



US00D832156S

(12) **United States Design Patent**
Johns

(10) **Patent No.:** **US D832,156 S**

(45) **Date of Patent:** **** Oct. 30, 2018**

(54) **TOW HOOK**

(71) Applicant: **Omix-ADA, Inc.**, Suwanee, GA (US)

(72) Inventor: **Taylor E. Johns**, Atlanta, GA (US)

(73) Assignee: **OMIX-ADA, INC.**, Suwanee, GA (US)

(**) Term: **15 Years**

(21) Appl. No.: **29/617,521**

(22) Filed: **Sep. 14, 2017**

(51) **LOC (11) Cl.** **12-16**

(52) **U.S. Cl.**

USPC **D12/162**; D8/367

(58) **Field of Classification Search**

USPC D12/159, 160, 161, 162, 400; D8/367,
D8/354, 349, 373, 372

CPC . B66C 1/125; B66C 1/34; F16B 21/00; F16B
21/186; F16B 45/02; F16B 45/06

See application file for complete search history.

(56) **References Cited**

U.S. PATENT DOCUMENTS

D341,117 S	11/1993	Sundstedt	
D355,585 S *	2/1995	Terada	D8/367
D368,246 S	3/1996	Hinnant et al.	
D583,654 S *	12/2008	Uehara	D8/367
D598,817 S *	8/2009	Najarro	D12/162
D633,417 S *	3/2011	Najarro	D12/162
D649,024 S *	11/2011	Takazakura	D8/367
D680,420 S *	4/2013	Ellis	D8/367
D699,098 S *	2/2014	Fretz	D8/367
D736,070 S *	8/2015	Kaneko	D8/367
D790,408 S	6/2017	Wymore et al.	
D794,516 S	8/2017	Siegel et al.	
9,958,001 B2 *	5/2018	Liu	F16B 45/06

2003/0051321 A1* 3/2003 Smith F16B 21/186
29/7

2006/0179784 A1* 8/2006 Chen F16B 21/00
52/698

2007/0176446 A1* 8/2007 Eising B66C 1/34
294/82.17

2008/0016659 A1* 1/2008 Peterson F16B 45/02
24/599.1

* cited by examiner

Primary Examiner — Susan E Krakower

Assistant Examiner — Jerry Shiuang-Hua Hsu

(74) *Attorney, Agent, or Firm* — The Dobrusin Law Firm,
P.C.; Daniel P. Aleksynas

(57) **CLAIM**

The ornamental design for a tow hook, as shown and described.

DESCRIPTION

FIG. 1 is a left front perspective view of a tow hook showing my new design.

FIG. 2 is a left side elevational view thereof.

FIG. 3 is a top plan view thereof.

FIG. 4 is a bottom plan view thereof.

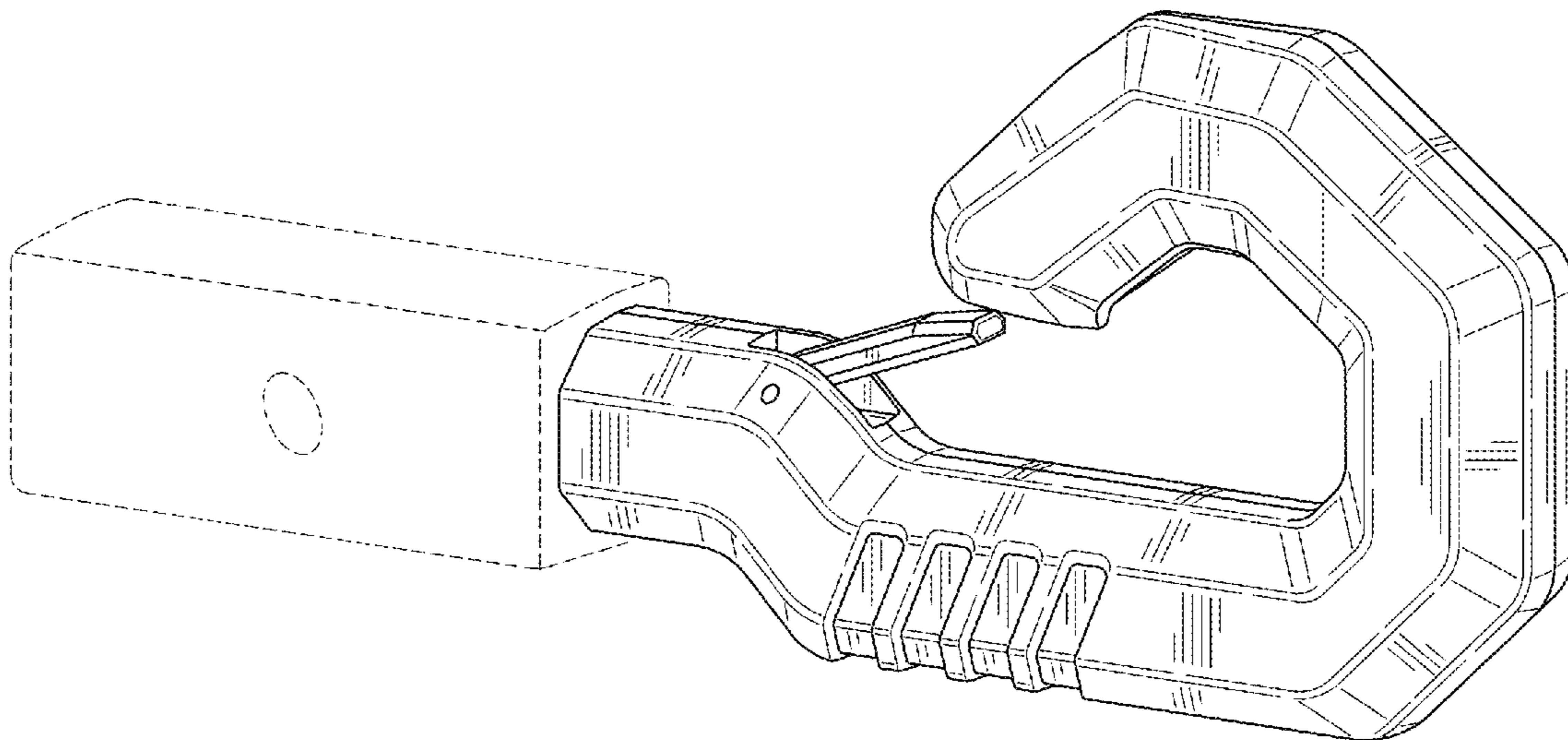
FIG. 5 is a front elevational view thereof.

FIG. 6 is a rear elevational view thereof; and,

FIG. 7 is a perspective view showing the tow hook mounted in a position of use.

The broken lines shown in FIGS. 1-6 illustrate portions of the tow hook that form no part of the claimed design. The remaining broken lines in FIG. 7 illustrate environmental matter that forms no part of the claimed design.

1 Claim, 4 Drawing Sheets



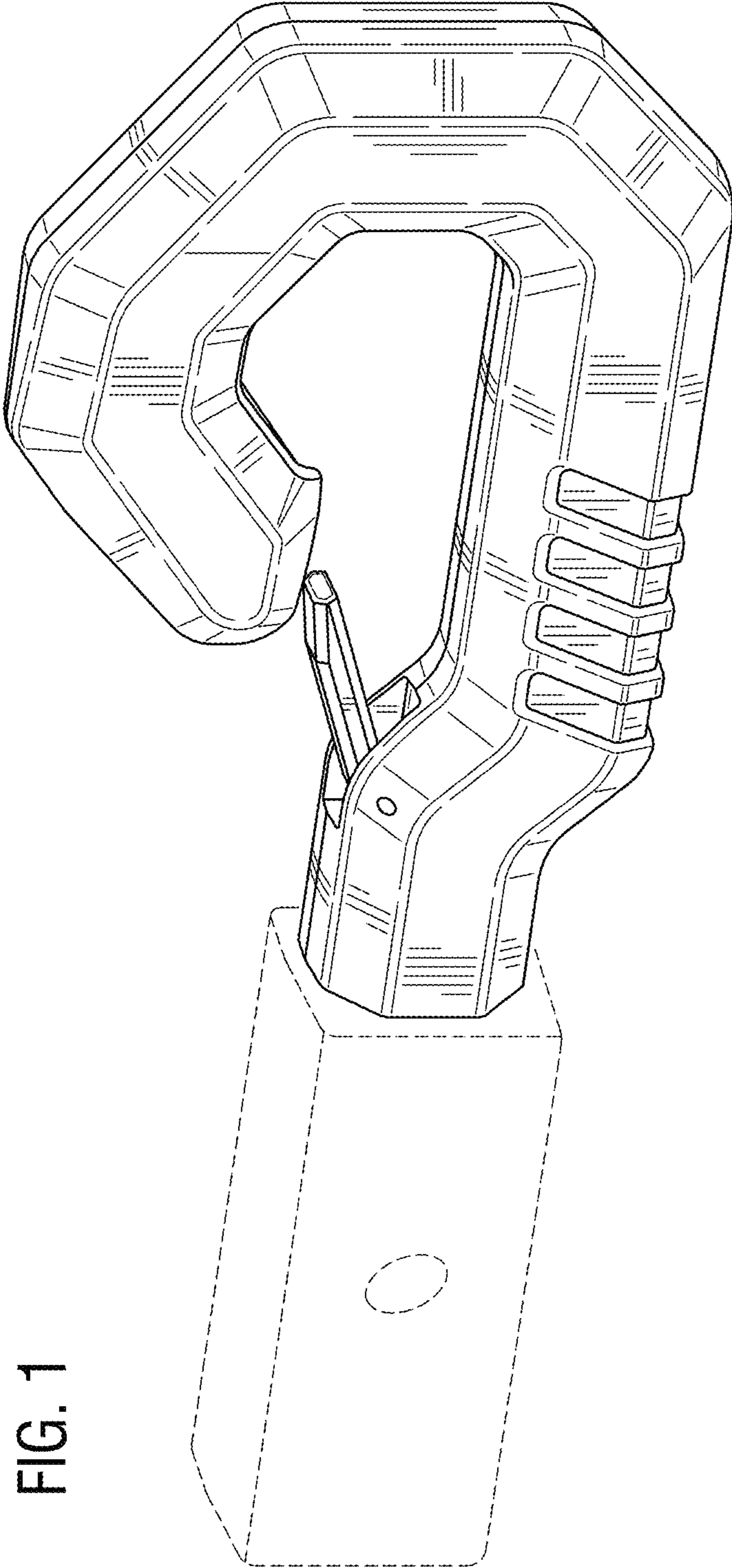


FIG. 1

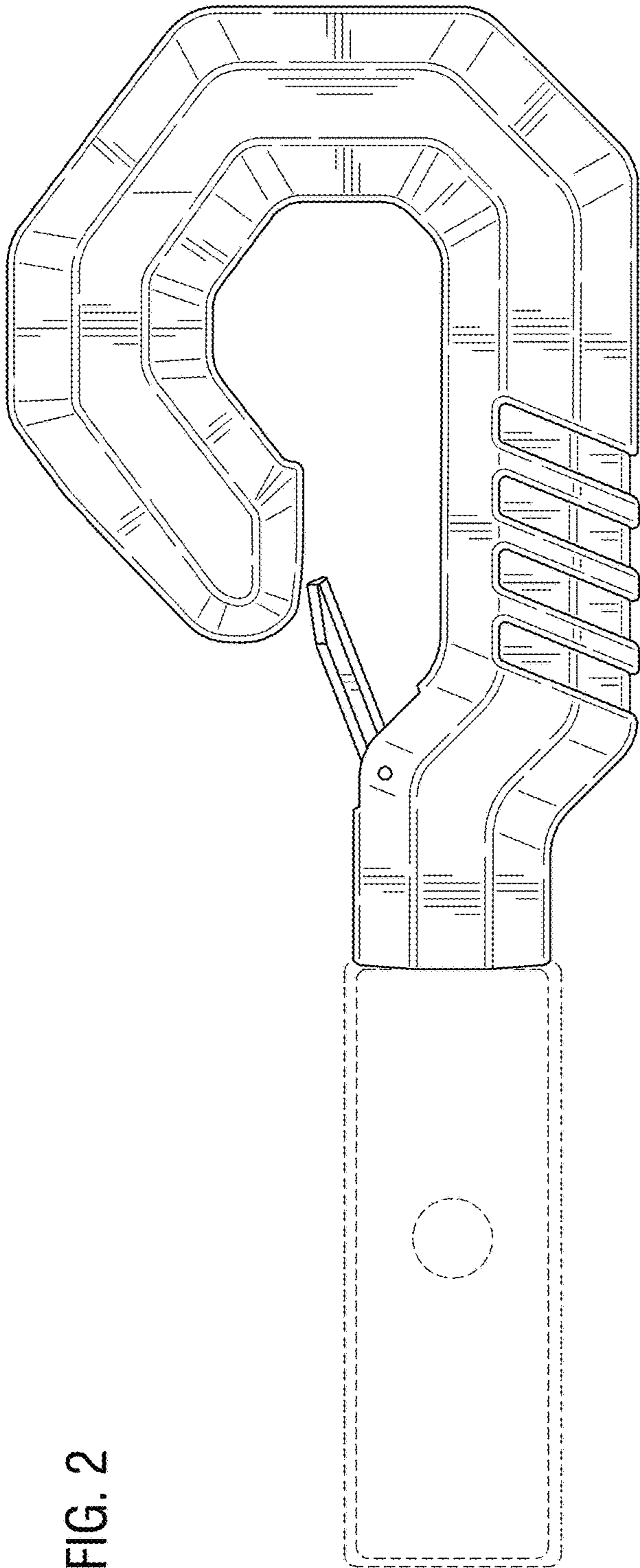


FIG. 2

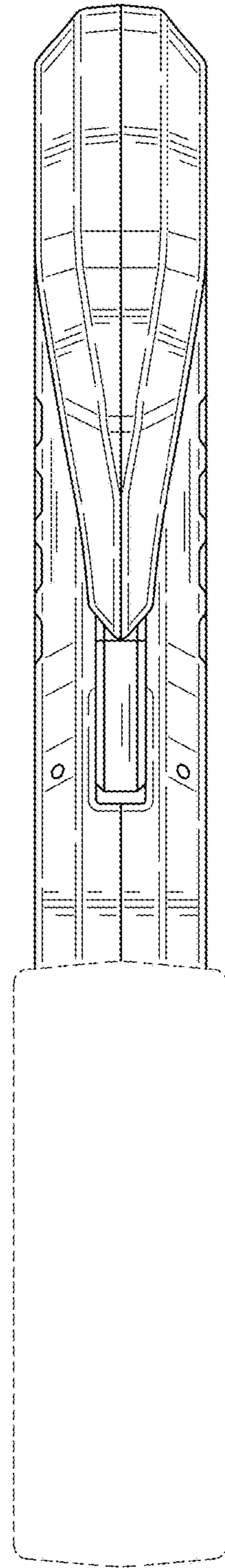


FIG. 3

FIG. 4

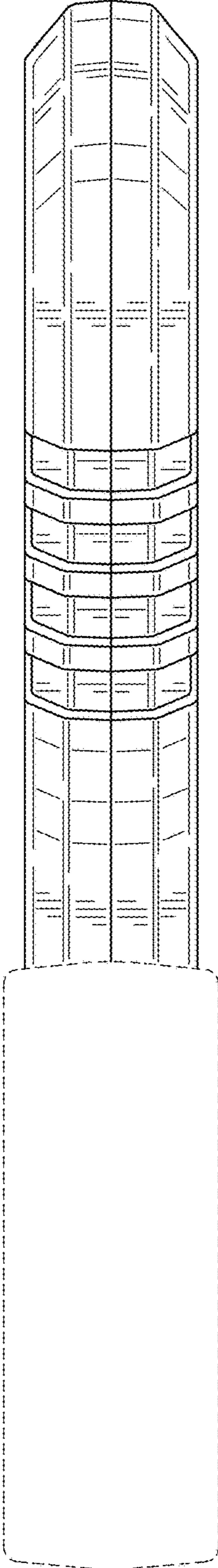


FIG. 5

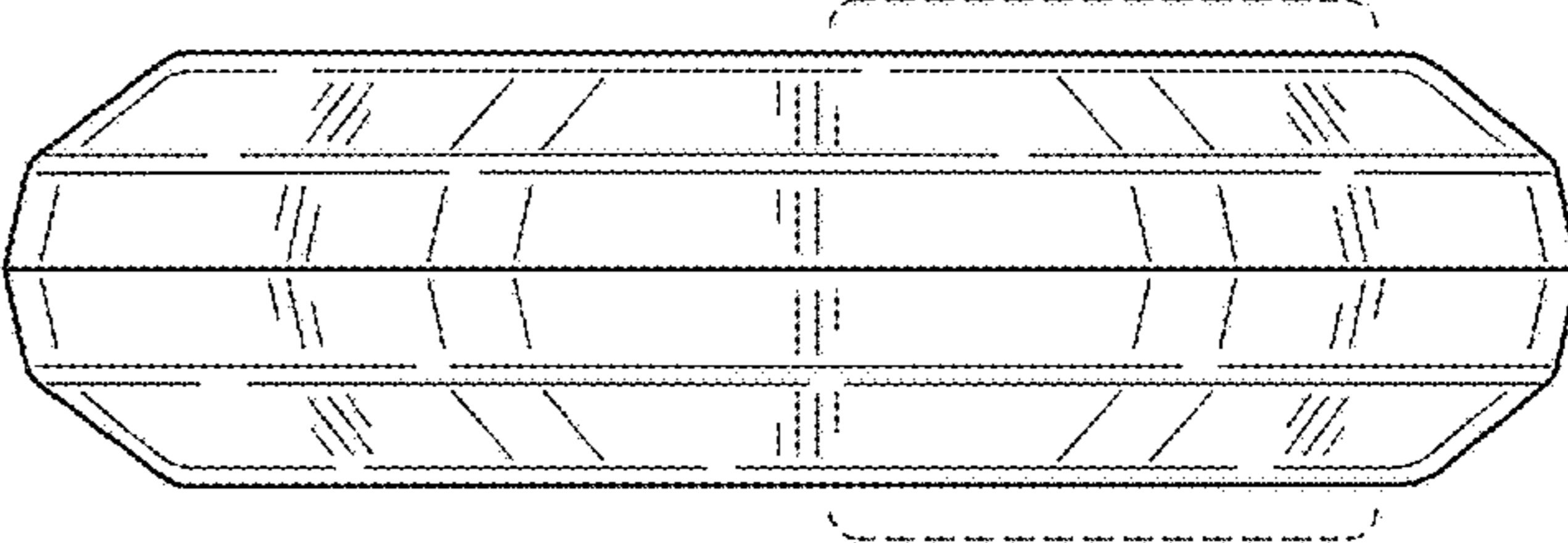
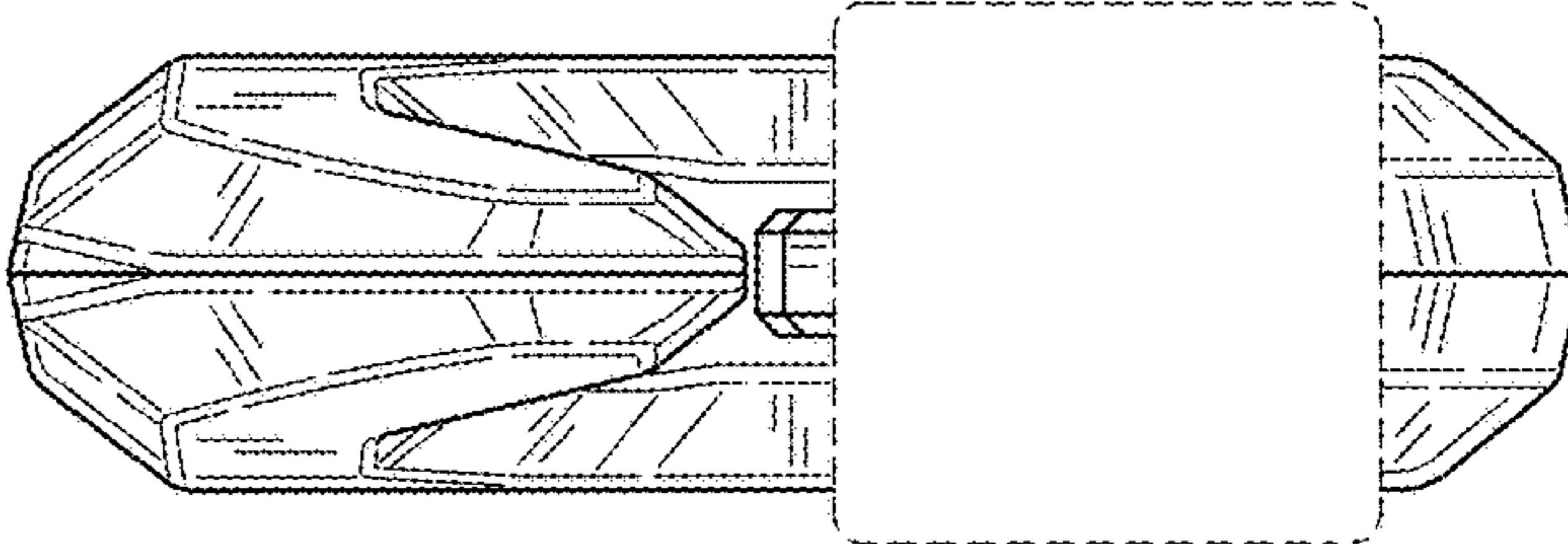


FIG. 6



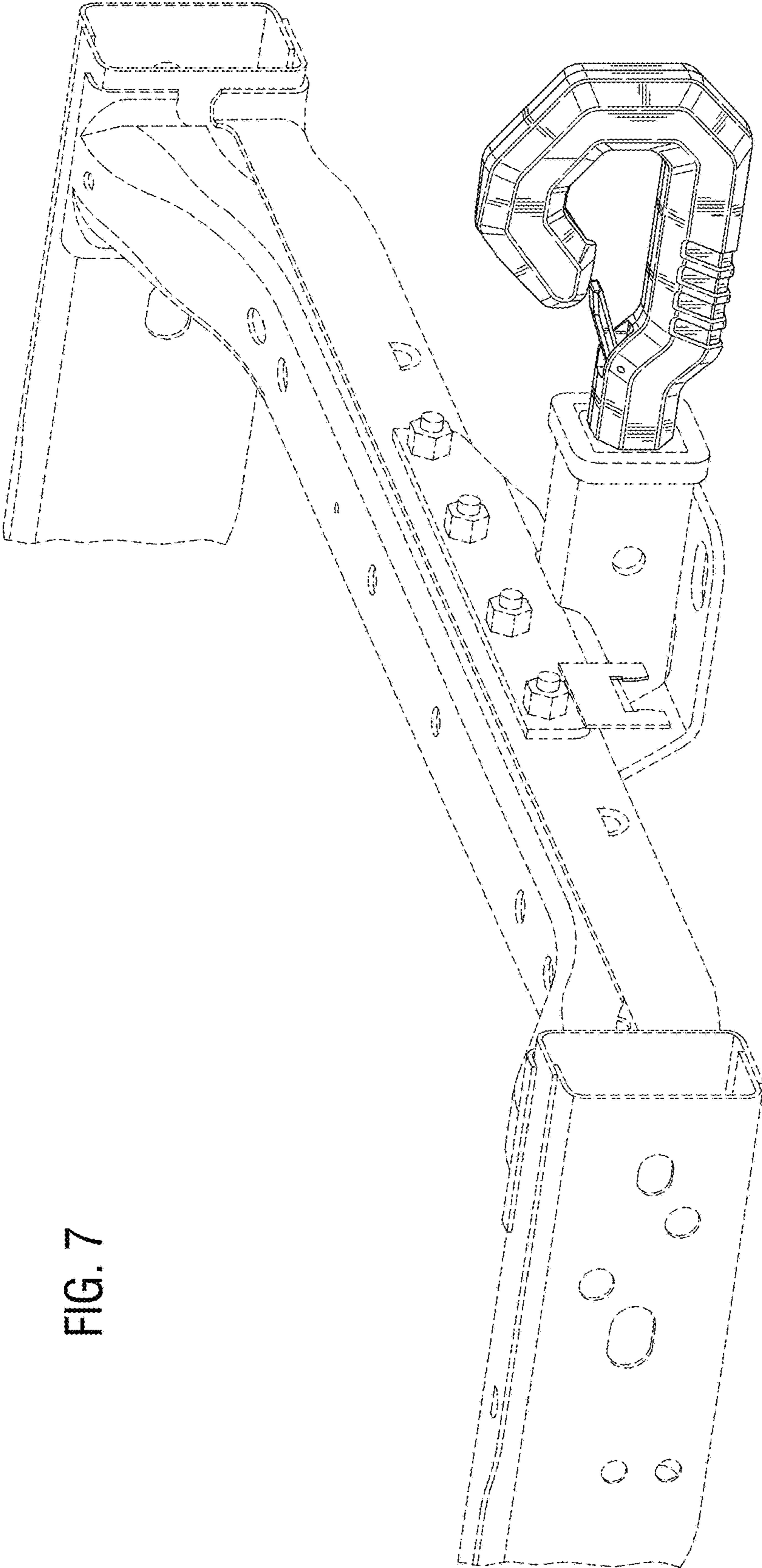


FIG. 7