



US00D832155S

(12) **United States Design Patent** (10) **Patent No.:** **US D832,155 S**
Siegel et al. (45) **Date of Patent:** **** Oct. 30, 2018**

- (54) **CARABINEER TOW HOOK**
- (71) Applicant: **Horizon Global Americas Inc.**,
Plymouth, MI (US)
- (72) Inventors: **Theodore Joseph Siegel**, Mayfield
Heights, OH (US); **Eric Michael
Yukich**, Stow, OH (US)
- (73) Assignee: **HORIZON GLOBAL AMERICAS
INC.**, Plymouth, MI (US)

- D399,127 S * 10/1998 Messer D8/367
- D402,602 S 12/1998 Niswanger
- D439,138 S 3/2001 Abernathy
- D458,831 S 6/2002 Selby
- 6,712,379 B2 3/2004 Graham
- D502,089 S * 2/2005 Hung D8/367
- D583,654 S 12/2008 Uehara
- D598,817 S * 8/2009 Najarro D12/162
- D633,417 S 3/2011 Najarro
- D649,024 S * 11/2011 Takazakura D8/367
- D656,868 S * 4/2012 Jansen, III D12/162
- D661,177 S * 6/2012 Kobayashi D8/356

(Continued)

(**) Term: **15 Years**

(21) Appl. No.: **29/608,888**

(22) Filed: **Jun. 27, 2017**

Related U.S. Application Data

- (62) Division of application No. 29/569,629, filed on Jun. 29, 2016, now Pat. No. Des. 794,516.
- (51) **LOC (11) Cl.** **12-16**
- (52) **U.S. Cl.**
USPC **D12/162**
- (58) **Field of Classification Search**
USPC D12/159, 160, 161, 162, 203, 223, 400;
D8/356, 367
CPC F16B 21/186; F16B 21/00; F16B 45/00;
F16B 45/02; B66C 1/36
See application file for complete search history.

(56) **References Cited**

U.S. PATENT DOCUMENTS

- 3,575,458 A 4/1971 Crook
- 3,912,318 A 10/1975 Engh
- 4,121,867 A * 10/1978 Muller B66C 1/36
294/82.17
- 4,858,977 A 8/1989 Mitchell
- 5,000,108 A 3/1991 Wagner
- D368,246 S 3/1996 Hinnant

OTHER PUBLICATIONS

Tractorsupply.com. "Reese Towpower Carabiner Tow Hook." Retrieved Feb. 14, 2017. (<http://www.tractorsupply.com/tsc/product/reesetowpowercarabinertowhook>).

(Continued)

Primary Examiner — Karen S Acker

Assistant Examiner — Jerry Shiuang-Hua Hsu

(74) *Attorney, Agent, or Firm* — McDonald Hopkins LLC

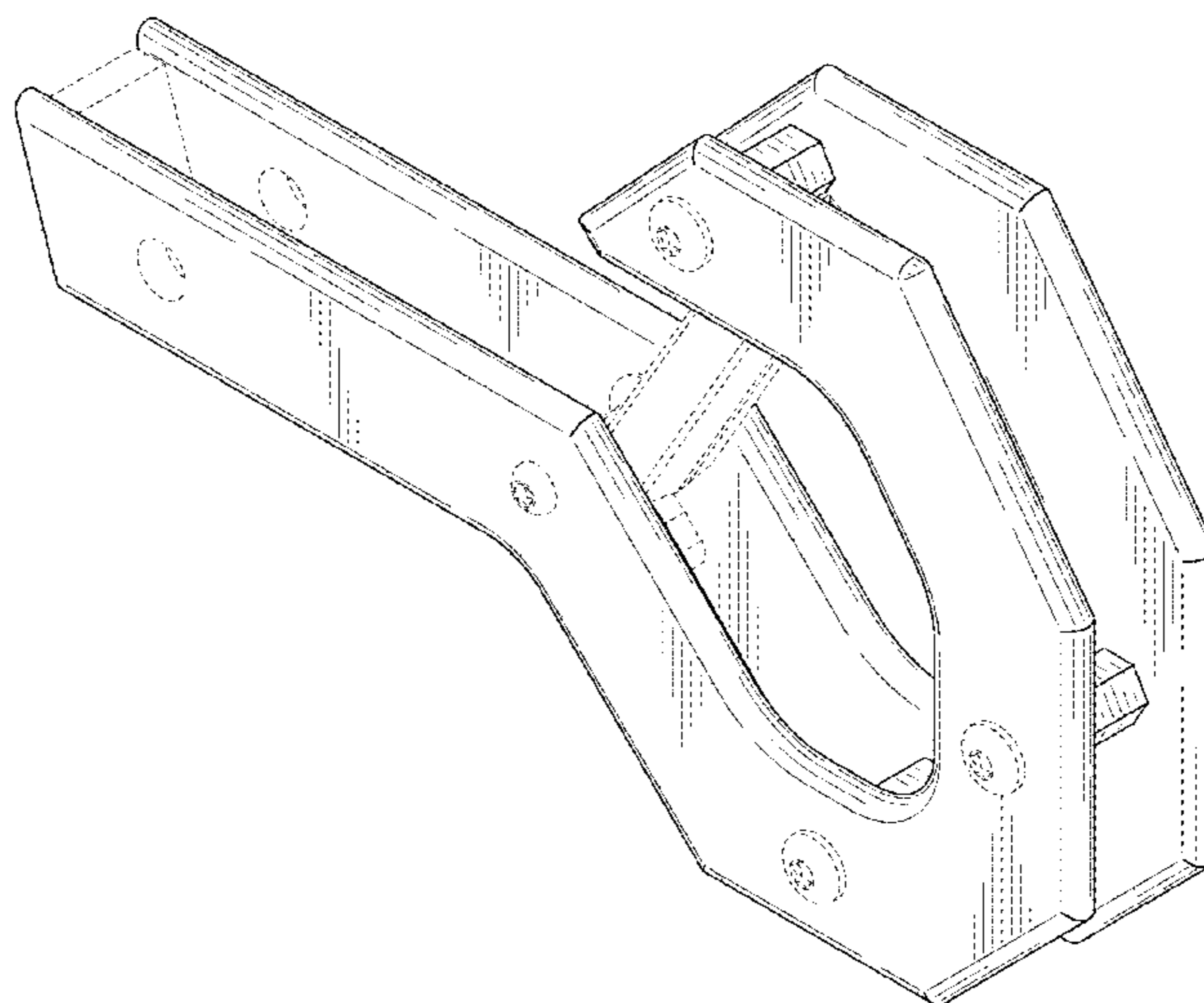
(57) **CLAIM**

The ornamental design for a carabineer tow hook, as shown and described.

DESCRIPTION

FIG. 1 is a perspective view of a carabineer tow hook showing our new design;
FIG. 2 is a front side view thereof;
FIG. 3 is a back side view thereof;
FIG. 4 is a first side view thereof;
FIG. 5 is a second side view thereof;
FIG. 6 is a top view thereof; and,
FIG. 7 is a bottom view thereof.
The broken lines illustrate portions of a carabineer tow hook that form no part of the claimed design.

1 Claim, 5 Drawing Sheets



(56)

References Cited

U.S. PATENT DOCUMENTS

8,752,254 B2 * 6/2014 Perner F16B 45/02
24/599.5
D744,911 S 12/2015 Najarro
9,394,935 B2 * 7/2016 Knox F16B 45/00
D794,516 S * 8/2017 Siegel D12/162
2002/0152593 A1 * 10/2002 Hong F16B 45/02
24/599.1
2003/0051321 A1 * 3/2003 Smith F16B 21/186
29/7
2005/0017527 A1 1/2005 Smetz
2006/0179784 A1 * 8/2006 Chen F16B 21/00
52/698

OTHER PUBLICATIONS

Amazon.com. "RBP 990001 Universal Grappler Tow Hook Hitch Step." First reviewed Jul. 29, 2013. Retrieved Mar. 15, 2017. (<https://www.amazon.com/RBP990001UniversalGrapplerHitch/dp/B008CLM0AM>).

* cited by examiner

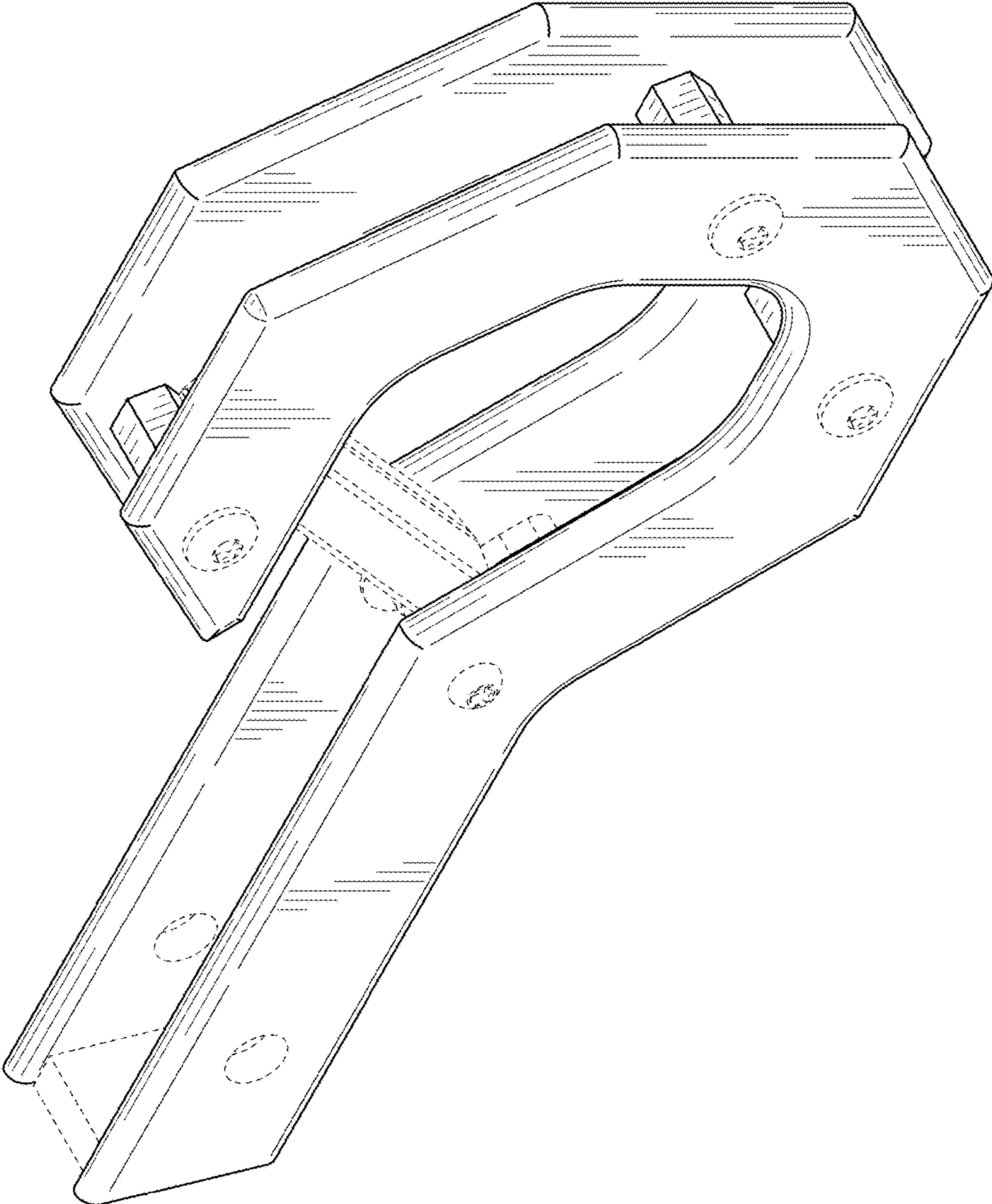


FIG. 1

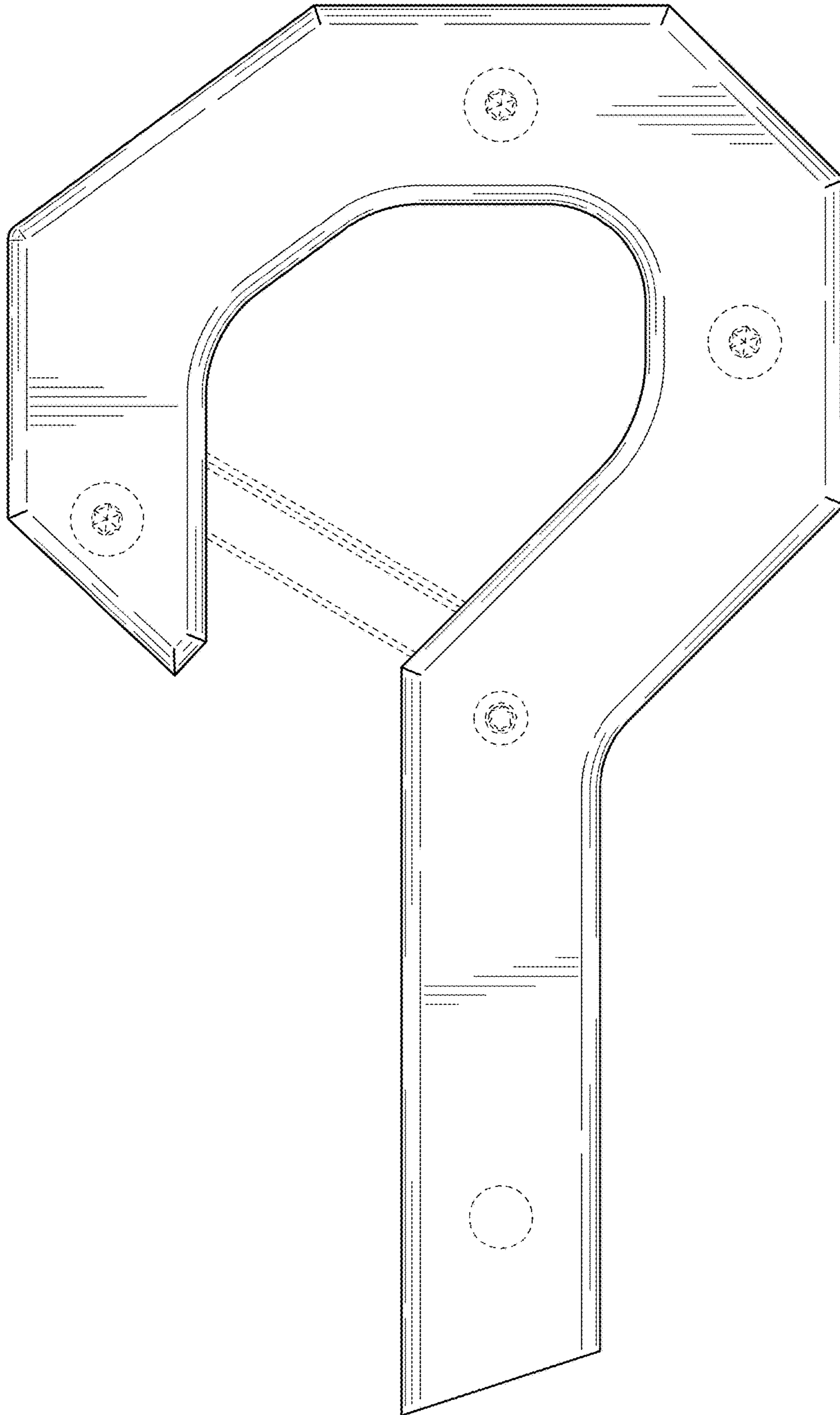


FIG. 2

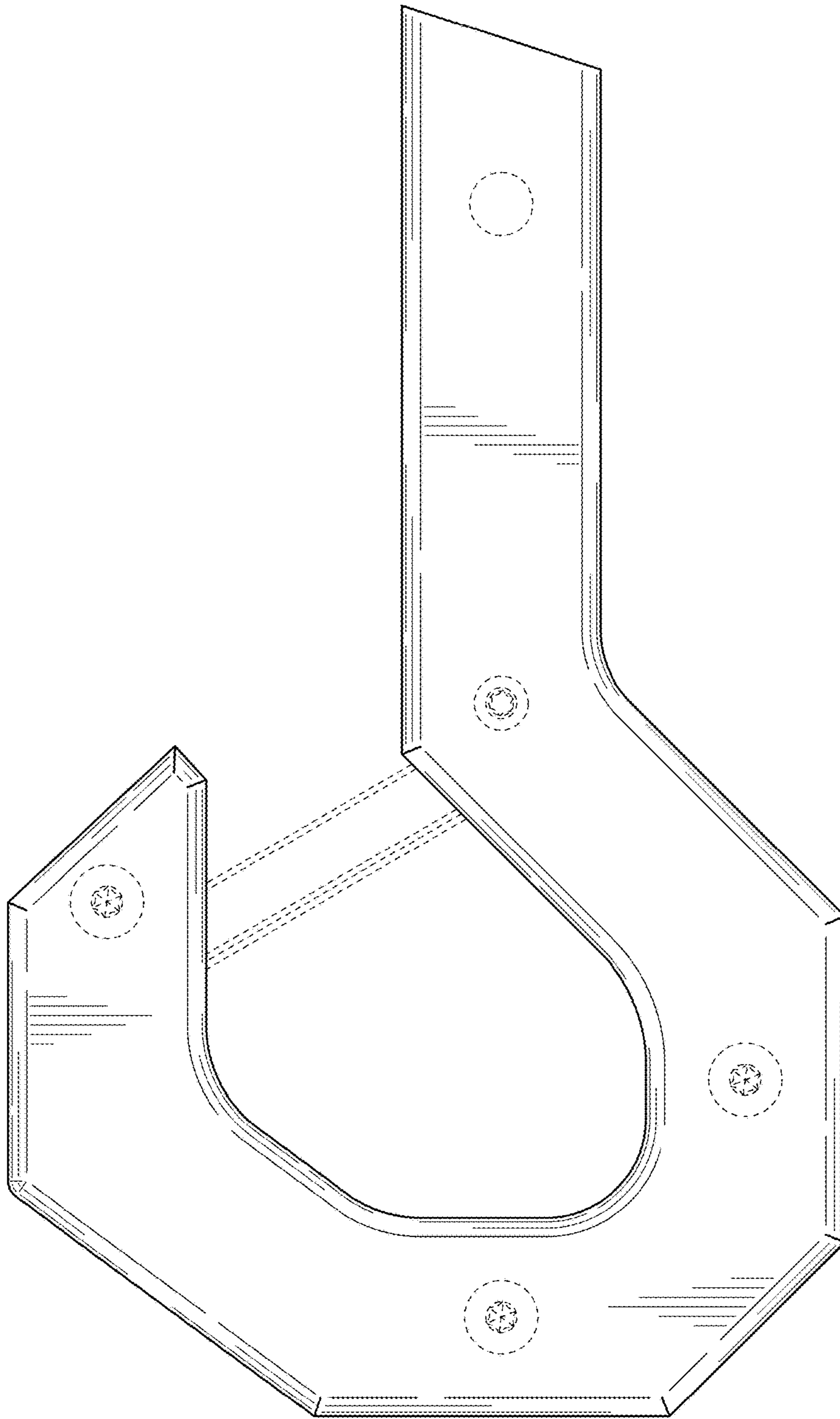


FIG. 3

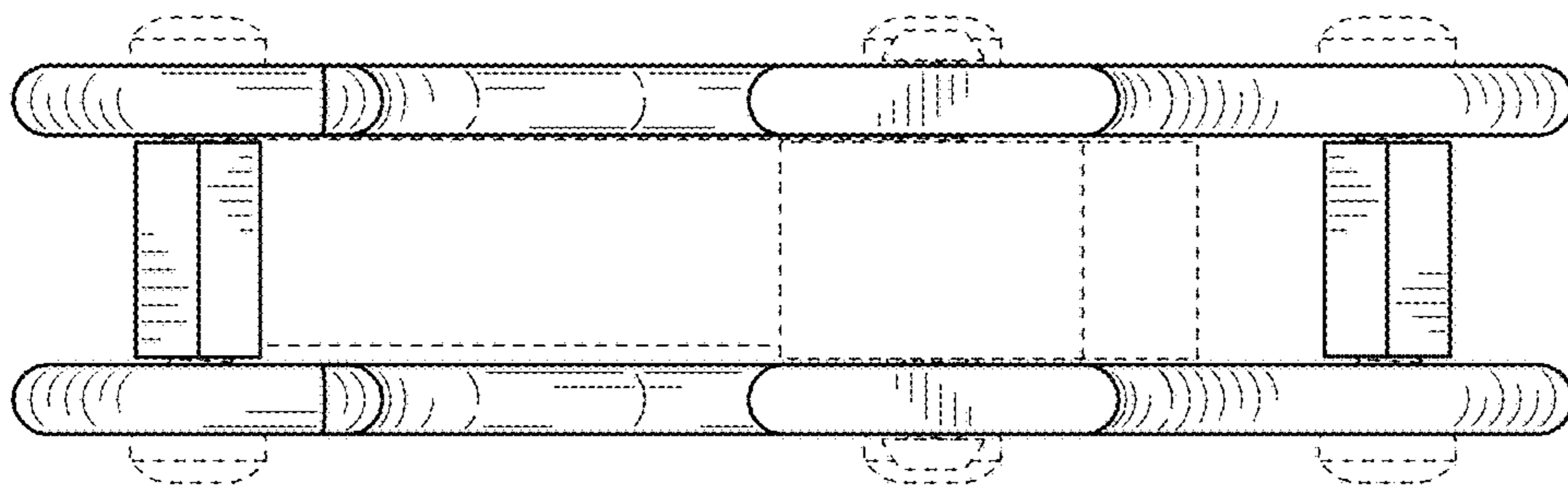


FIG. 5

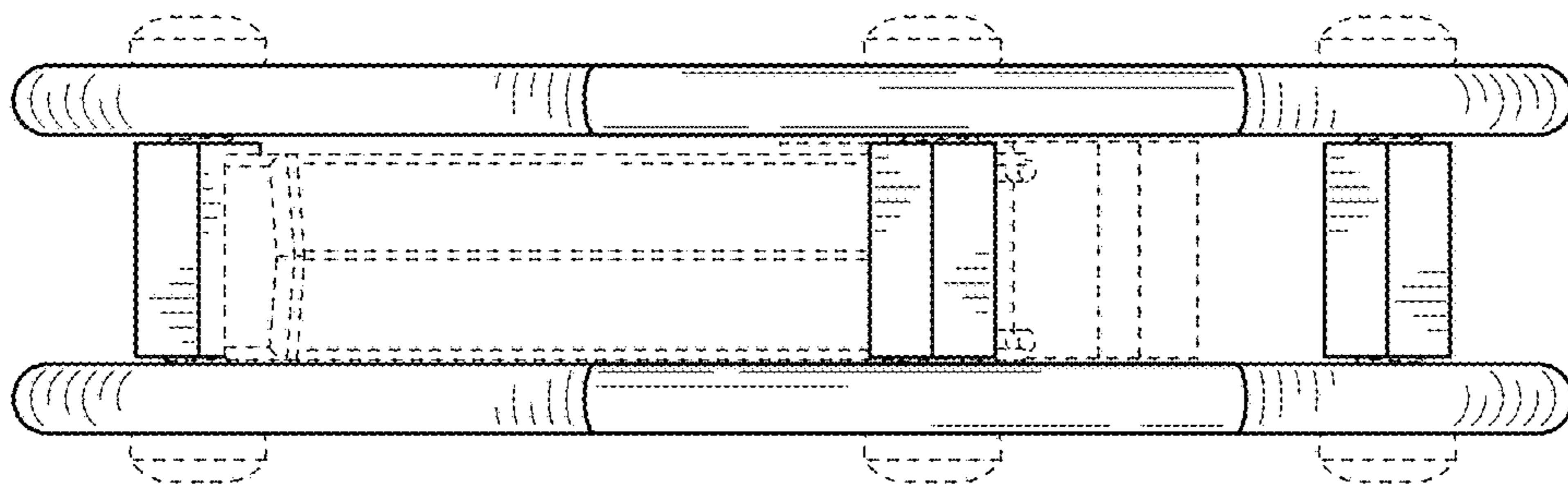


FIG. 4

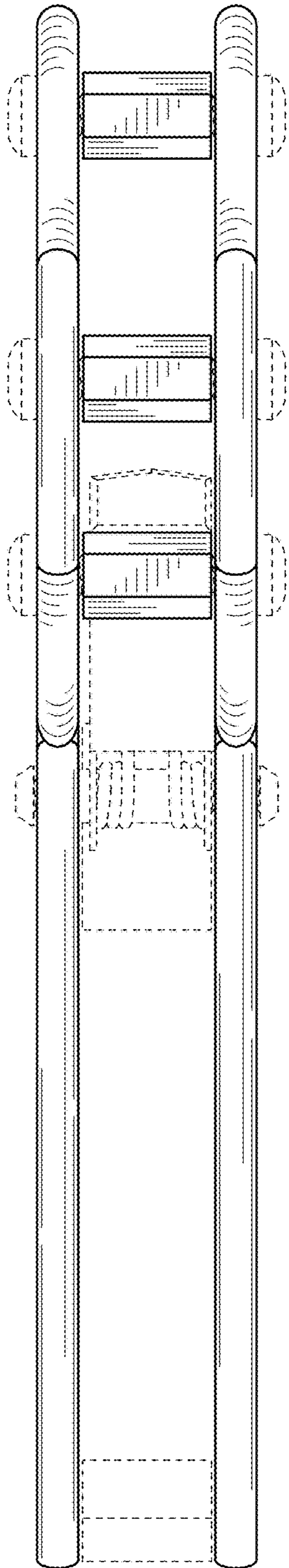


FIG. 6

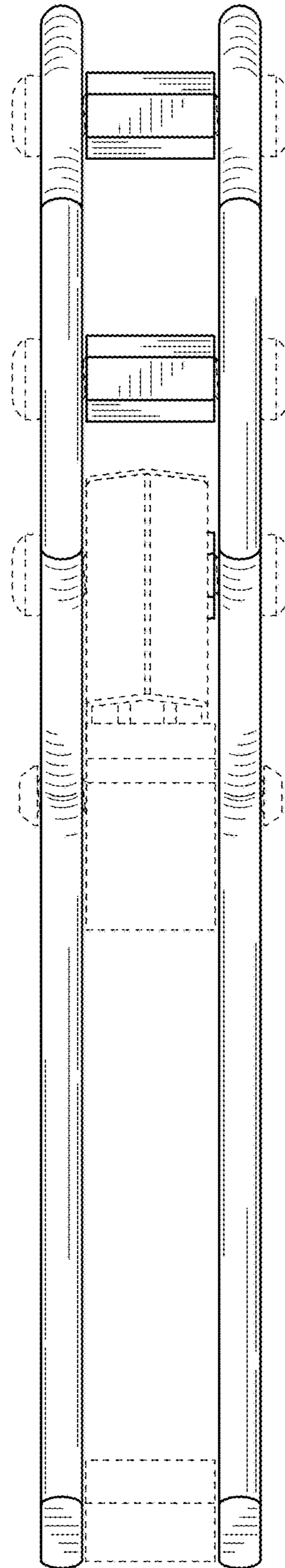


FIG. 7