



US00D832153S

(12) **United States Design Patent** (10) **Patent No.:** **US D832,153 S**
Sasai et al. (45) **Date of Patent:** **** Oct. 30, 2018**

(54) **ELECTRIC WHEELCHAIR**

(56) **References Cited**

(71) Applicant: **Panasonic Intellectual Property Management Co., Ltd.**, Osaka-shi, Osaka (JP)

(72) Inventors: **Hiroyuki Sasai**, Osaka (JP); **Takeshi Ando**, Kyoto (JP); **Noriaki Imaoka**, Osaka (JP); **Hiroyuki Uematsu**, Osaka (JP); **Duyhinh Nguyen**, Osaka (JP); **Mizuho Sakakibara**, Tokyo (JP); **Shohei Nakashioya**, Tokyo (JP)

U.S. PATENT DOCUMENTS

D673,083	S	*	12/2012	Daff	D12/133
D730,250	S	*	5/2015	Lodato	D12/128
D743,305	S	*	11/2015	Childs	D12/133
D744,380	S	*	12/2015	Cheng	B62B 3/02 D12/128
D769,775	S	*	10/2016	Sugie	D12/131
D788,652	S	*	6/2017	Mutsuro	D12/131
D789,256	S	*	6/2017	Kutsch	D12/131
D801,234	S	*	10/2017	Elon	D12/133
2013/0140783	A1	*	6/2013	Paul	A47C 7/62 280/47.38

(73) Assignee: **PANASONIC INTELLECTUAL PROPERTY MANAGEMENT CO., LTD.**, Osaka (JP)

* cited by examiner

Primary Examiner — Charles D Hanson

(74) *Attorney, Agent, or Firm* — Brinks Gilson & Lione

(**) Term: **15 Years**

(57) **CLAIM**

(21) Appl. No.: **29/612,129**

We claim the ornamental design for an electric wheelchair, as shown and described.

(22) Filed: **Jul. 28, 2017**

DESCRIPTION

(30) **Foreign Application Priority Data**

Jan. 31, 2017 (JP) 2017-001669

(51) **LOC (11) Cl.** **12-12**

(52) **U.S. Cl.**
USPC **D12/133**

(58) **Field of Classification Search**
USPC D12/128-133
CPC A61G 5/04; A61G 5/041-5/047; A61G 2005/048

FIG. 1 is a front and top perspective view of an electric wheelchair of the present invention;
 FIG. 2 is a front view thereof;
 FIG. 3 is a rear view thereof;
 FIG. 4 is a left side view thereof;
 FIG. 5 is a right side view thereof;
 FIG. 6 is a top view thereof; and,
 FIG. 7 is a bottom view thereof.

The broken lines shown represent unclaimed subject matter and form no part of the claimed design.

See application file for complete search history.

1 Claim, 7 Drawing Sheets

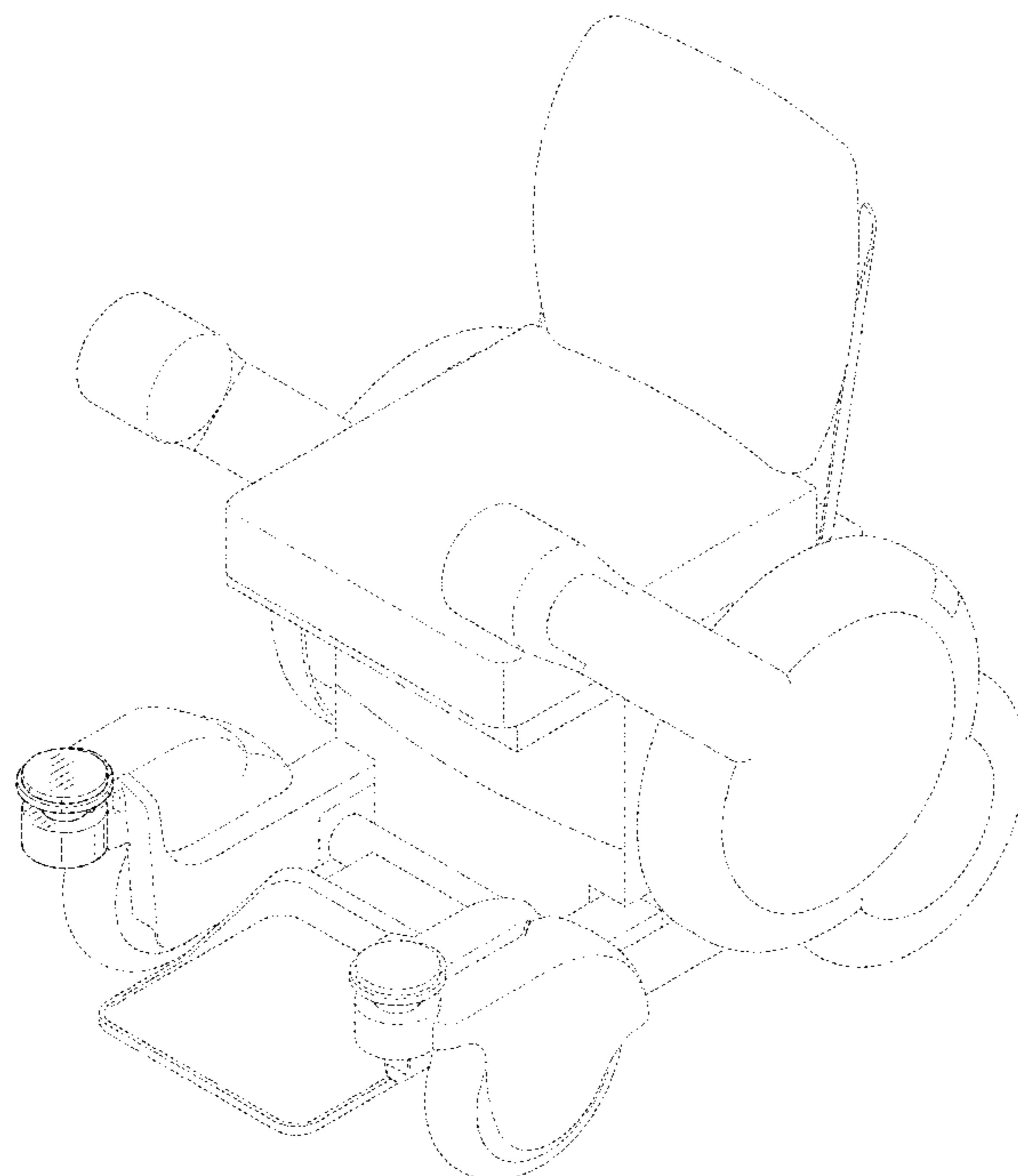


FIG. 1

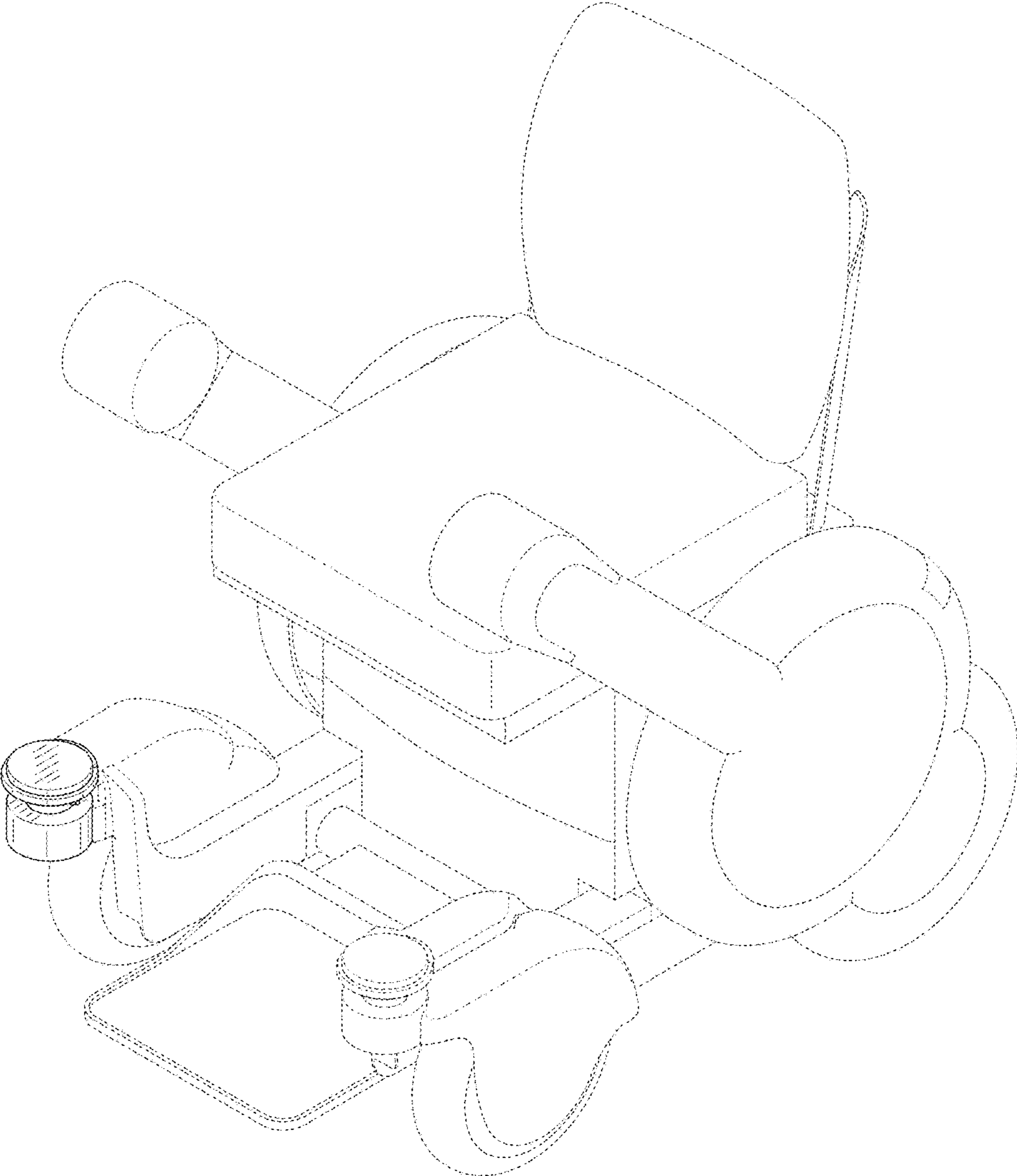


FIG. 2

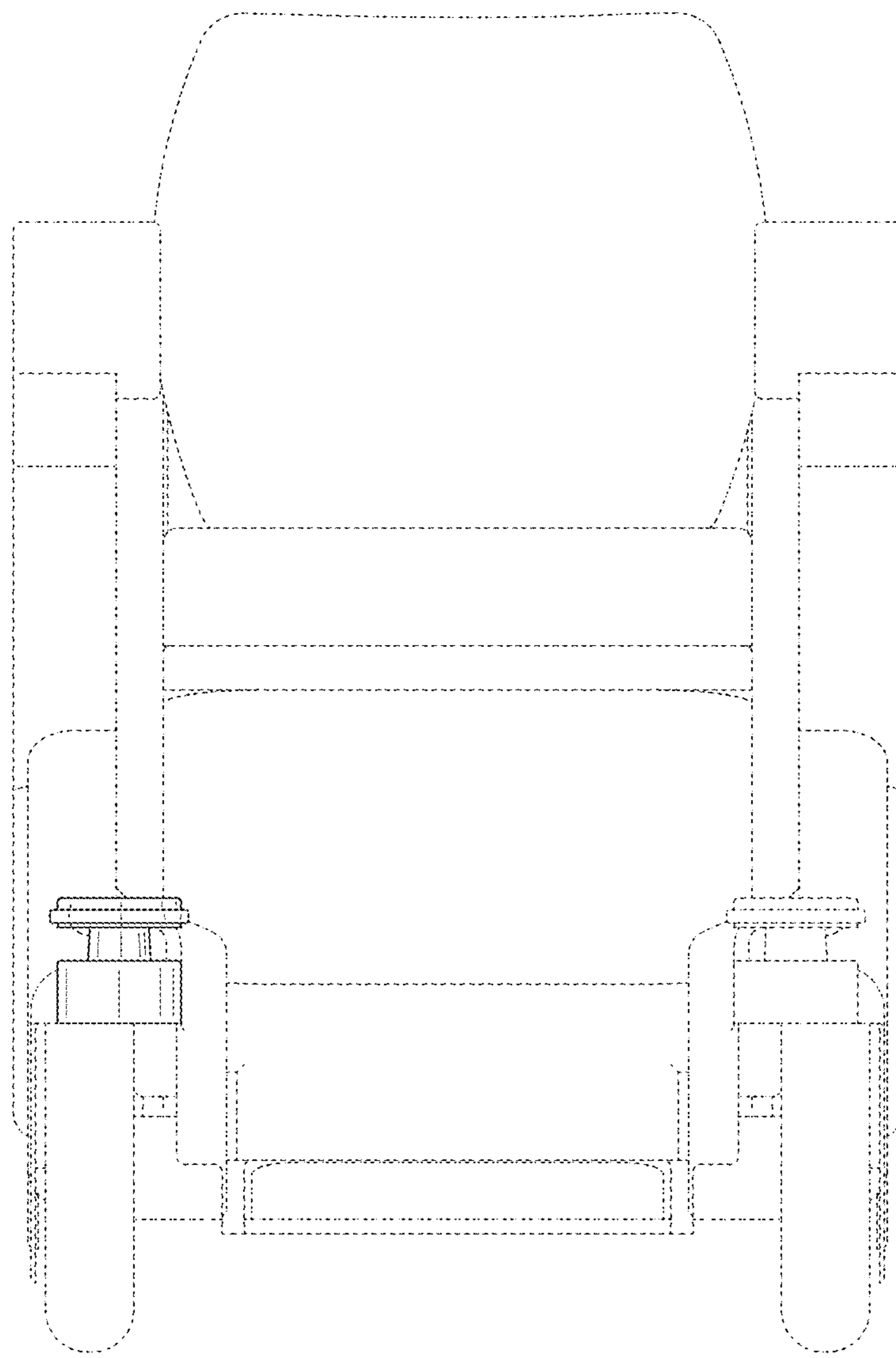


FIG. 3

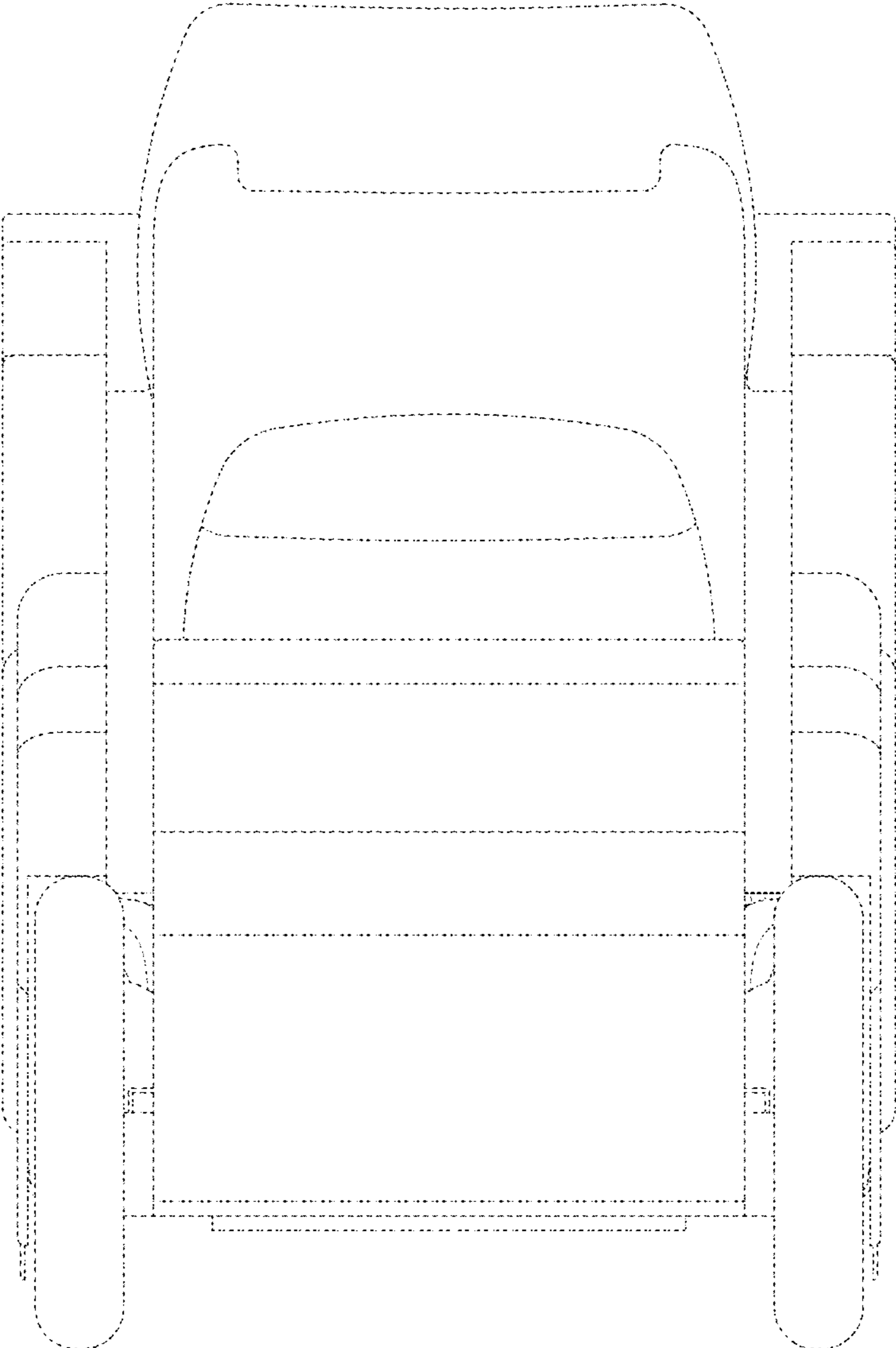


FIG. 4

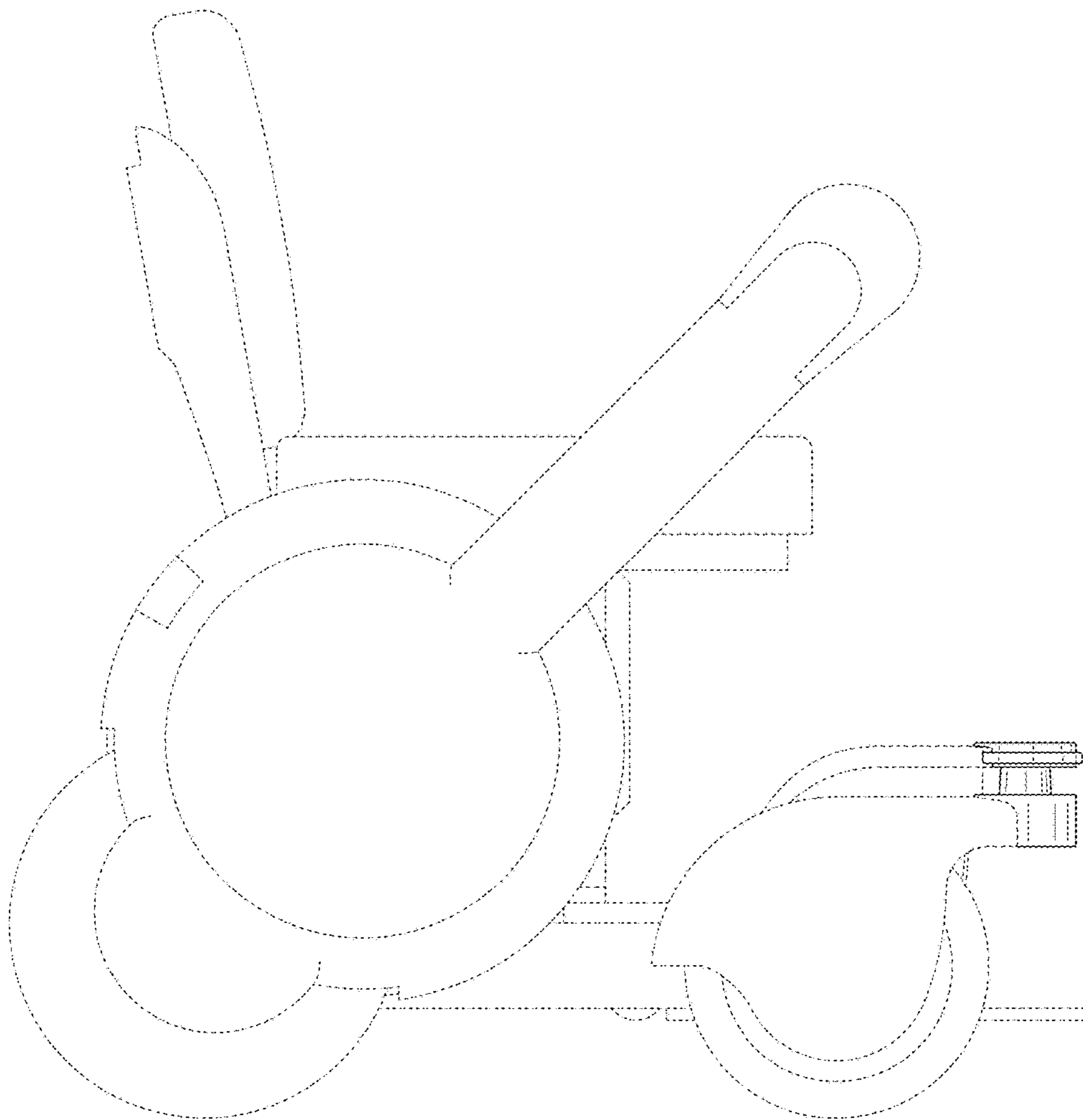


FIG. 5

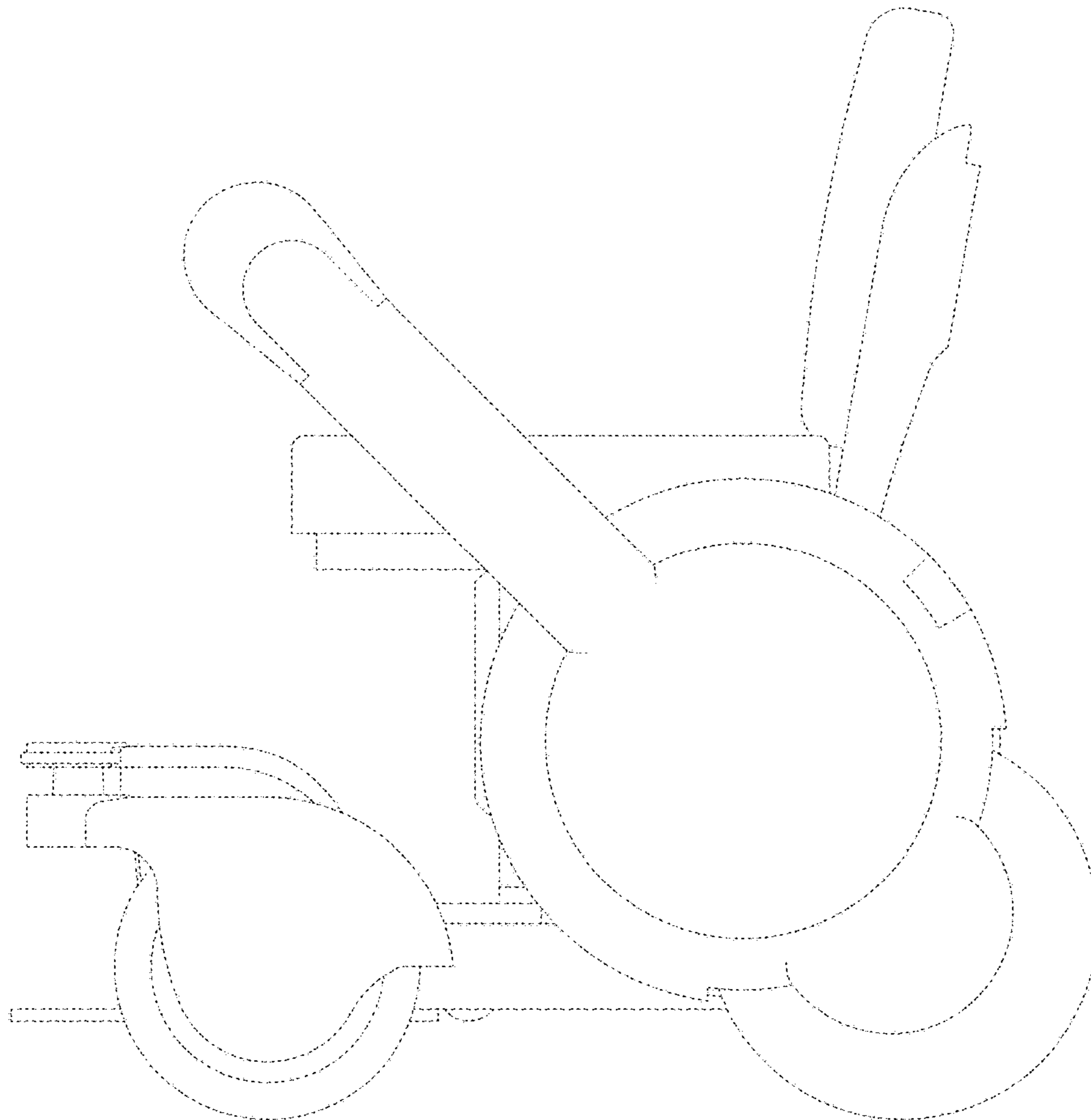


FIG. 6

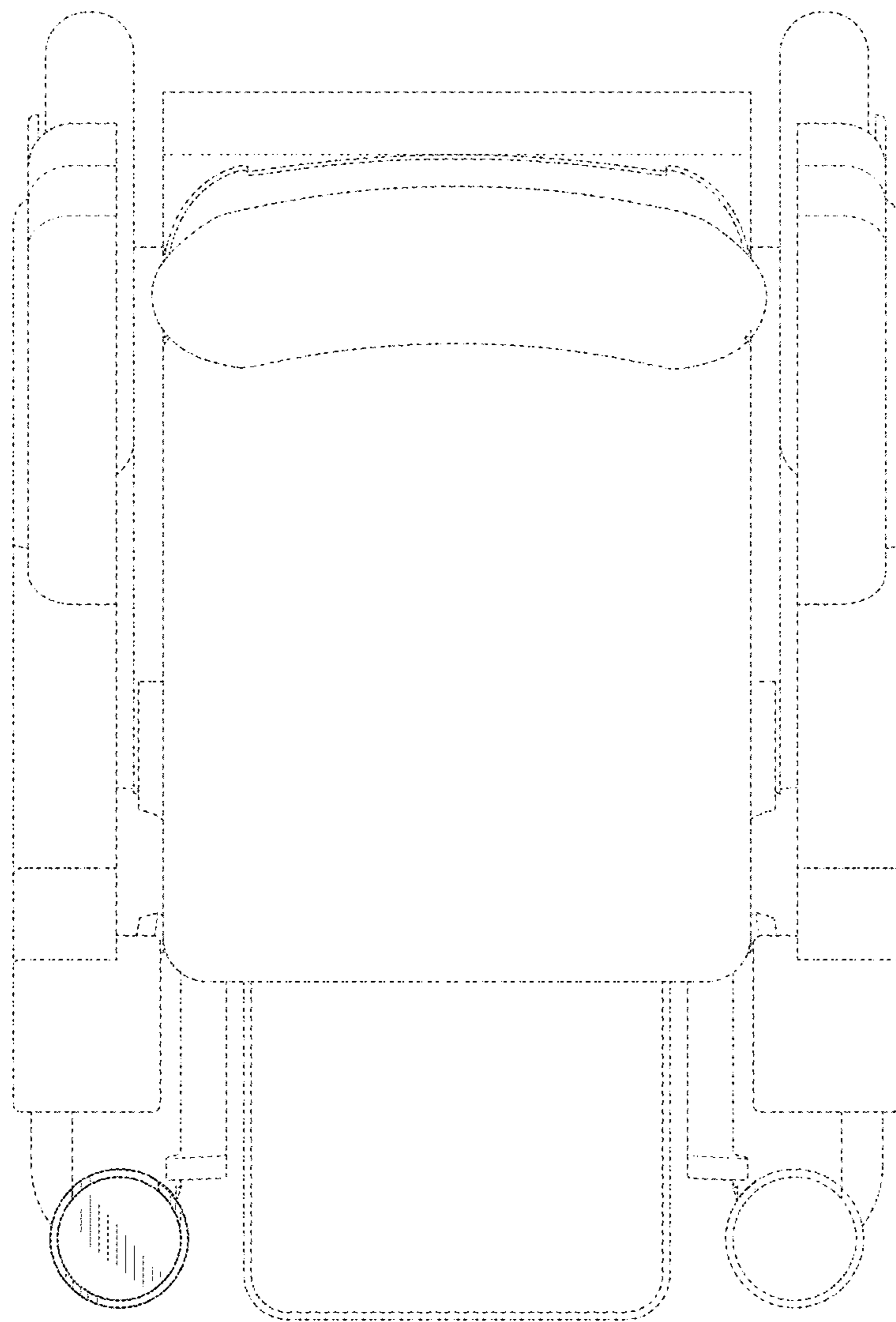


FIG. 7

