



US00D832152S

(12) **United States Design Patent** (10) **Patent No.:** **US D832,152 S**  
**Sasai et al.** (45) **Date of Patent:** **\*\* Oct. 30, 2018**

(54) **ELECTRIC WHEELCHAIR** D744,380 S \* 12/2015 Cheng ..... B62B 3/02  
D12/128  
(71) Applicant: **Panasonic Intellectual Property** D769,775 S \* 10/2016 Sugie ..... D12/131  
**Management Co., Ltd.,** Osaka-shi, D788,652 S \* 6/2017 Mutsuro ..... D12/131  
Osaka (JP) D789,256 S \* 6/2017 Kutsch ..... D12/131  
D801,234 S \* 10/2017 Elon ..... D12/133  
(72) Inventors: **Hiroyuki Sasai,** Osaka (JP); **Takeshi** 2013/0140783 A1\* 6/2013 Paul ..... A47C 7/62  
**Ando,** Kyoto (JP); **Hiroyuki Uematsu,** 280/47.38  
Osaka (JP); **Noriaki Imaoka,** Osaka  
(JP); **Duyhinh Nguyen,** Osaka (JP);  
**Mizuho Sakakibara,** Tokyo (JP);  
**Shohei Nakashioya,** Tokyo (JP)

\* cited by examiner

*Primary Examiner* — Charles D Hanson

(74) *Attorney, Agent, or Firm* — Brinks Gilson & Lione

(73) Assignee: **PANASONIC INTELLECTUAL**  
**PROPERTY MANAGEMENT CO.,**  
**LTD.,** Osaka (JP)

(57) **CLAIM**

(\*\*) Term: **15 Years**

We claim the ornamental design for an electric wheelchair,  
as shown and described.

(21) Appl. No.: **29/612,130**

(22) Filed: **Jul. 28, 2017**

**DESCRIPTION**

(30) **Foreign Application Priority Data**

Jan. 31, 2017 (JP) ..... 2017-001670

(51) **LOC (11) Cl.** ..... **12-12**

(52) **U.S. Cl.**  
USPC ..... **D12/131**

(58) **Field of Classification Search**  
USPC ..... D12/128-133  
CPC ..... A61G 5/04; A61G 5/041-5/047; A61G  
2005/048  
See application file for complete search history.

FIG. 1 is a front and top perspective view of an electric  
wheelchair of the present invention;  
FIG. 2 is a front view thereof;  
FIG. 3 is a rear view thereof;  
FIG. 4 is a left side view thereof;  
FIG. 5 is a right side view thereof;  
FIG. 6 is a top view thereof; and,  
FIG. 7 is a bottom view thereof.

The broken lines shown represent unclaimed subject matter  
and form no part of the claimed design. Additionally, the  
unevenly broken lines in the drawings define the limits of the  
claimed design.

(56) **References Cited**

**U.S. PATENT DOCUMENTS**

D673,083 S \* 12/2012 Daff ..... D12/133  
D730,250 S \* 5/2015 Lodato ..... D12/128  
D743,305 S \* 11/2015 Childs ..... D12/133

**1 Claim, 7 Drawing Sheets**

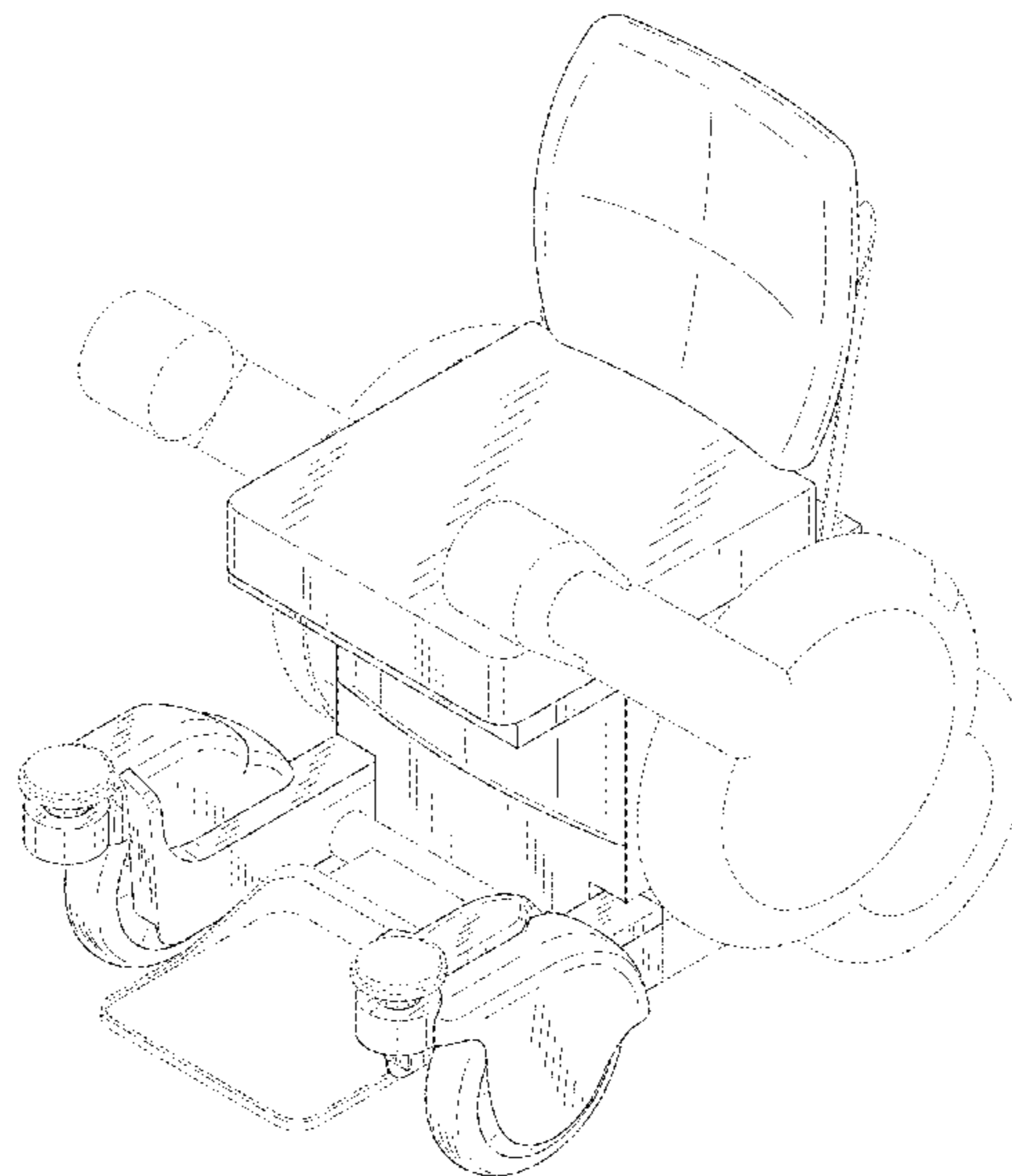


FIG. 1

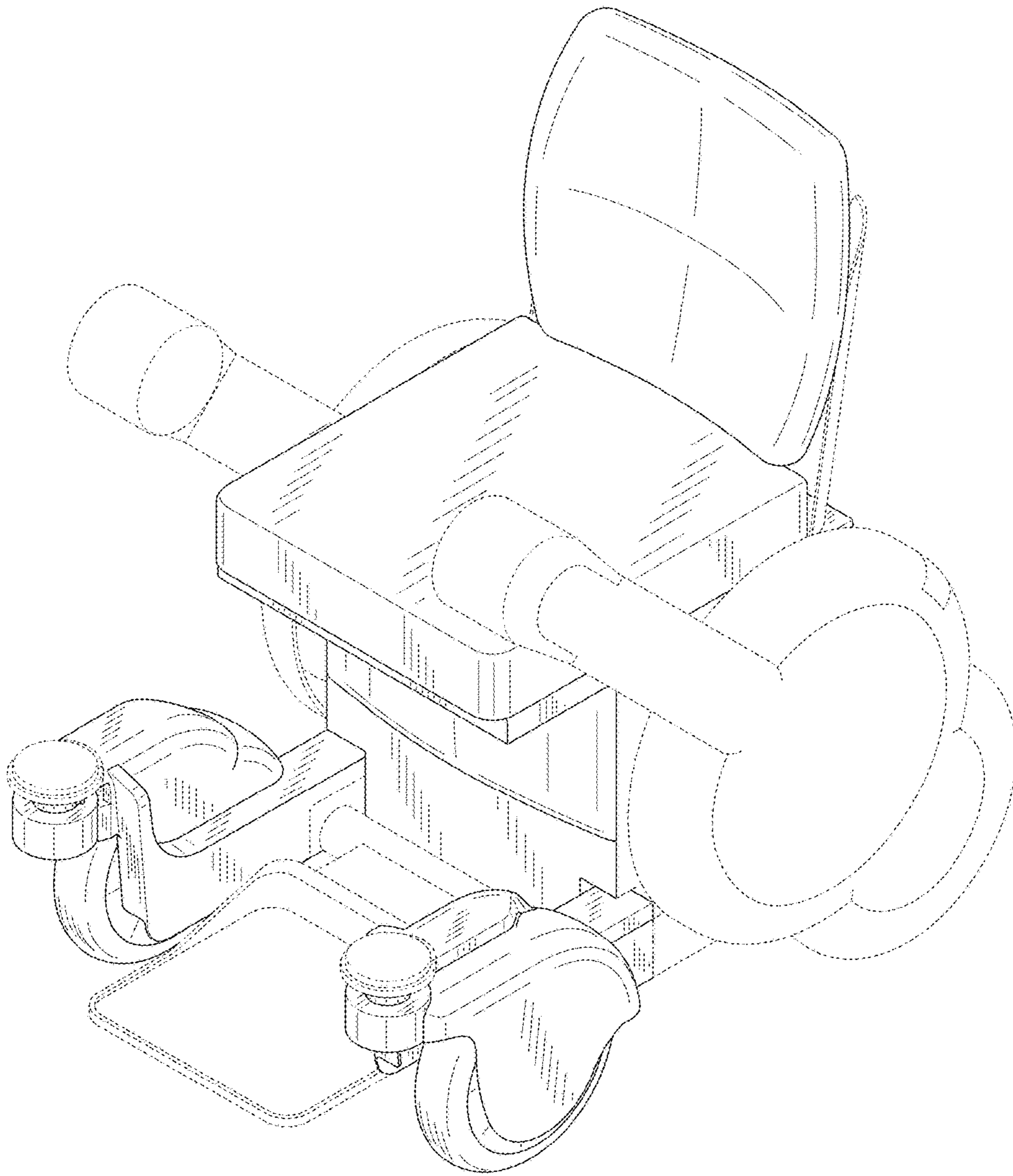


FIG. 2

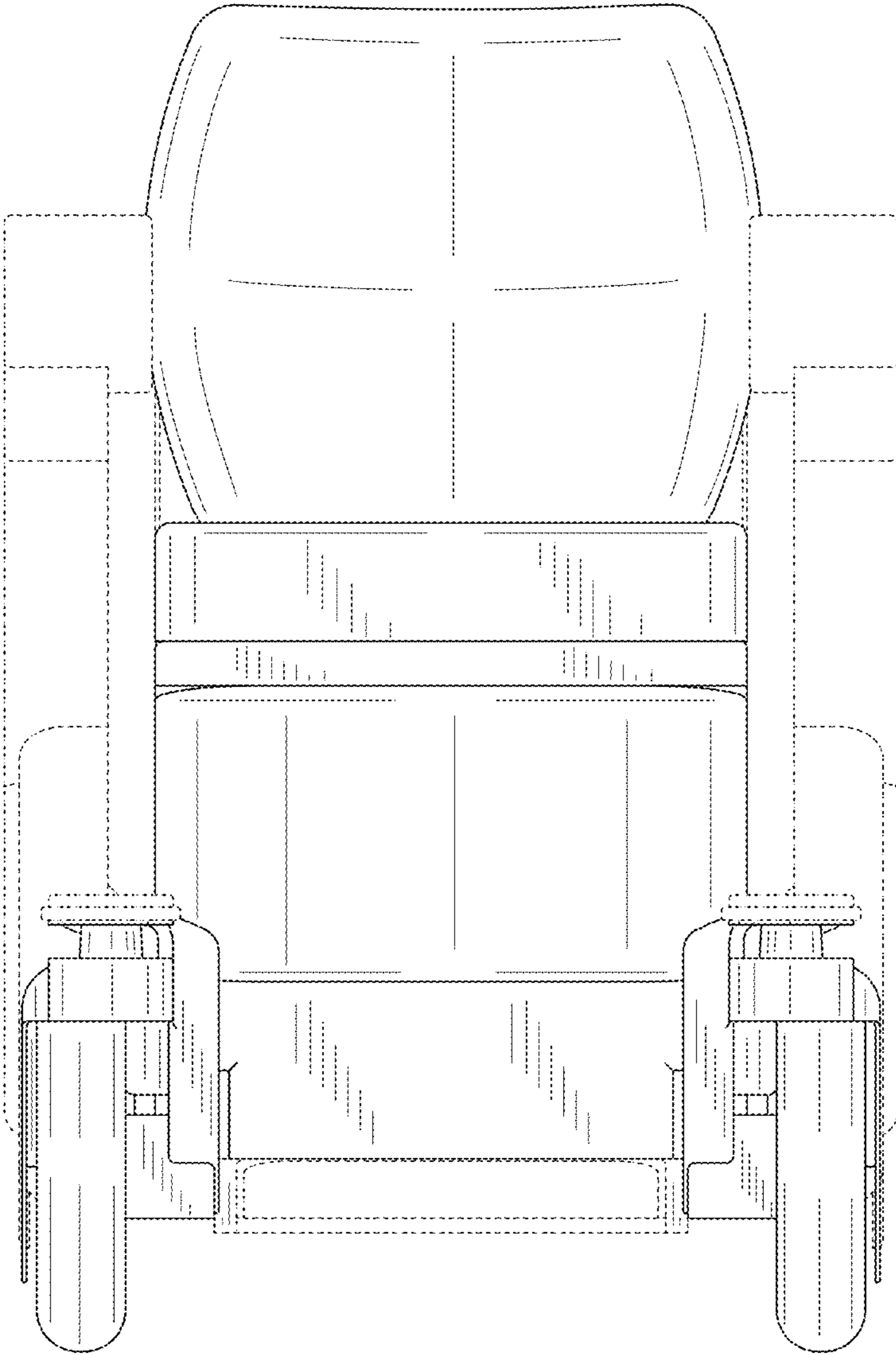


FIG. 3

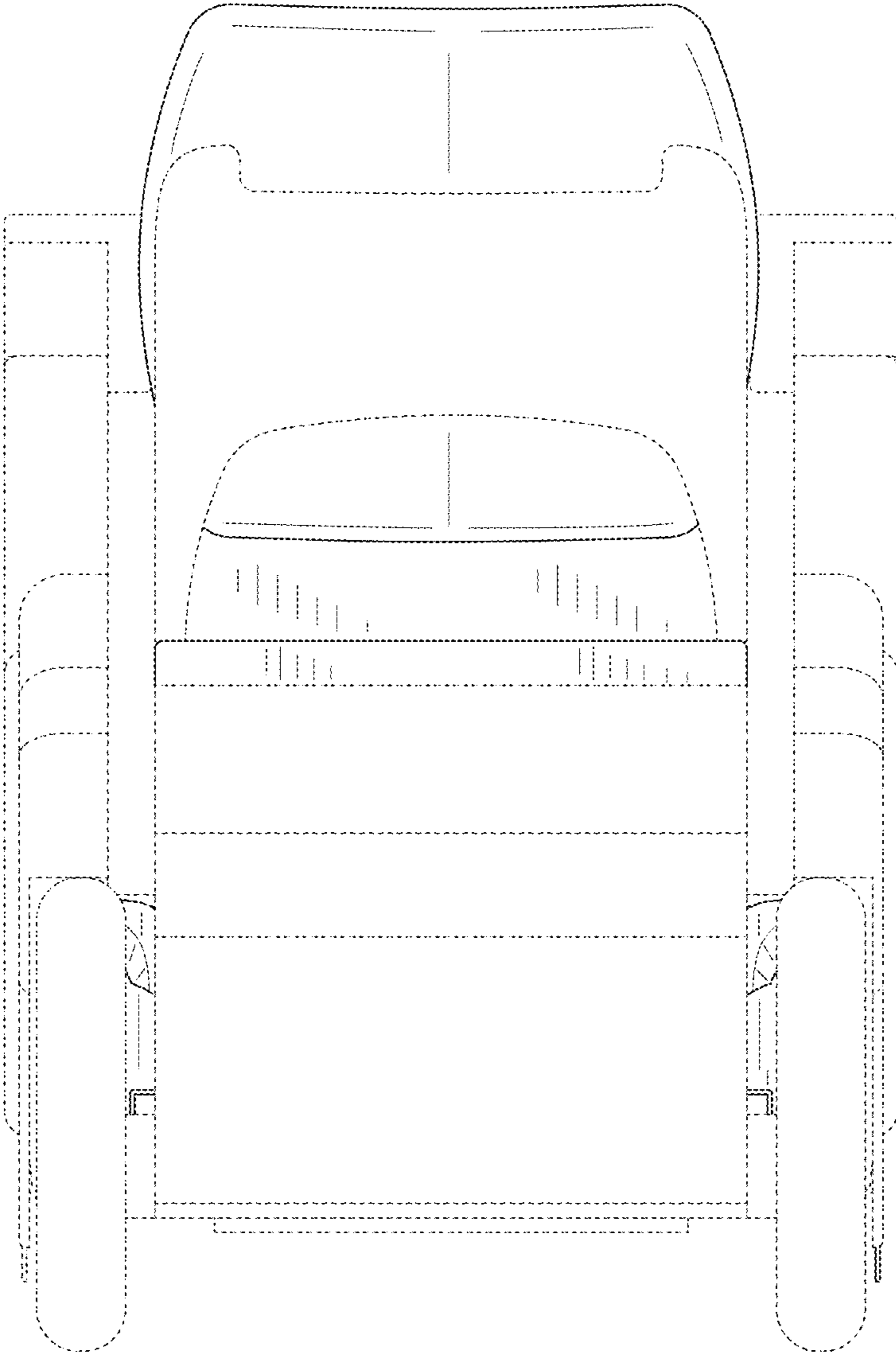


FIG. 4

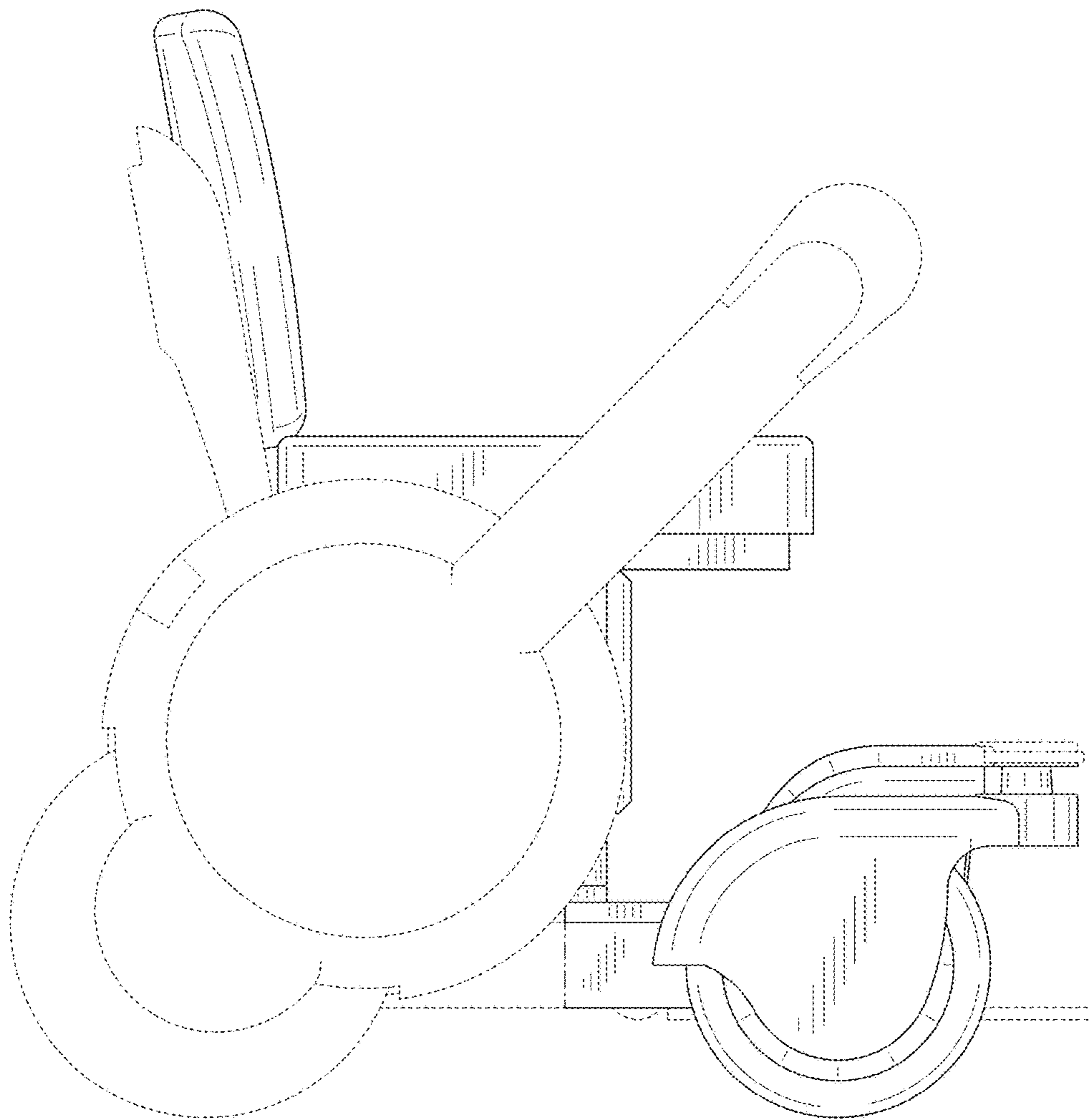




FIG. 5

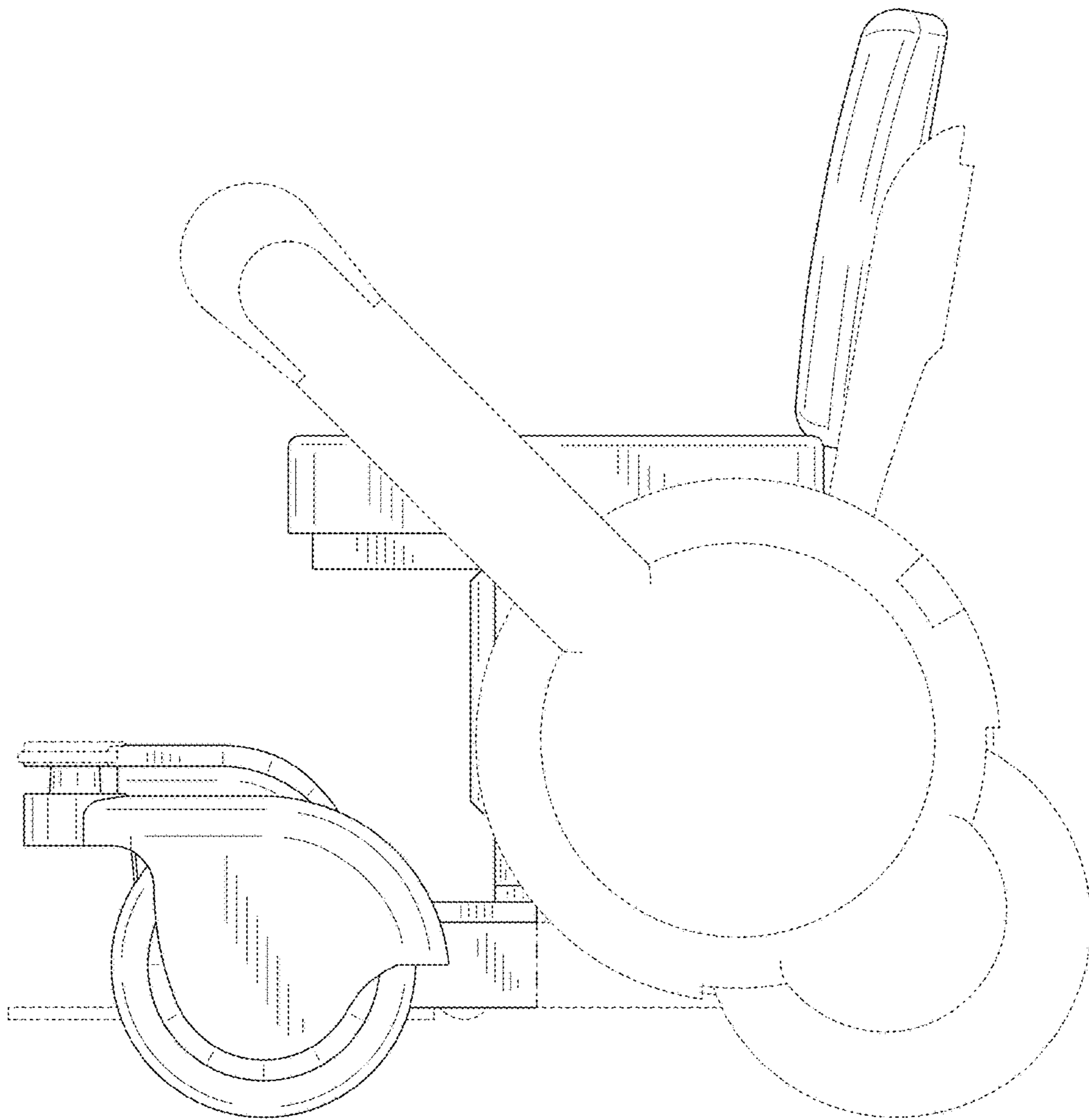


FIG. 6

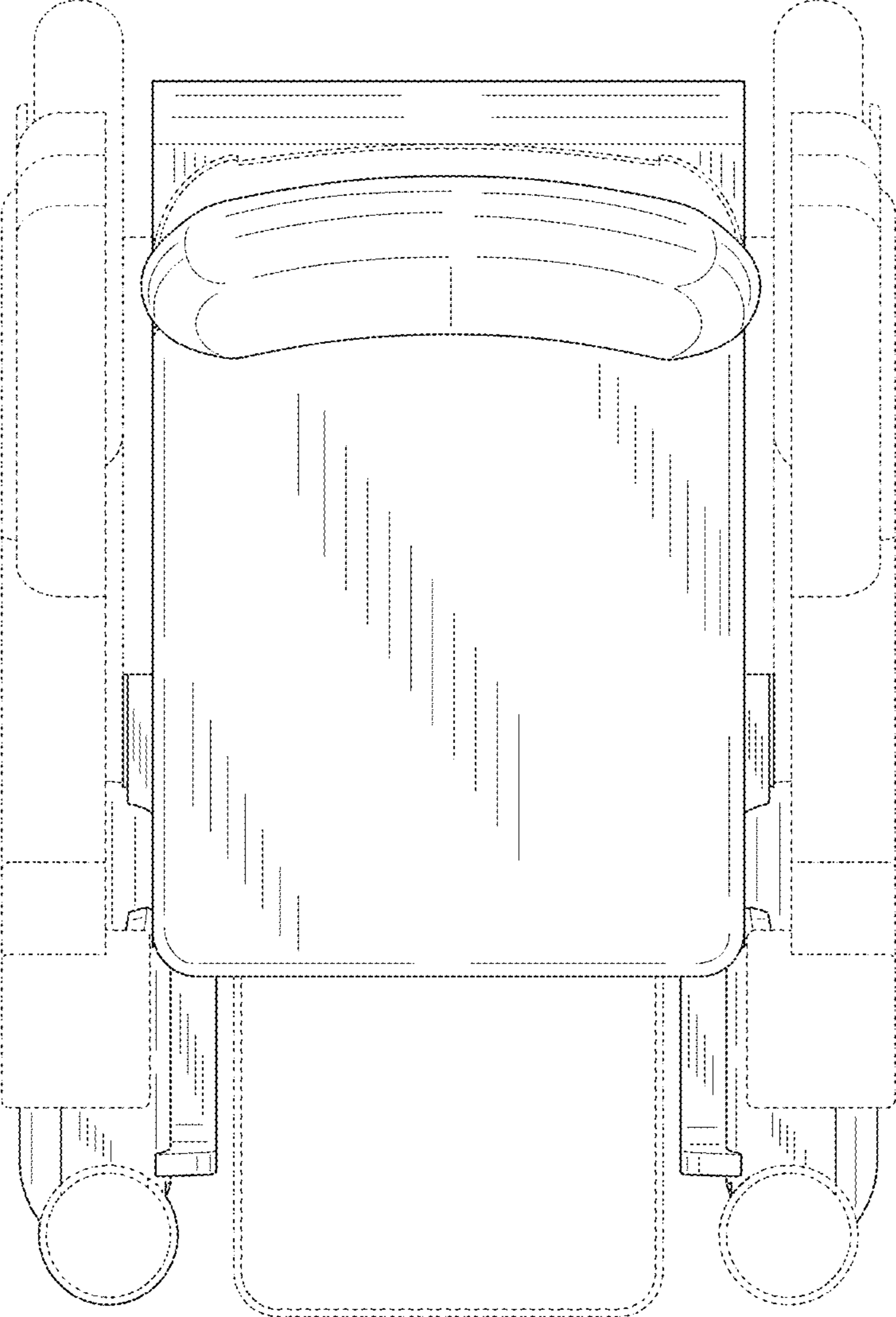


FIG. 7

