

US00D832147S

(12) **United States Design Patent** (10) **Patent No.:** **US D832,147 S**  
**Ojea** (45) **Date of Patent:** **\*\* Oct. 30, 2018**

(54) **VEHICLE, TOY, AND/OR REPLICAS THEREOF**

**DESCRIPTION**

(71) Applicant: **Bayerische Motoren Werke Aktiengesellschaft, Munich (DE)**

(72) Inventor: **Jacobo Domínguez Ojea, Munich (DE)**

(73) Assignee: **Bayerische Motoren Werke Aktiengesellschaft, Munich (DE)**

(\*\*) Term: **15 Years**

(21) Appl. No.: **29/624,719**

(22) Filed: **Nov. 3, 2017**

(30) **Foreign Application Priority Data**

May 10, 2017 (DE) ..... 40 2017 100 574

(51) **LOC (11) Cl.** ..... **12-08**

(52) **U.S. Cl.**  
USPC ..... **D12/92**

(58) **Field of Classification Search**  
USPC ..... D12/86, 90-92; D21/424, 433, 434;  
296/181.1-181.5, 183.1

(Continued)

(56) **References Cited**

**U.S. PATENT DOCUMENTS**

D605,085 S \* 12/2009 Weil ..... D12/92  
D620,843 S \* 8/2010 Froehlich ..... D12/92

(Continued)

**FOREIGN PATENT DOCUMENTS**

EM 001771015-0001 3/2012

*Primary Examiner* — Melody N Brown

(74) *Attorney, Agent, or Firm* — Crowell & Moring LLP

(57) **CLAIM**

The ornamental design for a vehicle, toy, and/or replicas thereof, as shown and described.

This application contains subject matter related to the following co-pending U.S. design patent applications: Application Ser. No. 29/607,492, filed Jun. 14, 2017 and entitled “Vehicle, Toy, and/or Replicas Thereof”; Application Ser. No. 29/624,716, filed herewith and entitled “Vehicle, Toy, and/or Replicas Thereof”; Application Ser. No. 29/624,718, filed herewith and entitled “Vehicle, Toy, and/or Replicas Thereof”; Application Ser. No. 29/624,711, filed herewith and entitled “Headlight for a Vehicle”; Application Ser. No. 29/624,712, filed herewith and entitled “Headlight for a Vehicle”; Application Ser. No. 29/624,713, filed herewith and entitled. “Taillight for a Vehicle”; Application Ser. No. 29/624,715, filed herewith and entitled “Taillight for a Vehicle”; Application Ser. No. 29/624,720, filed herewith and entitled “Hood for a Vehicle”; Application Ser. No. 29/624,725, filed herewith and entitled “Front Fender for a Vehicle”; Application Ser. No. 29/624,728, filed herewith and entitled “Door for a Vehicle”; Application Ser. No. 29/624,730, filed herewith and entitled “Door for a Vehicle”; Application Ser. No. 29/624,734, filed herewith and entitled “Rear Fender for a Vehicle”; Application Ser. No. 29/624,735, filed herewith and entitled “Radiator Grille for a Vehicle”; Application Ser. No. 29/624,741, filed herewith and entitled “Trunk Lid for a Vehicle”; and Application Ser. No. 29/624,743, filed herewith and entitled “Rear Bumper for a Vehicle”.  
FIG. 1 is a left, front perspective view of a vehicle, toy, and/or replicas thereof according to the design;  
FIG. 2 is a left side view thereof;  
FIG. 3 is a right side view thereof;  
FIG. 4 is a right, rear perspective view thereof;  
FIG. 5 is a front view thereof;  
FIG. 6 is a rear view thereof; and,  
FIG. 7 is a top view thereof.

**1 Claim, 7 Drawing Sheets**



(58) **Field of Classification Search**

CPC ..... B62D 25/00; B62D 25/06; B62D 33/00;  
B62D 35/00

See application file for complete search history.

(56) **References Cited**

U.S. PATENT DOCUMENTS

D639,209 S	6/2011	Faghihزadeh	
D686,534 S *	7/2013	Weil .....	D12/92
D710,760 S *	8/2014	Johnson .....	D12/91
D716,187 S *	10/2014	Beermann .....	D12/92
D716,189 S *	10/2014	Nordmann .....	D12/92
D727,796 S *	4/2015	Weil .....	D12/92
D727,797 S *	4/2015	Weil .....	D12/92
D728,429 S *	5/2015	Nissl .....	D12/92
D738,787 S *	9/2015	Clottu .....	D12/92
D740,175 S *	10/2015	Bischoff .....	D12/88
D742,283 S *	11/2015	Forsgren .....	D12/92
D743,846 S *	11/2015	Guille .....	D12/92
D757,607 S *	5/2016	Nissl .....	D12/91
D759,543 S *	6/2016	Nissl .....	D12/92
D761,693 S *	7/2016	Lian .....	D12/91
D761,695 S *	7/2016	Faghihزadeh .....	D12/92
D762,524 S *	8/2016	Luk .....	D12/91
D764,979 S *	8/2016	Faghihزadeh .....	D12/92
D774,416 S *	12/2016	Perini .....	D12/88
D776,005 S *	1/2017	Forschner .....	D12/91
D787,377 S *	5/2017	Al Attar .....	D12/92
D787,986 S *	5/2017	Kang .....	D12/88
D803,100 S *	11/2017	Forschner .....	D12/92
D813,726 S *	3/2018	Tanghe .....	D12/91
D813,727 S *	3/2018	Beermann .....	D12/92

\* cited by examiner





Fig. 1



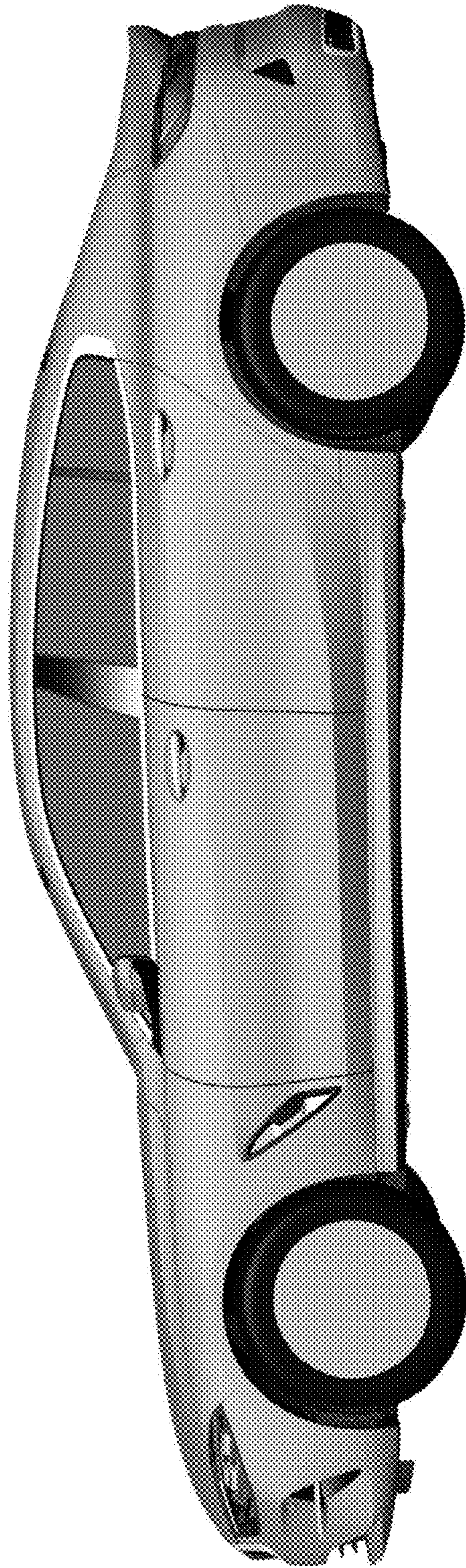


Fig. 2



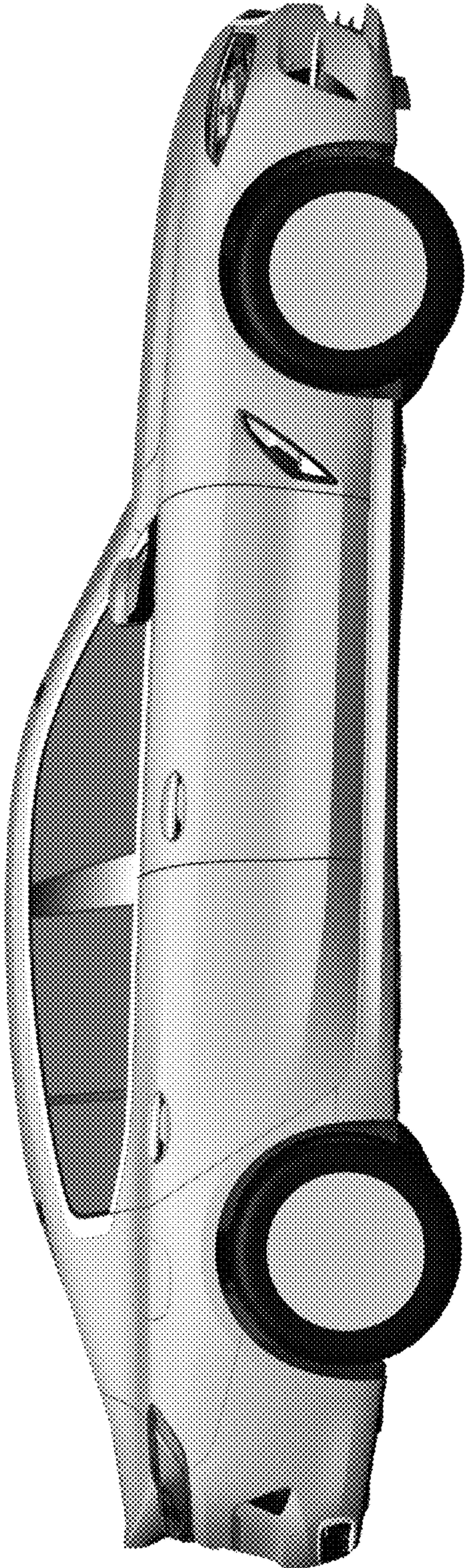


Fig. 3



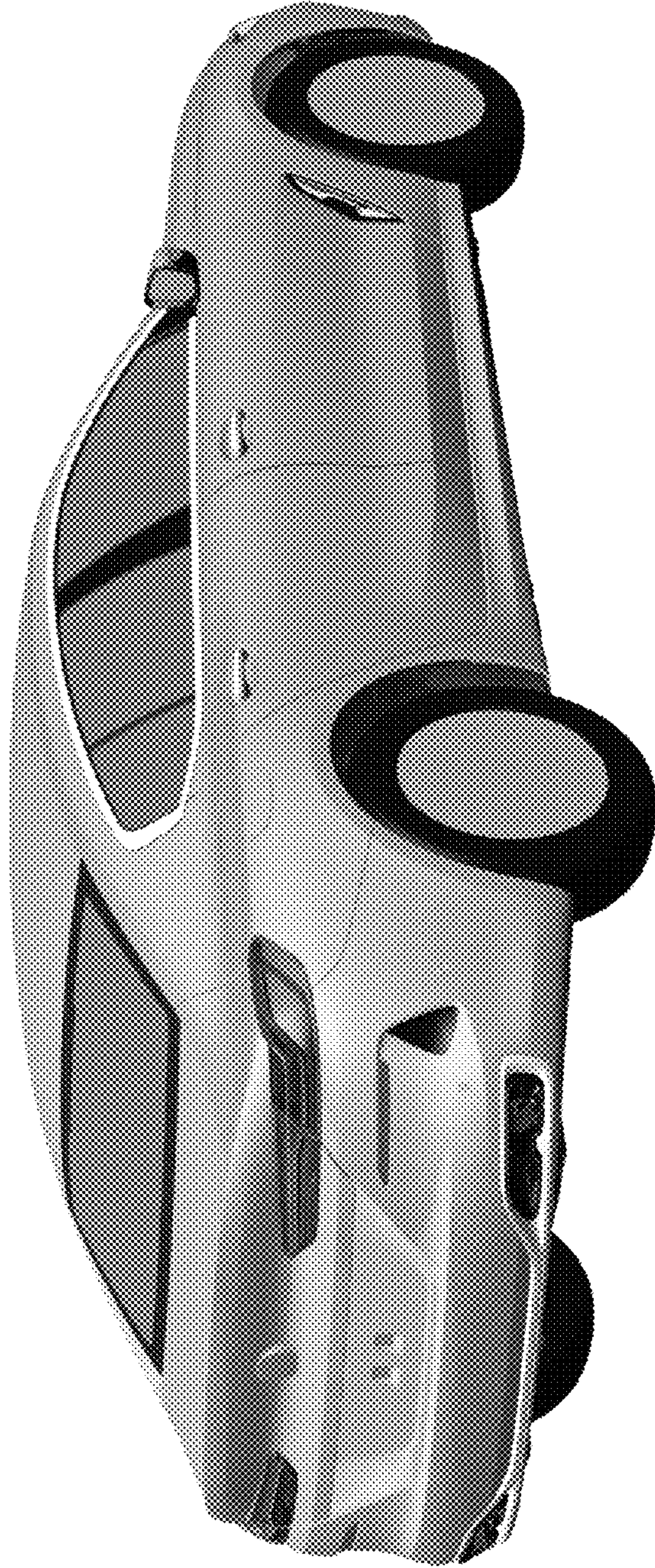


Fig. 4

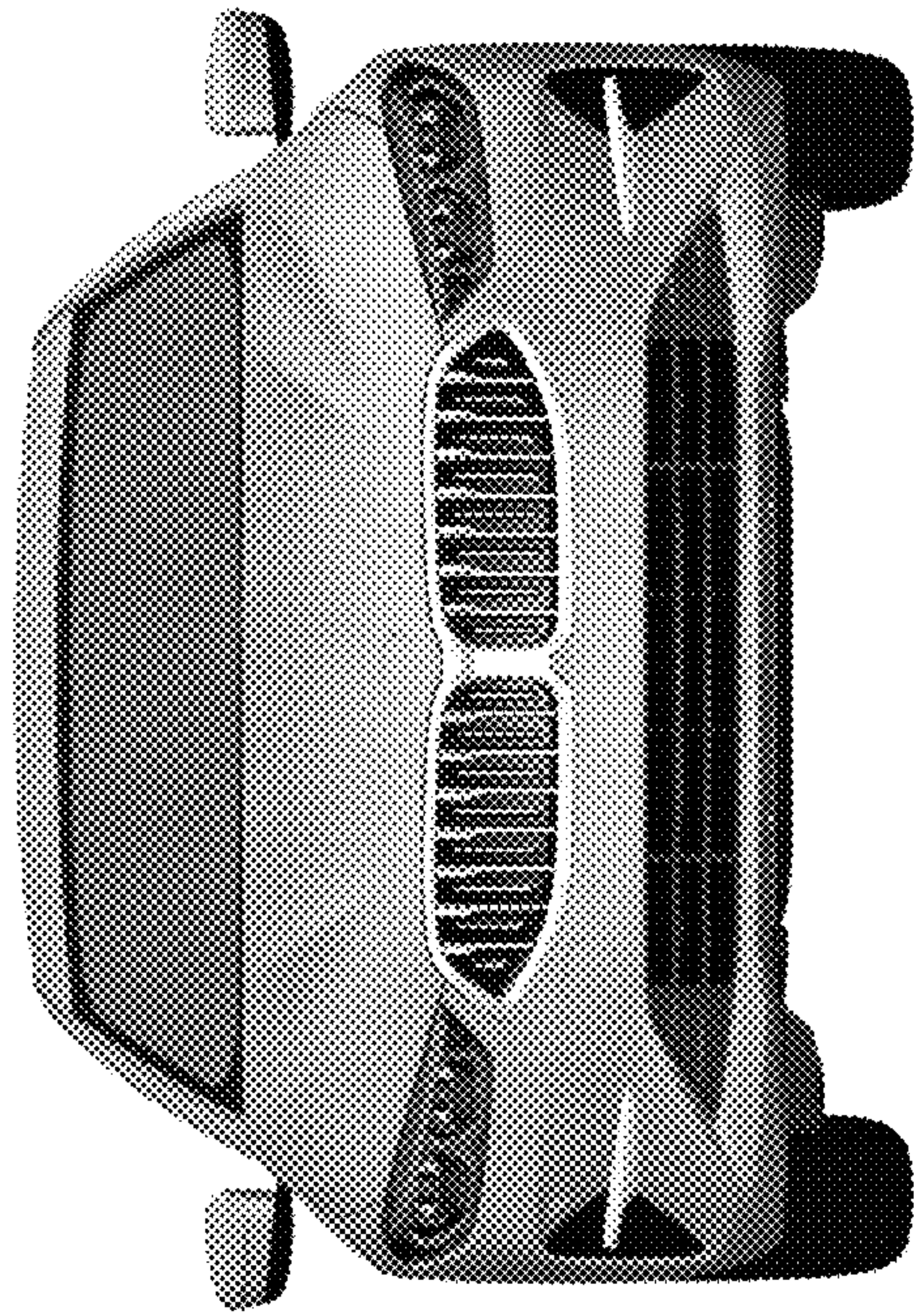


Fig. 5



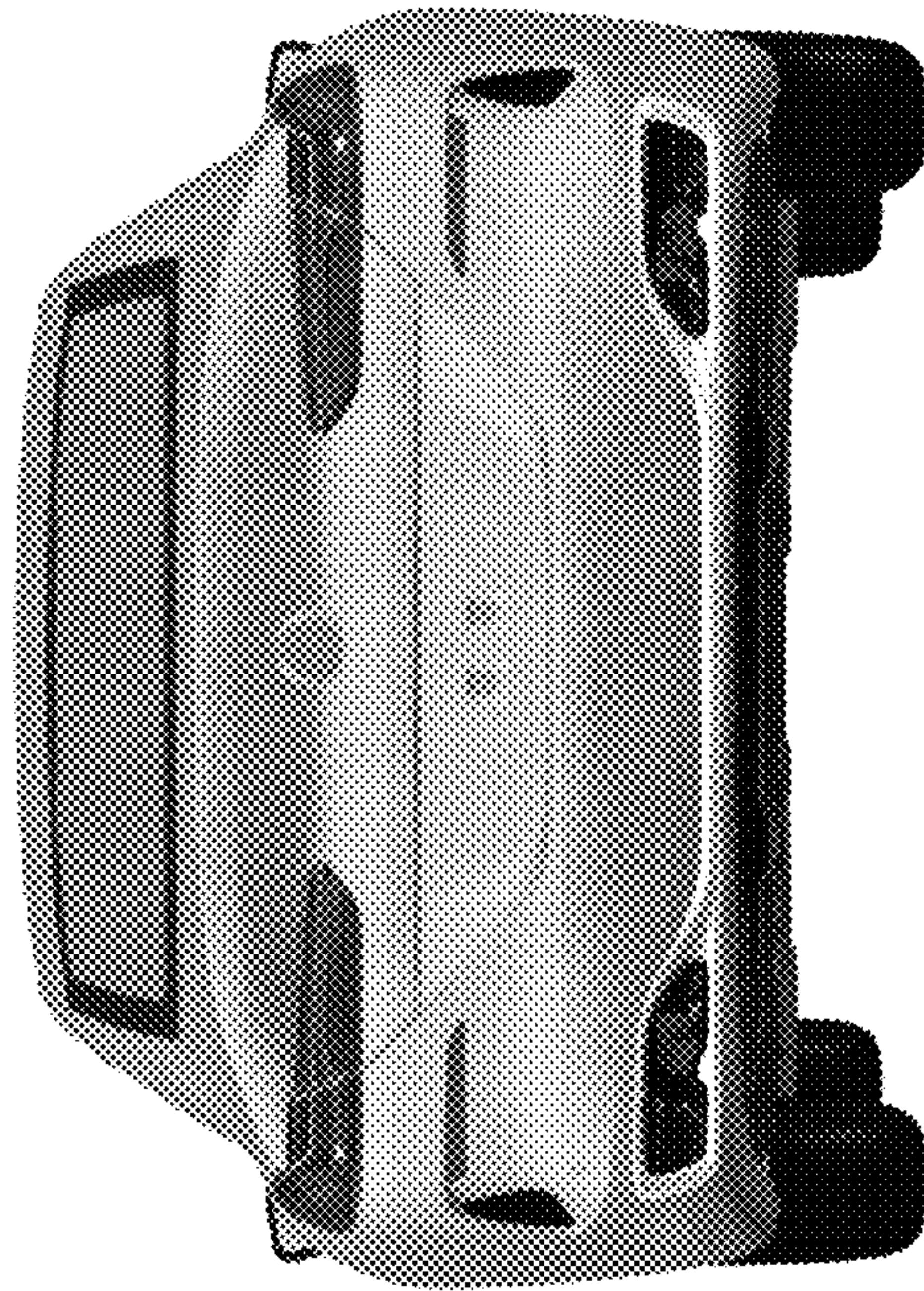


Fig. 6





Fig. 7