



US00D832140S

(12) **United States Design Patent**
Hallgren

(10) **Patent No.:** **US D832,140 S**
(45) **Date of Patent:** **** Oct. 30, 2018**

(54) **HAULER**

(71) Applicant: **Volvo Construction Equipment AB,**
Eskilstuna (SE)

(72) Inventor: **Michael Hallgren,** Pixbo (SE)

(73) Assignee: **Volvo Construction Equipment AB,**
Eskilstuna (SE)

(**) Term: **15 Years**

(21) Appl. No.: **29/599,746**

(22) Filed: **Apr. 6, 2017**

(30) **Foreign Application Priority Data**

Apr. 6, 2017 (EM) 003844380
Apr. 6, 2017 (EM) 003844406
Apr. 6, 2017 (EM) 003844638

(51) **LOC (11) Cl.** **08-10**

(52) **U.S. Cl.**
USPC **D12/15**

(58) **Field of Classification Search**
USPC D15/10, 25, 30, 33; D12/14, 15, 98, 93
CPC B60G 2200/10; B60P 1/16; B60P 1/283;
B60P 1/286; B60P 1/28; B60P 1/00;
B60P 1/04; B60Y 2200/142; B62D 33/02;
B62D 33/00

See application file for complete search history.

(56) **References Cited**

U.S. PATENT DOCUMENTS

D660,874 S * 5/2012 Werner D15/10
D676,786 S * 2/2013 Werner D12/15
D696,697 S * 12/2013 Cooksey D15/10
2003/0214174 A1* 11/2003 Hagenbuch B60P 1/267
298/23 D

2009/0101370 A1* 4/2009 Tasovski B60P 1/286
172/1
2012/0317968 A1* 12/2012 Fudouji B60T 5/00
60/468
2014/0099181 A1* 4/2014 Giles-Brown B60P 1/16
414/809
2014/0191559 A1* 7/2014 Roach B60K 20/08
298/19 R
2014/0222299 A1* 8/2014 Stander B60P 1/04
701/50

(Continued)

OTHER PUBLICATIONS

Images of Volvo Construction Equipment Hauler Model A45G,
disclosed at Bauma Trade Fair, Munich, Germany, Apr. 11-17, 2016.

(Continued)

Primary Examiner — T Chase Nelson

Assistant Examiner — Ania Aman

(74) *Attorney, Agent, or Firm* — Tucker Ellis LLP

(57) **CLAIM**

The ornamental design for a hauler, as shown and described.

DESCRIPTION

FIG. 1 is a perspective view of a hauler showing my new design.

FIG. 2 is another perspective view thereof.

FIG. 3 is a left side view thereof.

FIG. 4 is a right side view thereof.

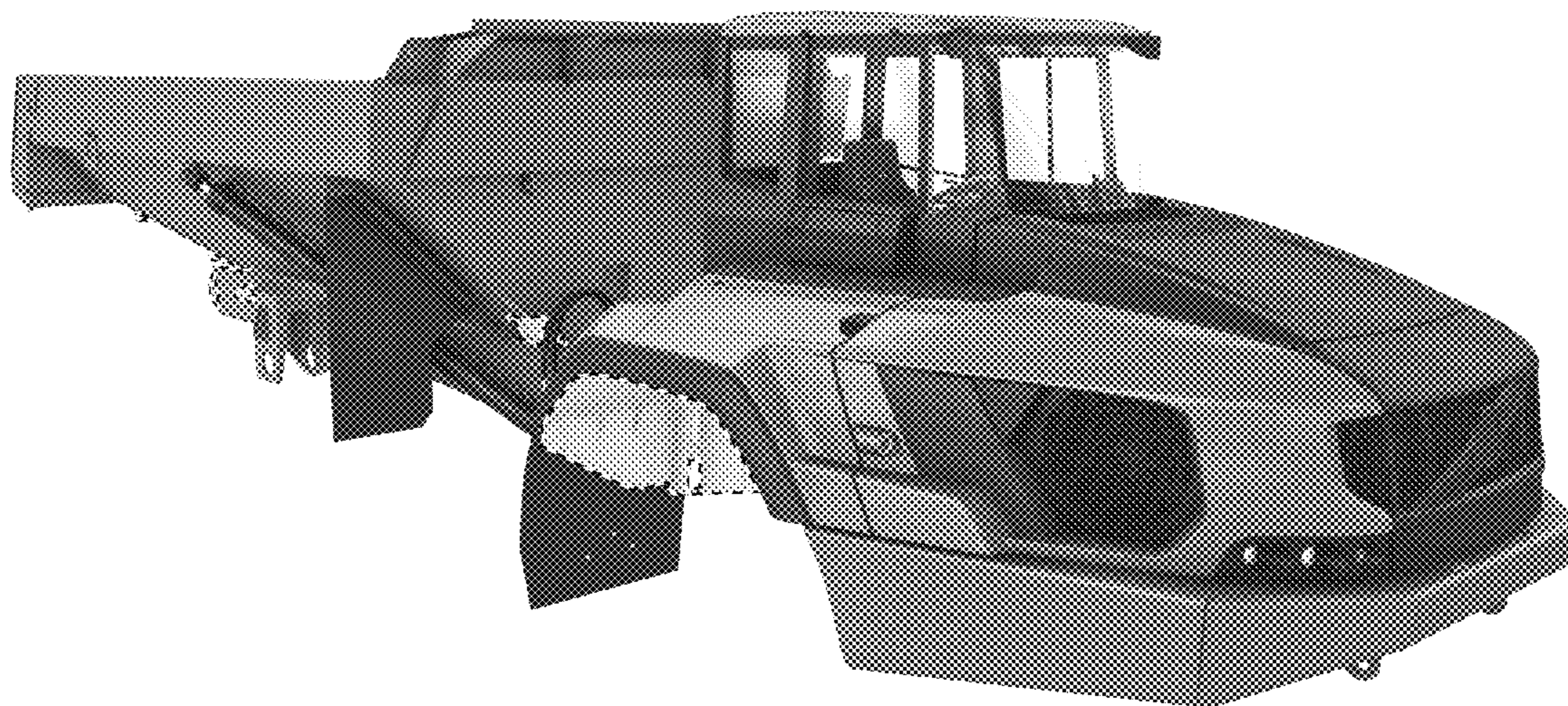
FIG. 5 is a top view thereof.

FIG. 6 is a front view thereof, shown in enlarged scale; and,

FIG. 7 is a rear view thereof.

The de-emphasized portions shown inside the broken lines illustrate portions of the hauler that form no part of the claimed design, the broken lines represent an unclaimed boundary that forms no part of the claimed design.

1 Claim, 6 Drawing Sheets



(56)

References Cited

U.S. PATENT DOCUMENTS

2014/0336883 A1* 11/2014 Thompson B60P 1/045
701/50
2015/0051798 A1* 2/2015 Cronholm B60P 1/162
701/50
2016/0264133 A1* 9/2016 Ohsugi G08G 1/166
2017/0084089 A1* 3/2017 Katter, Jr. G06Q 10/08
2017/0114509 A1* 4/2017 Shakespeare E01C 23/082
2017/0129299 A1* 5/2017 Andreasson B60G 17/0182
2017/0253163 A1* 9/2017 Anderson B60P 1/045
2018/0050727 A1* 2/2018 Furukawa B62D 21/16
2018/0056839 A1* 3/2018 Cai G07C 5/0841

OTHER PUBLICATIONS

Product Brochure for Volvo Construction Equipment Hauler Model A45G, dated Oct. 2016.

Images of Volvo Construction Equipment Excavator Model EC950E, disclosed at Bauma Trade Fair, Munich, Germany, Apr. 11-17, 2016.

Images of Volvo Construction Equipment Excavator Model EC750E, disclosed to public May 2016.

* cited by examiner

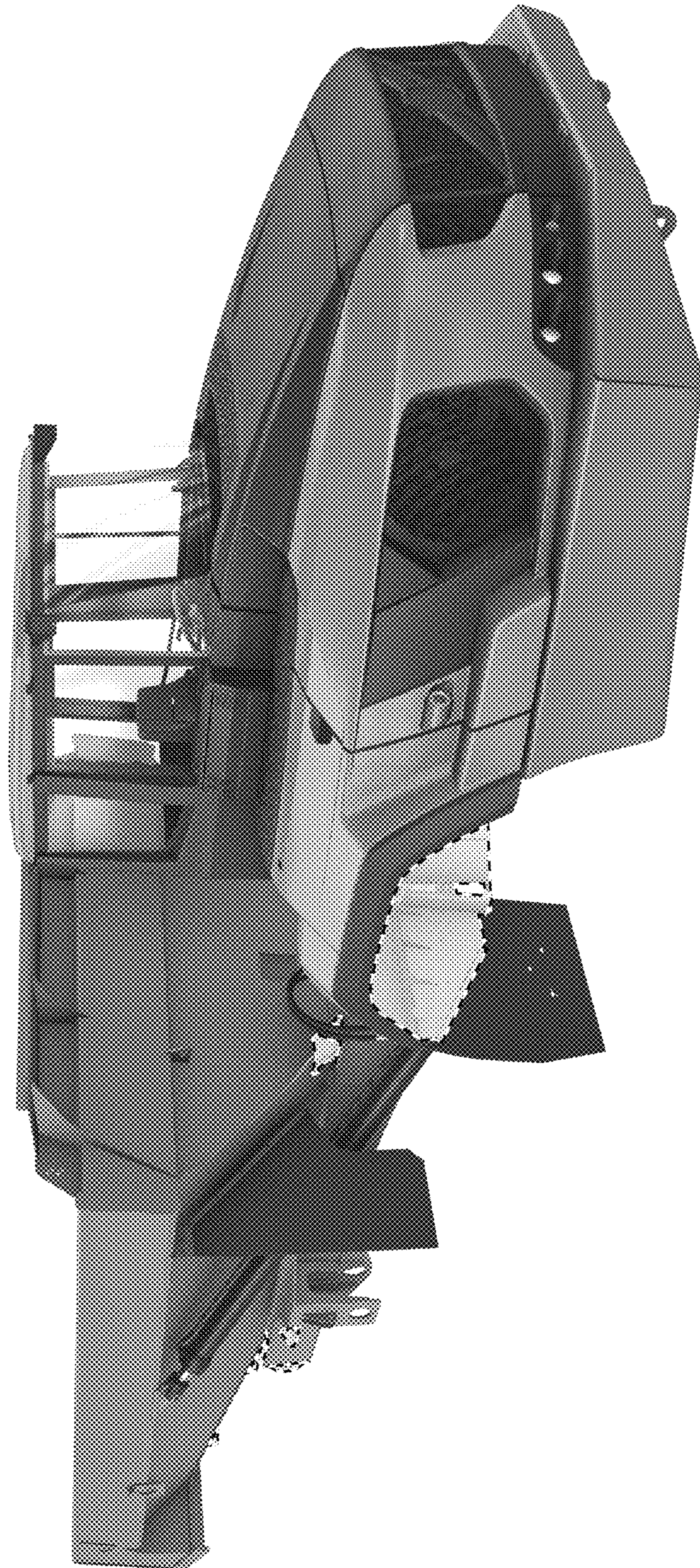


FIG. 1

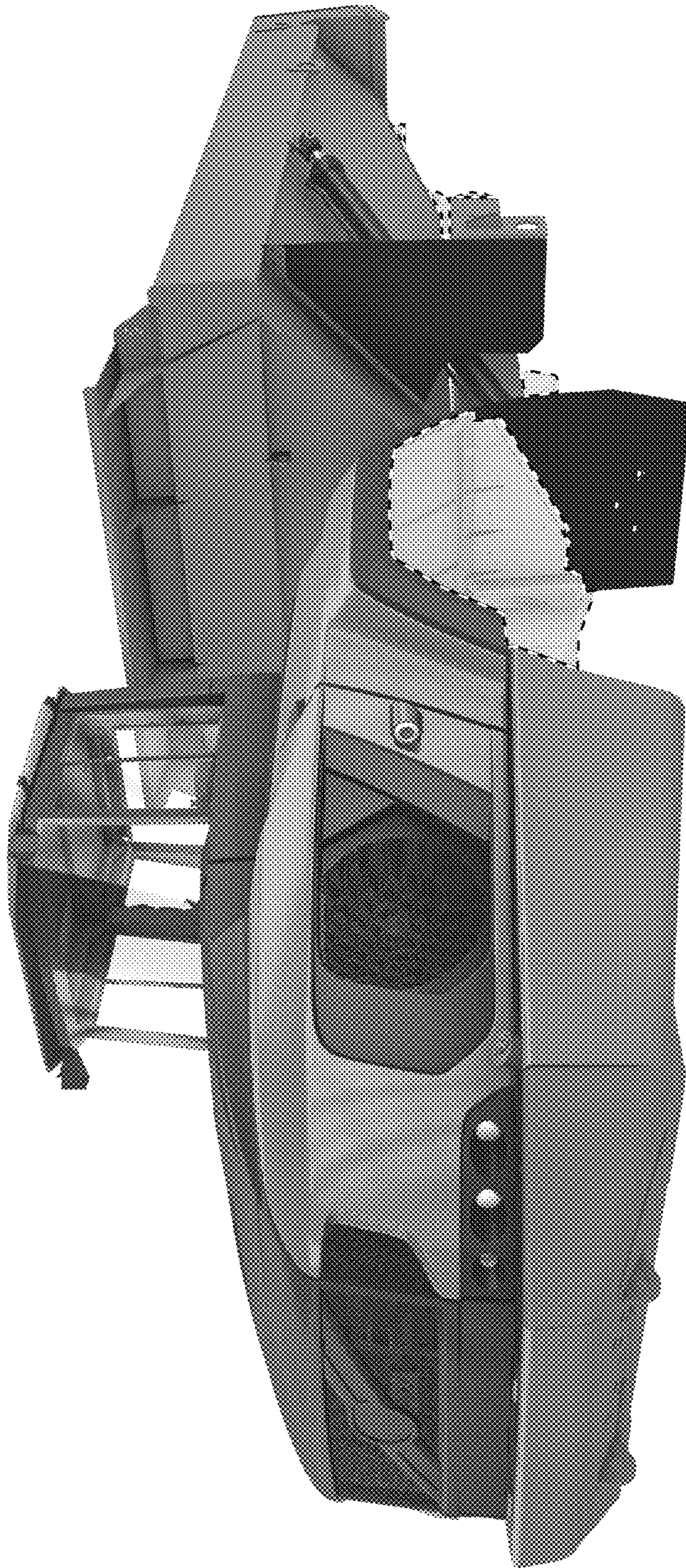


FIG. 2

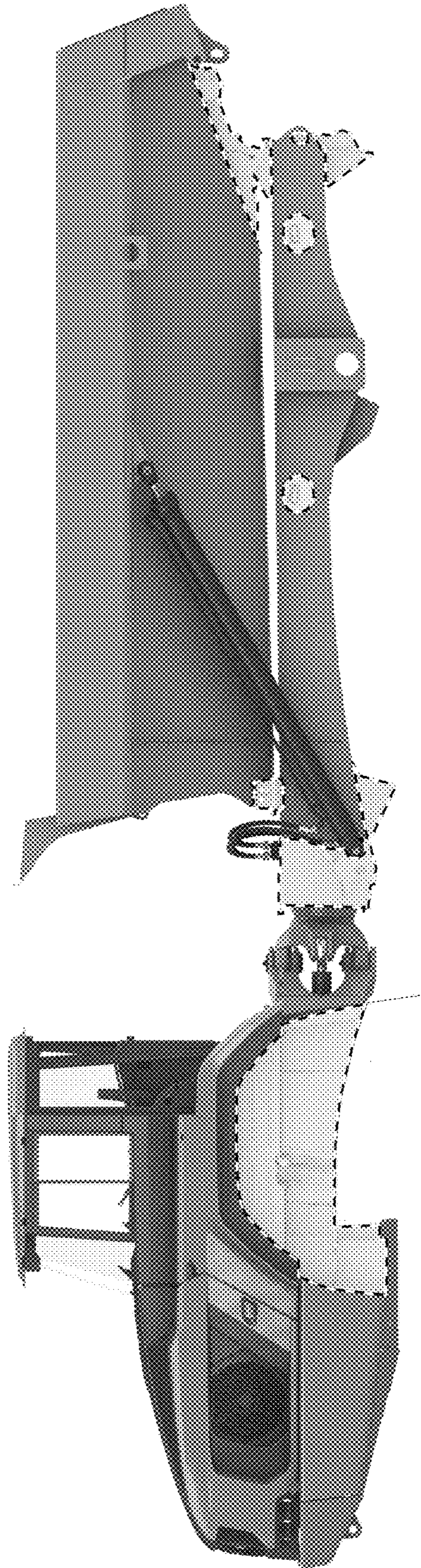


FIG. 3

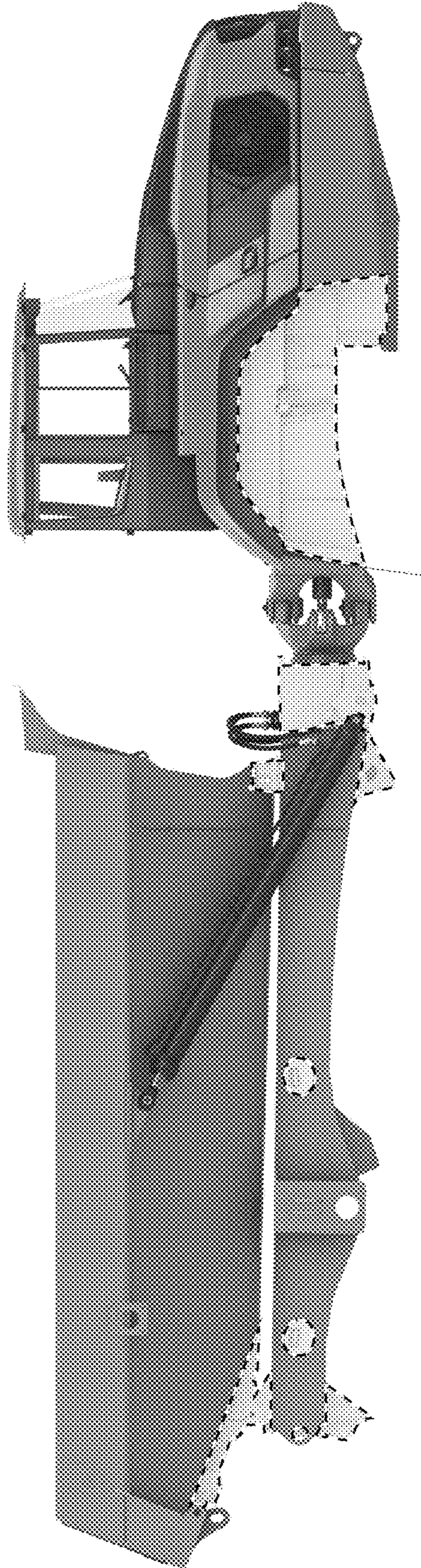


FIG. 4

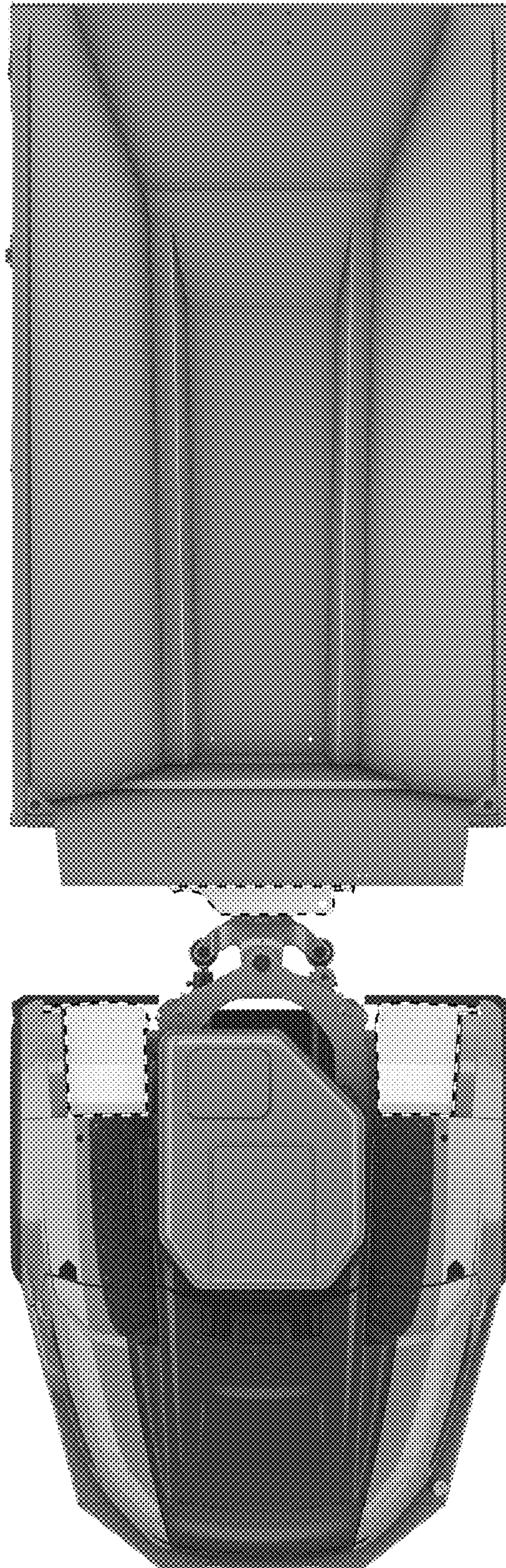


FIG. 5

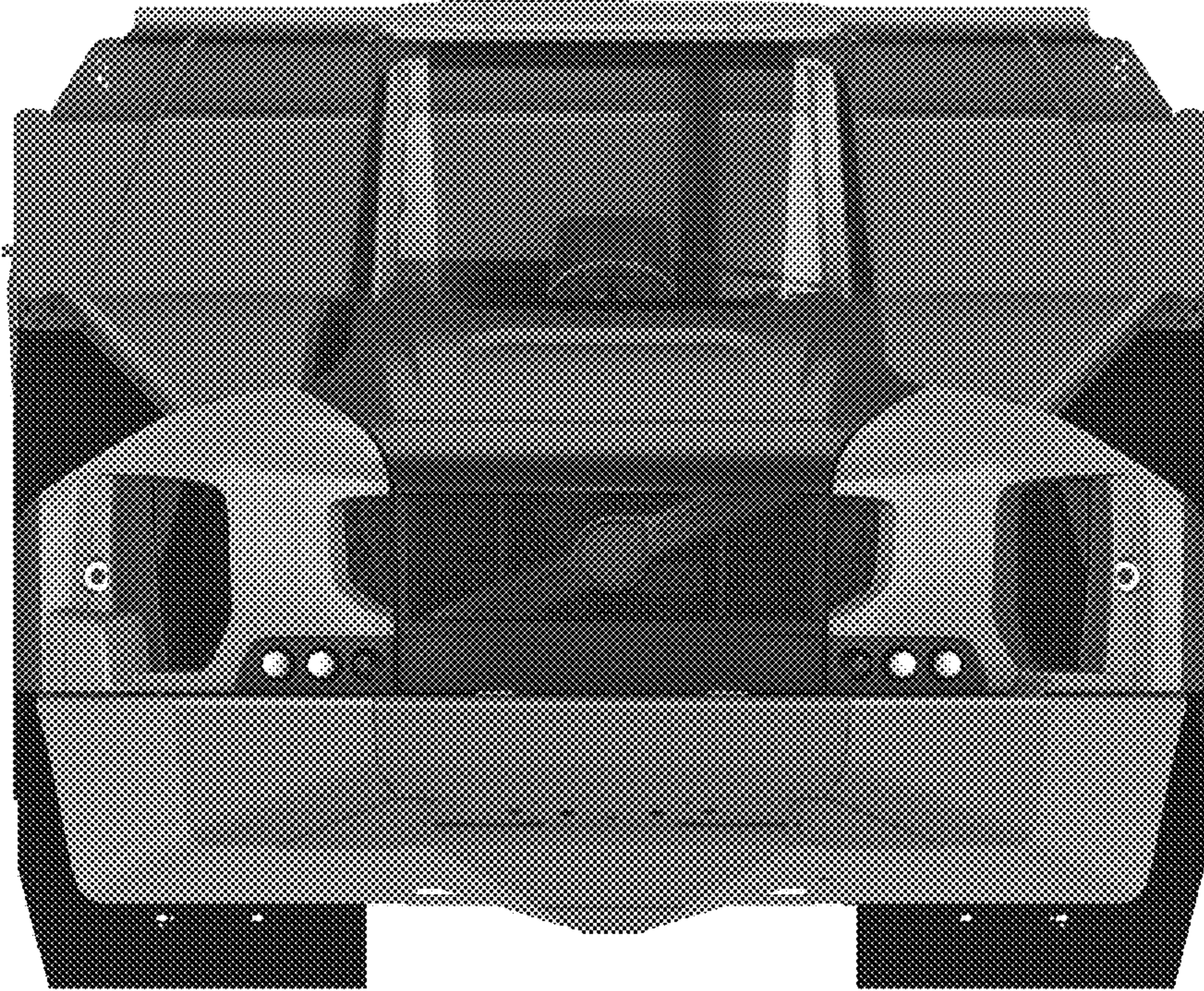


FIG. 6

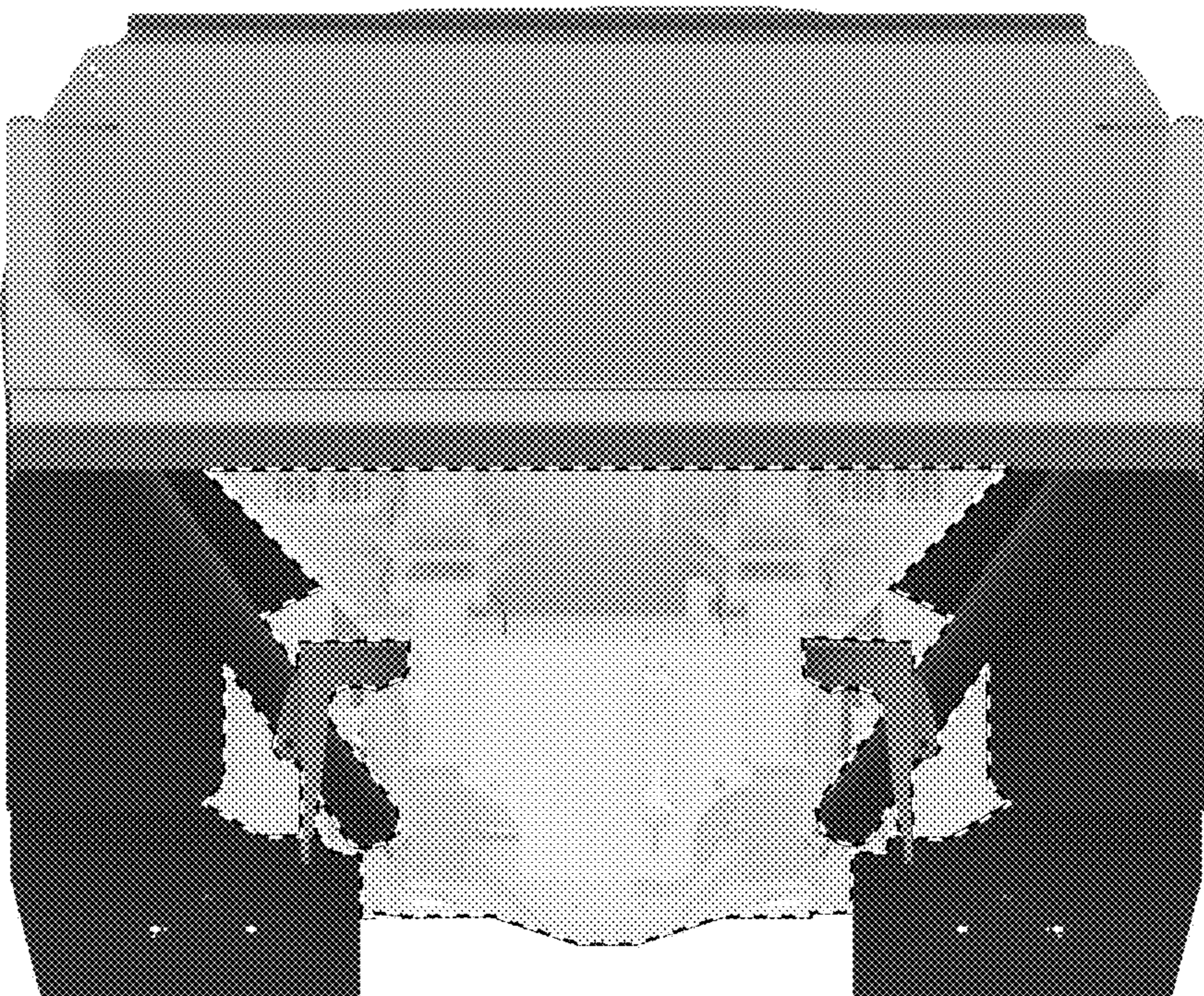


FIG. 7