



US00D832139S

(12) **United States Design Patent**
Rike

(10) **Patent No.:** **US D832,139 S**

(45) **Date of Patent:** **** Oct. 30, 2018**

(54) **TRUCK DUMP BODY**

(71) Applicant: **Palmer Trucks, Inc.**, Indianapolis, IN
(US)

(72) Inventor: **James B. Rike**, Indianapolis, IN (US)

(73) Assignee: **PALMER TRUCKS, INC.**,
Indianapolis, IN (US)

(**) Term: **14 Years**

(21) Appl. No.: **29/521,559**

(22) Filed: **Mar. 24, 2015**

(51) **LOC (11) Cl.** **08-10**

(52) **U.S. Cl.**

USPC **D12/15**

(58) **Field of Classification Search**

USPC D12/15, 16

CPC B60P 1/28; B60P 1/003; B60P 1/00; B60P
1/4492; B60P 1/36; B60P 1/04

See application file for complete search history.

(56) **References Cited**

U.S. PATENT DOCUMENTS

1,517,697	A *	12/1924	Barrett	B60P 1/28
					296/10
D104,441	S *	5/1937	Cohen	D12/15
D132,903	S *	6/1942	Bisantz	D12/15
2,577,310	A *	12/1951	Connelly	E01C 19/203
					239/657
2,697,609	A *	12/1954	Chase	B60B 39/06
					239/657
D189,025	S *	10/1960	Acker	D12/15
3,010,727	A *	11/1961	Swenson	B60P 1/165
					222/166
3,041,111	A *	6/1962	Wyrick, Jr.	B60P 1/045
					298/1 R

RE25,709 E * 1/1965 Swenson et al. B60P 1/165
222/166

3,472,548 A * 10/1969 Comisac B60H 1/00014
296/100.05

3,498,486 A * 3/1970 Freeman, Jr. B60P 1/38
296/56

(Continued)

Primary Examiner — T Chase Nelson

Assistant Examiner — Ania Aman

(74) *Attorney, Agent, or Firm* — Tucker Ellis LLP; Carlos
Garritano

(57) **CLAIM**

The ornamental design for a truck dump body, as shown and
described.

DESCRIPTION

FIG. 1 is a top front perspective view of truck dump body
showing our new design;

FIG. 2 is a bottom rear perspective view of the truck dump
body illustrated in FIG. 1;

FIG. 3 is a bottom front perspective view of the truck dump
body illustrated in FIG. 1;

FIG. 4 is a top rear perspective view of the truck dump body
illustrated in FIG. 1;

FIG. 5 is front view of the truck dump body illustrated in
FIG. 1;

FIG. 6 is a rear view of the truck dump body illustrated in
FIG. 1;

FIG. 7 is a left side view of the truck dump body illustrated
in FIG. 1;

FIG. 8 is a right side view of the truck dump body illustrated
in FIG. 1;

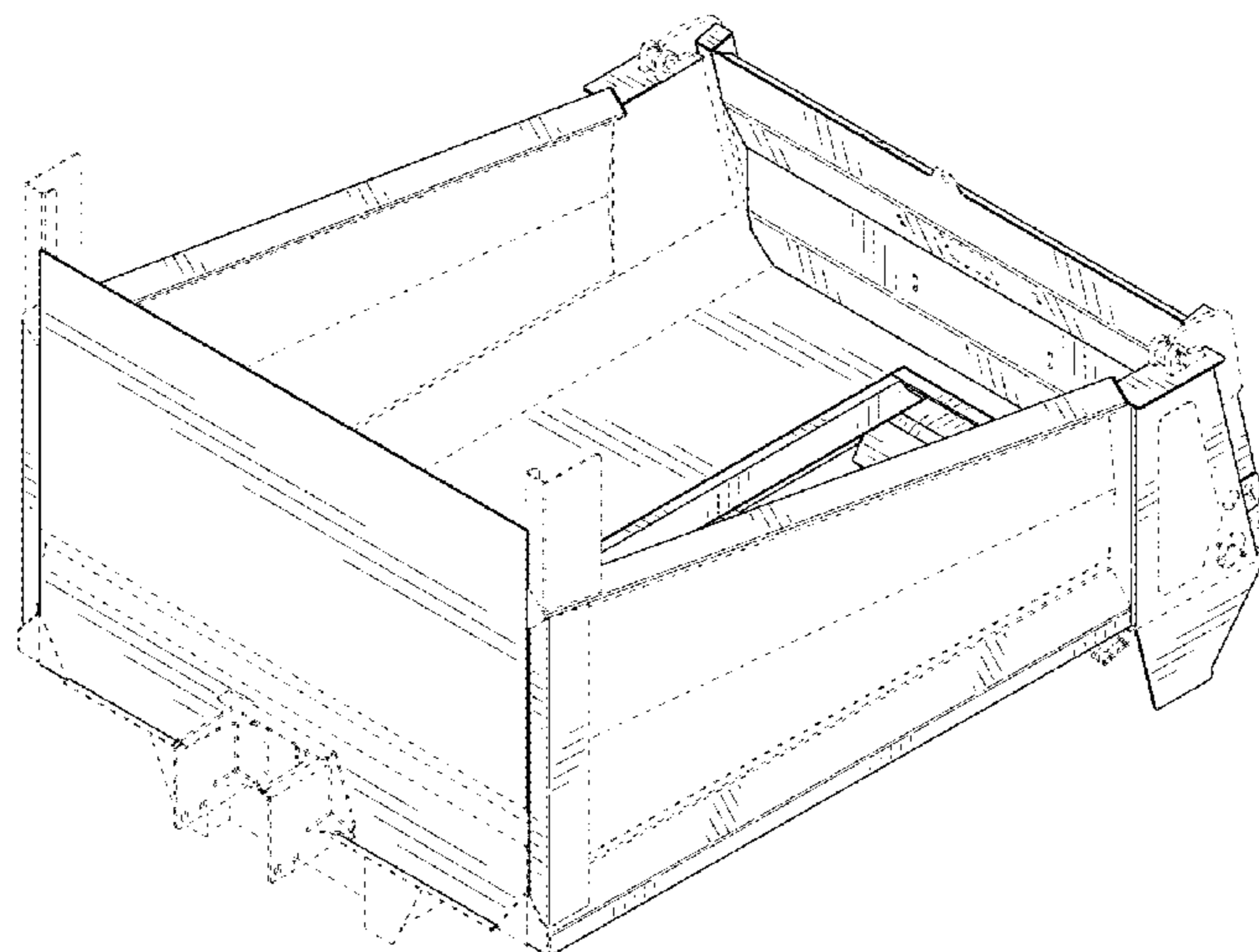
FIG. 9 is a top view of the truck dump body illustrated in
FIG. 1;

FIG. 10 is a bottom view of the truck dump body illustrated
in FIGS. 1; and,

FIG. 11 is an in use view of the truck dump body illustrated
in FIG. 1.

In the drawings, the broken lines depict environmental
subject matter only that forms no part of the claimed design.

1 Claim, 9 Drawing Sheets



(56)

References Cited

U.S. PATENT DOCUMENTS

3,552,659 A * 1/1971 Meyer B60P 1/16
239/657
3,813,124 A * 5/1974 Roland B60P 1/283
298/17 B
3,857,452 A * 12/1974 Hartman G01G 3/1404
177/139
3,905,493 A * 9/1975 Logue B60P 1/26
296/56
4,063,779 A * 12/1977 Martin B62D 61/125
180/24.02
5,033,794 A * 7/1991 Vick B60P 1/16
298/22 R
5,192,189 A * 3/1993 Murata B60P 1/32
296/183.2
5,772,389 A 6/1998 Feller
D409,524 S * 5/1999 McKinney D12/93
5,927,617 A * 7/1999 Musso, Jr. B60P 1/36
239/657
D425,825 S * 5/2000 Shambeau D12/15
D429,662 S * 8/2000 Smith D12/15
6,186,731 B1 2/2001 Vickers et al.
6,209,964 B1 * 4/2001 Pinto B60P 1/283
298/1 V

D445,067 S * 7/2001 Musso, Jr. D12/15
D450,627 S * 11/2001 Musso, Jr. D12/15
6,354,786 B1 3/2002 Feller
6,364,598 B1 4/2002 Vickers et al.
6,394,735 B2 5/2002 Hollinrake et al.
6,446,879 B1 * 9/2002 Kime E01C 19/203
239/170
6,585,472 B2 7/2003 Hollinrake et al.
6,698,997 B2 3/2004 Arne et al.
6,881,022 B2 4/2005 Feller
6,945,482 B2 9/2005 Hollinrake et al.
7,913,931 B2 3/2011 Hollinrake et al.
9,260,044 B1 * 2/2016 Hine B60P 1/36
2003/0156933 A1 * 8/2003 Arne B60P 1/28
414/502
2003/0161710 A1 * 8/2003 Musso, Jr. B60P 1/286
414/528
2007/0096536 A1 * 5/2007 Gapski B60P 1/28
298/8 R
2014/0183904 A1 * 7/2014 Moon B60P 1/286
296/183.2
2014/0286739 A1 * 9/2014 Helmsderfer A01C 15/003
414/528
2016/0280121 A1 * 9/2016 Rike B60P 1/36

* cited by examiner

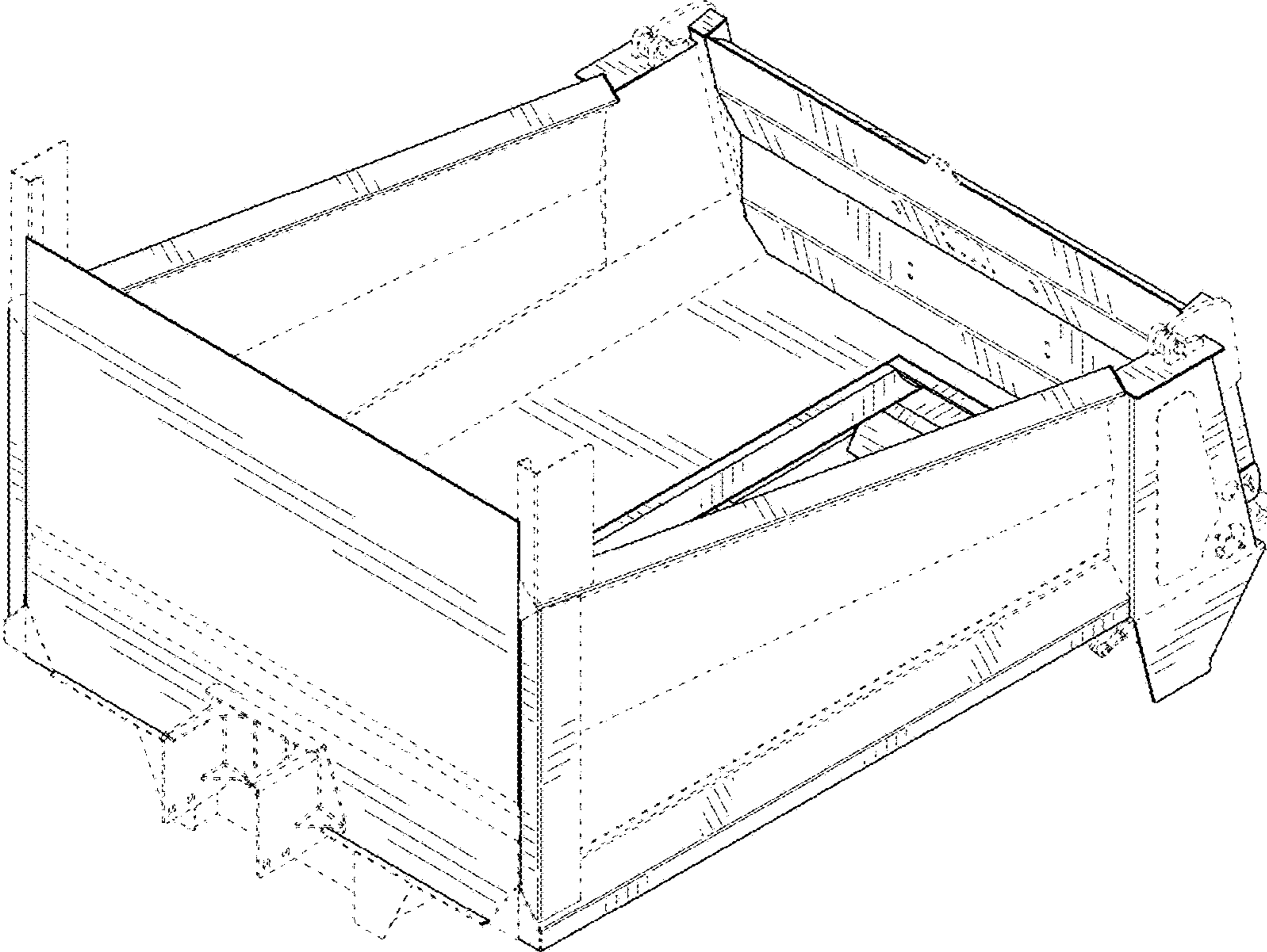


FIG. 1

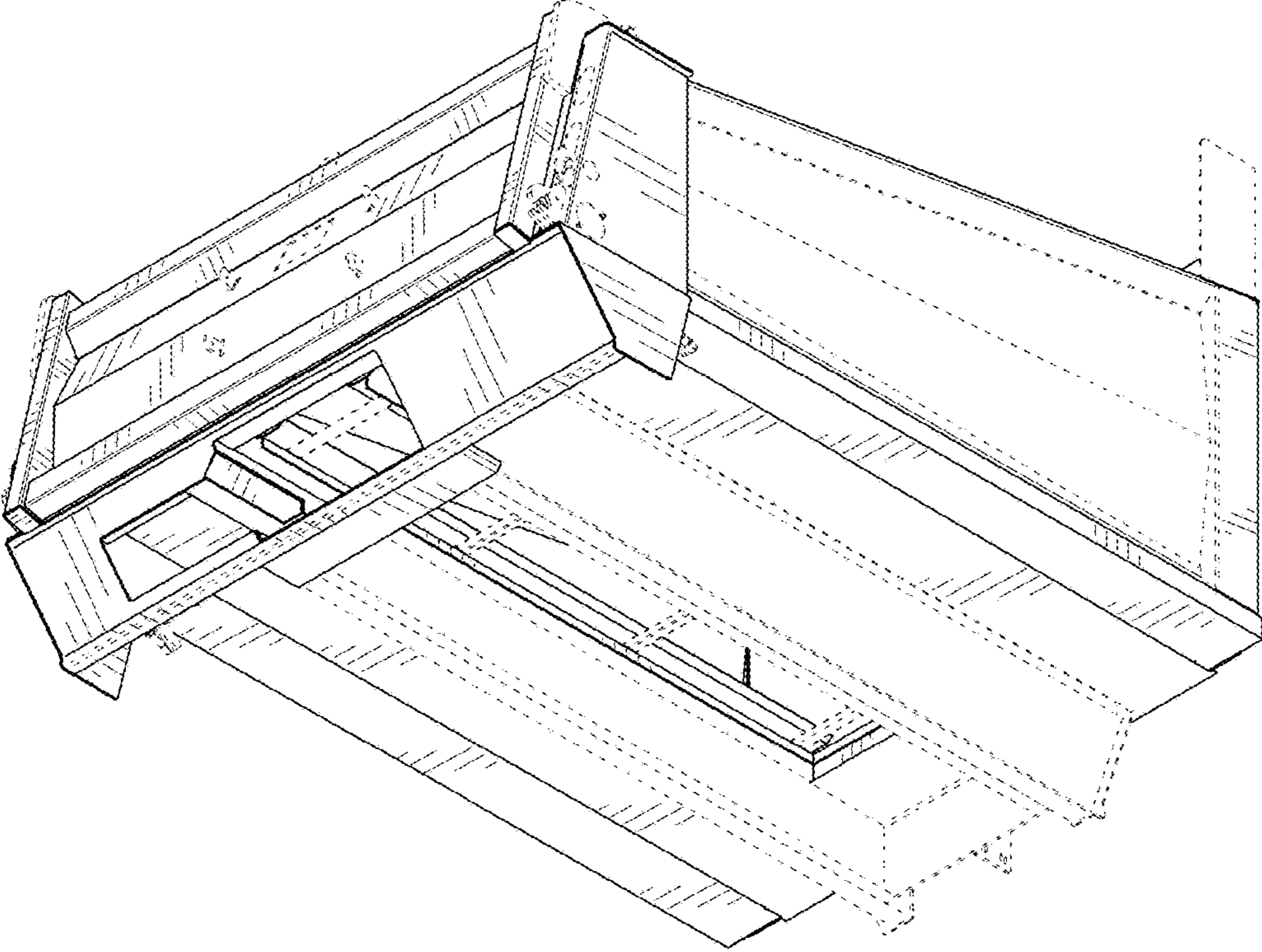


FIG. 2

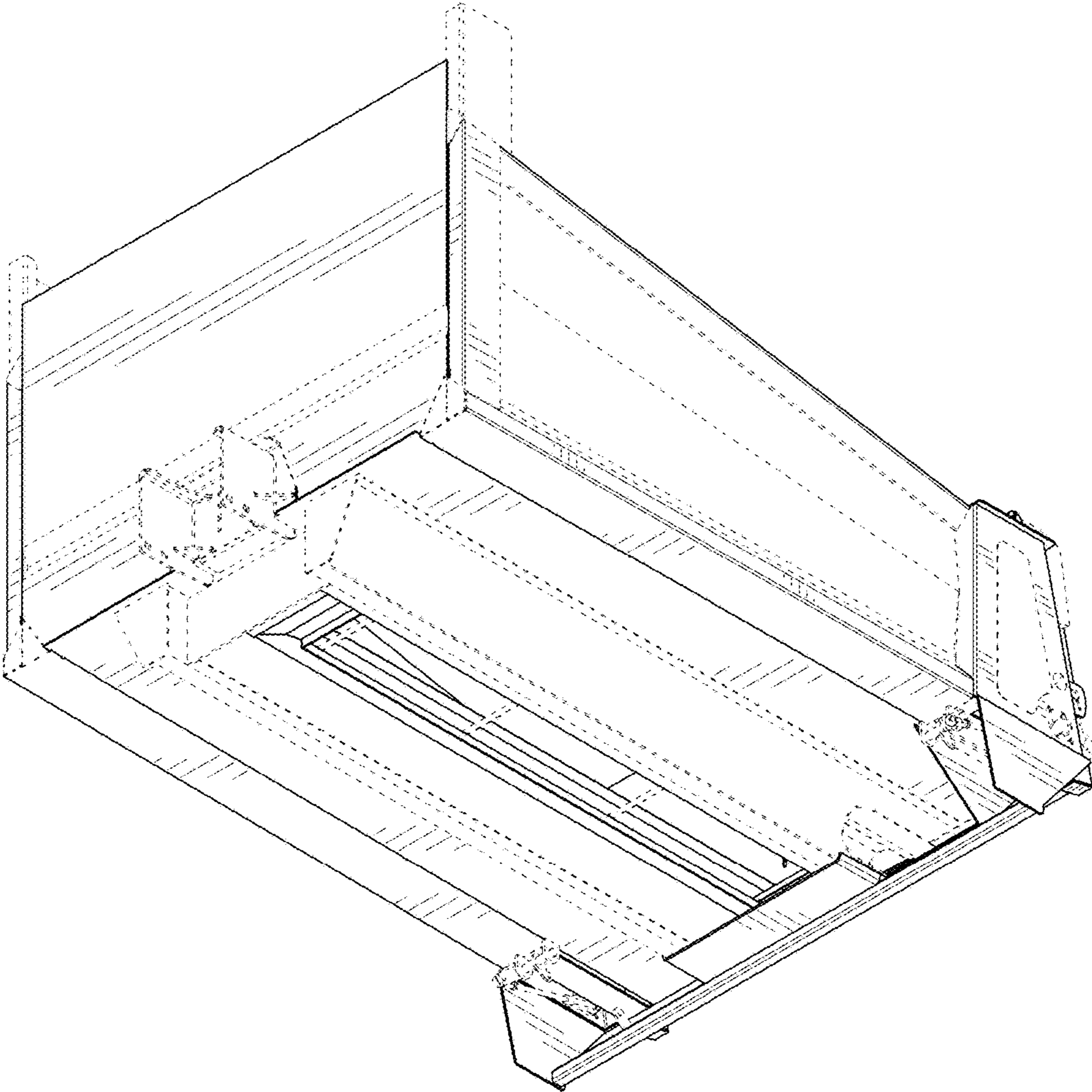


FIG. 3

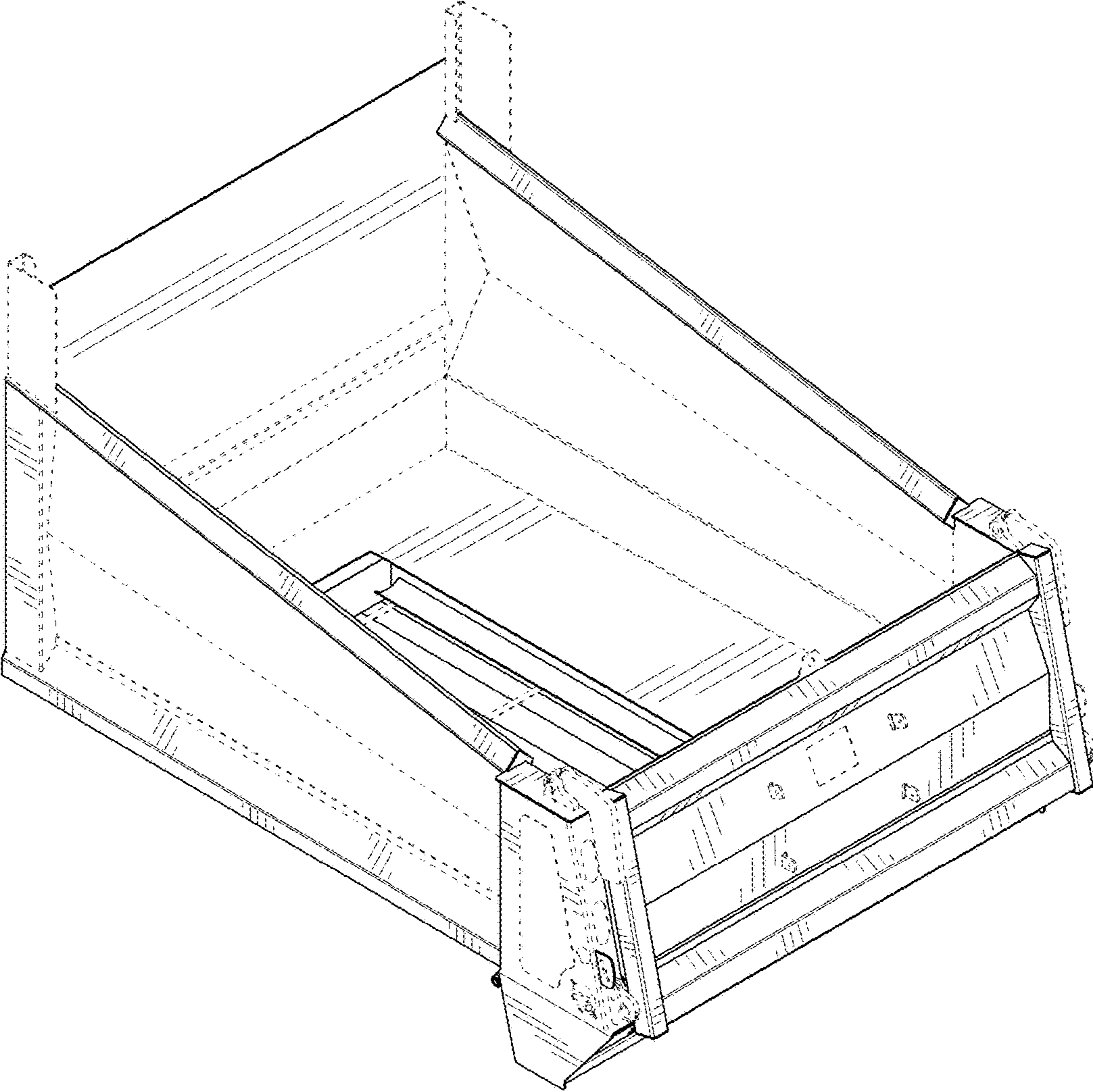


FIG. 4

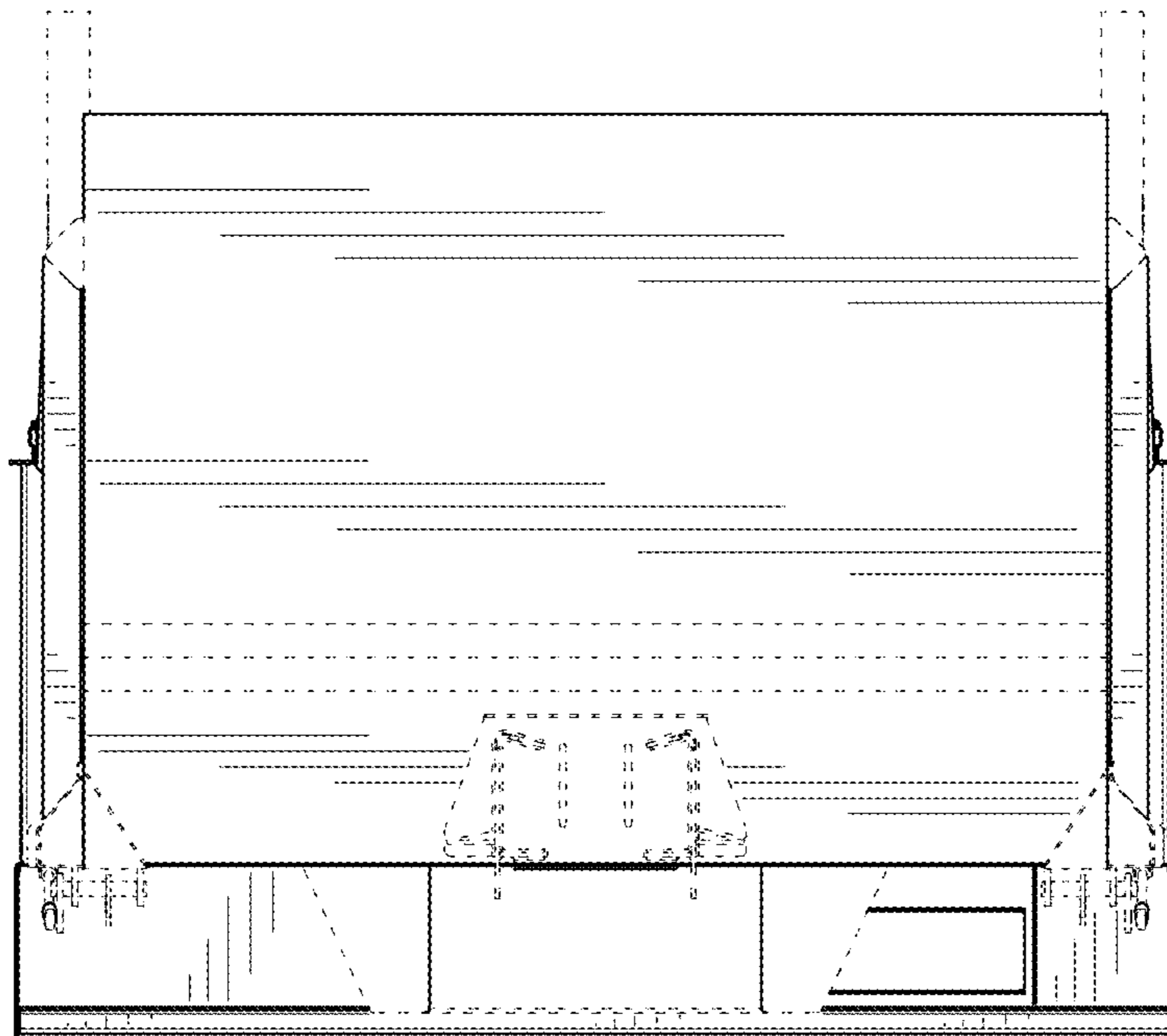


FIG. 5

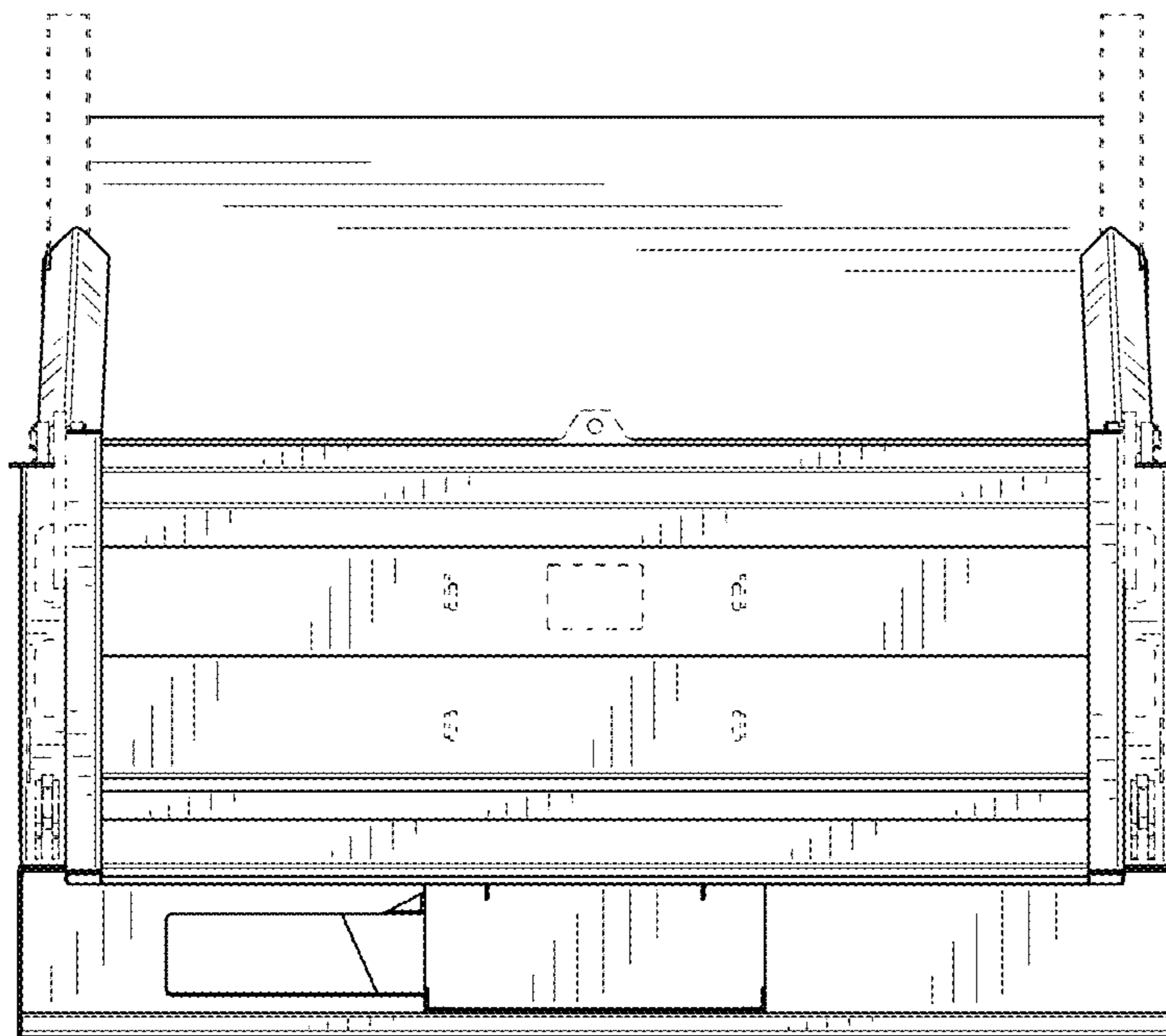


FIG. 6

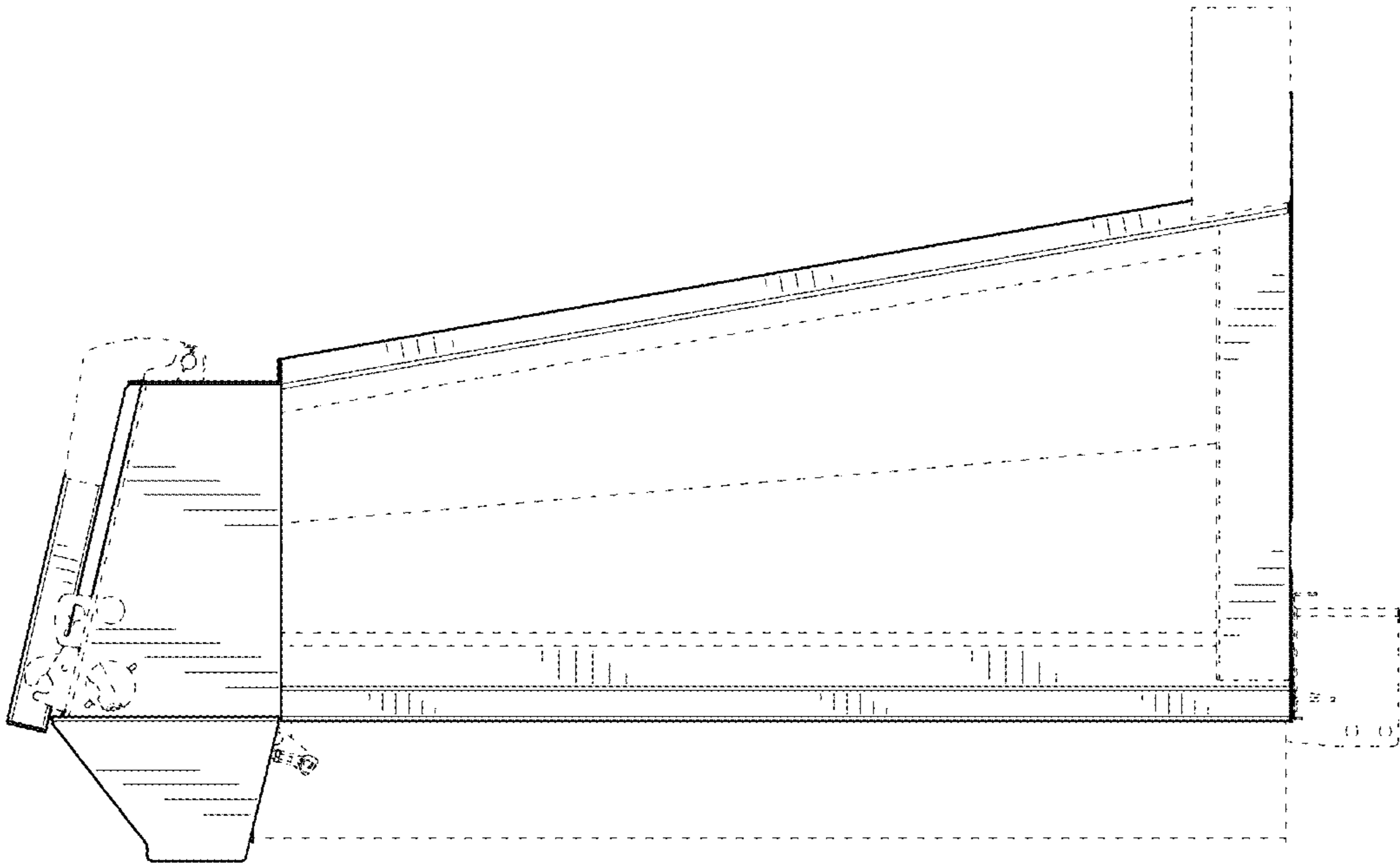


FIG. 7

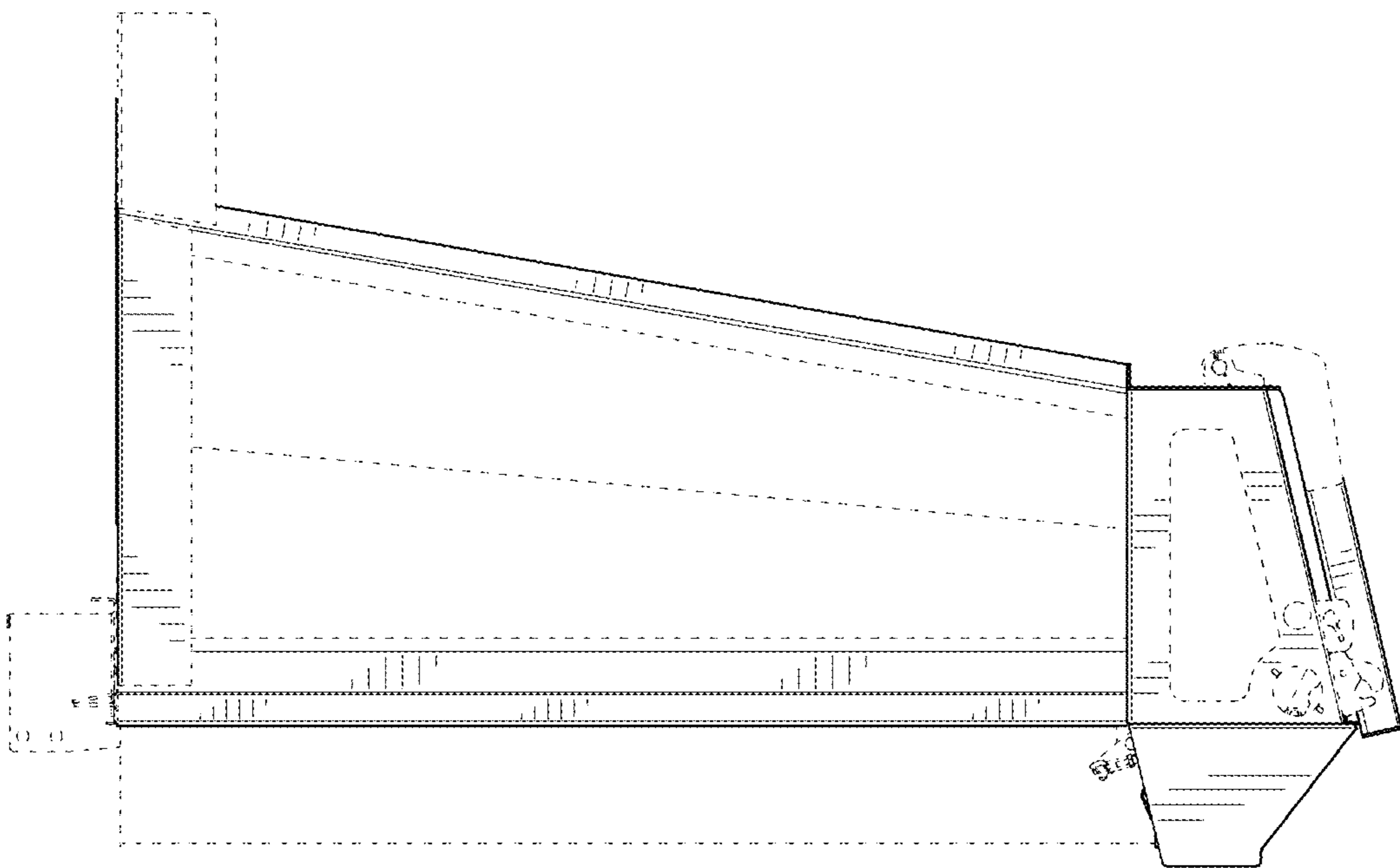


FIG. 8

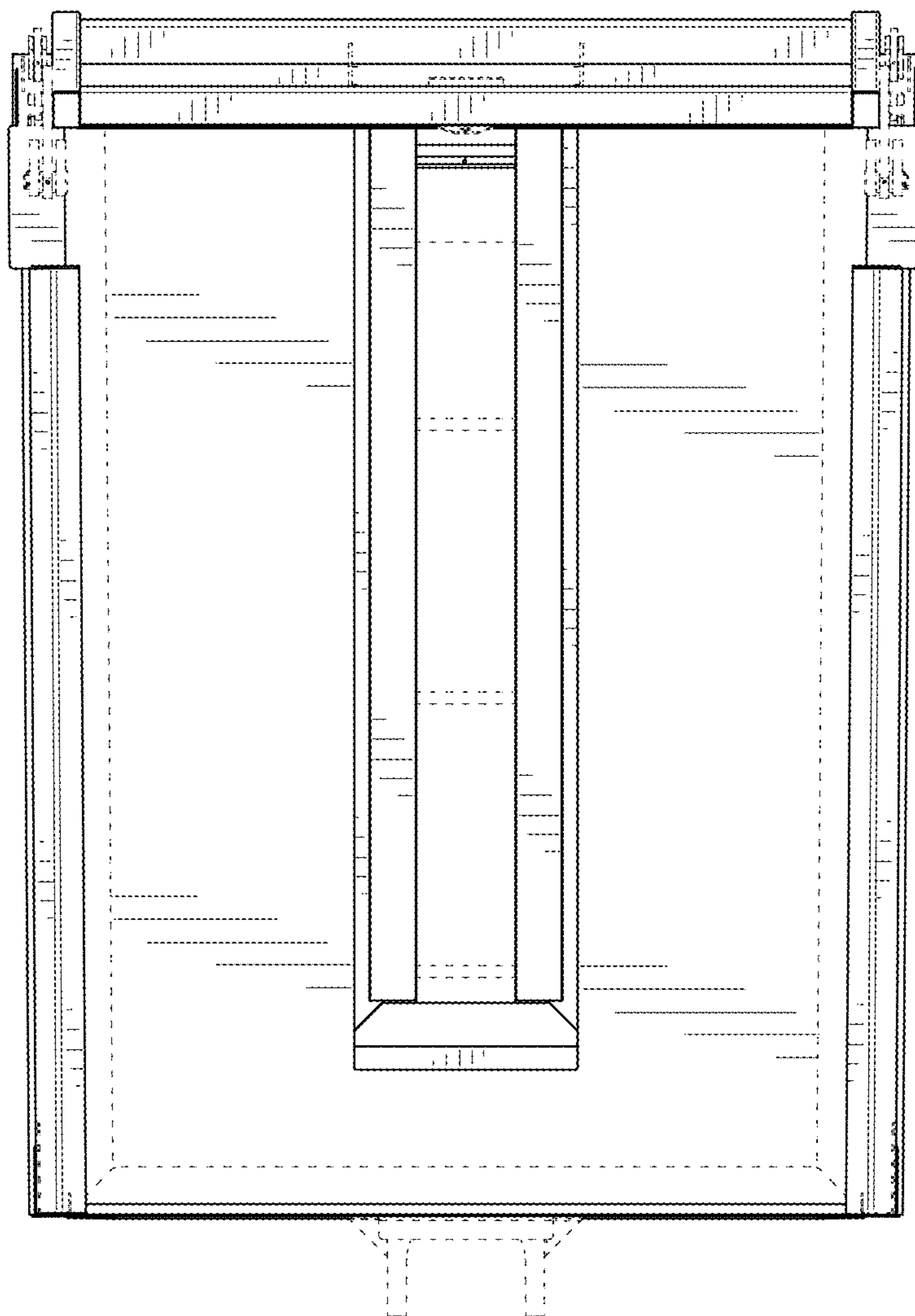


FIG. 9

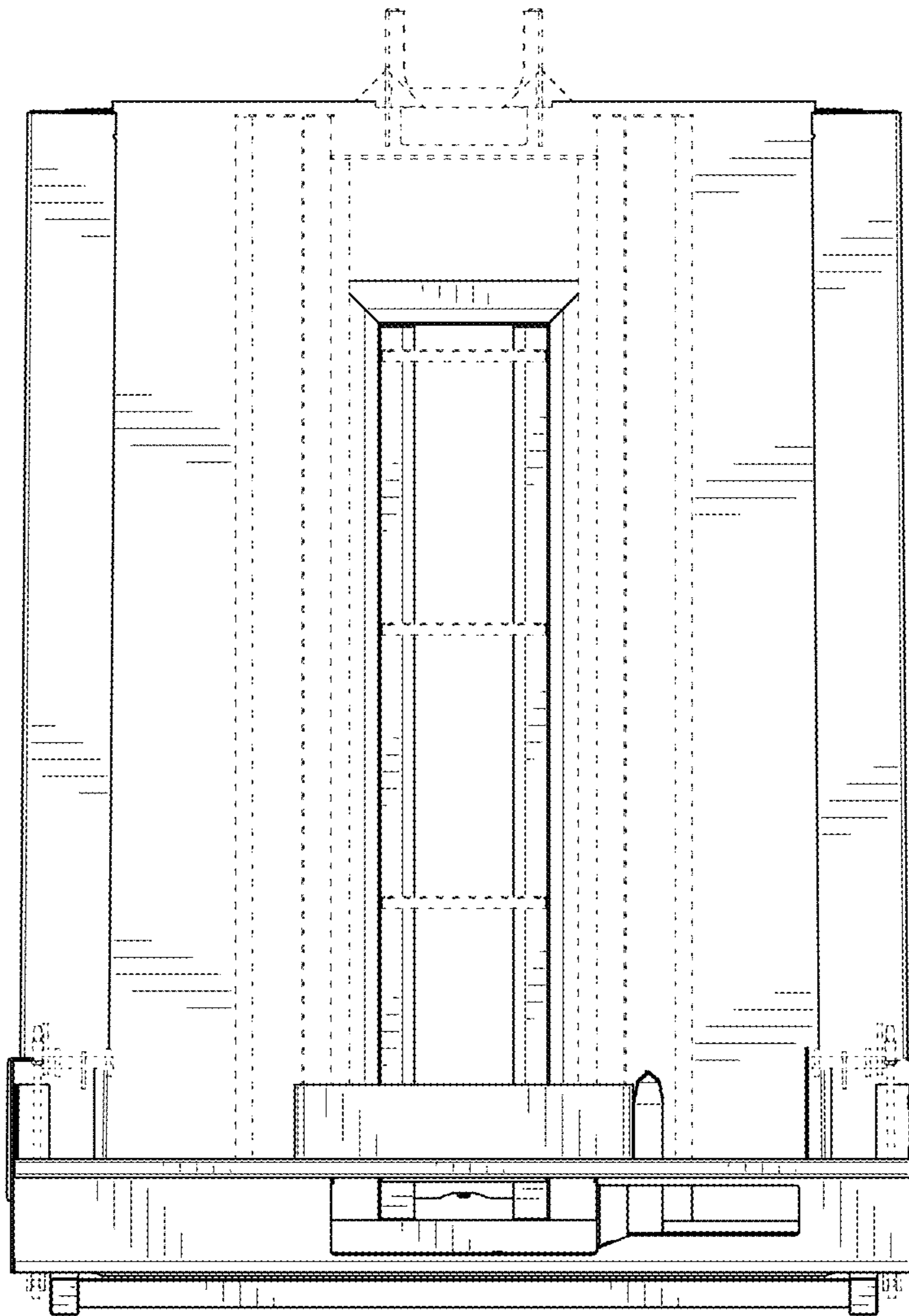


FIG. 10

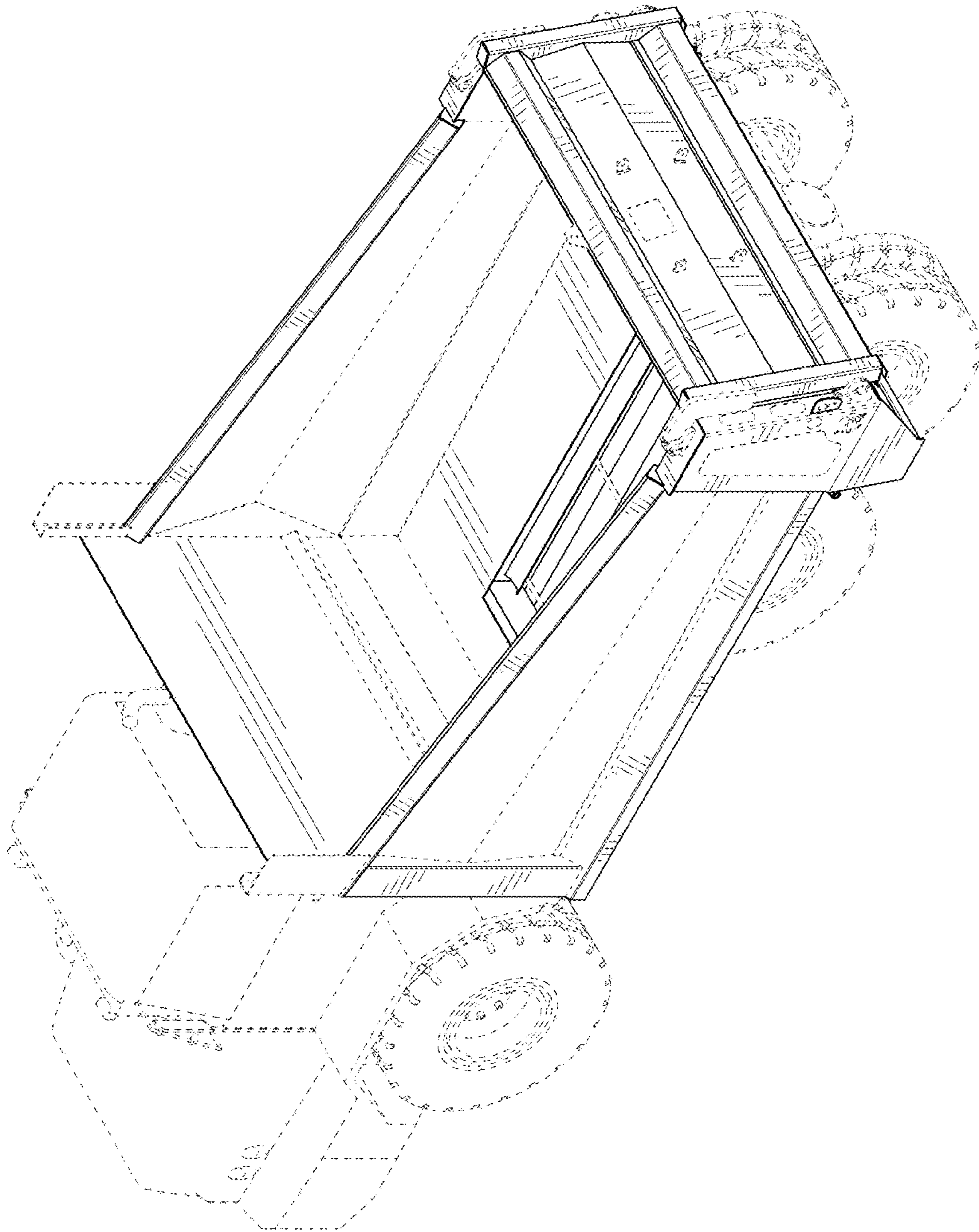


FIG. 11