



US00D832137S

(12) **United States Design Patent**
Larsson

(10) **Patent No.:** **US D832,137 S**

(45) **Date of Patent:** **** Oct. 30, 2018**

(54) **SNOWMOBILE ACCESSORY**

(71) Applicant: **Mora Contract Manufacturing AB,**
Mora (SE)

(72) Inventor: **Jan Larsson,** Mora (SE)

(73) Assignee: **MORA CONTRACT**
MANUFACTURING AB, Mora (SE)

(**) Term: **15 Years**

(21) Appl. No.: **29/575,933**

(22) Filed: **Aug. 30, 2016**

(30) **Foreign Application Priority Data**

Mar. 2, 2016 (EM) 003009752

(51) **LOC (11) Cl.** **12-14**

(52) **U.S. Cl.**
USPC **D12/7**

(58) **Field of Classification Search**
USPC D12/7, 8, 10, 9, 106, 101, 223; D8/349,
D8/354, 363, 355, 364, 366, 371, 373,
D8/380, 381, 394-396; D34/11-27
CPC B62B 15/007; B62B 17/06; B62B 19/02;
B62B 1/26; B62B 13/18; B62B 15/004;
B62B 15/008; B62B 19/00; A63C 5/00;
B62M 27/00; B62M 27/02; B62M
2027/025; B62M 2027/026; B62M
2027/028; B62M 2027/021; B62M
2027/022; B60K 11/04

See application file for complete search history.

(56) **References Cited**

U.S. PATENT DOCUMENTS

D45,903 S * 6/1914 Dennis D8/366
5,441,378 A * 8/1995 Puls B60P 3/062
254/8 R

D788,640 S * 6/2017 Larsson D12/7
2002/0060102 A1 * 5/2002 Boivin B62B 17/04
180/184
2006/0151983 A1 * 7/2006 Despres B62B 13/18
280/767
2007/0221424 A1 * 9/2007 Giese B62M 27/02
180/193
2008/0315541 A1 * 12/2008 Konopa B62B 1/26
280/47.131
2010/0126440 A1 * 5/2010 Hokimoto B60K 11/04
123/41.49
2014/0054868 A1 * 2/2014 Ouellette A63C 5/00
280/9
2015/0123360 A1 * 5/2015 Ouellette A63C 5/00
280/9
2016/0368746 A1 * 12/2016 Thomsen B66F 5/02

* cited by examiner

Primary Examiner — T Chase Nelson

Assistant Examiner — Ania Aman

(74) *Attorney, Agent, or Firm* — Gabriela B. Tomescu,
Esq.; Bergensträhle & Partners AB

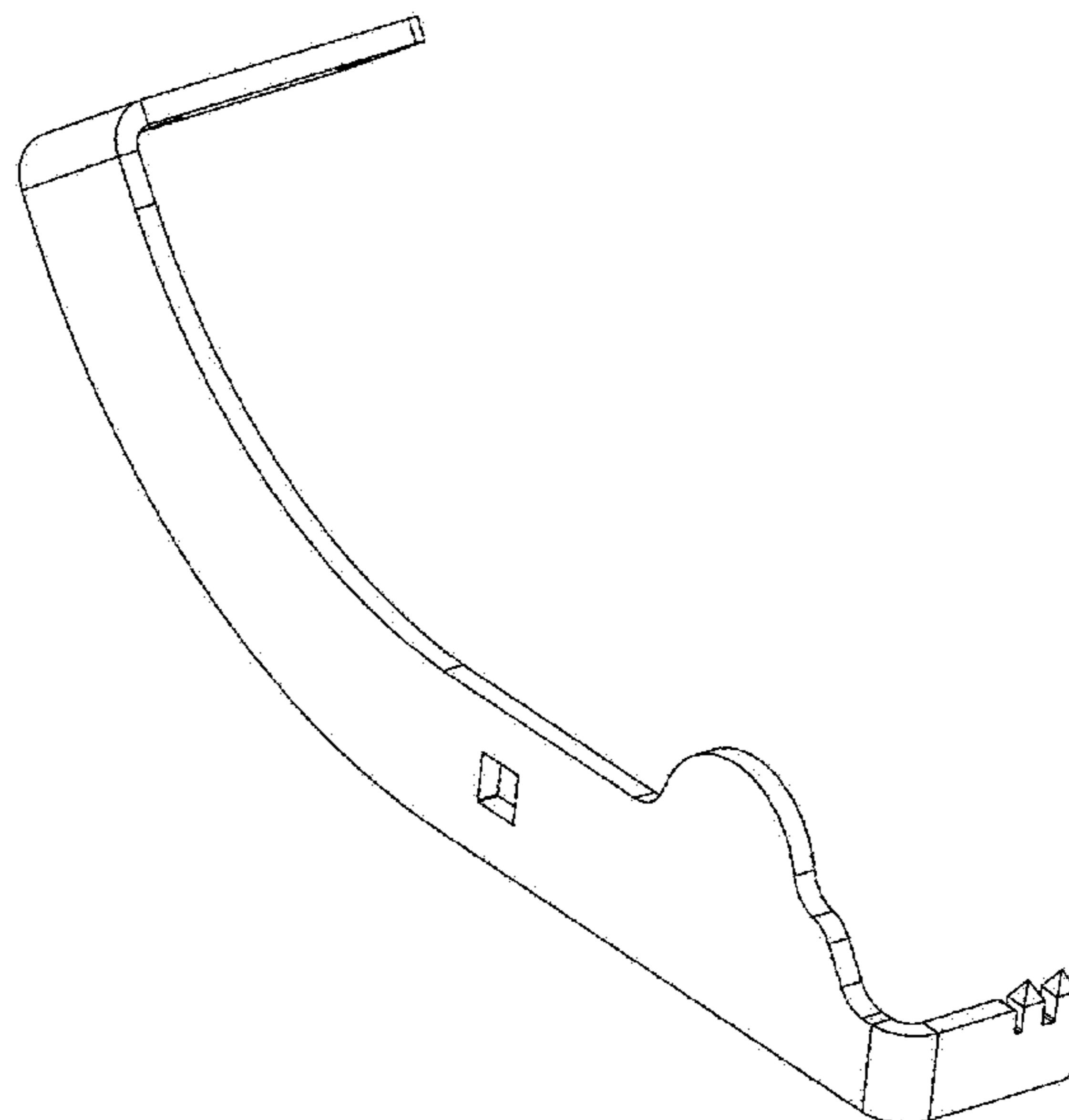
(57) **CLAIM**

The ornamental design for a snowmobile accessory, as shown and described.

DESCRIPTION

FIG. 1 is a perspective view of a snowmobile accessory according to the present invention;
FIG. 2 is an opposite perspective view thereof;
FIG. 3 is one side view thereof;
FIG. 4 is an opposite side view thereof;
FIG. 5 is an end view thereof;
FIG. 6 is a plan view thereof; and,
FIG. 7 is a bottom view thereof.

1 Claim, 4 Drawing Sheets



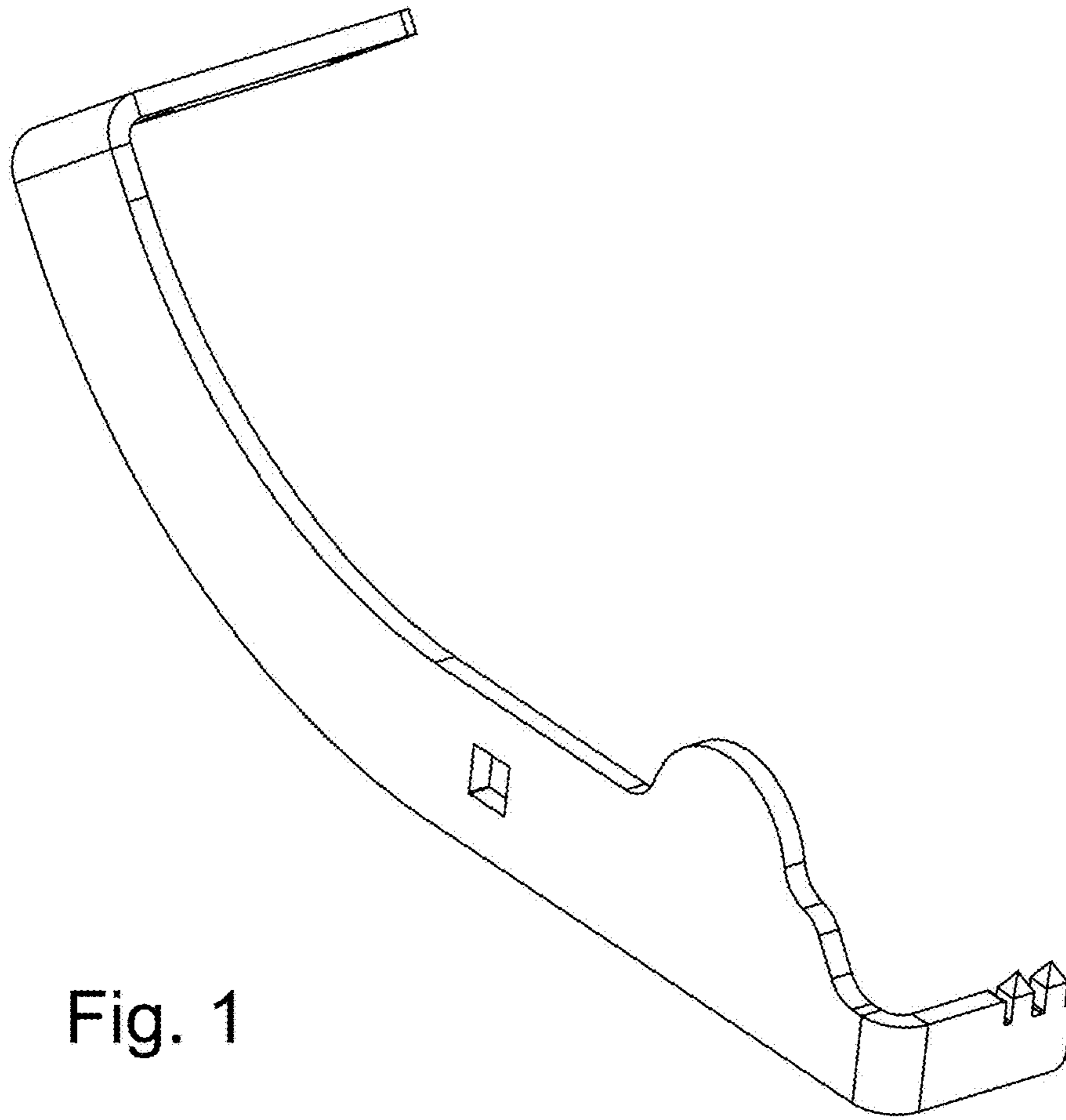


Fig. 1

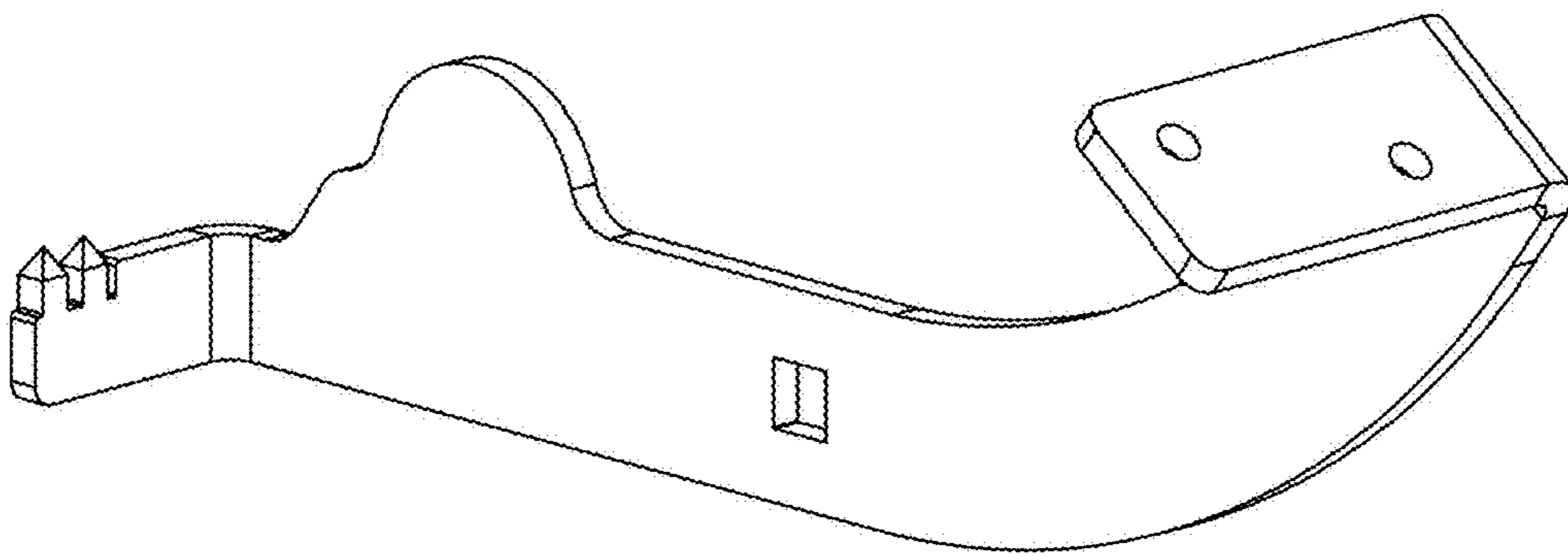


Fig. 2

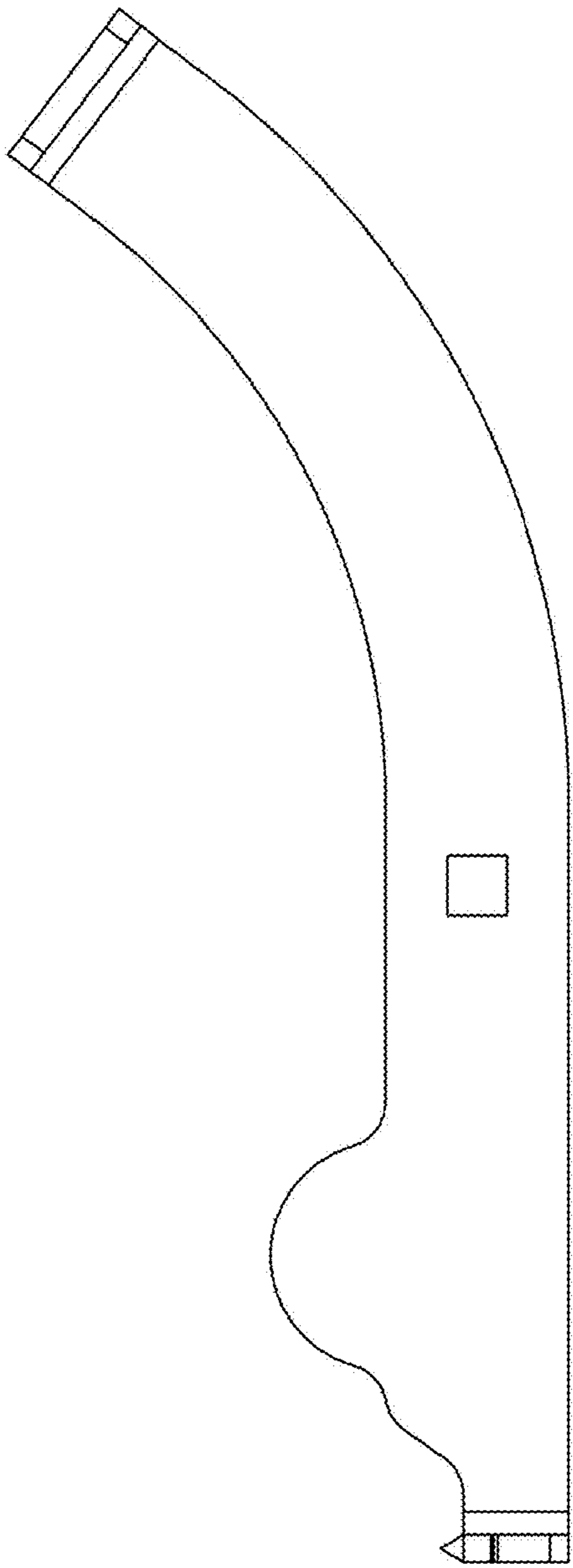


Fig. 3

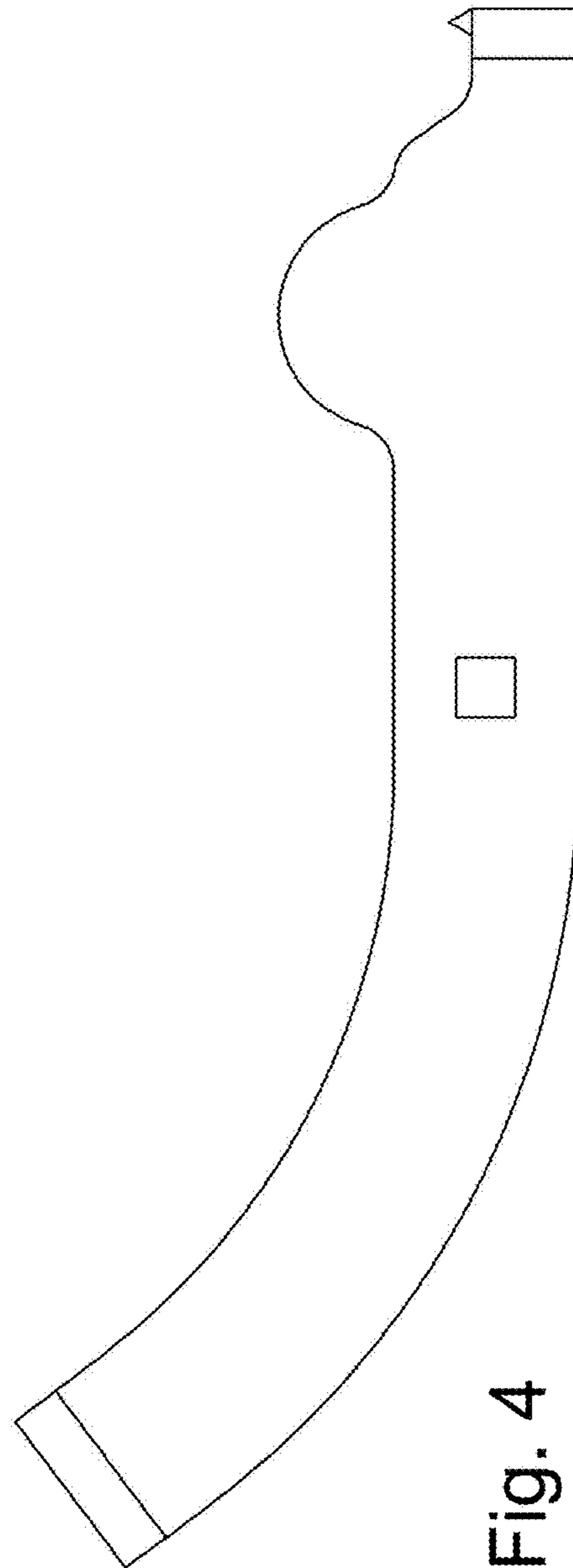


Fig. 4

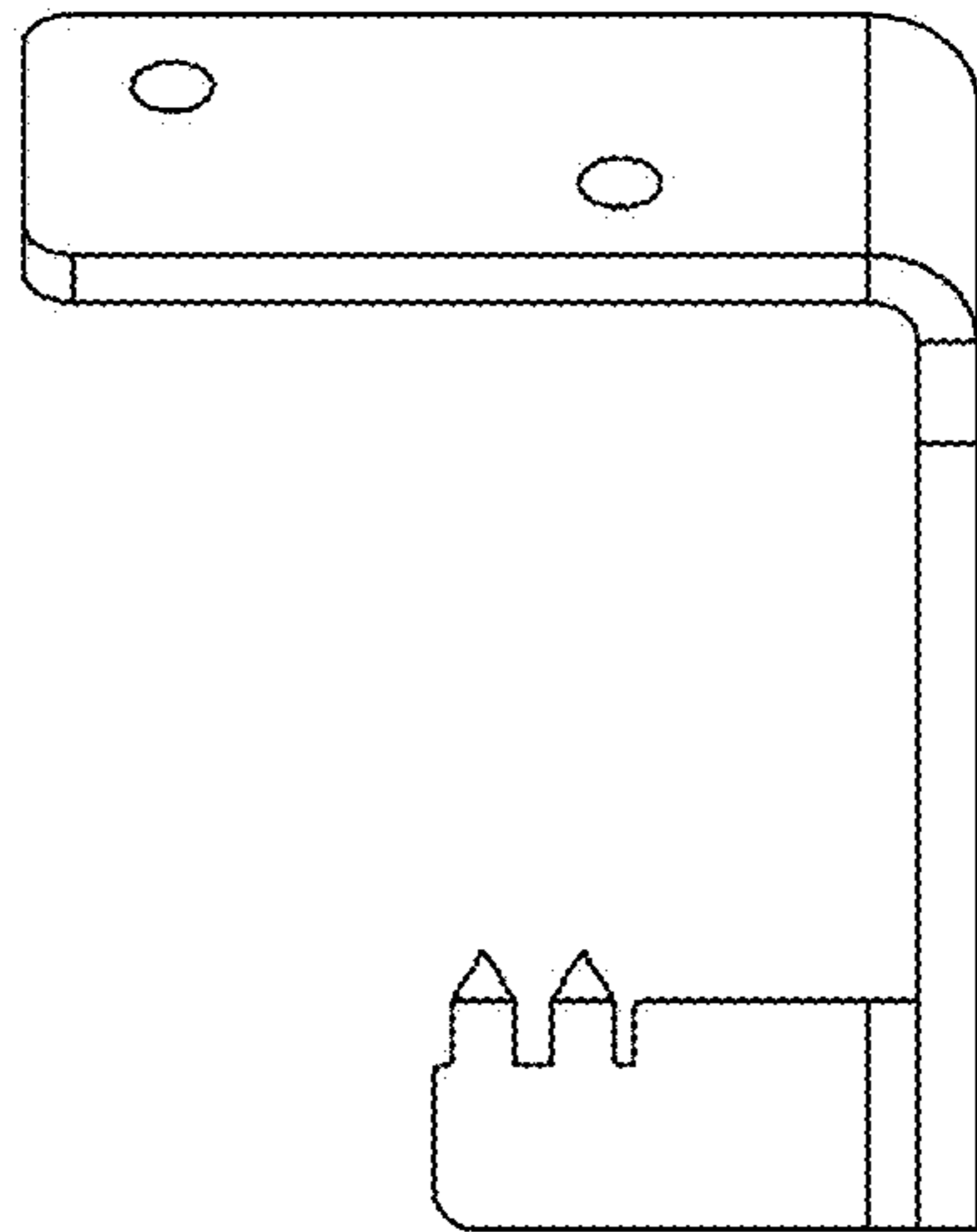


Fig. 5

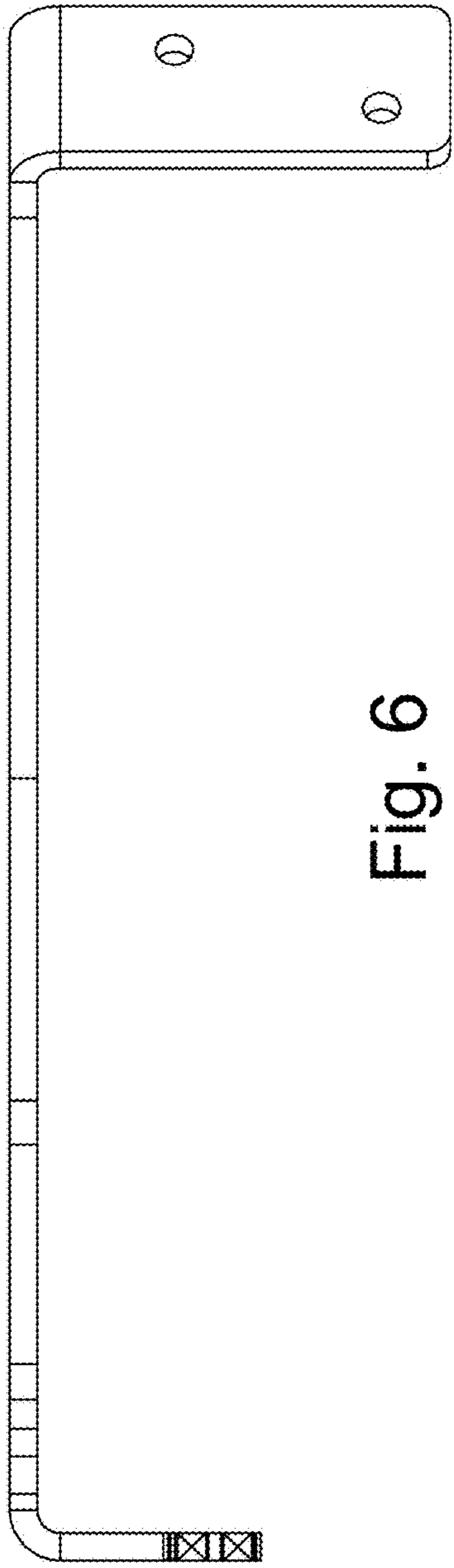


Fig. 6

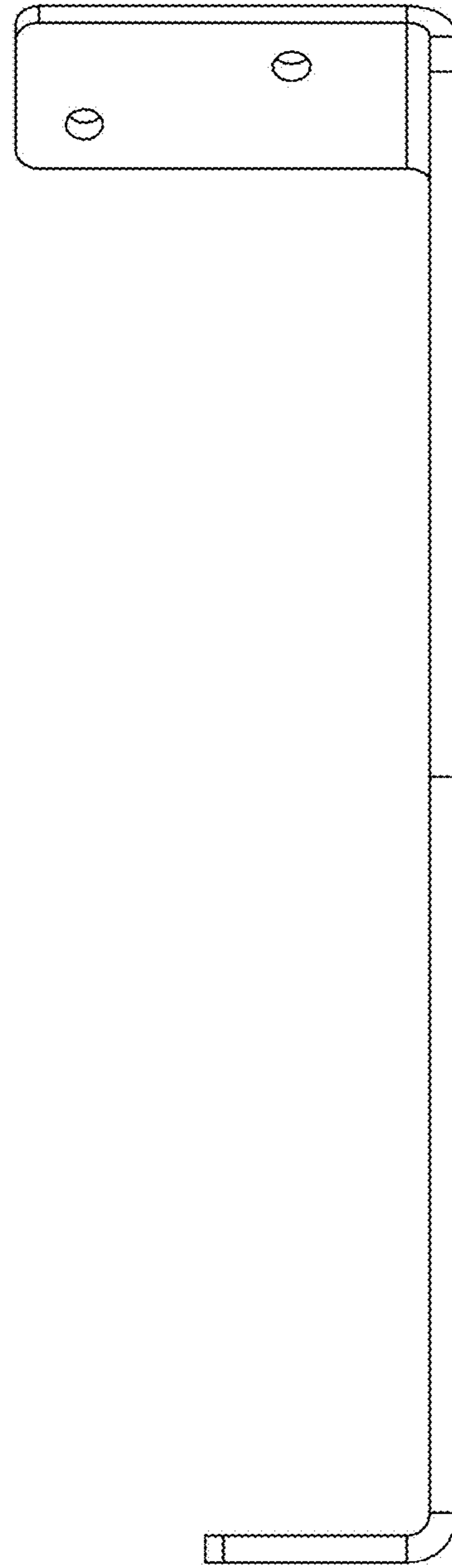


Fig. 7