



US00D832135S

(12) **United States Design Patent** (10) **Patent No.:** **US D832,135 S**  
**Gentile** (45) **Date of Patent:** **\*\* Oct. 30, 2018**

(54) **PLANT COVER**

7,669,366 B2 3/2010 Felknor  
7,845,112 B2 12/2010 Felknor  
2017/0225856 A1\* 8/2017 Duran ..... B65D 55/026

(71) Applicant: **ALLSTAR MARKETING GROUP, LLP**, Hawthorne, NY (US)

\* cited by examiner

(72) Inventor: **Thomas Gentile**, Mahopac, NY (US)

*Primary Examiner* — Karen S Acker  
*Assistant Examiner* — Steven B Reinholdt, Jr.

(73) Assignee: **ALLSTAR MARKETING GROUP, LLC**, Hawthorne, NY (US)

(74) *Attorney, Agent, or Firm* — Andrew F. Young, Esq.;  
Lackebach Siegel, LLP

(\*\*) Term: **15 Years**

(57) **CLAIM**

The ornamental design for a plant cover, as shown and described.

(21) Appl. No.: **29/585,854**

**DESCRIPTION**

(22) Filed: **Nov. 29, 2016**

(51) **LOC (11) Cl.** ..... **11-02**

(52) **U.S. Cl.**  
USPC ..... **D11/152**

(58) **Field of Classification Search**  
USPC ..... D11/17, 22, 130.1, 152, 154  
CPC ..... B65B 25/026; B65B 25/02; B65D 85/52  
See application file for complete search history.

FIG. 1 is a top perspective view of a plant cover showing our new design.

FIG. 2 is a bottom perspective view thereof.

FIG. 3 is a front side elevation side thereof, the rear side elevation view thereof being a mirror image thereof in view of the disclaimed details noted; as will be the left side elevation view and right side elevation view thereof.

FIG. 4 is a top plan view thereof.

FIG. 5 is a bottom plan view thereof.

FIG. 6 is a sectional view along section 6-6 in FIG. 4 thereof; and,

FIG. 7 is a sectional view along section 7-7 in FIG. 4.

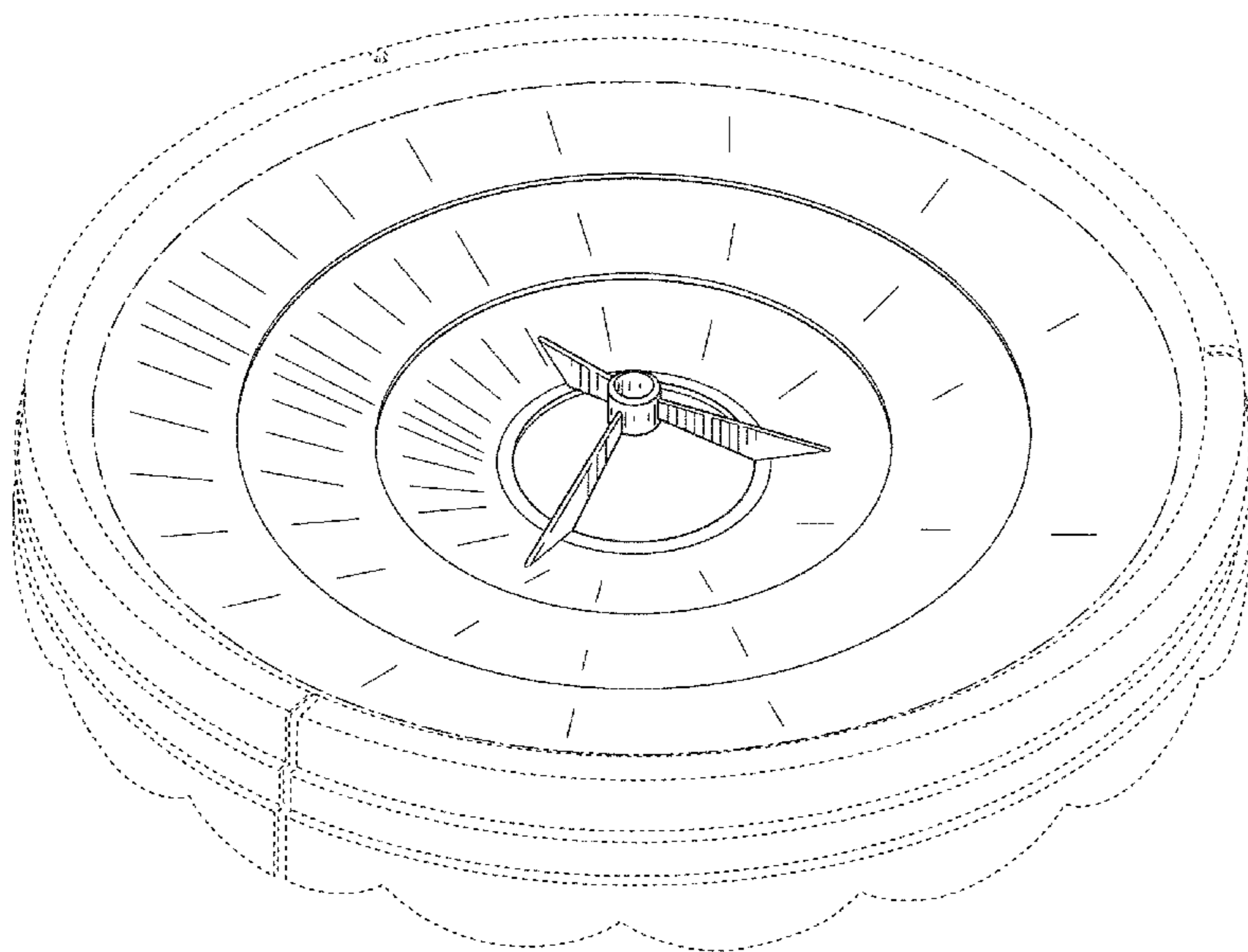
The surfaces are lightly lined for contour only. No claim is made to surface texture of the particular design. The dash-dot-dash lines demark the boundary of disclaimed portions shown in dash-dash lining that represent unclaimed environmental matter only and form no part of the claimed design. Therefore, there is no claim to the outer periphery thereof, as noted by the side view in FIG. 3 for representative of side views as the design is uniform around the central axis see from the center of FIG. 4.

(56) **References Cited**

U.S. PATENT DOCUMENTS

1,853,164	A *	4/1932	Block	.....	A47G 33/12 248/524
D188,862	S *	9/1960	Krastel et al.	.....	D11/130.1
D210,302	S *	2/1968	Lansford	.....	D11/152
D307,561	S *	5/1990	Chulick	.....	D11/130.1
5,412,906	A *	5/1995	Weder	.....	A47G 7/085 220/23.87
D366,008	S *	1/1996	Newcomer	.....	D11/130.1
D373,327	S *	9/1996	Rush	.....	D11/130.1
6,298,600	B1 *	10/2001	Feldman	.....	A47G 7/047 47/67
6,874,278	B2	4/2005	Felknor et al.		

**1 Claim, 6 Drawing Sheets**



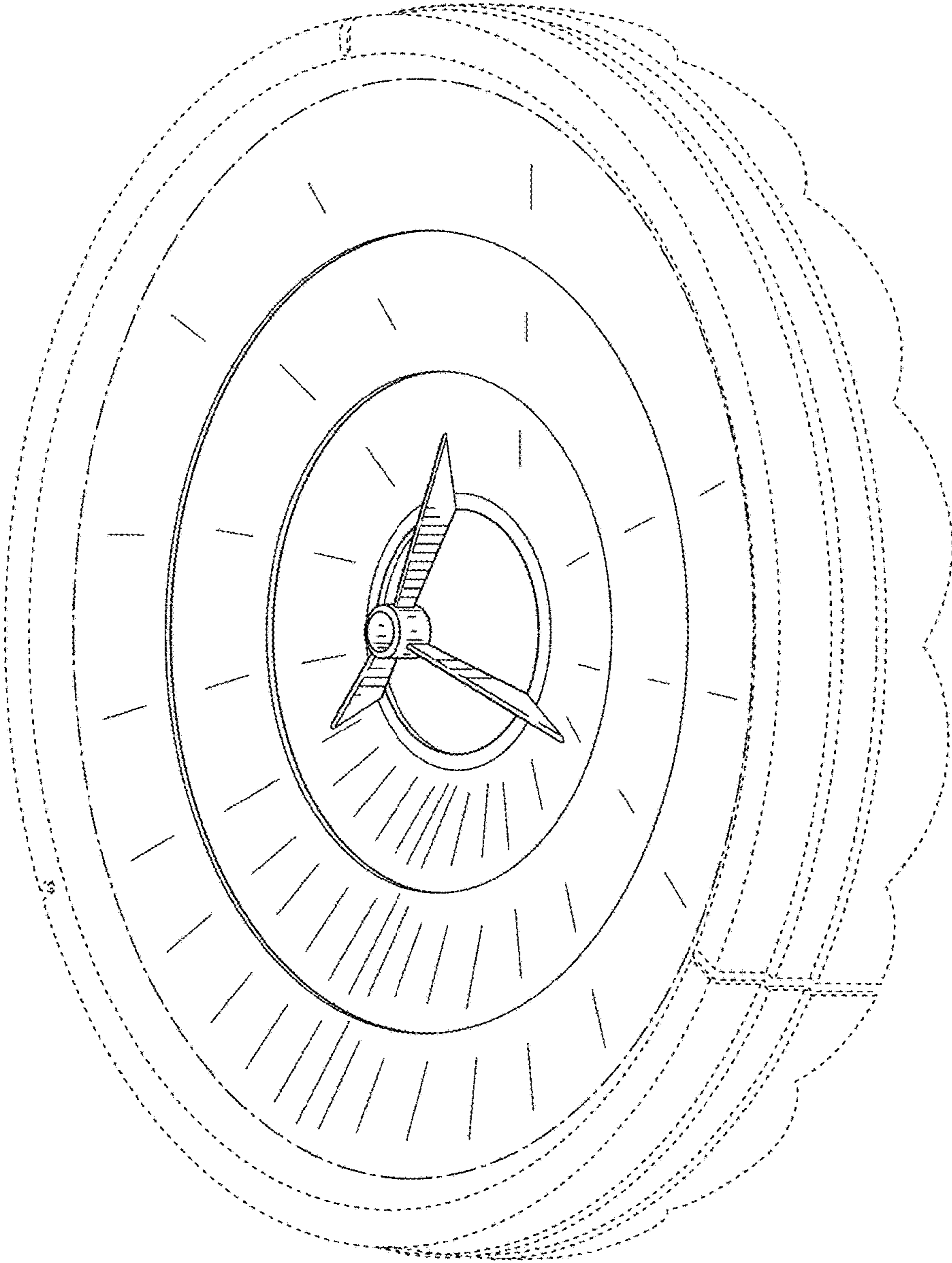


FIG. 1

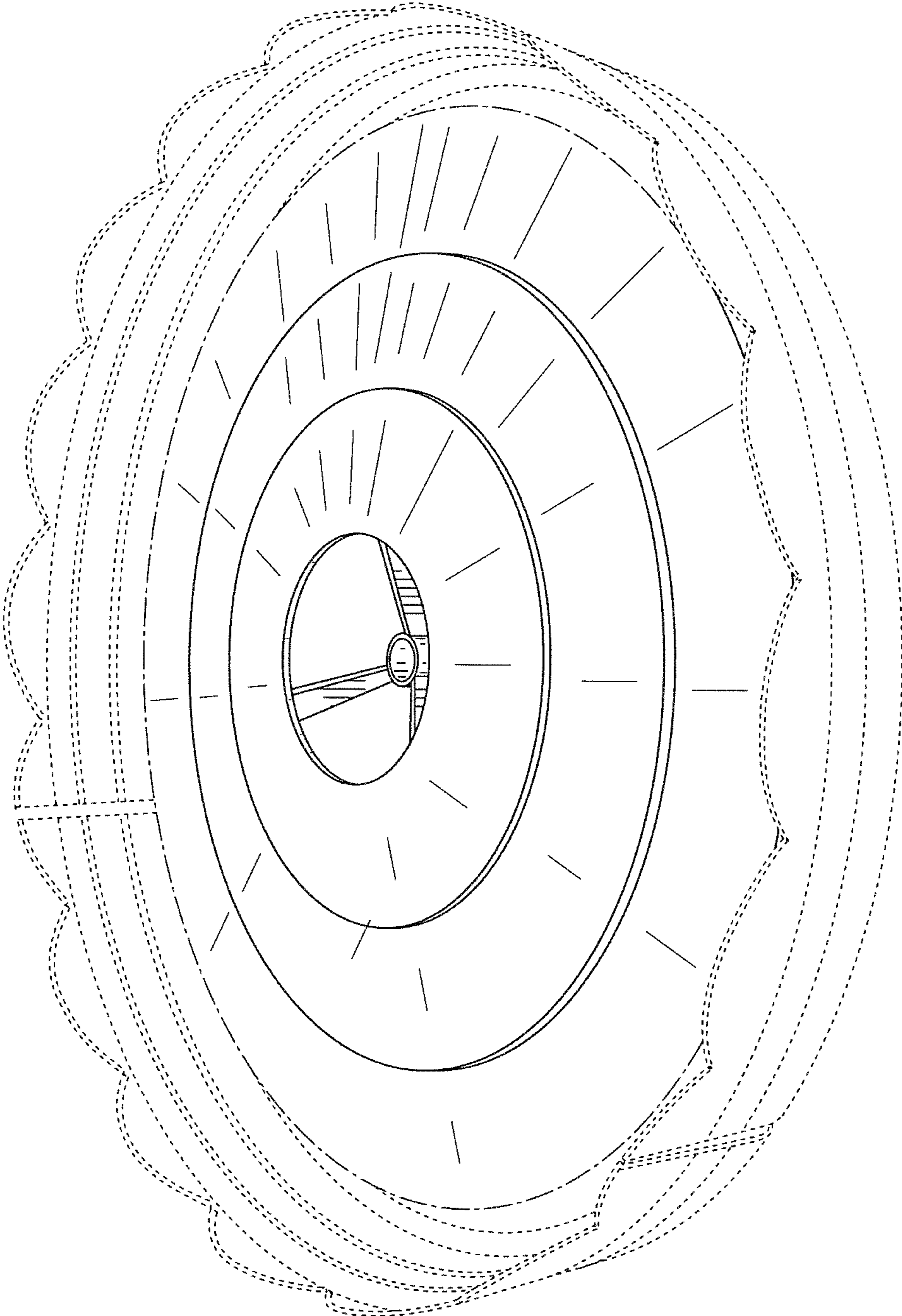
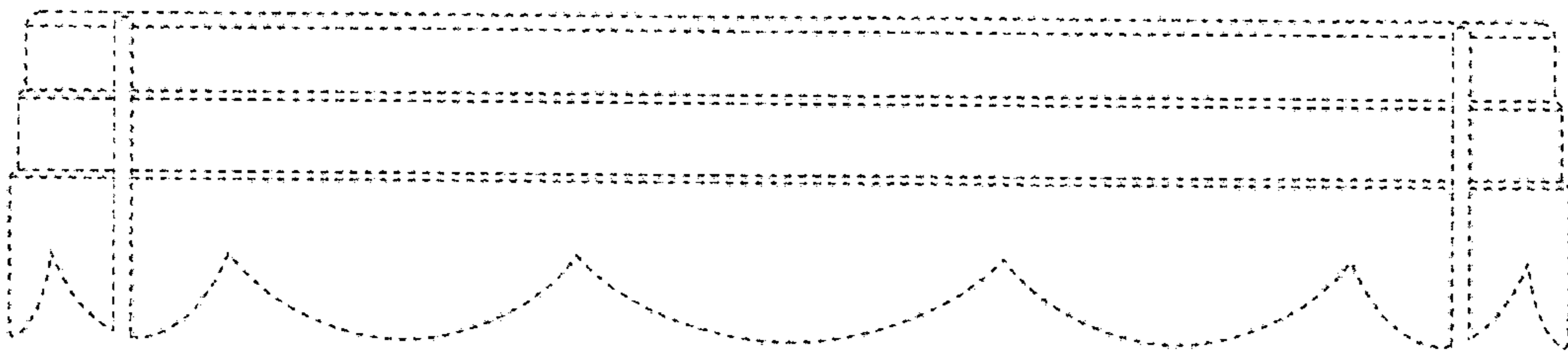


FIG. 2



**FIG. 3**



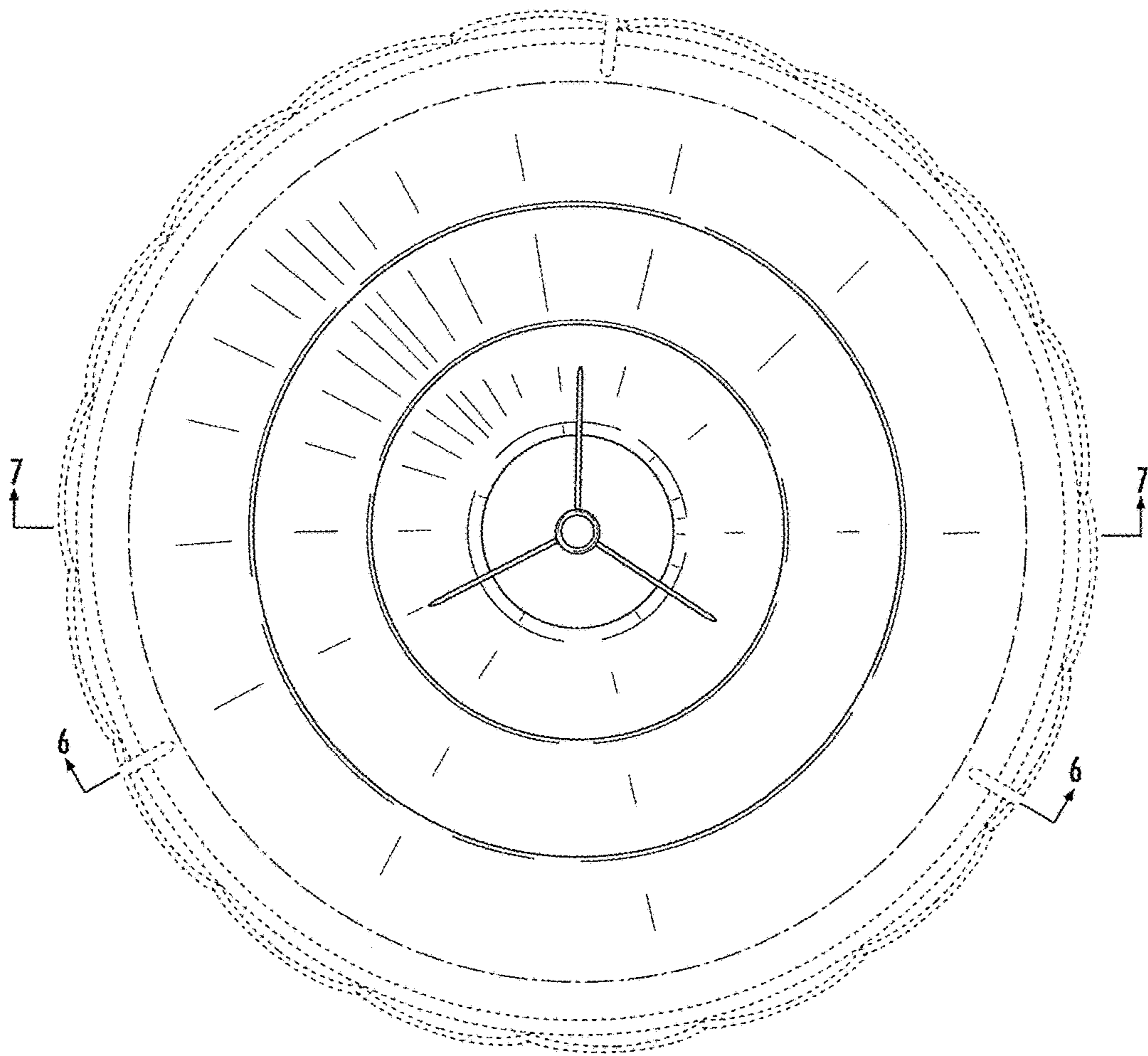


FIG. 4

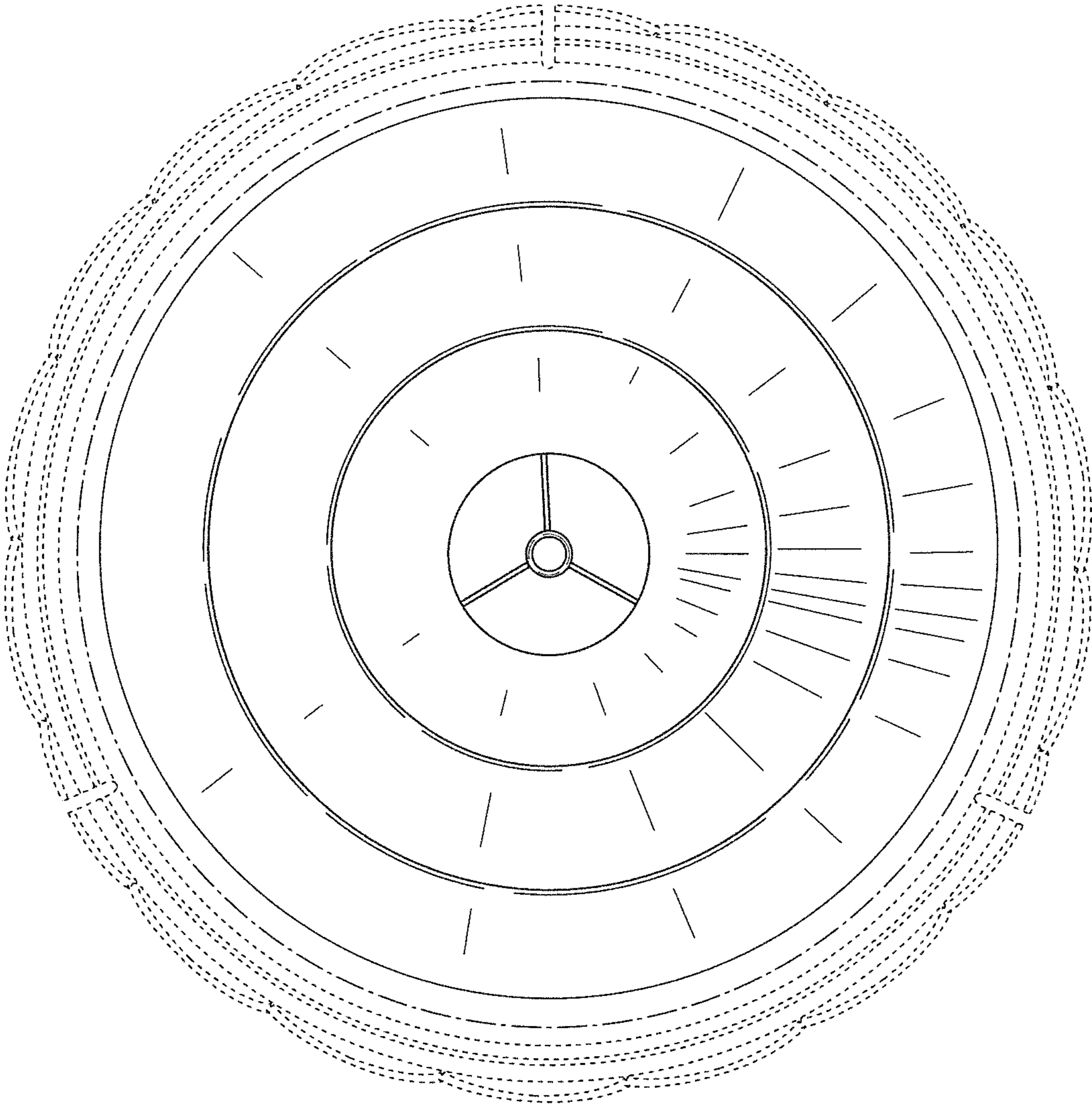


FIG. 5

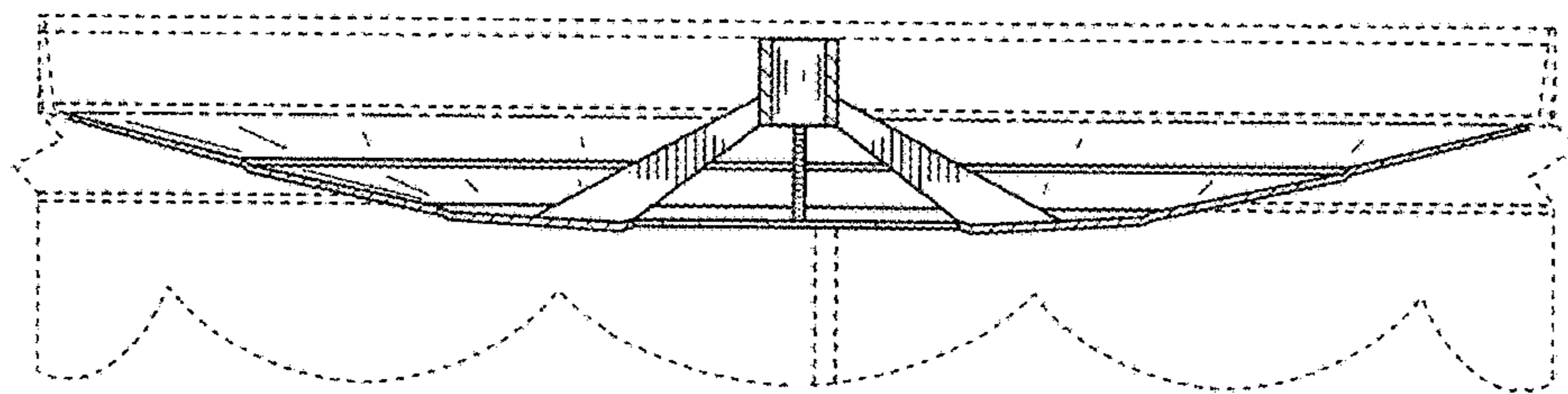


FIG. 6

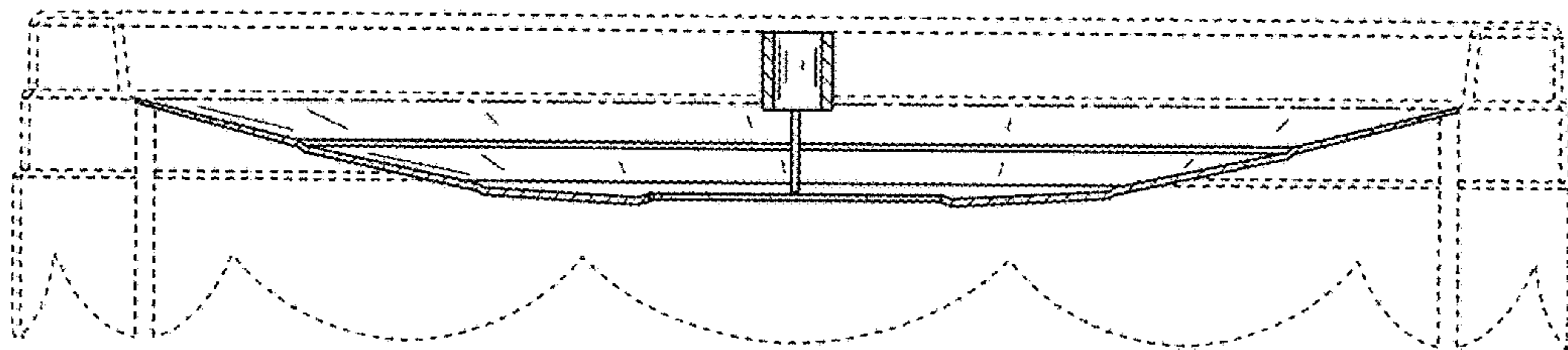


FIG. 7