



US00D832125S

(12) **United States Design Patent**
Goltche

(10) **Patent No.:** **US D832,125 S**

(45) **Date of Patent:** **** Oct. 30, 2018**

(54) **LED LIGHT BAR**

(71) Applicant: **Yehuda Goltche**, Great Neck, NY (US)

(72) Inventor: **Yehuda Goltche**, Great Neck, NY (US)

(**) Term: **15 Years**

(21) Appl. No.: **29/605,476**

(22) Filed: **May 26, 2017**

(51) **LOC (11) Cl.** **10-05**

(52) **U.S. Cl.**

USPC **D10/114.4**

(58) **Field of Classification Search**

USPC D10/104.1, 109.1, 109.2, 110, 111,
D10/114.1–114.8; D26/102, 104, 118,
D26/120, 122; D12/401, 406, 412, 414,
D12/190

CPC F21W 2101/02; F21W 2101/10; F21W
2101/14

See application file for complete search history.

(56) **References Cited**

U.S. PATENT DOCUMENTS

D602,391 S *	10/2009	Stein	D10/114.4
D610,932 S *	3/2010	Shin	D10/114.4
D614,987 S *	5/2010	Kaffash	D10/114.4
D626,023 S *	10/2010	Shin	D10/114.4
D631,771 S *	2/2011	Kuo	D10/114.4
D637,509 S *	5/2011	Shin	D10/114.4
D651,927 S *	1/2012	Kuo	D10/114.4
D667,746 S *	9/2012	Yu	D10/114.4
D700,098 S *	2/2014	Deyaf	D10/114.4

D751,444 S *	3/2016	Goltche	D10/114.4
D782,933 S *	4/2017	Goltche	D10/114.4
D783,436 S *	4/2017	Goltche	D10/114.4
D787,358 S *	5/2017	Yu	D10/114.4

* cited by examiner

Primary Examiner — George D. Kirschbaum

Assistant Examiner — Joseph J Kukella

(74) *Attorney, Agent, or Firm* — Dunlap Bennett & Ludwig PLLC

(57) **CLAIM**

The ornamental design for a LED light bar, as shown and described.

DESCRIPTION

FIG. 1 is a top front perspective view of a LED light bar, showing my new design;

FIG. 2 is a top plan view thereof;

FIG. 3 is a bottom plan view thereof;

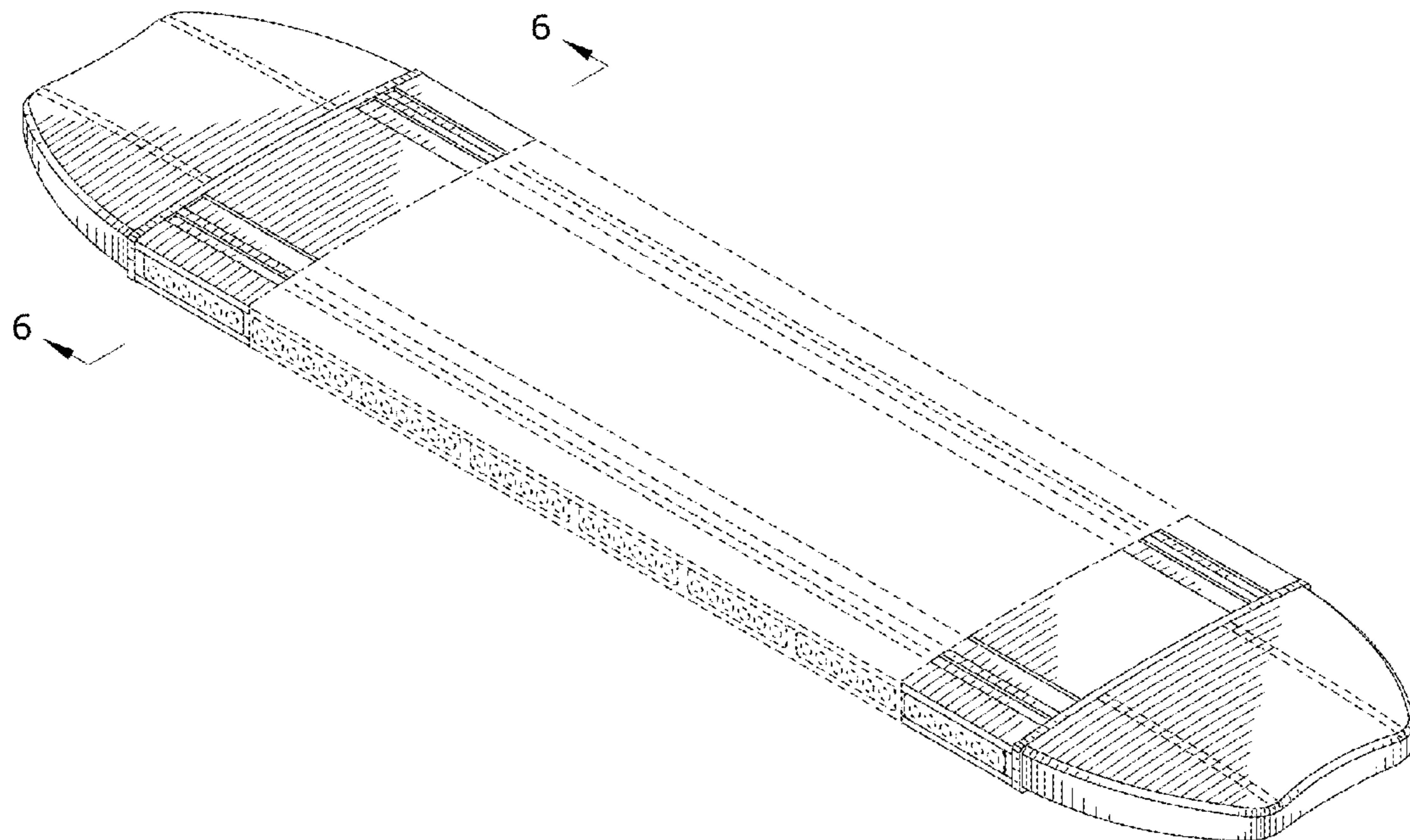
FIG. 4 is a front elevation view thereof, the rear elevation view being a mirror image thereof;

FIG. 5 is a left side elevation view thereof, the right side elevation view being a mirror image thereof; and,

FIG. 6 is a section view of FIG. 1, taken along line 6-6.

The unequal-sized broken (dash-dot-dash) lines depict the bounds of the claimed design, while the remaining equal-sized broken (dash-dash) lines shown in the drawings depict portions of the LED light bar that form no part of the claimed design.

1 Claim, 3 Drawing Sheets



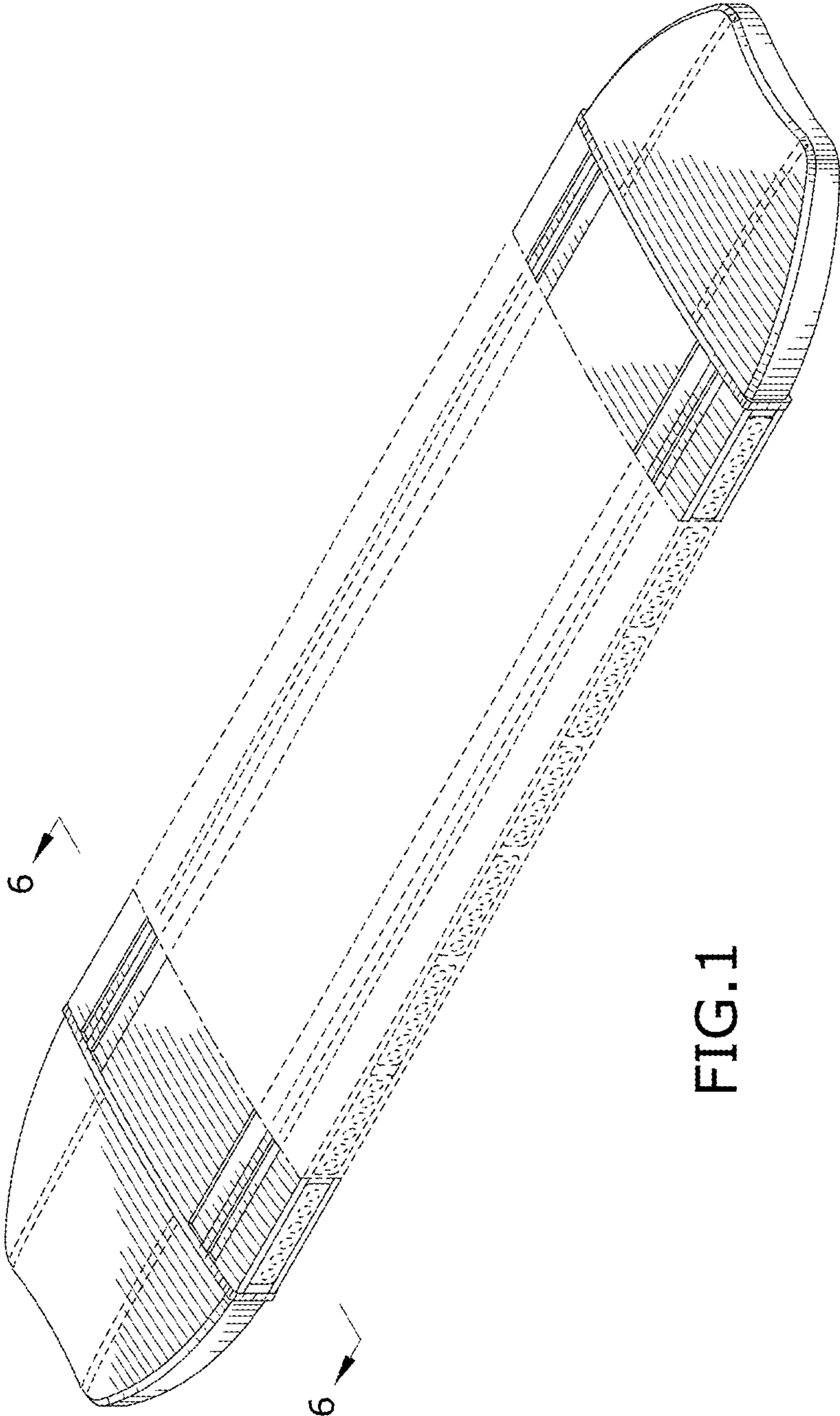


FIG.1

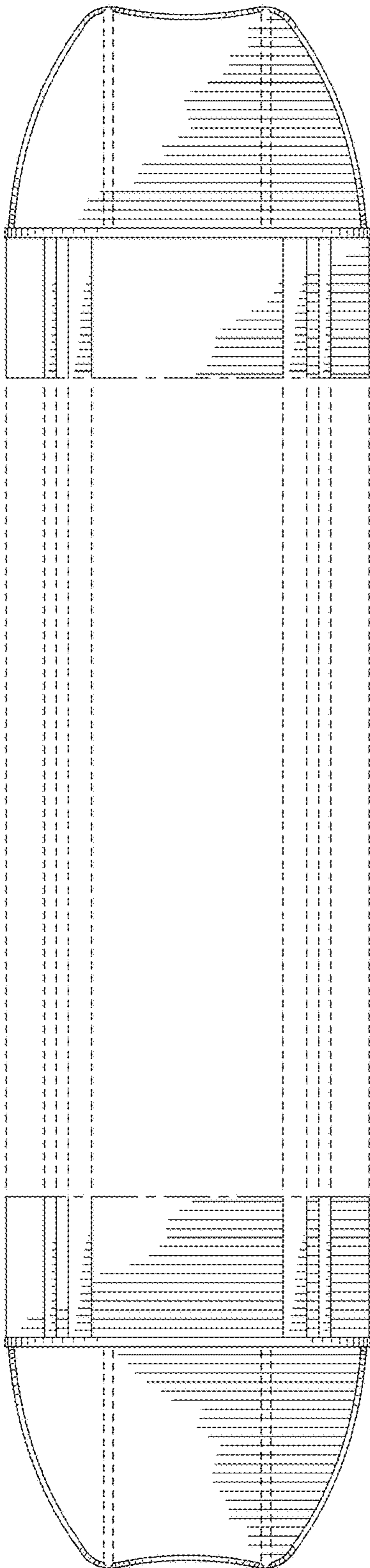


FIG. 2

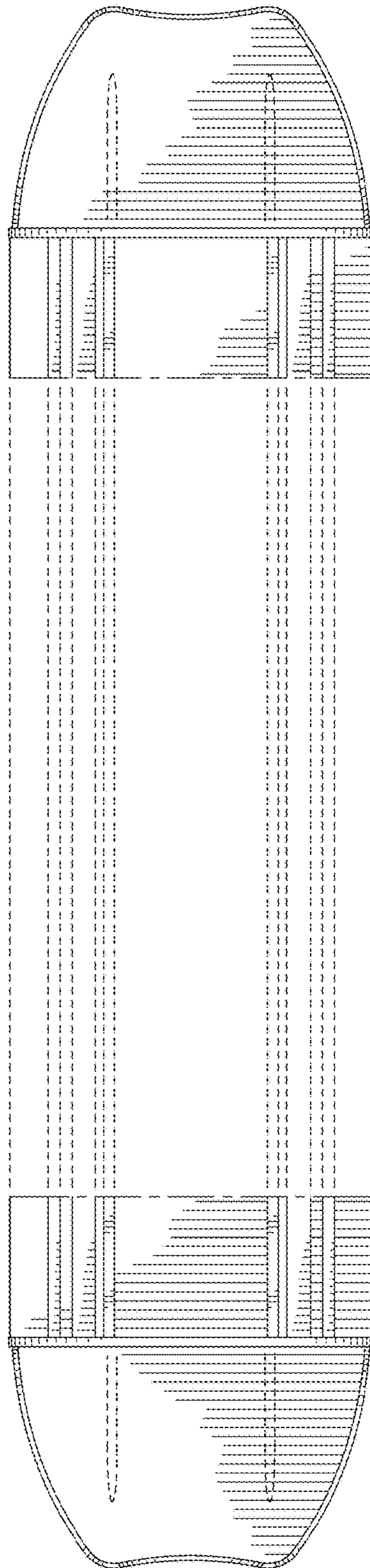


FIG. 3



FIG. 4



FIG. 5

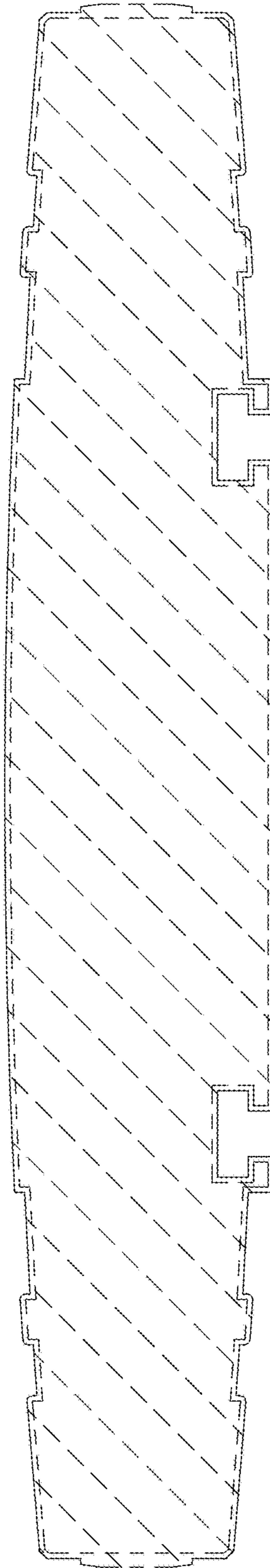


FIG. 6