



US00D832124S

(12) **United States Design Patent**
Lease et al.

(10) **Patent No.:** **US D832,124 S**
(45) **Date of Patent:** **** Oct. 30, 2018**

(54) **SENSOR MODULE FOR LIQUID LEVEL GAUGE**

6,679,116 B2 1/2004 Ross, Jr.
D500,453 S * 1/2005 Cullen D10/40
7,690,323 B2 4/2010 Ross, Jr.
8,604,934 B2 12/2013 Ross, Jr.

(71) Applicant: **Texas LFP, LLC**, Dallas, TX (US)

* cited by examiner

(72) Inventors: **Benjamin Neal Lease**, Flower Mound, TX (US); **Herbert G. Ross, Jr.**, Argyle, TX (US); **Robert E. Hrcir**, Irving, TX (US)

Primary Examiner — Antoine Duval Davis

(74) *Attorney, Agent, or Firm* — Alvin R. Wirthlin

(73) Assignee: **Rochester Gauges, Inc.**, Dallas, TX (US)

(**) Term: **15 Years**

(21) Appl. No.: **29/633,034**

(22) Filed: **Jan. 11, 2018**

(51) **LOC (11) Cl.** **10-04**

(52) **U.S. Cl.**

USPC **D10/101**

(58) **Field of Classification Search**

USPC D10/101, 103

CPC G01F 23/32; G01F 23/34; G01F 23/366;

G01F 23/38; G01F 23/54; G01F 23/292;

G01F 23/2921; G01F 23/2922; G01F

23/2924; G01F 23/2925; G01F 23/2927;

G01F 23/2928

See application file for complete search history.

(56) **References Cited**

U.S. PATENT DOCUMENTS

5,305,639 A 4/1994 Pontefract

6,564,632 B2 5/2003 Ross, Jr.

(57) **CLAIM**

The ornamental design for a sensor module for a liquid level gauge, as shown and described.

DESCRIPTION

FIG. 1 is a front isometric view of a sensor module for a liquid level gauge showing our new design;

FIG. 2 is a rear isometric view thereof;

FIG. 3 is a front elevational view thereof;

FIG. 4 is a rear elevational view thereof;

FIG. 5 is a right side elevational view thereof;

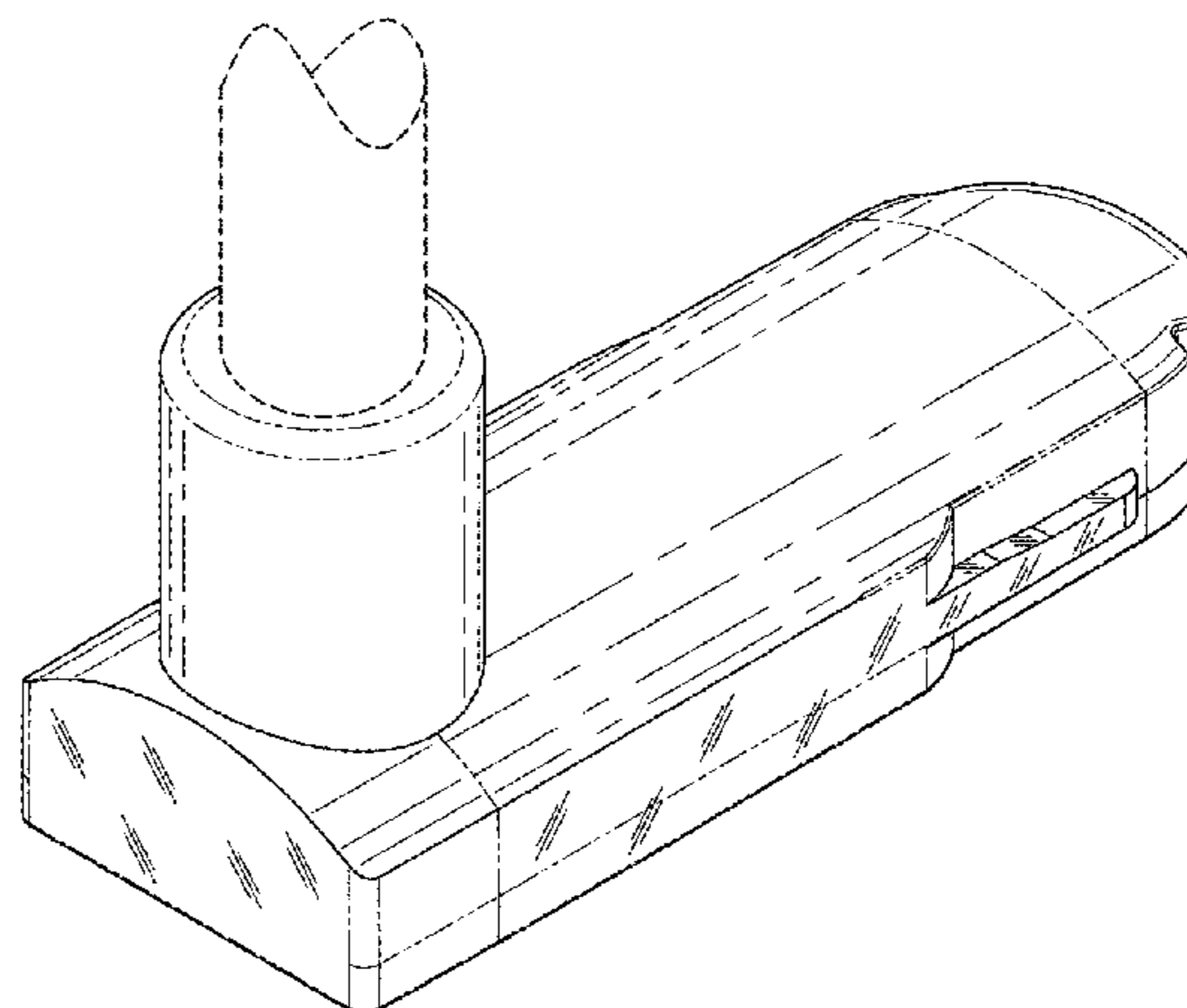
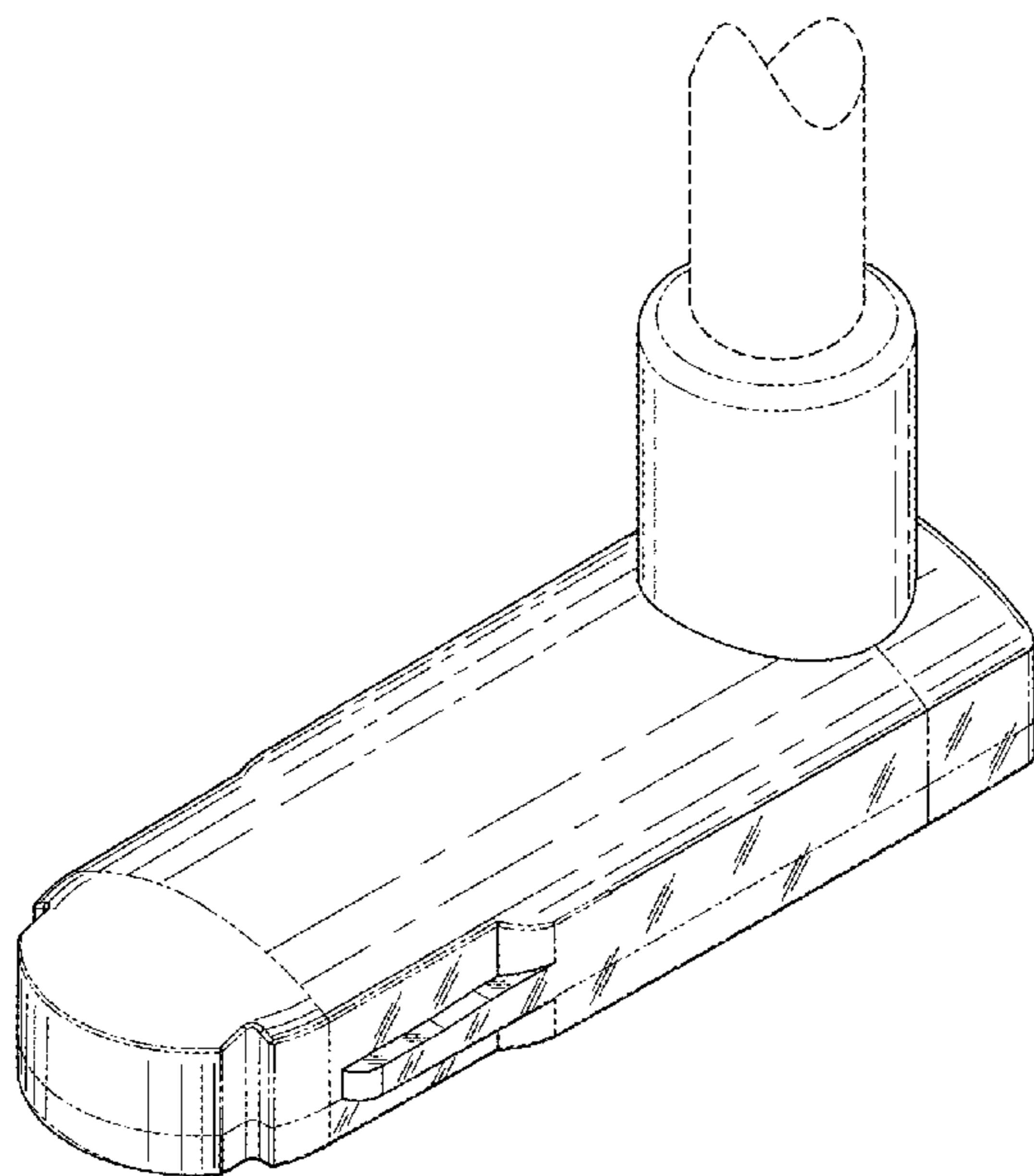
FIG. 6 is a left side elevational view thereof;

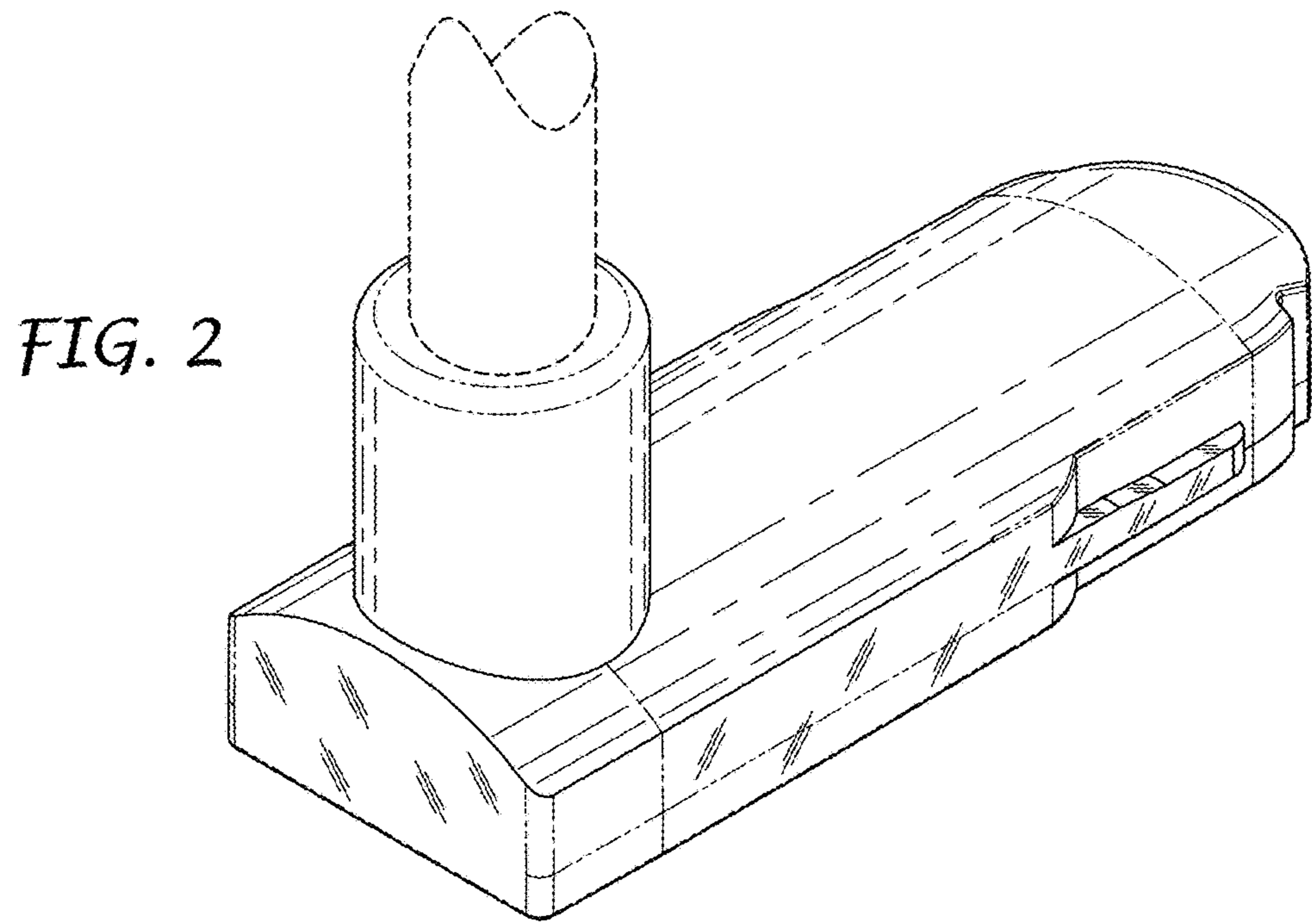
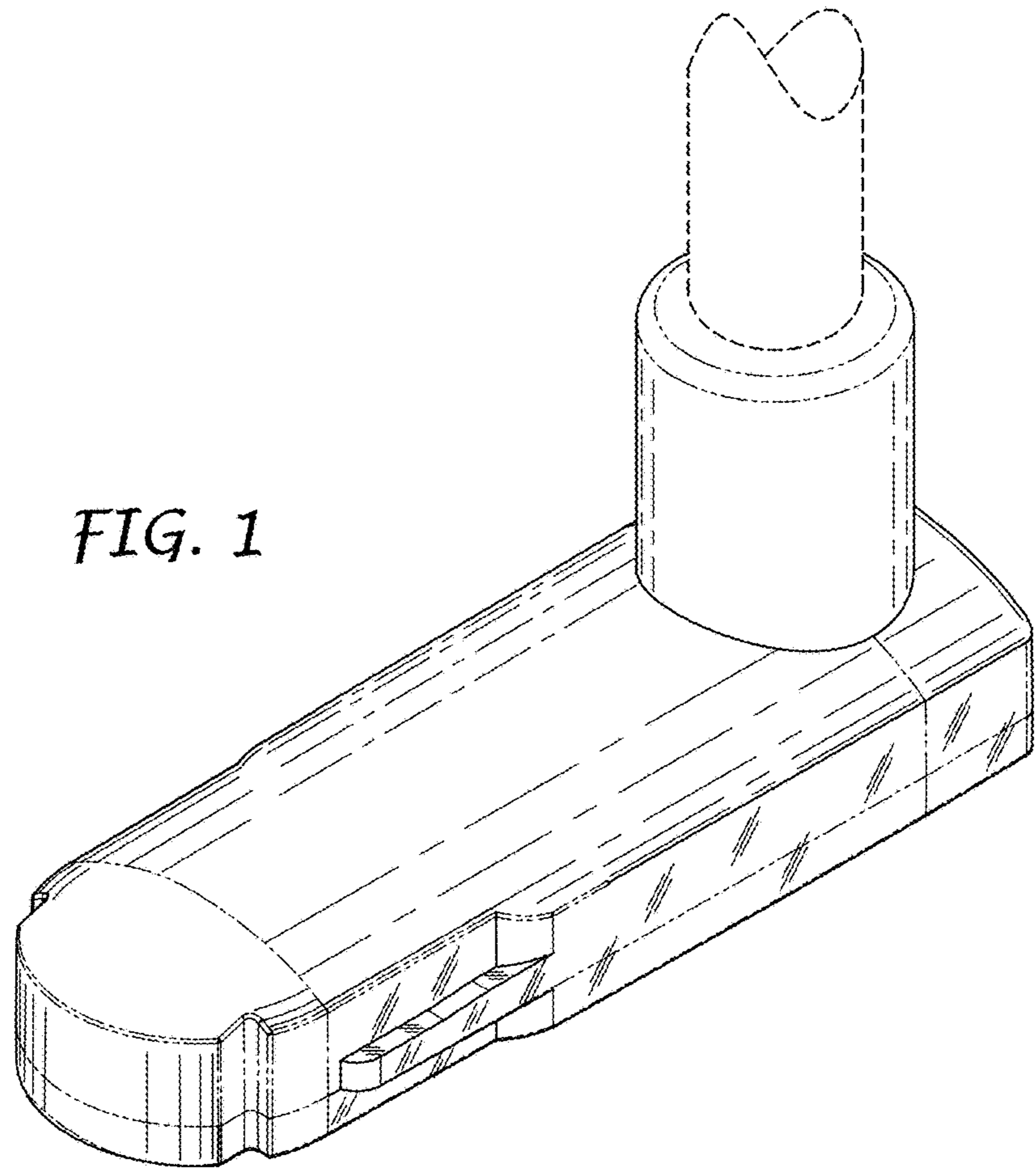
FIG. 7 is a top plan view thereof; and,

FIG. 8 is a bottom plan view thereof.

The phantom lines illustrate contours of the related surfaces. The broken lines with equal line segments show environmental portions of the sensor module which form no part of the claimed design.

1 Claim, 4 Drawing Sheets





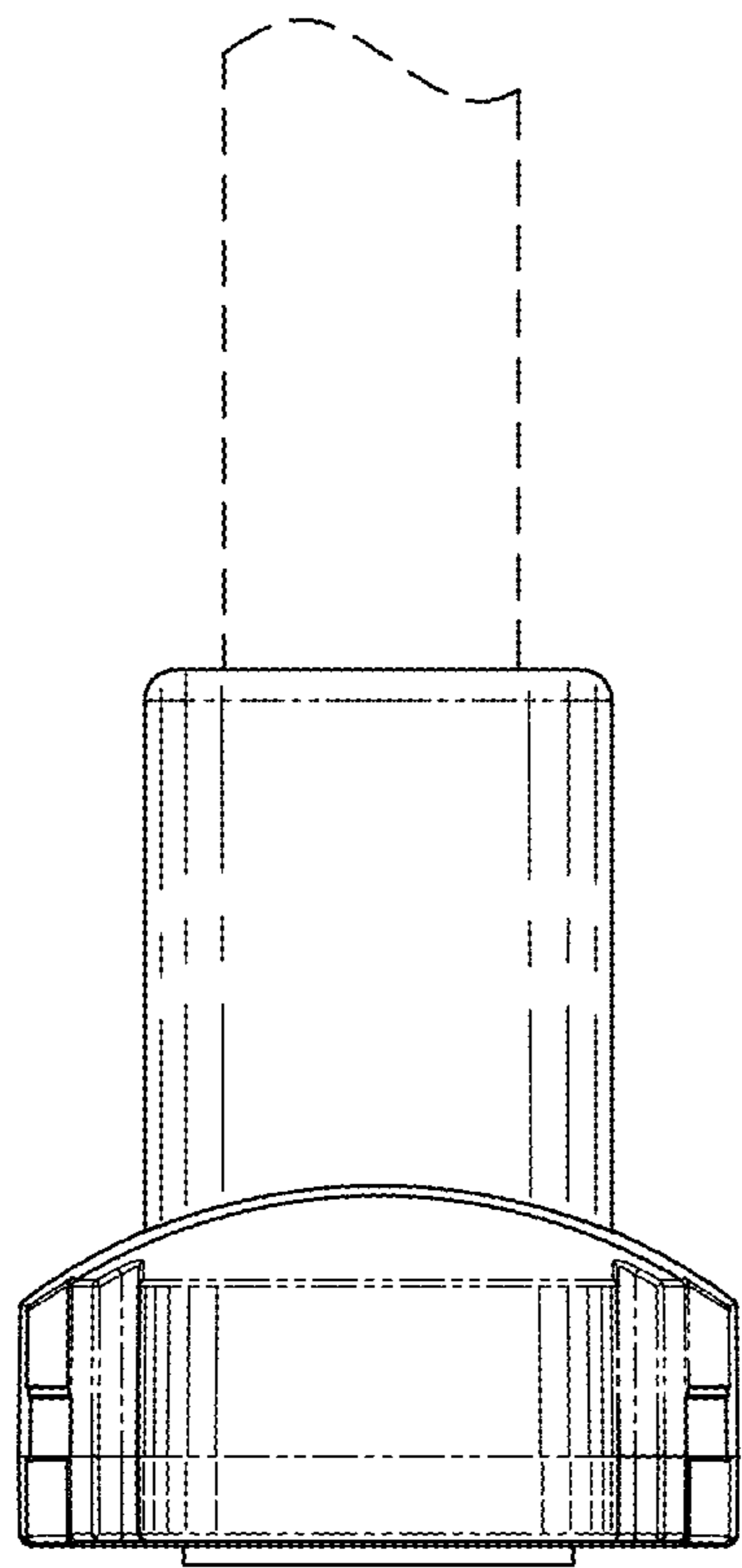


FIG. 3

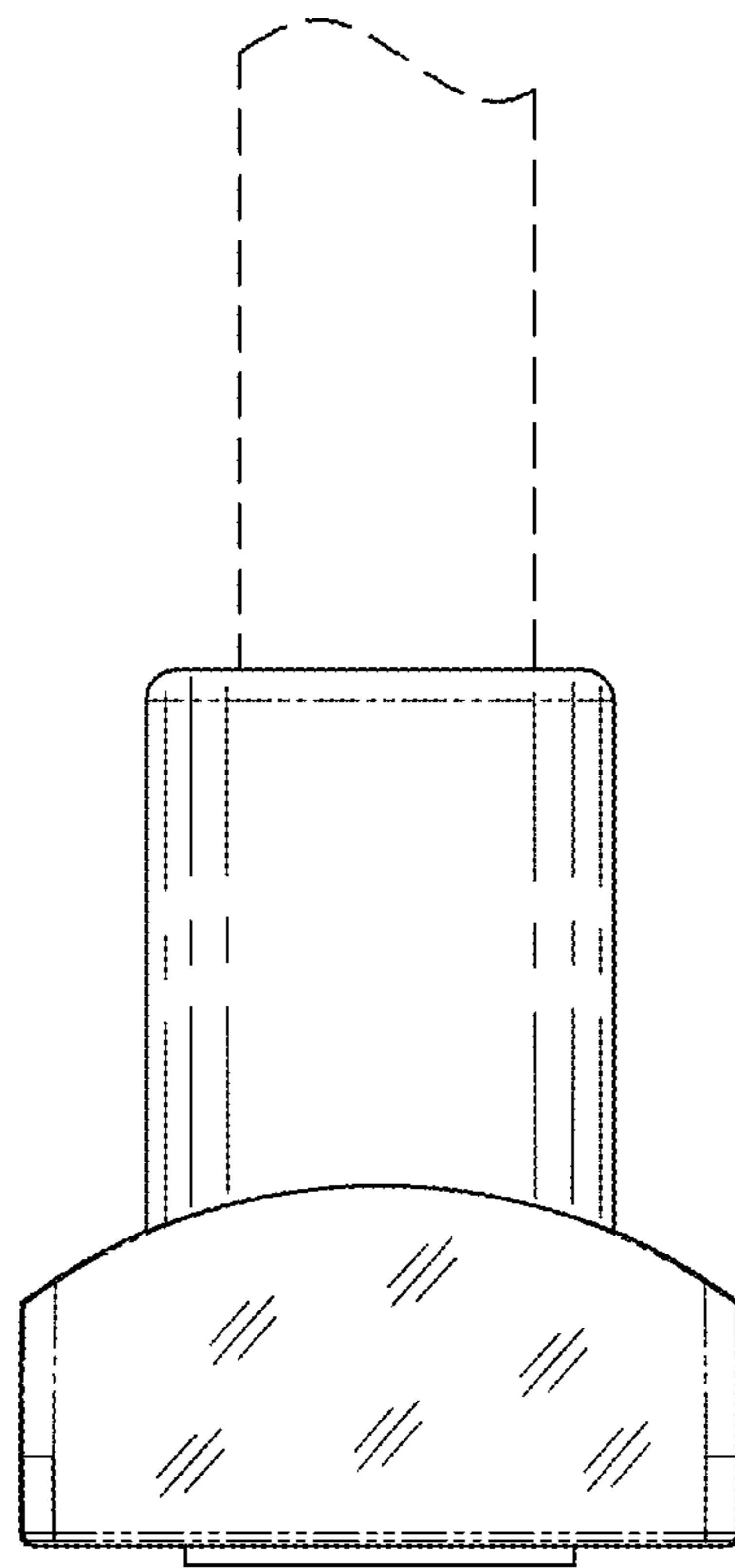
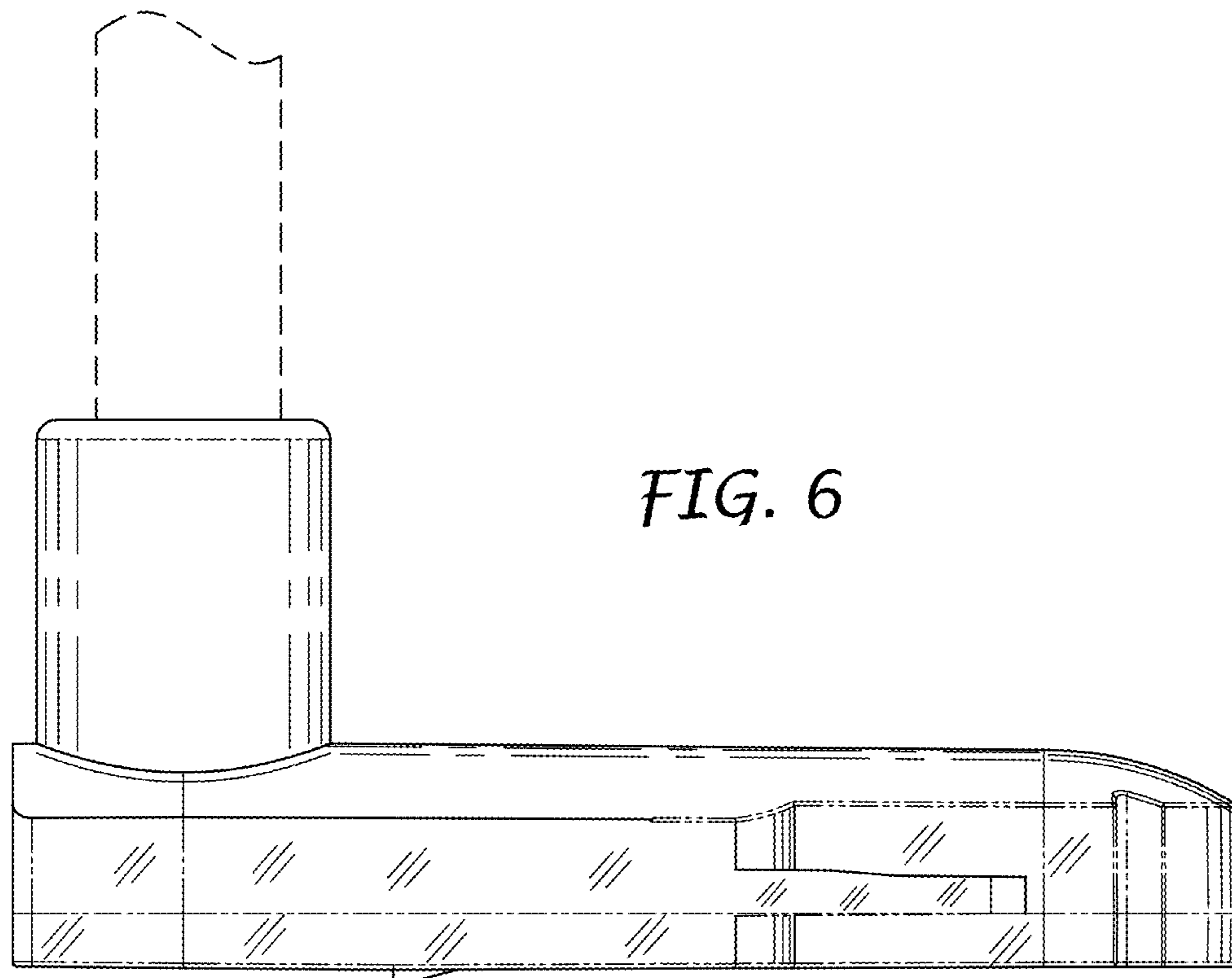
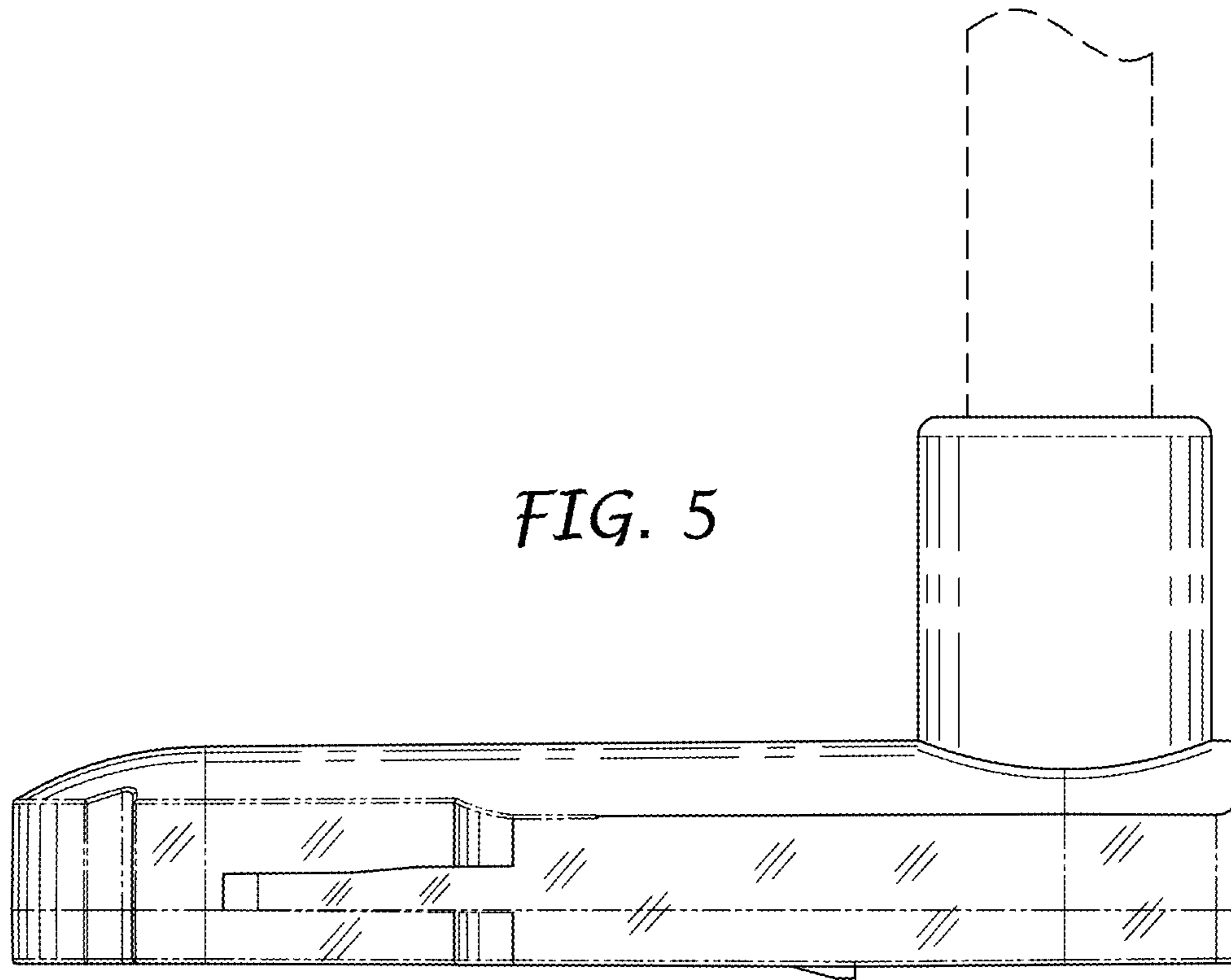


FIG. 4



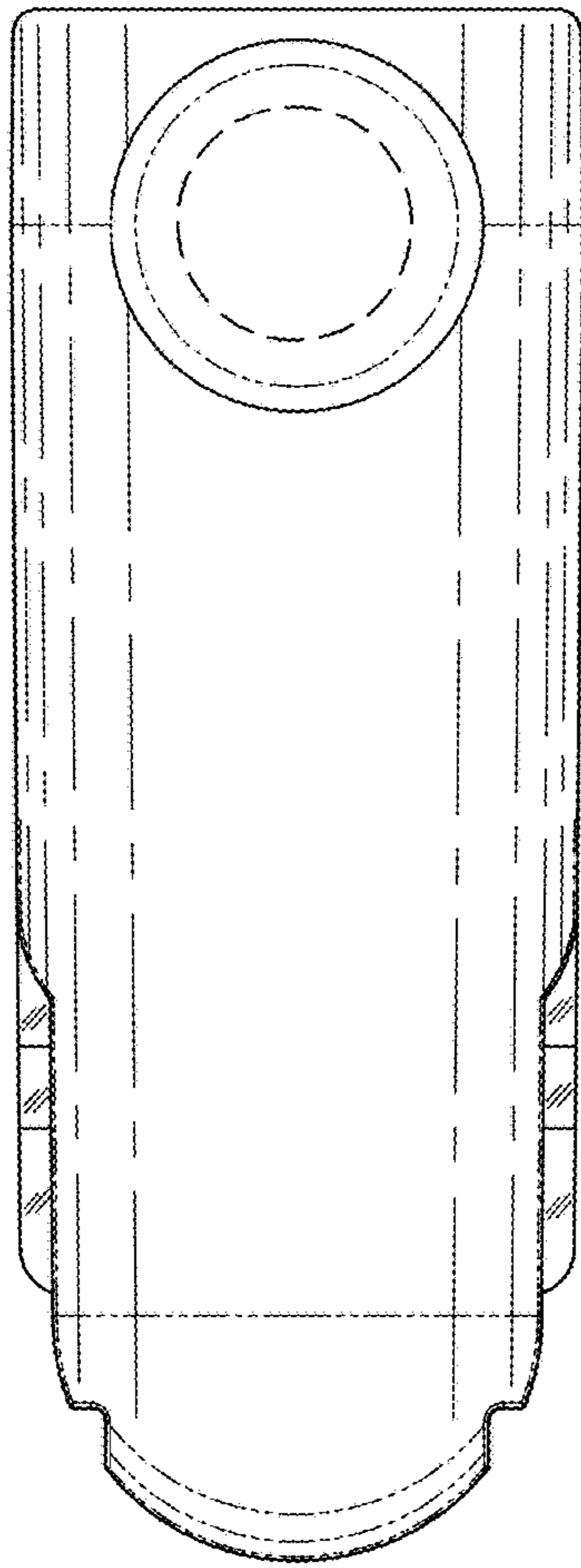


FIG. 7

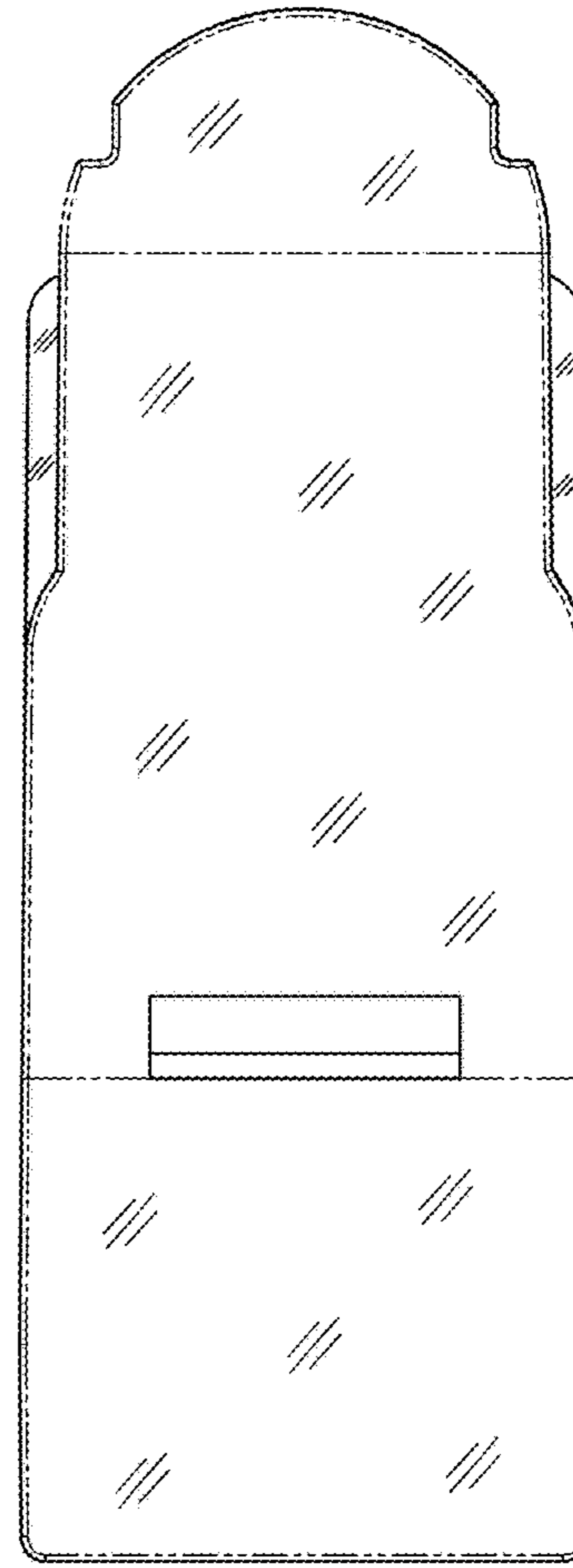


FIG. 8