



US00D832123S

(12) **United States Design Patent**  
**Nakai et al.**

(10) **Patent No.:** **US D832,123 S**  
(45) **Date of Patent:** **\*\* Oct. 30, 2018**

(54) **FLOW METER**

(71) Applicant: **Panasonic Intellectual Property Management Co., Ltd.**, Osaka-shi, Osaka (JP)

(72) Inventors: **Hiroshi Nakai**, Nara (JP); **Kenji Yasuda**, Kyoto (JP); **Kouichi Takemura**, Nara (JP)

(73) Assignee: **PANASONIC INTELLECTUAL PROPERTY MANAGEMENT CO., LTD.**, Osaka (JP)

(\*\*) Term: **15 Years**

(21) Appl. No.: **29/605,221**

(22) Filed: **May 24, 2017**

(30) **Foreign Application Priority Data**

Mar. 15, 2017 (JP) ..... 2017-005244

(51) **LOC (11) Cl.** ..... **10-04**

(52) **U.S. Cl.**  
USPC ..... **D10/96**

(58) **Field of Classification Search**

USPC ..... D10/96  
CPC ..... G01F 1/40; G01F 1/42; G01F 1/44; G01F 1/46; G01F 1/74; G01F 11/003; G01F 11/006; G01N 21/03; G01N 21/05; G01N 2021/0378; G01N 2021/0382; G01N 2021/052; G01N 2021/054; G01N 2021/056; G01N 2021/058

See application file for complete search history.

(56) **References Cited**

**U.S. PATENT DOCUMENTS**

D602,794 S \* 10/2009 Oshima ..... D10/96  
D602,795 S \* 10/2009 Oshima ..... D10/96

D609,591 S \* 2/2010 Oshima ..... D10/96  
D665,286 S \* 8/2012 Christianson ..... D10/96  
8,264,361 B2 \* 9/2012 Struyk ..... G01P 13/002  
340/603  
D694,140 S \* 11/2013 Betsinger ..... D10/96  
D798,755 S \* 10/2017 Sugiyama ..... D10/96

**FOREIGN PATENT DOCUMENTS**

JP D1390999 6/2010  
JP D1445992 7/2012  
JP D1475456 7/2013  
JP D1528334 7/2015  
JP D1552619 6/2016

\* cited by examiner

*Primary Examiner* — Antoine Duval Davis

(74) *Attorney, Agent, or Firm* — Brinks Gilson & Lione

(57) **CLAIM**

The ornamental design for a flow meter, as shown and described.

**DESCRIPTION**

FIG. 1 is a front perspective view of a flow meter of the present invention;  
FIG. 2 is a rear perspective view thereof;  
FIG. 3 is a front view thereof;  
FIG. 4 is a rear view thereof;  
FIG. 5 is a first side view thereof;  
FIG. 6 is a second side view thereof;  
FIG. 7 is a top view thereof; and,  
FIG. 8 is a bottom view thereof.

The broken lines depict portions of the flow meter in which the design is embodied that form no part of the claimed design. Additionally, the dot-dash lines denote the boundary of the claim and form no part of the claimed design.

**1 Claim, 8 Drawing Sheets**

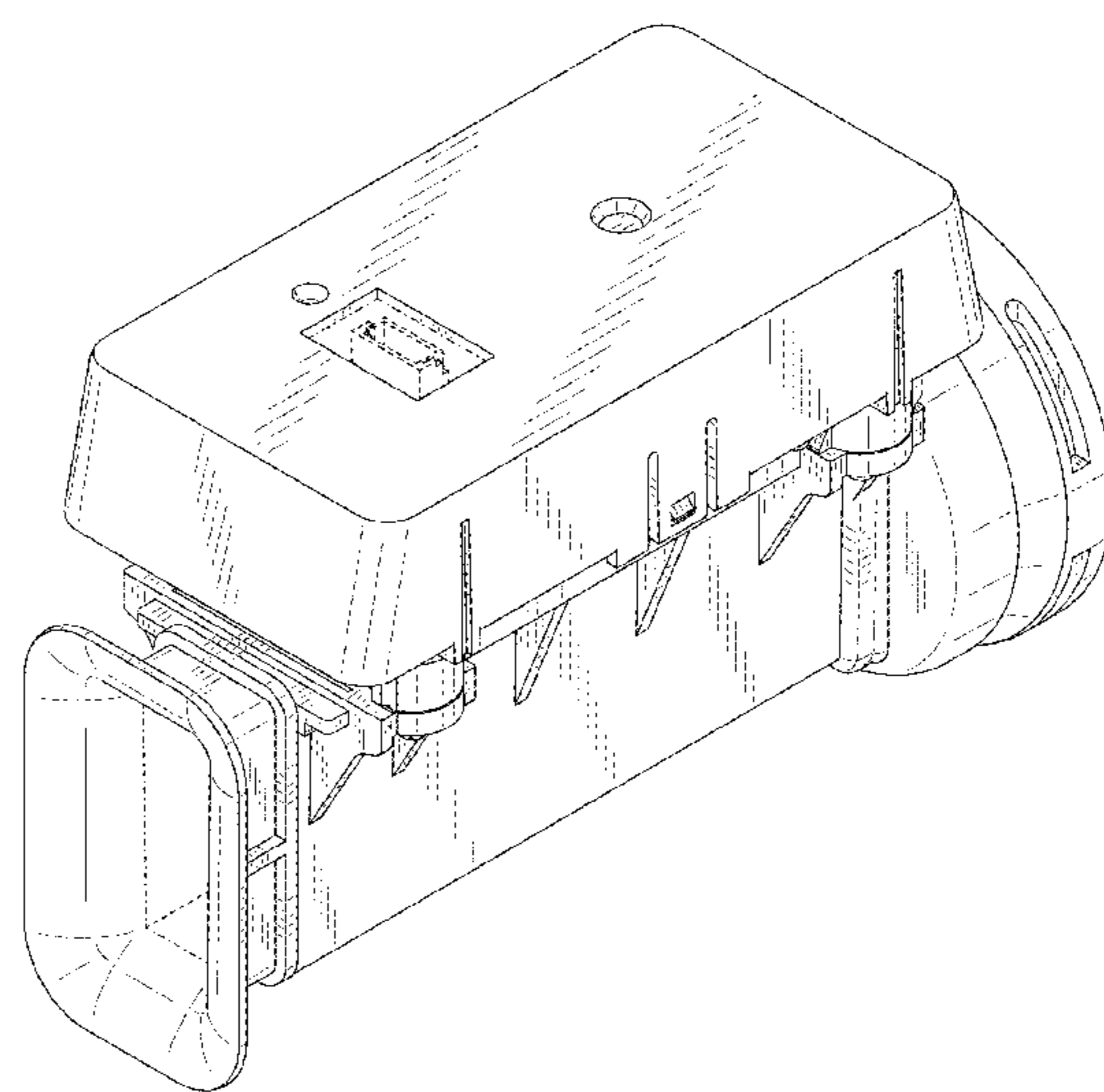
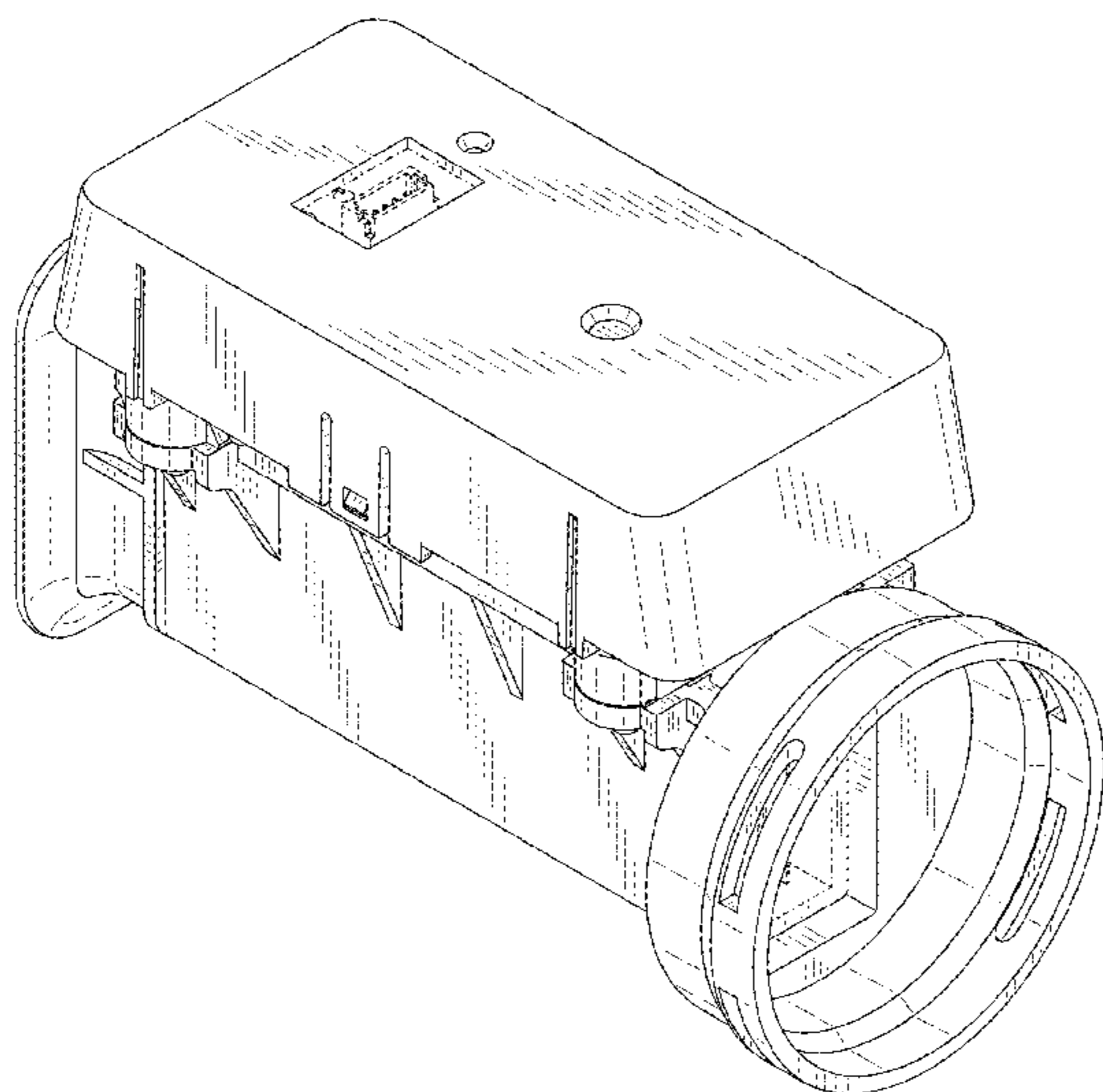


FIG. 1

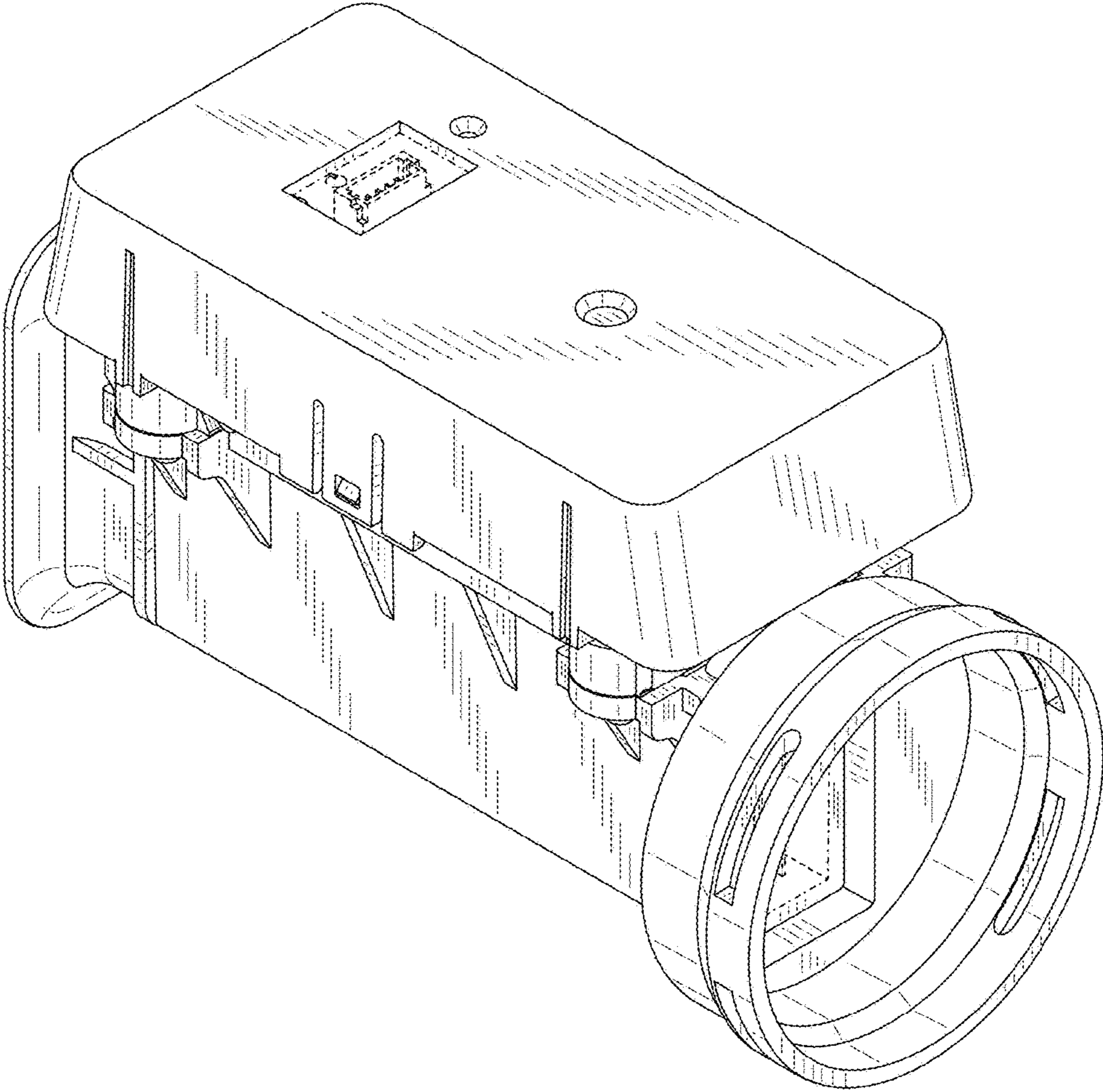


FIG. 2

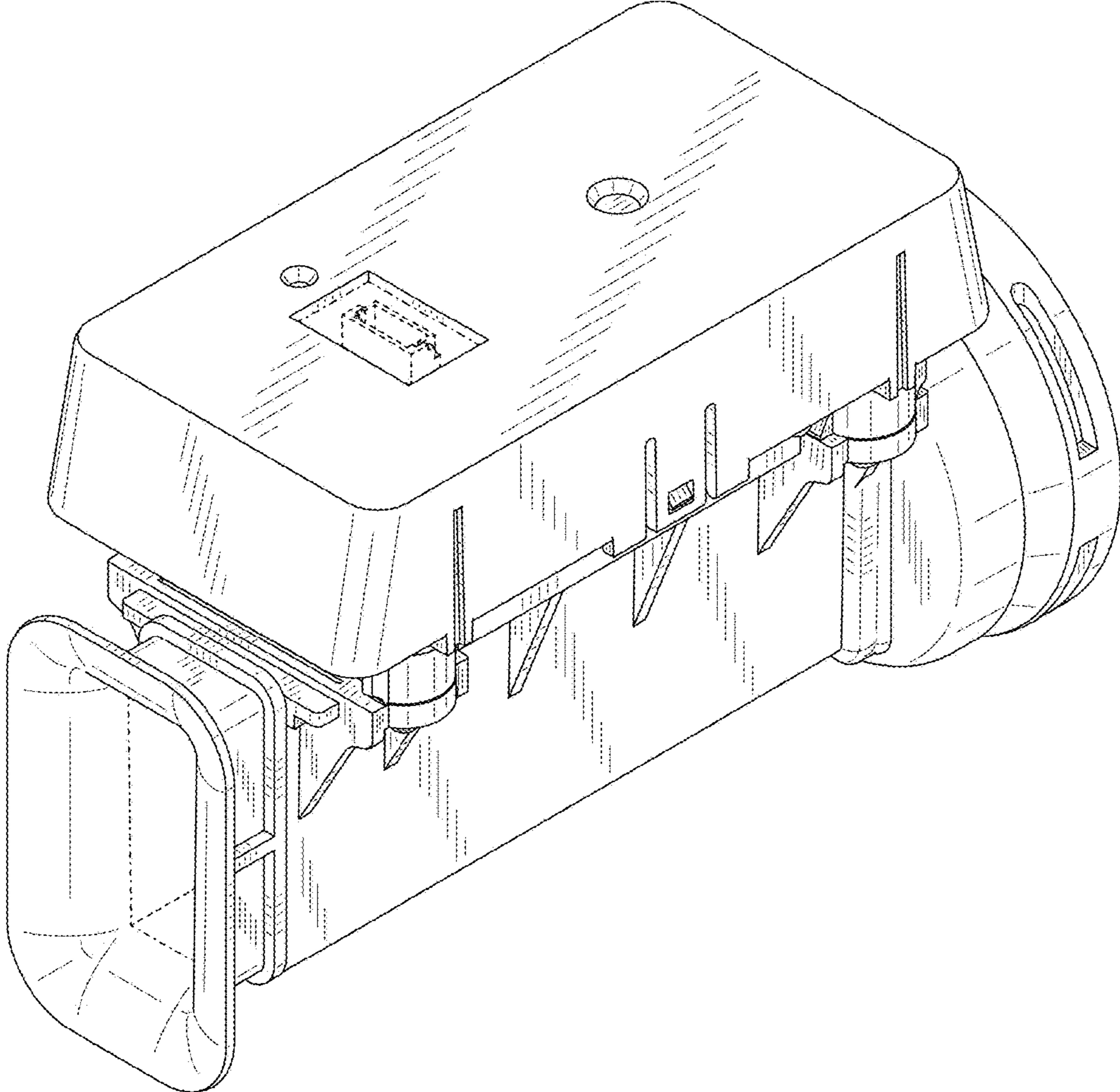


FIG. 3

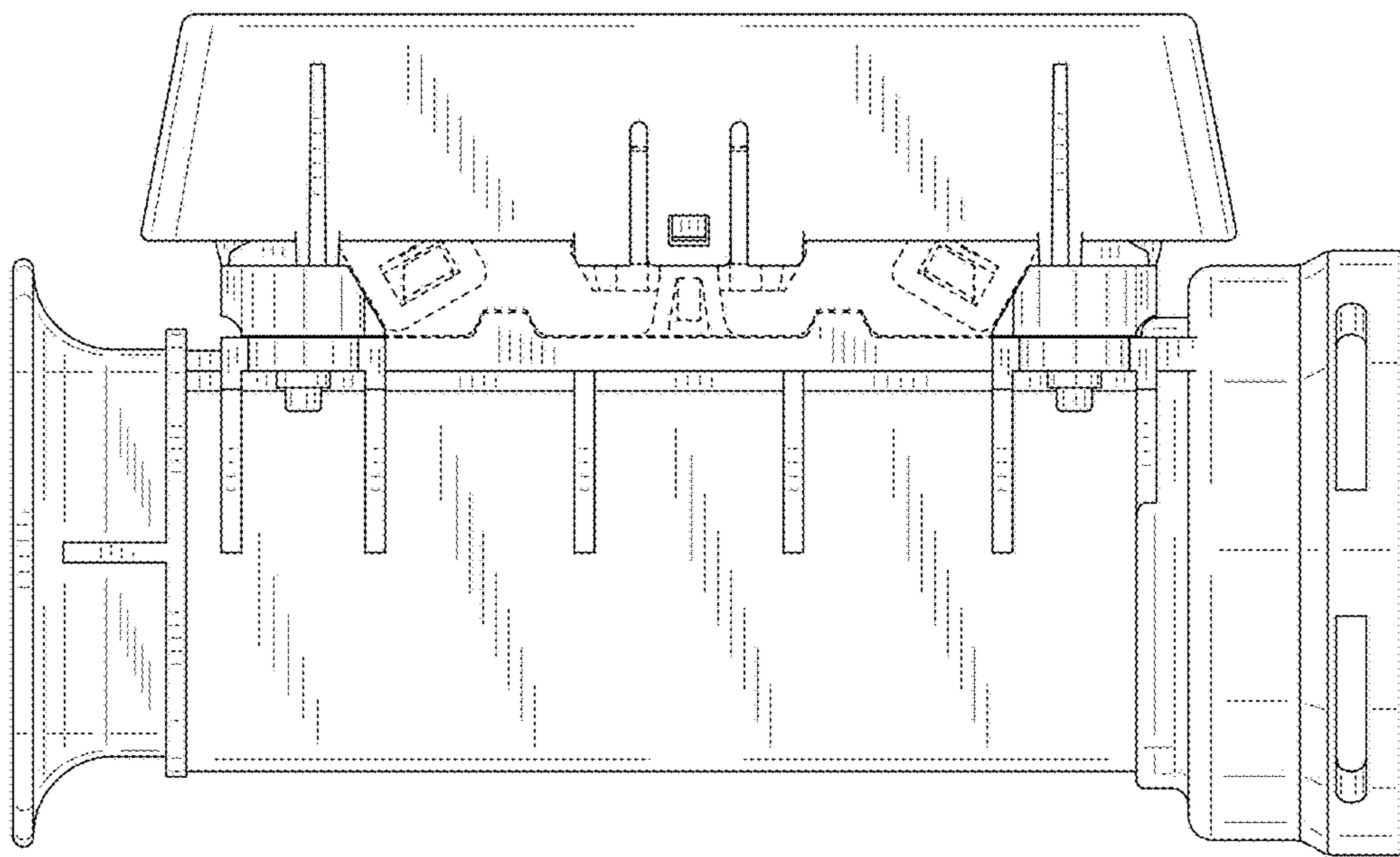


FIG. 4

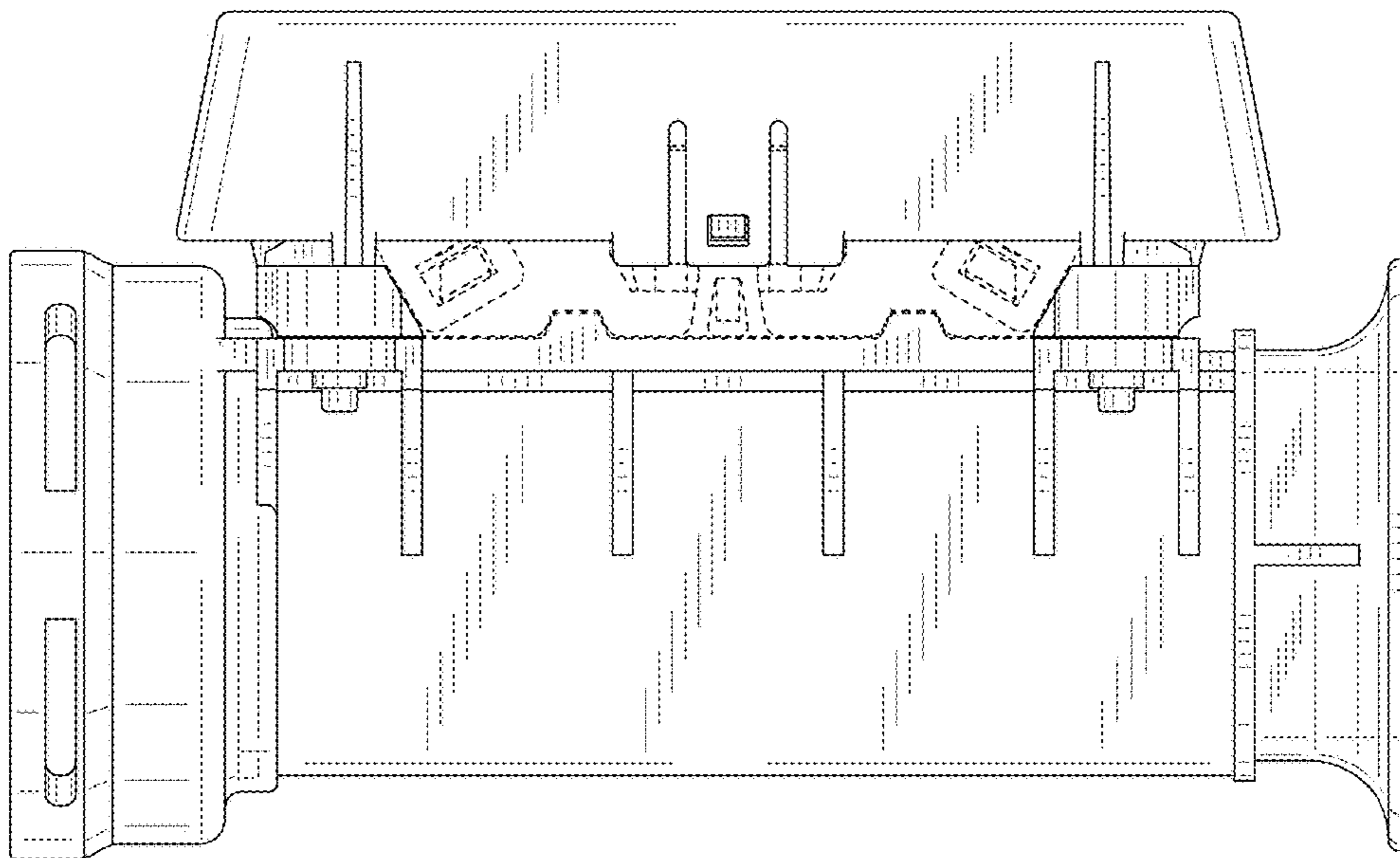


FIG. 5

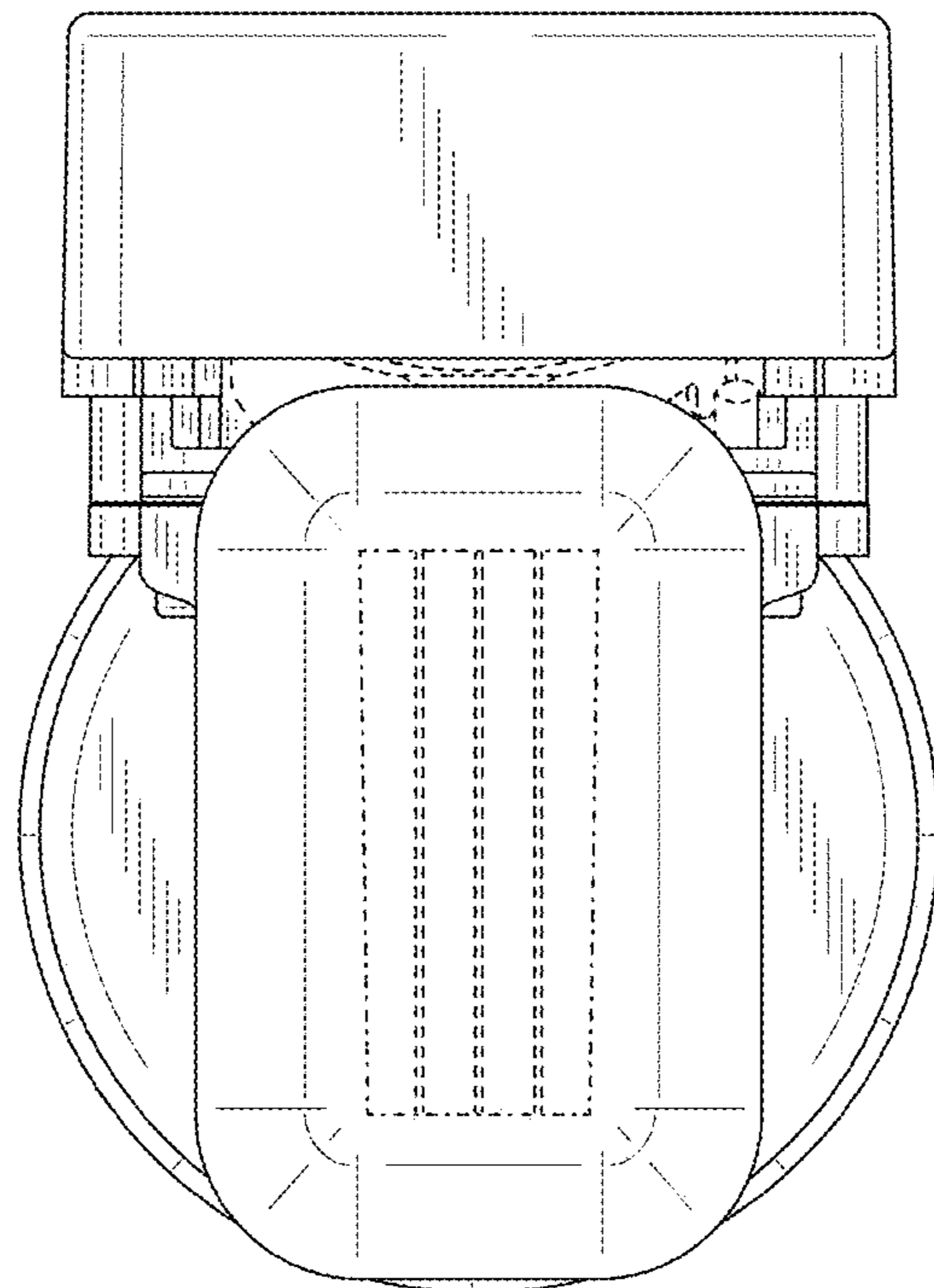


FIG. 6

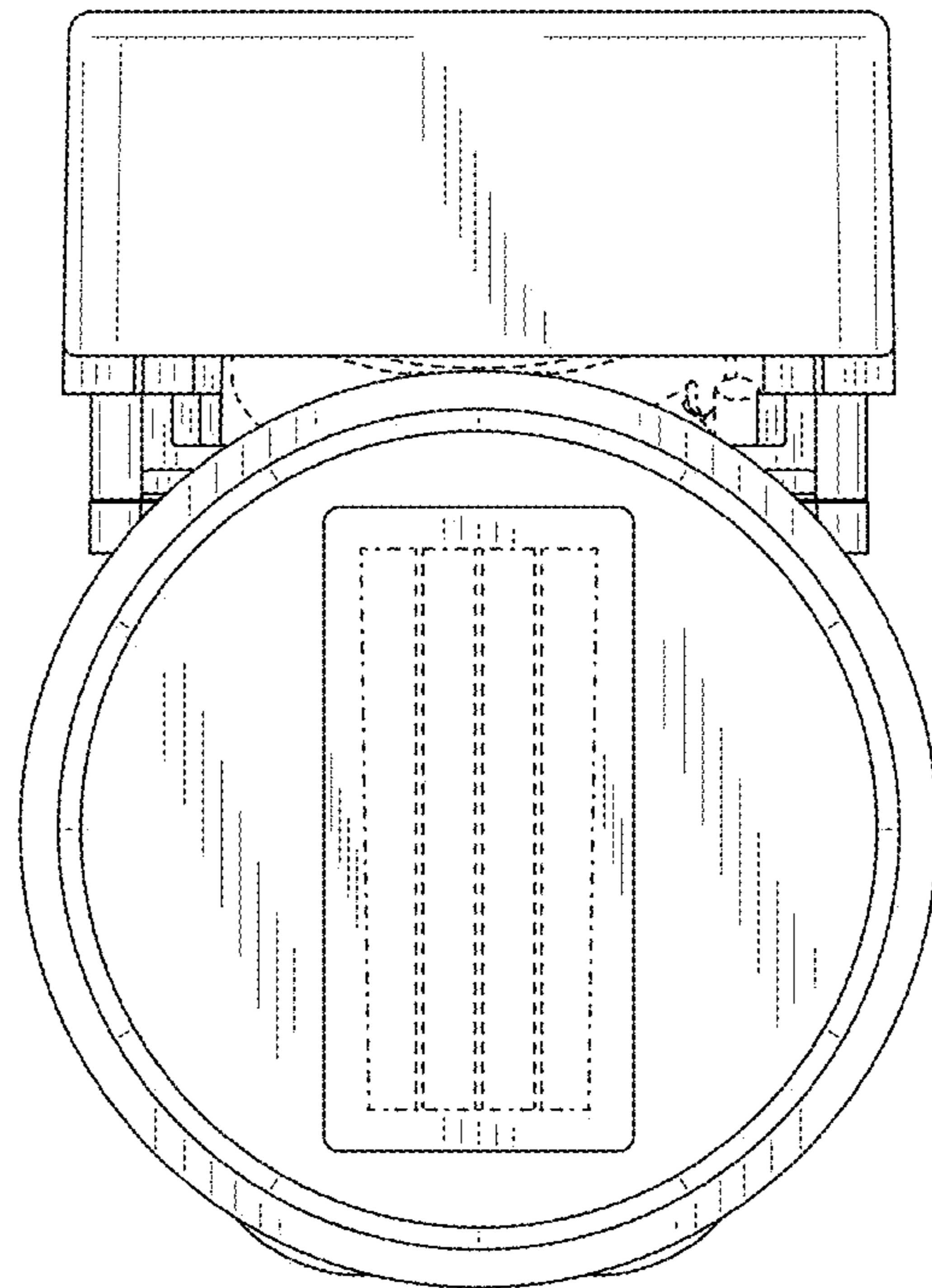


FIG. 7

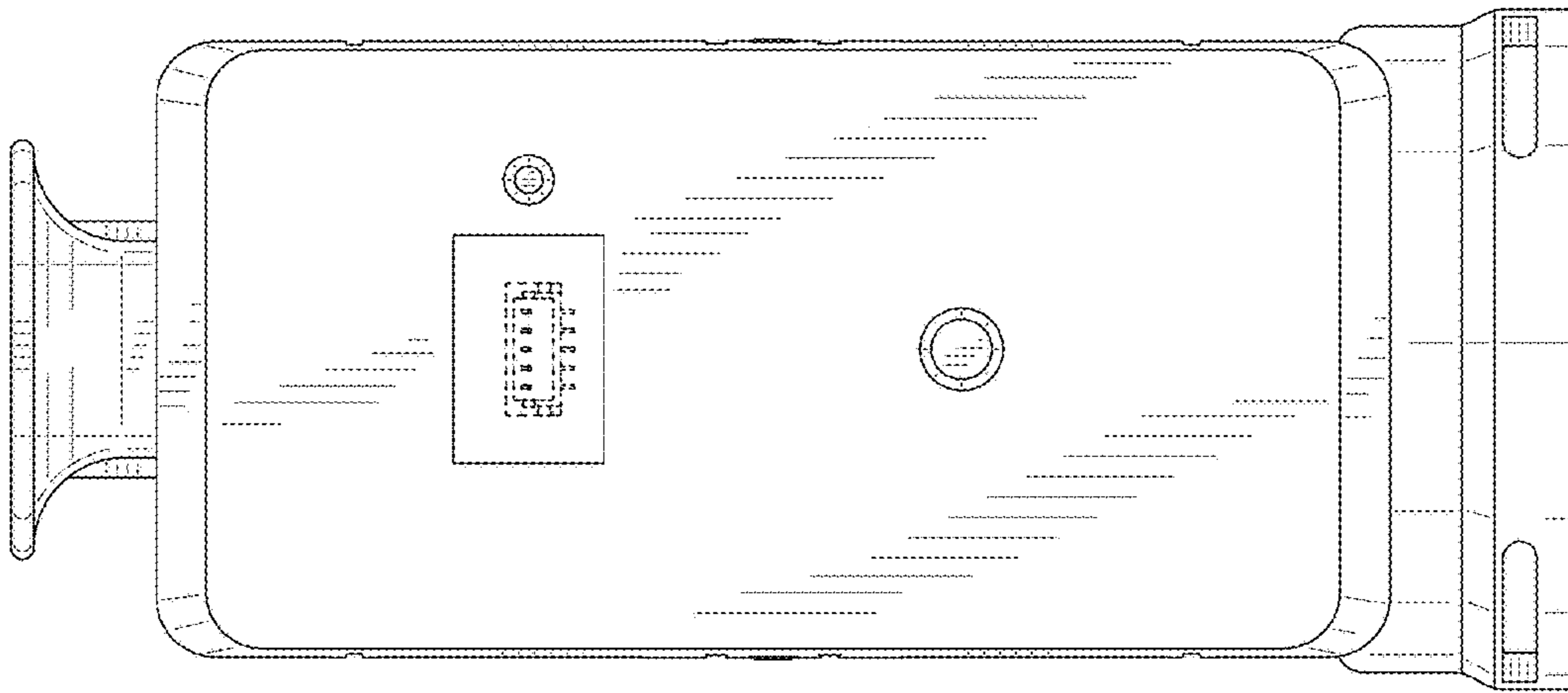




FIG. 8

