



US00D832122S

(12) **United States Design Patent**  
**Cobb et al.**

(10) **Patent No.:** **US D832,122 S**  
(45) **Date of Patent:** **\*\* Oct. 30, 2018**

(54) **MEASURING TAPE**

(71) Applicant: **APEX BRANDS, INC.**, Apex, NC  
(US)  
(72) Inventors: **Ian Michael Cobb**, Wixom, MI (US);  
**Vlad Patrangenaru**, Ellicott City, MD  
(US); **David Jonathan Byron**,  
Southfield, MI (US)

(73) Assignee: **APEX BRANDS, INC.**, Apex, NC  
(US)

(\*\*) Term: **15 Years**

(21) Appl. No.: **29/589,218**

(22) Filed: **Dec. 29, 2016**

(51) **LOC (11) Cl.** ..... **10-04**

(52) **U.S. Cl.**  
USPC ..... **D10/74**

(58) **Field of Classification Search**  
USPC ..... D10/72, 74  
CPC ..... G01B 3/10; G01B 3/1002; G01B 3/1041;  
G01B 2003/1043; G01B 2003/1046;  
G01B 2003/1048; G01B 2003/1051;  
G01B 2003/1053; G01B 2003/1097;  
G01B 3/1082; G01B 3/1056; G01B  
3/563; G01B 3/566; G01B 3/1071; G01B  
2003/1089; G01B 2003/1092; G01B  
2003/1079; G01B 2003/1041; G01B  
2003/1084; G07B 3/10

See application file for complete search history.

(56) **References Cited**

U.S. PATENT DOCUMENTS

D650,712 S \* 12/2011 Everett ..... D10/72

\* cited by examiner

*Primary Examiner* — Antoine D Davis

(74) *Attorney, Agent, or Firm* — McNair Law Firm, P.A.

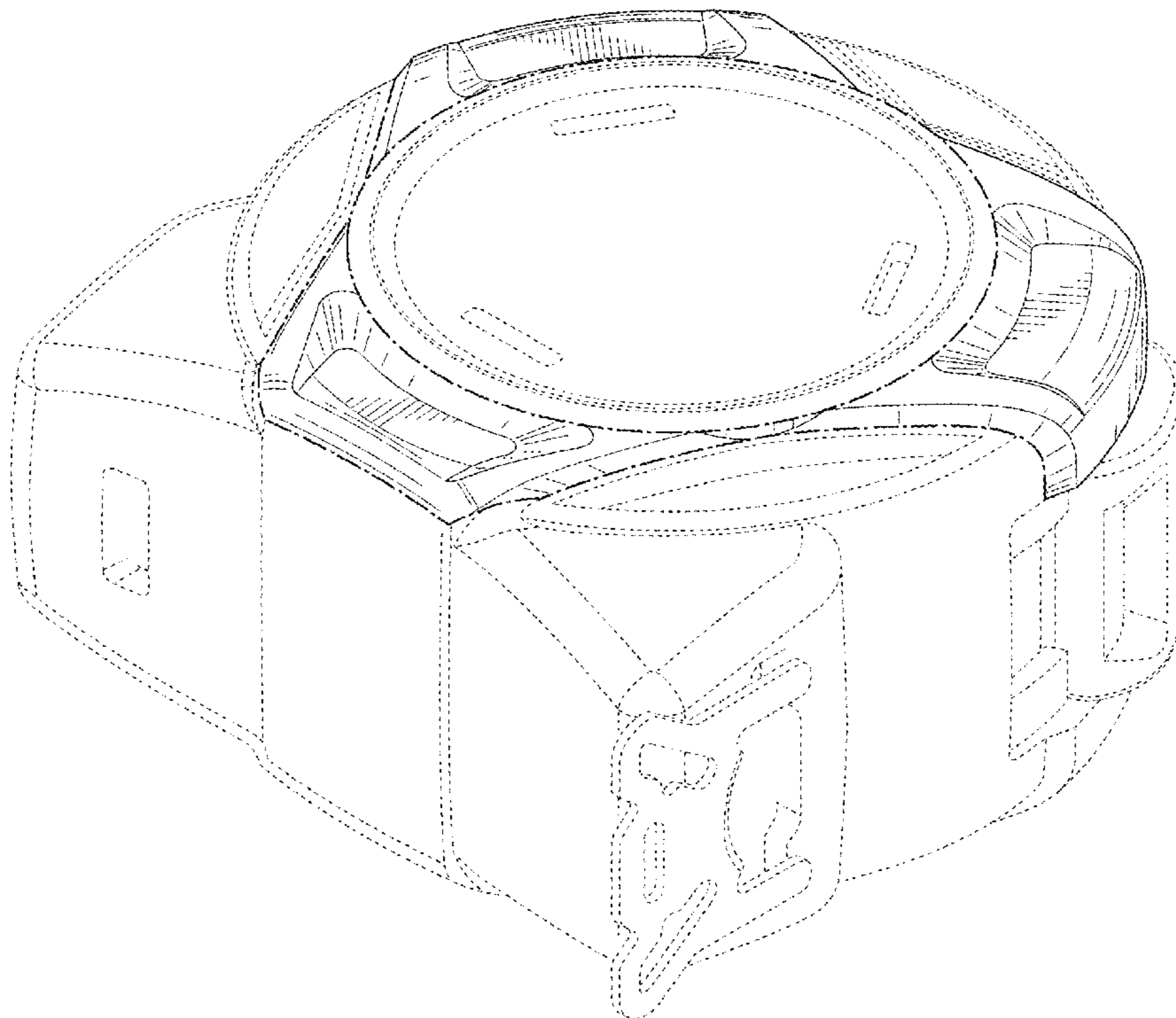
(57) **CLAIM**

The ornamental design for a measuring tape, as shown and described.

**DESCRIPTION**

FIG. 1 is a perspective view of a measuring tape with blade extended in accordance with a first embodiment of the present invention;  
FIG. 2 is a right side view of the measuring tape of FIG. 1;  
FIG. 3 is a left side view of the measuring tape of FIG. 1;  
FIG. 4 is a top view of the measuring tape of FIG. 1;  
FIG. 5 is a bottom view of the measuring tape of FIG. 1;  
FIG. 6 is a rear view of the measuring tape of FIG. 1; and,  
FIG. 7 is a front view of the measuring tape of FIG. 1.  
The broken lines of FIGS. 1-7 are illustrative of the visible environmental structure of the measuring tape and form no part of the claimed design.

**1 Claim, 7 Drawing Sheets**



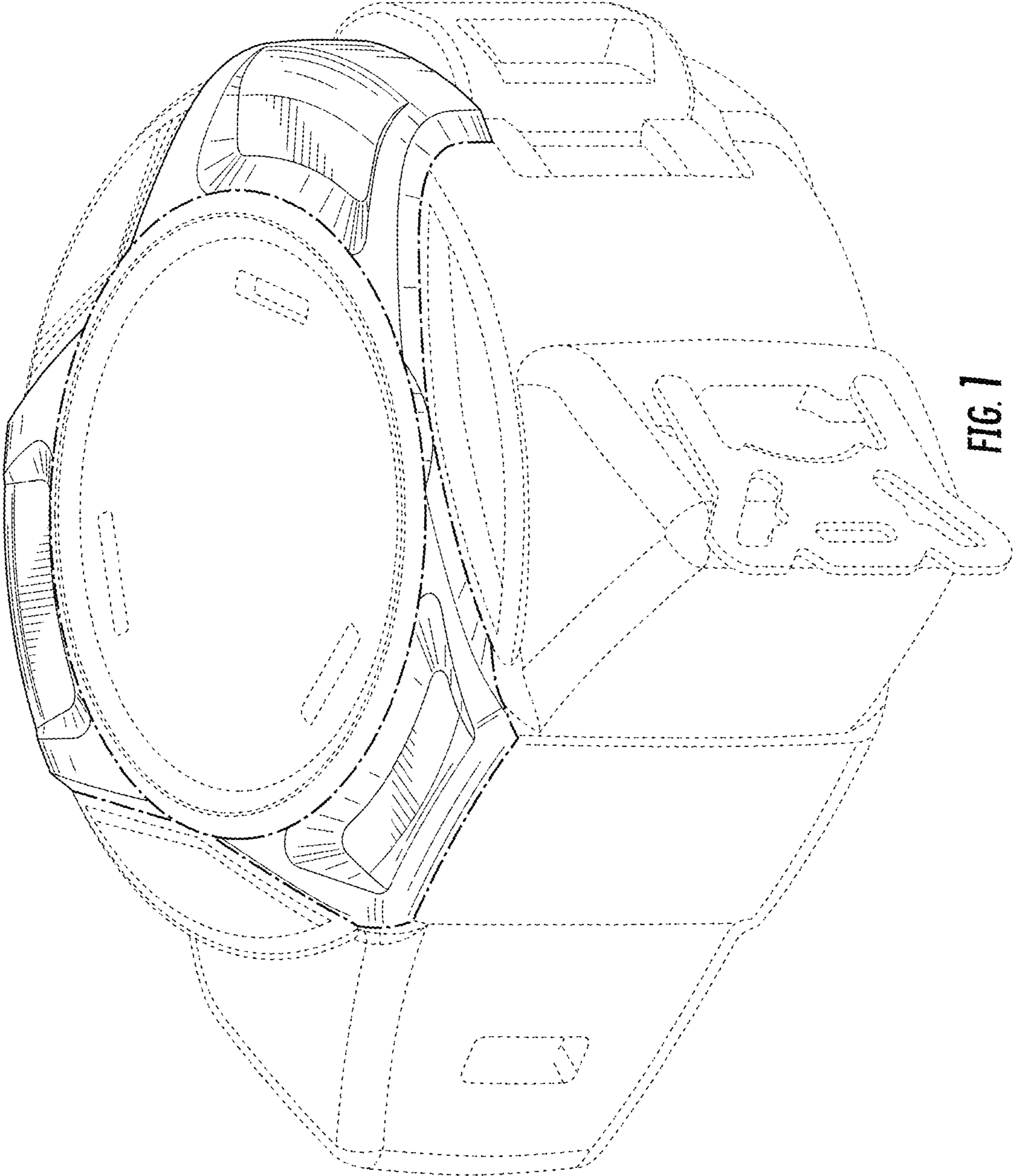


FIG. 1

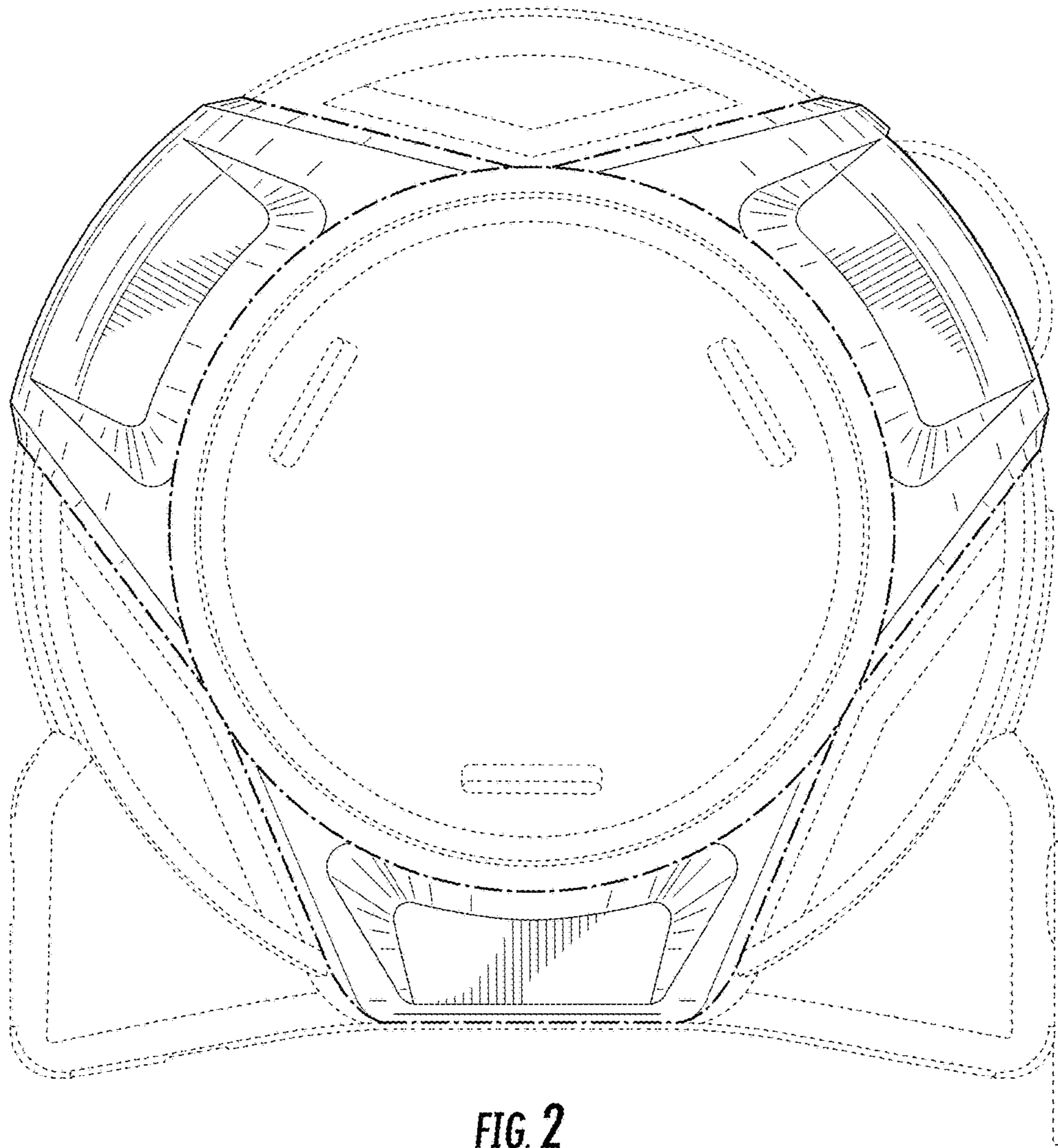


FIG. 2

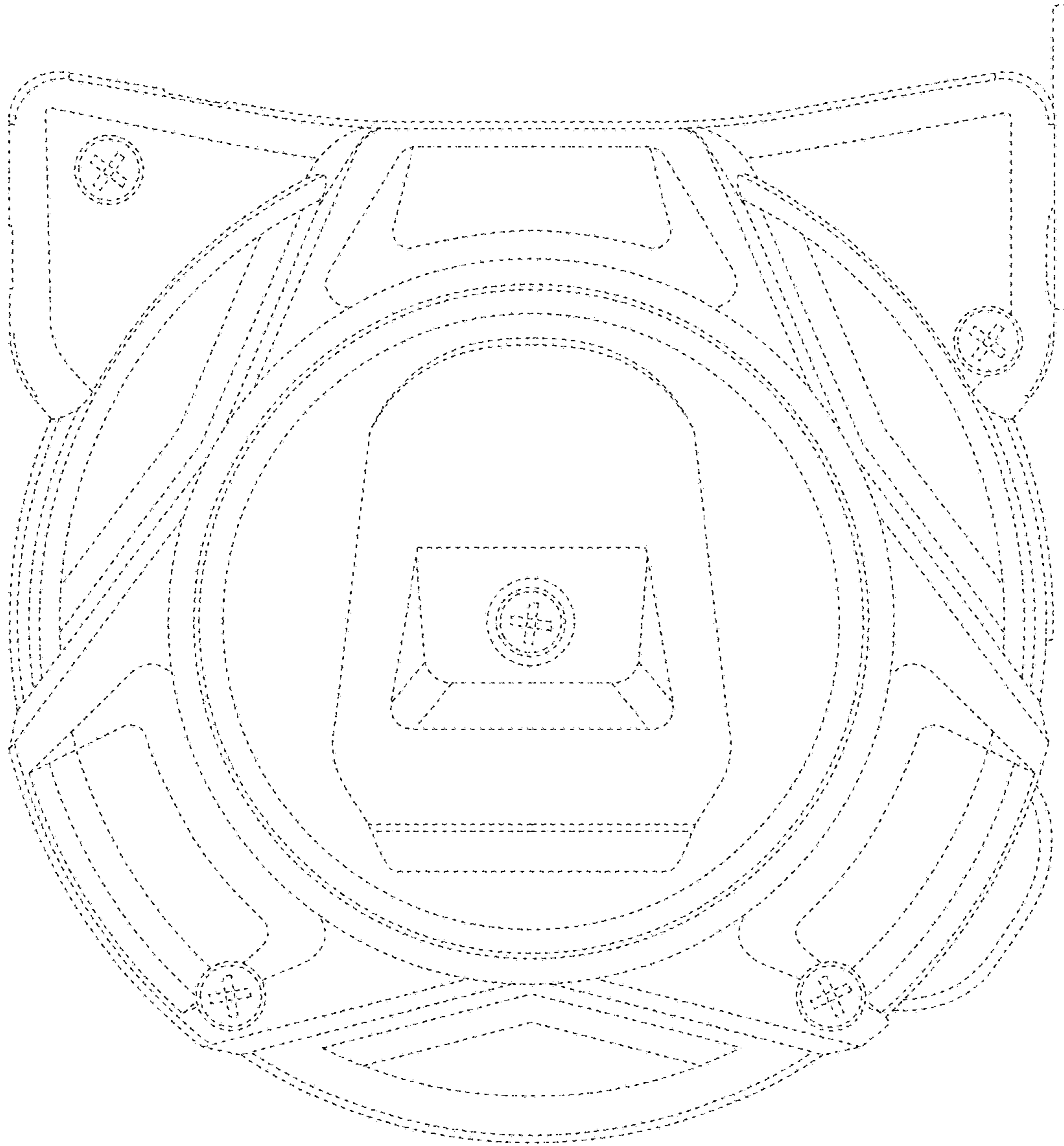


FIG. 3

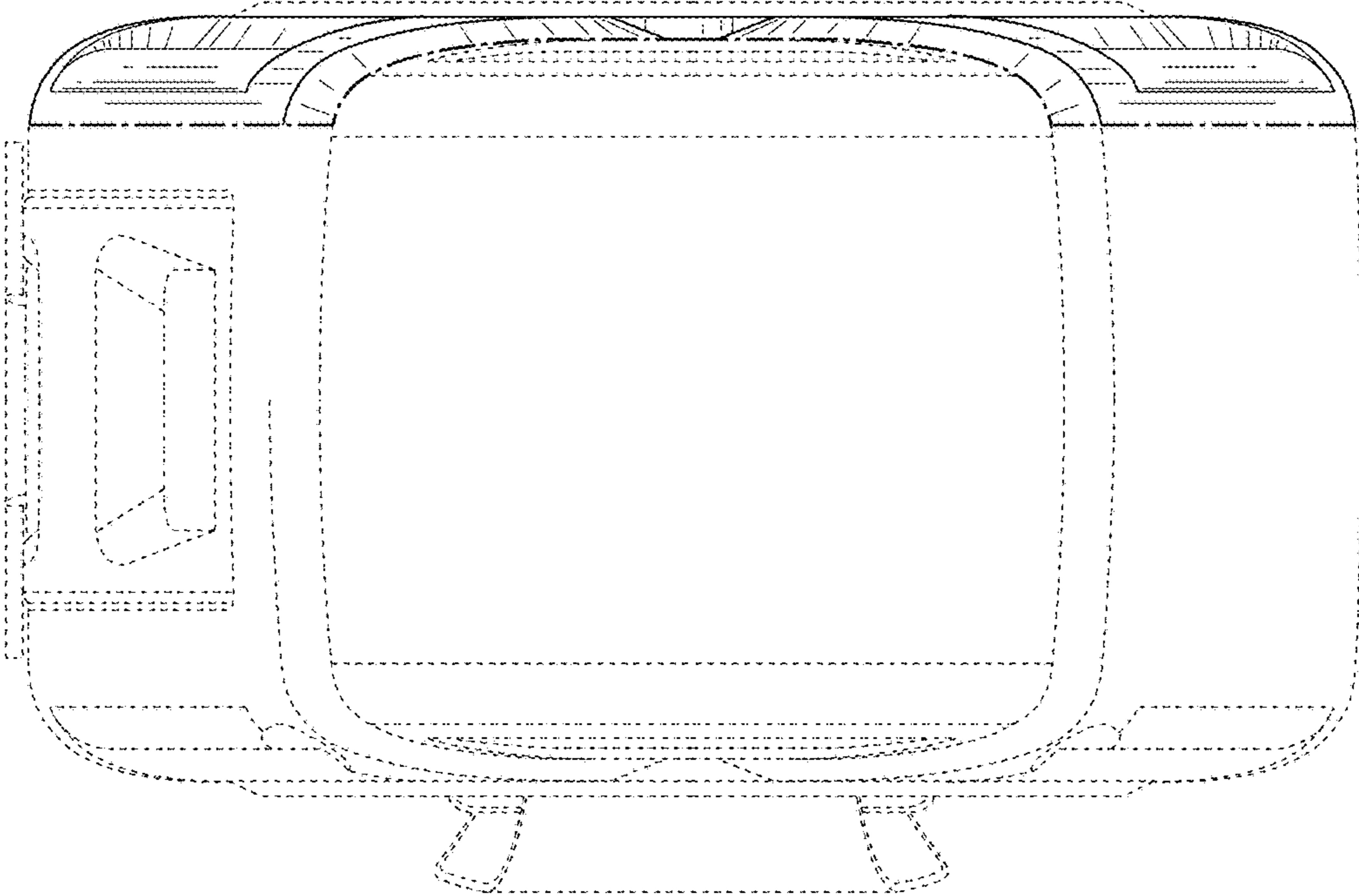


FIG. 4

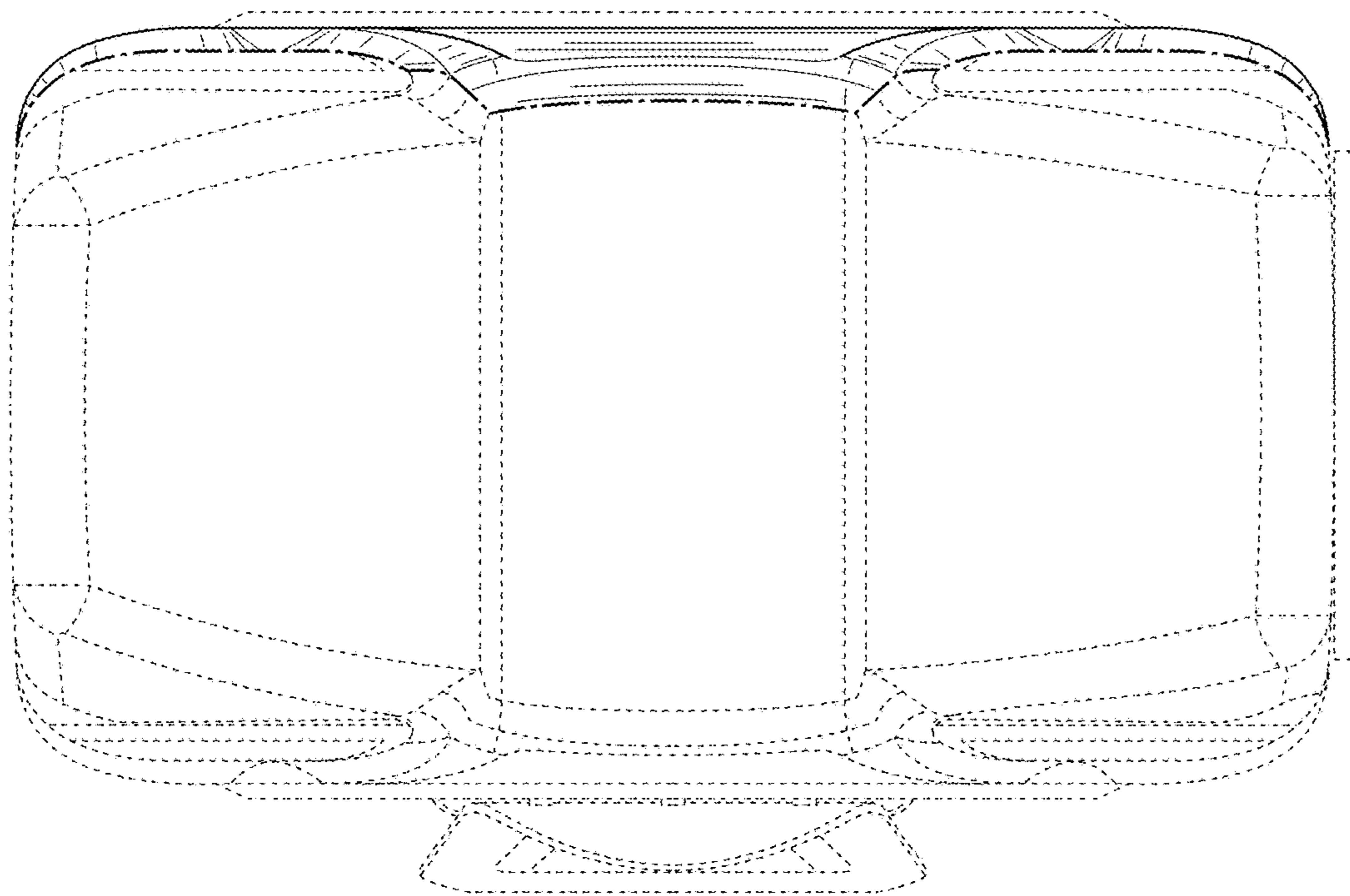


FIG. 5

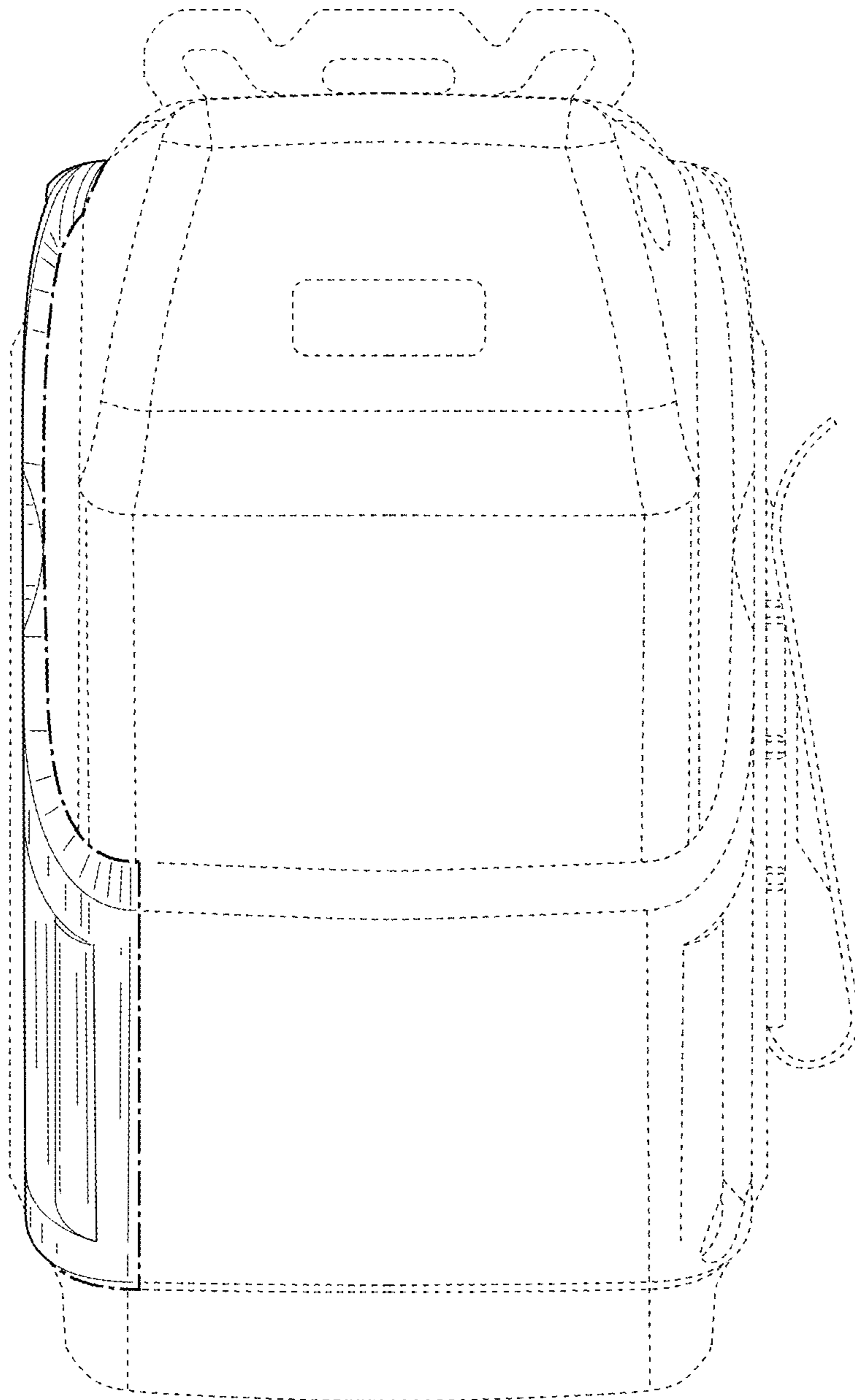


FIG. 6

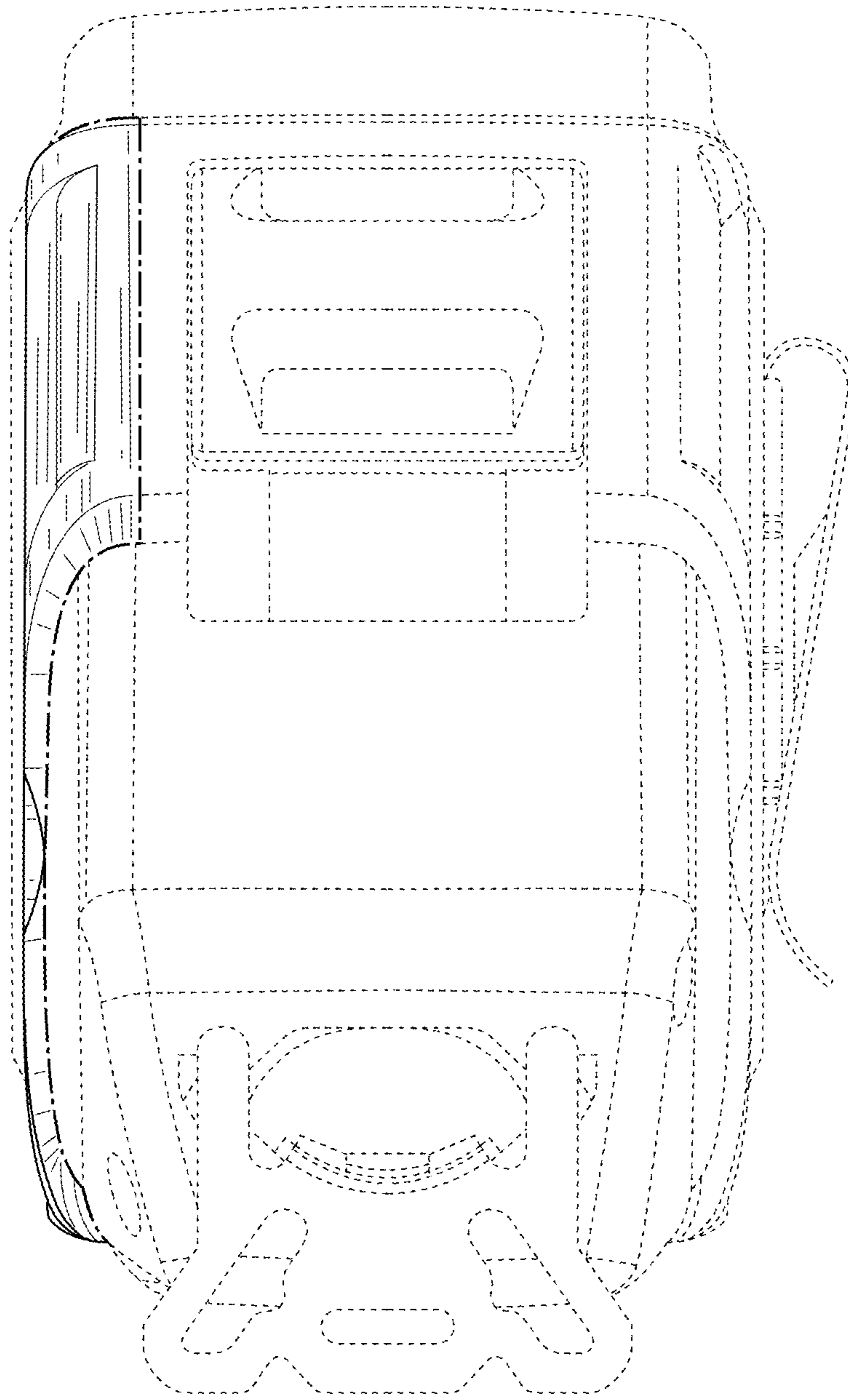


FIG. 7