



US00D832121S

(12) **United States Design Patent** (10) **Patent No.:** **US D832,121 S**  
**Hsieh et al.** (45) **Date of Patent:** **\*\* Oct. 30, 2018**

(54) **INTERCHANGEABLE THERMOSTAT COVER**

33/0854; H05B 37/0218; H05K 5/0017;  
H05K 5/0243; H05K 5/00; H05K 5/03;  
H04M 2250/12; H04M 2250/22

(71) Applicant: **Lux Products Corporation,**  
Philadelphia, PA (US)

See application file for complete search history.

(72) Inventors: **Gary Hsieh,** Philadelphia, PA (US);  
**Alexander Mcauley,** Geneva (CH);  
**Robert S. Munin,** Philadelphia, PA  
(US)

(56) **References Cited**

U.S. PATENT DOCUMENTS

D613,626 S	4/2010	Wang	
D664,453 S	7/2012	Roddy	
D667,739 S	9/2012	Saitou	
D712,756 S	9/2014	Rump et al.	
D716,158 S	10/2014	Baumgartner et al.	
D723,948 S	3/2015	Baumgartner et al.	
D780,699 S *	3/2017	Zhang	D13/162
D810,591 S *	2/2018	Ribbich	D10/60

(73) Assignee: **Lux Products Corporation,**  
Philadelphia, PA (US)

(\*\*) Term: **15 Years**

\* cited by examiner

(21) Appl. No.: **29/603,189**

*Primary Examiner* — Antoine Duval Davis

(22) Filed: **May 8, 2017**

(74) *Attorney, Agent, or Firm* — Panitch Schwarze  
Belisario & Nadel LLP

(51) **LOC (11) Cl.** ..... **10-04**

(52) **U.S. Cl.**  
USPC ..... **D10/60; D13/177**

(57) **CLAIM**

(58) **Field of Classification Search**  
USPC ..... D10/49, 50, 60; D13/162, 162.1, 173,  
D13/177

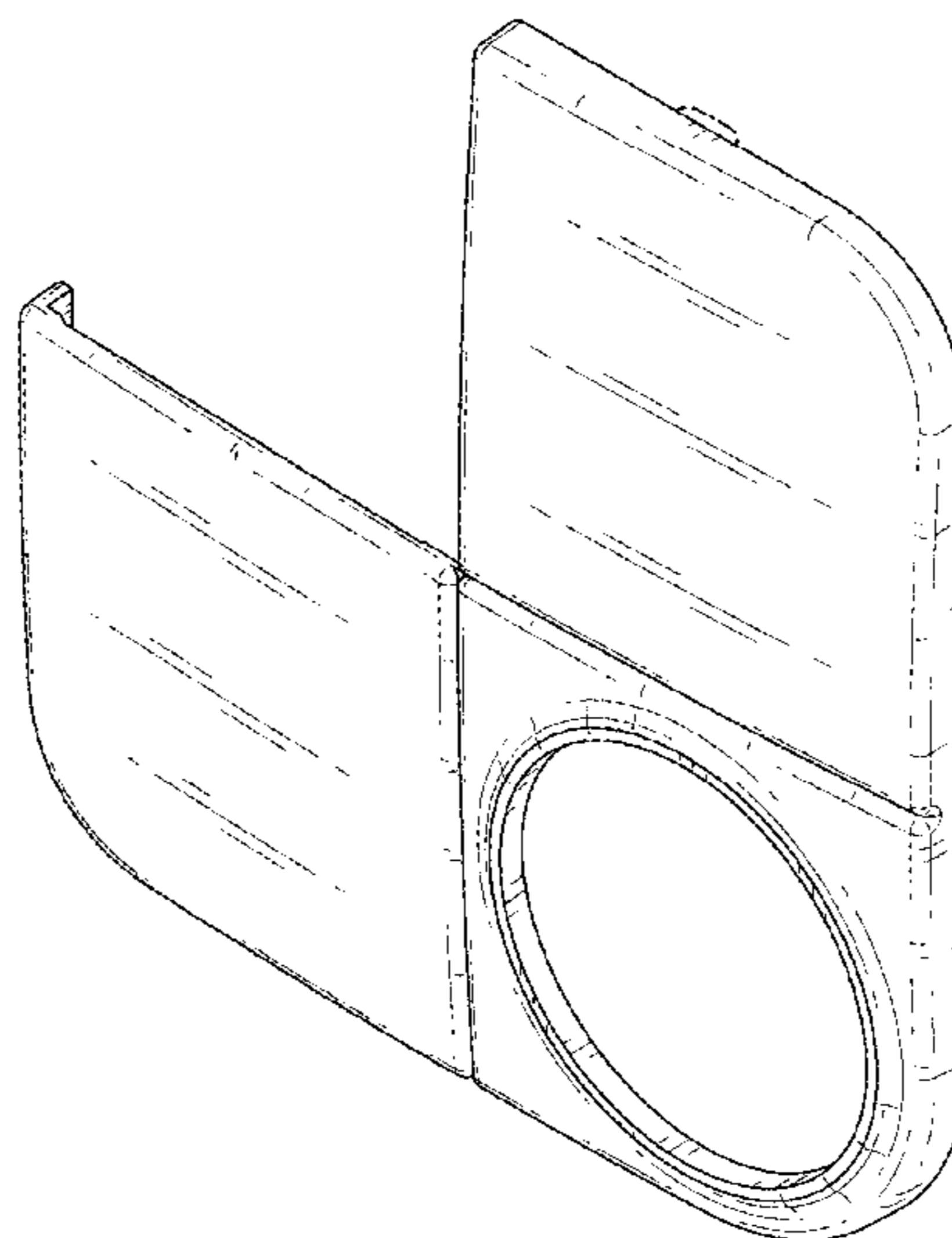
The ornamental design for an interchangeable thermostat cover, as shown and described.

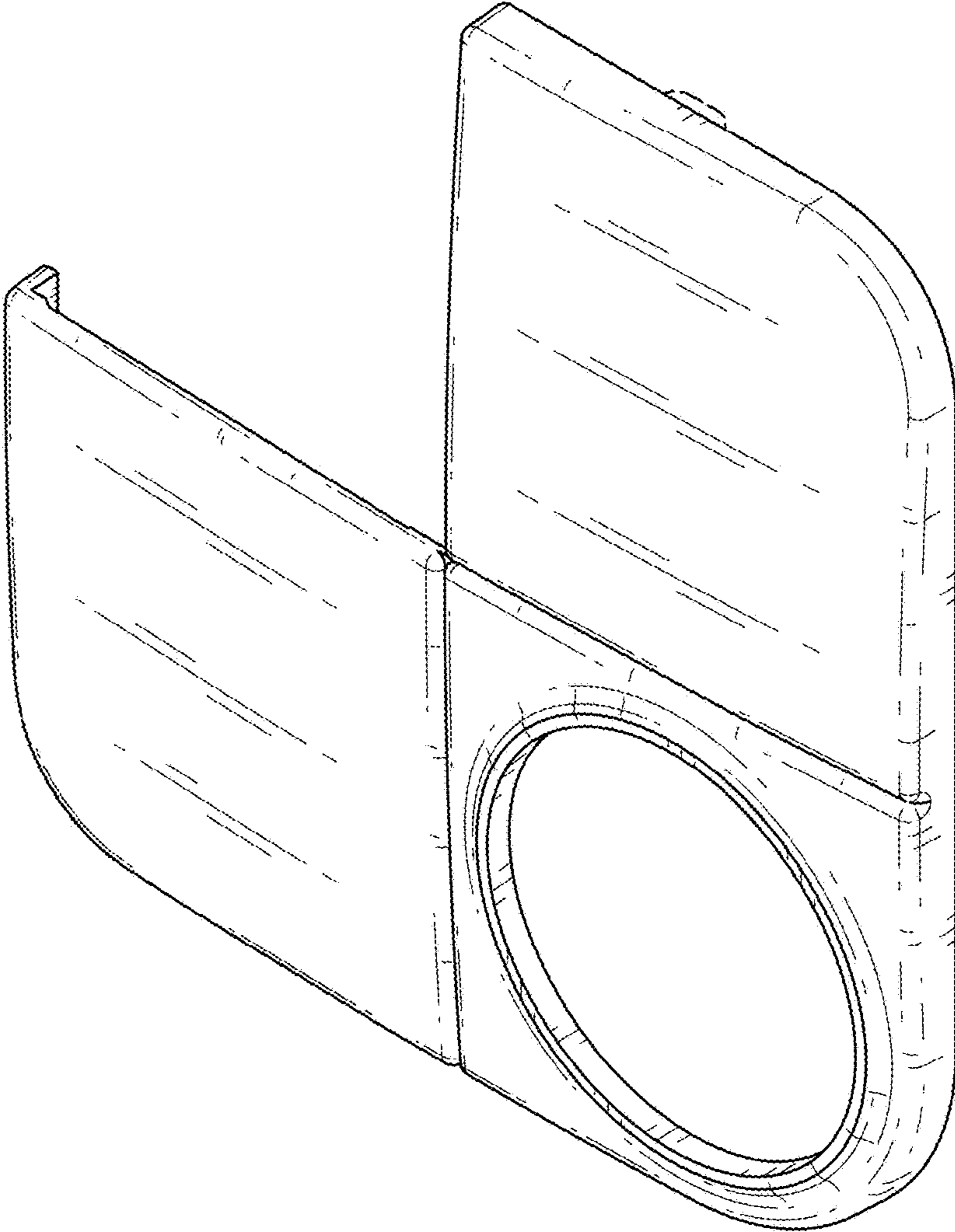
CPC . F23N 5/20; F23N 5/203; F23N 5/206; F23N  
5/18; F23N 5/184; F23N 5/187; F23N  
5/22; F23N 2025/12; F23N 2041/02;  
F24F 11/00; F24F 11/0012; F24F  
11/0009; F24F 11/001; F24F 2011/0057;  
F24F 2011/0073; F24F 2011/0091; F24F  
2011/0094; F24F 2011/0068; F24F  
2011/0012; F24F 2011/0015; F24F  
2011/0017; F21V 11/16; F21V 33/10;  
G05B 19/042; G05D 23/01; G05D 23/12;  
G05D 23/275; G05D 23/1902; G05D  
23/1904; G05D 23/27502; G05D  
23/27503; G05D 23/1919; G05D 23/19;  
G05D 23/2723; G05D 23/00; G09F  
13/22; G09F 9/53; G06F 1/1684; G06F  
1/30; G06F 3/0362; G06F 3/038; H05B

**DESCRIPTION**

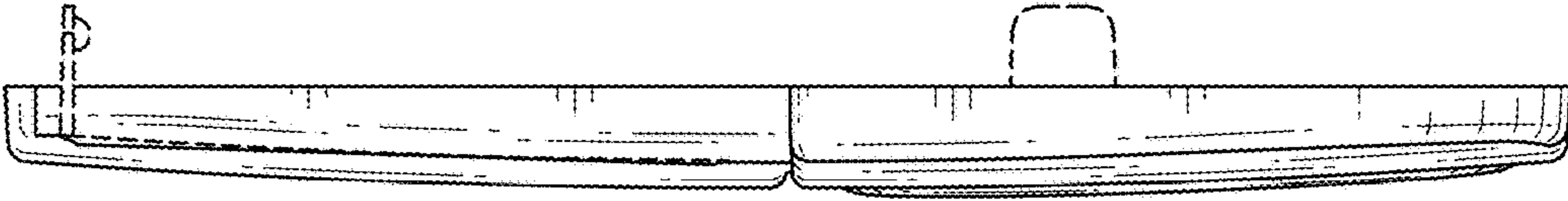
FIG. 1 is a front perspective view of an interchangeable thermostat cover in accordance with a preferred embodiment of our design;  
FIG. 2 is a top plan view thereof;  
FIG. 3 is a front elevational view thereof;  
FIG. 4 is a bottom plan view thereof;  
FIG. 5 is a right side elevational view thereof;  
FIG. 6 is a left side elevational view thereof; and,  
FIG. 7 is a rear elevational view thereof.  
The broken lines in the figures are for the purpose of showing environmental structure, are for illustrative purposes only, and form no part of the claimed design.

**1 Claim, 4 Drawing Sheets**

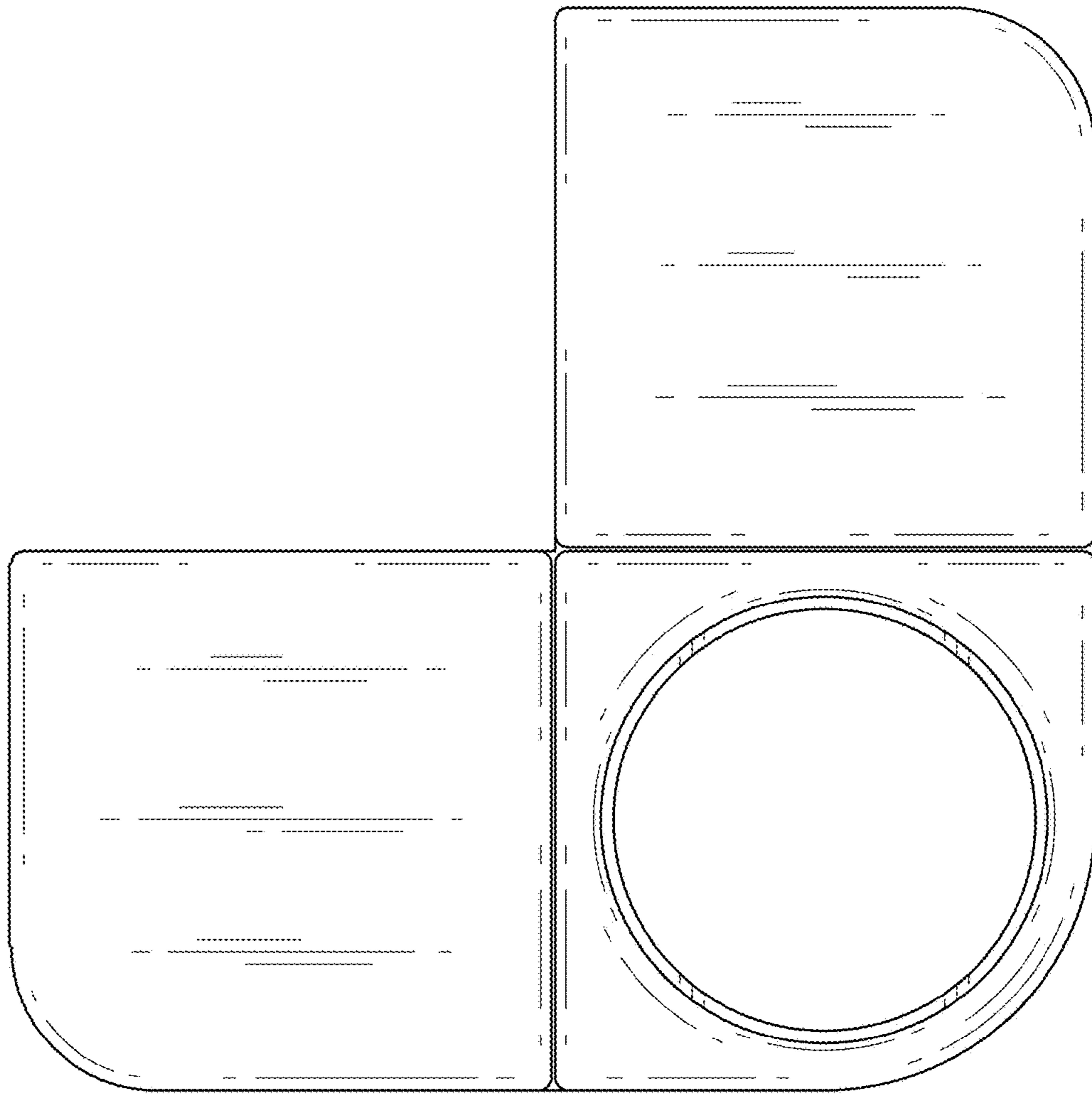




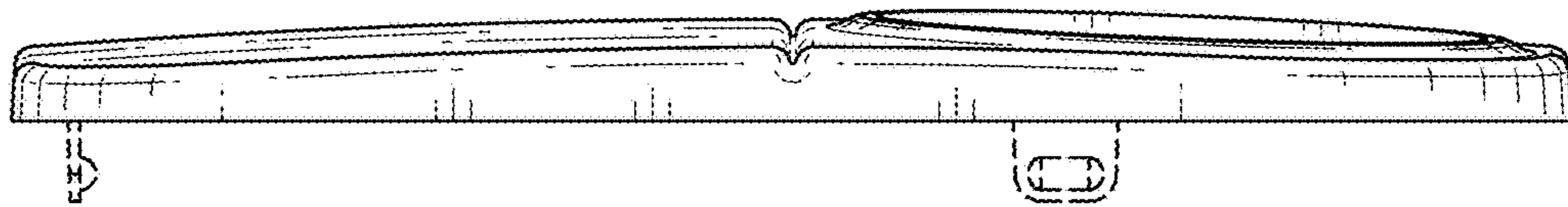
*Fig. 1*



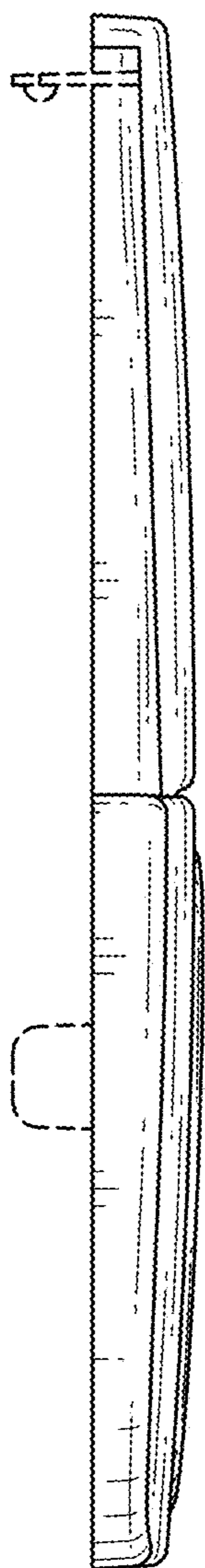
*Fig. 2*



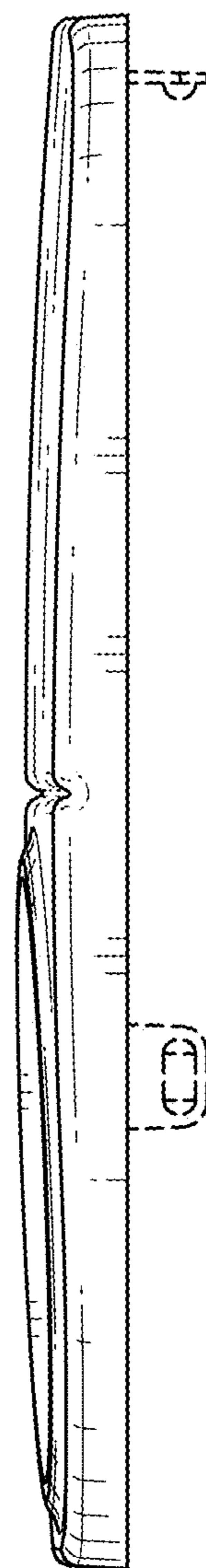
*Fig. 3*



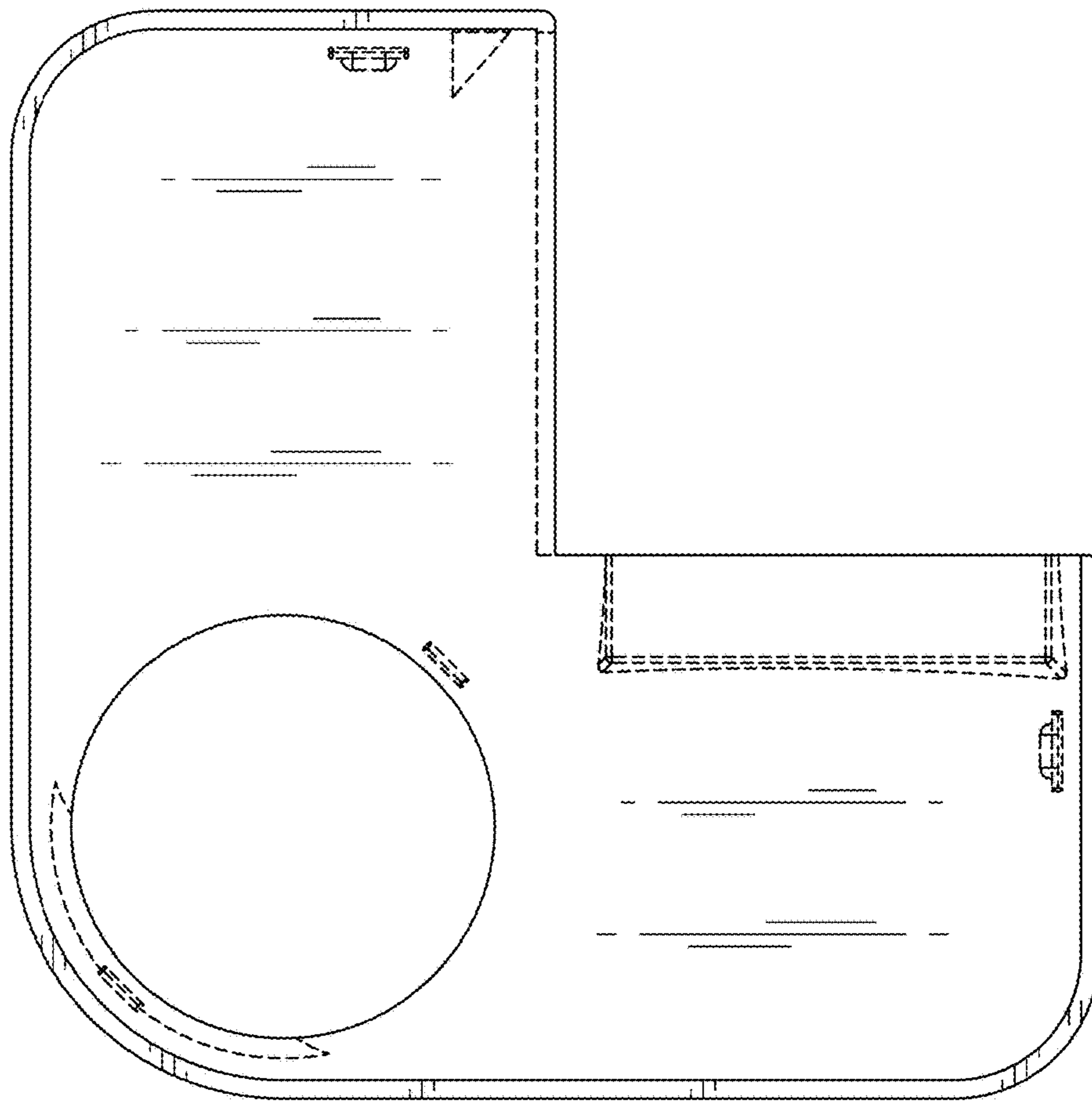
*Fig. 4*



*Fig. 5*



*Fig. 6*



*Fig. 7*