



US00D832119S

(12) **United States Design Patent** (10) **Patent No.:** **US D832,119 S**
Choi (45) **Date of Patent:** **** Oct. 30, 2018**

(54) **TEMPERATURE-HUMIDITY SENSOR**
(71) Applicant: **LG ELECTRONICS INC.**, Seoul (KR)
(72) Inventor: **Taehong Choi**, Seoul (KR)
(73) Assignee: **LG ELECTRONICS INC.**, Seoul (KR)
(**) Term: **15 Years**

(21) Appl. No.: **35/503,322**

(22) Filed: **Jan. 11, 2017**

(80) **Hague Agreement Data**
Int. Filing Date: **Jan. 11, 2017**
Int. Reg. No.: **DM/094288**
Int. Reg. Date: **Jan. 11, 2017**
Int. Reg. Pub. Date: **Jul. 14, 2017**

(30) **Foreign Application Priority Data**
Jul. 27, 2016 (KR) 30-2016-0036813
(51) **LOC (11) Cl.** **10-04**
(52) **U.S. Cl.**
USPC **D10/52**
(58) **Field of Classification Search**
USPC D10/56, 57, 104.1, 52
See application file for complete search history.

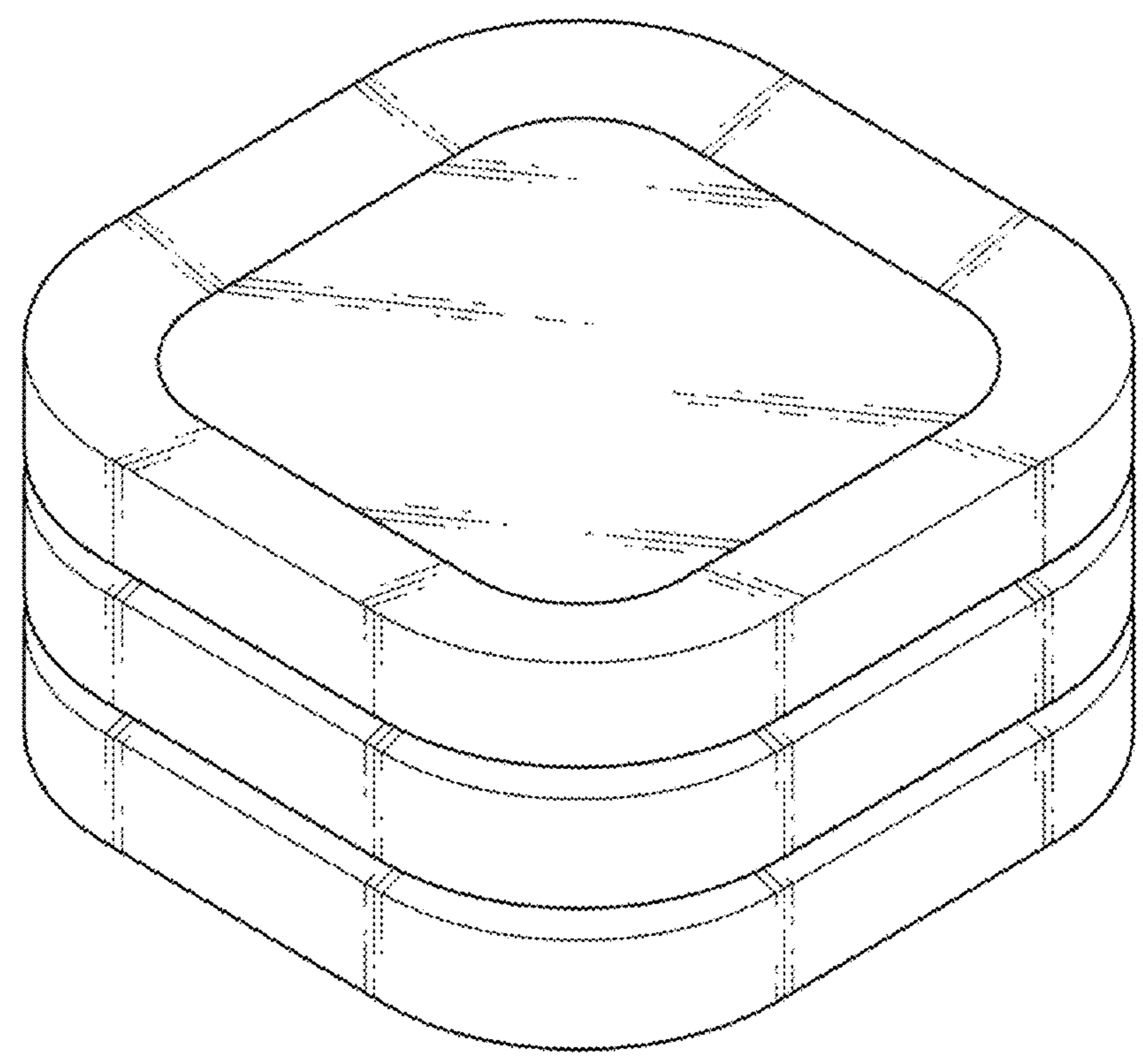
(56) **References Cited**
U.S. PATENT DOCUMENTS
D579,800 S * 11/2008 Mobley D10/57
D653,130 S * 1/2012 Borovicka D10/57
D726,134 S * 4/2015 Prendes D10/104.1
D728,395 S * 5/2015 Roberts D10/104.1
D744,884 S * 12/2015 Roberts D10/104.1
D782,354 S * 3/2017 Lovin D10/101
D802,462 S * 11/2017 Morneau D10/101
D805,938 S * 12/2017 Park D10/104.1
D818,851 S * 5/2018 Caldwell D10/56

* cited by examiner
Primary Examiner — George D. Kirschbaum
(74) *Attorney, Agent, or Firm* — Birch, Stewart, Kolasch & Birch, LLP

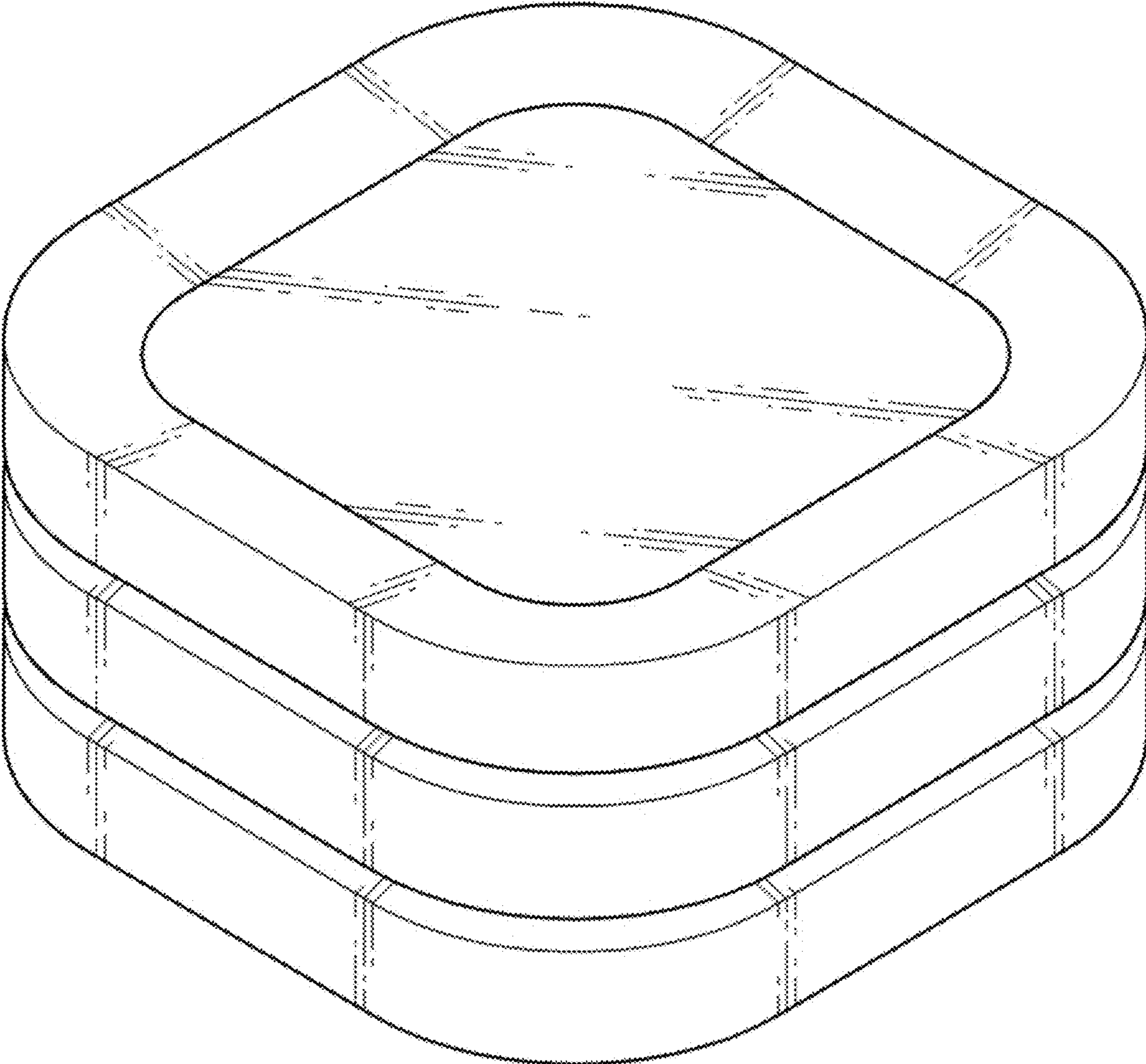
(57) **CLAIM**
The ornamental design for a temperature-humidity sensor, as shown and described.

DESCRIPTION
1. Temperature-humidity sensor
1.1 is a top perspective view.
1.2 is a front view.
1.3 is a rear view.
1.4 is a right side view.
1.5 is a left side view.
1.6 is a top view.
1.7 is a bottom view.

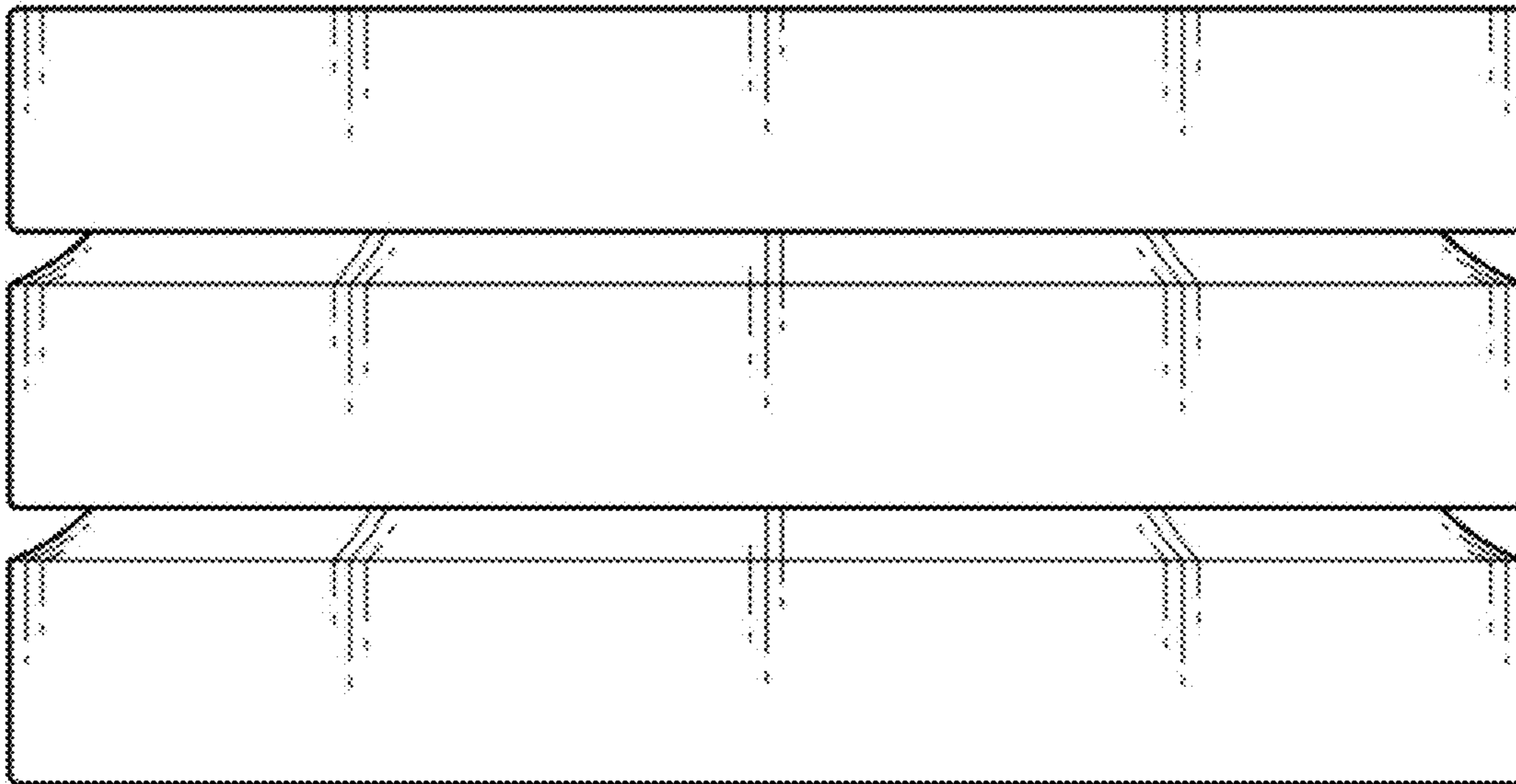
1 Claim, 7 Drawing Sheets



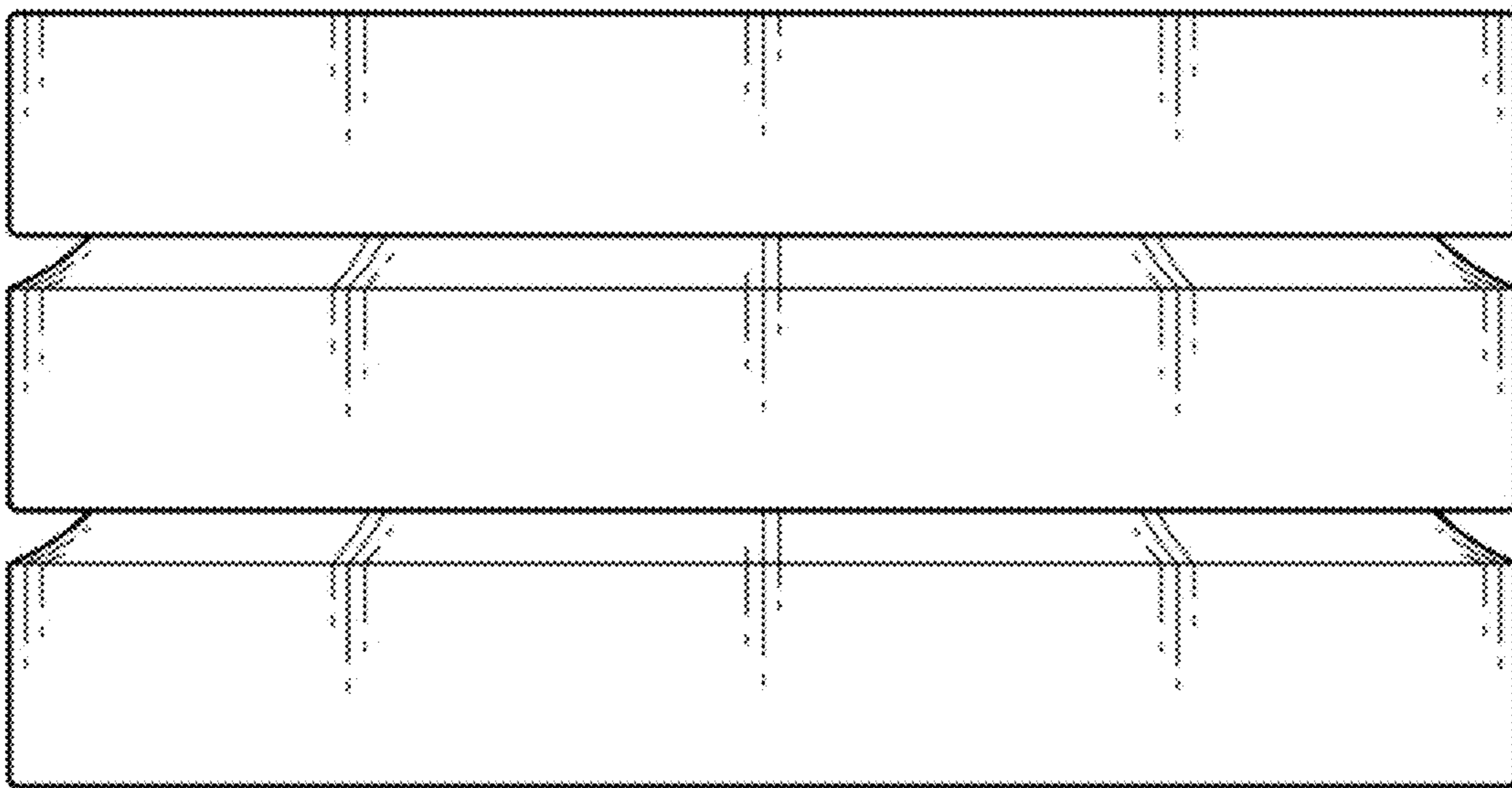
1.1



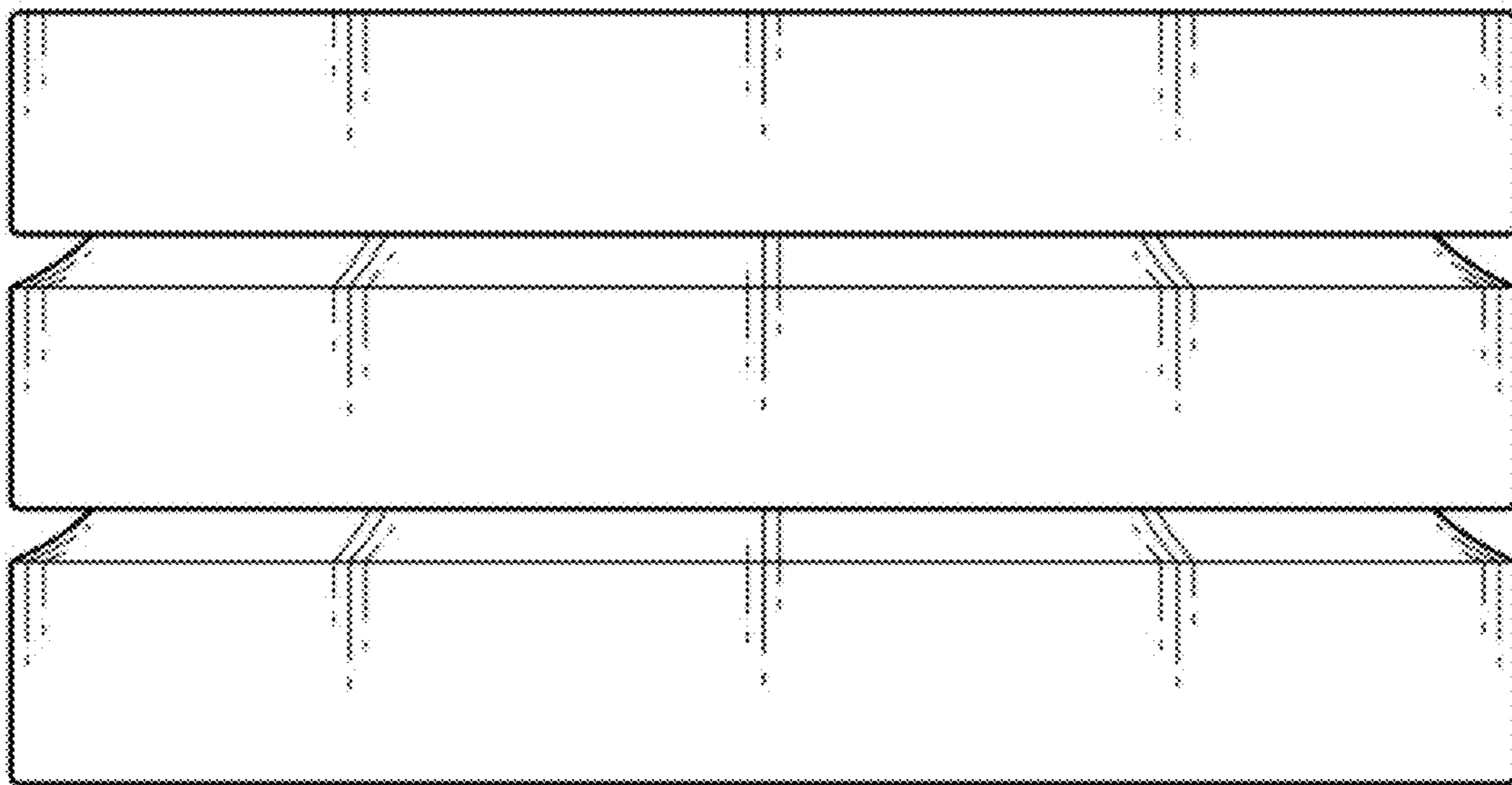
1.2



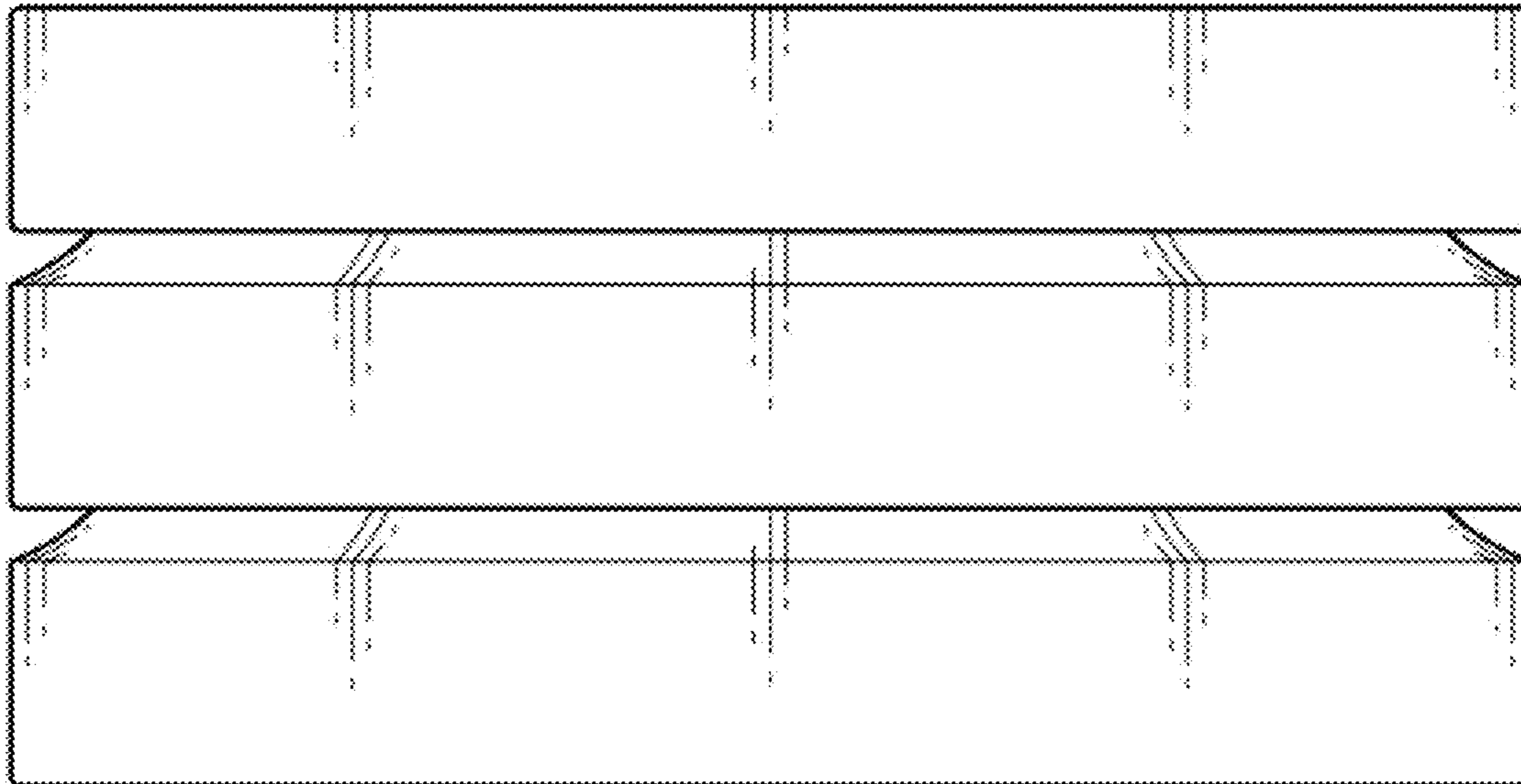
1.3



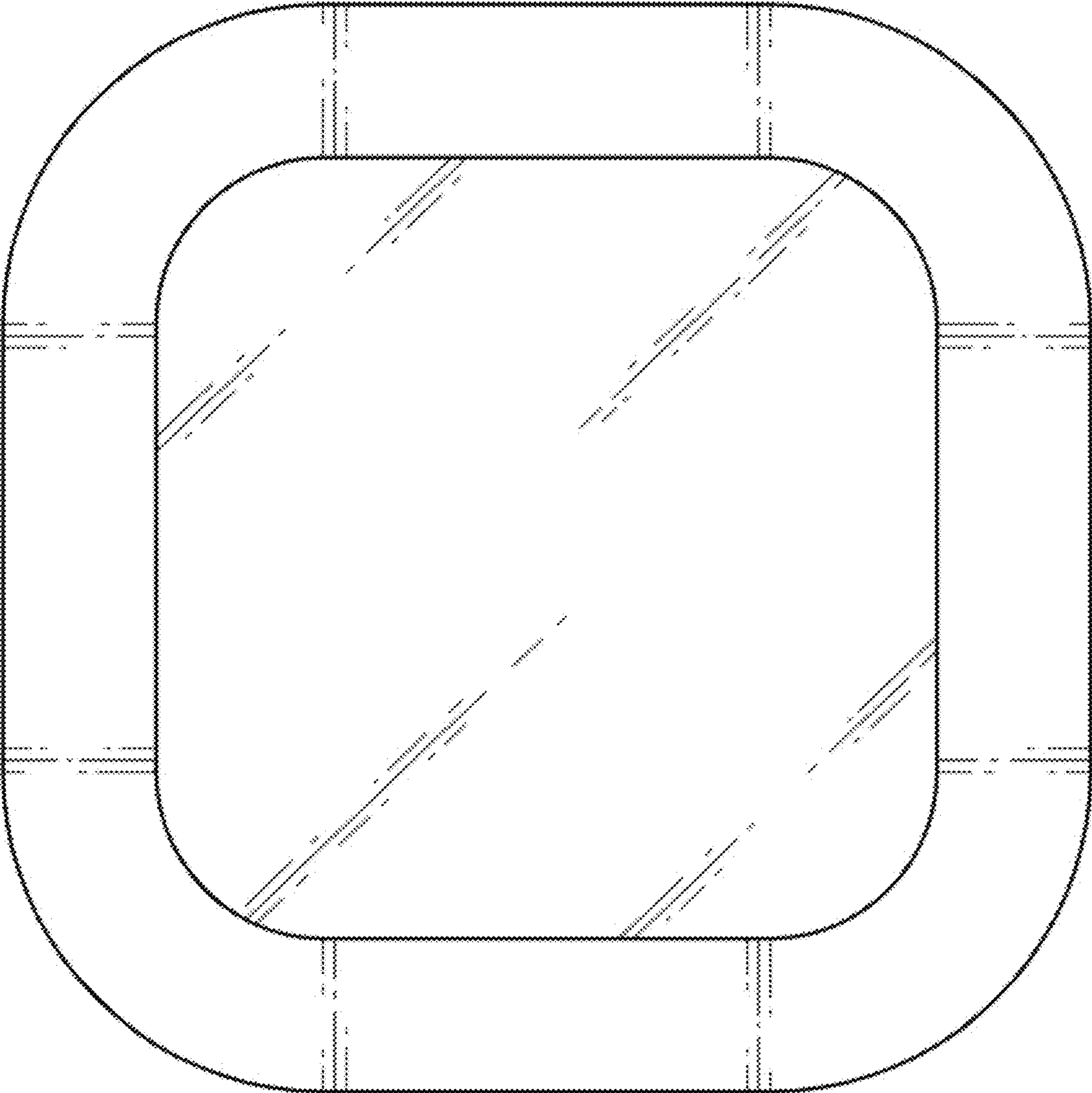
1.4



1.5



1.6



1.7

