



US00D832118S

(12) **United States Design Patent** (10) **Patent No.:** **US D832,118 S**
Higashijima et al. (45) **Date of Patent:** **** Oct. 30, 2018**

(54) **REMOTE CONTROL FOR WATER HEATER**

(56) **References Cited**

(71) Applicant: **RINNAI CORPORATION**, Aichi-Ken (JP)

U.S. PATENT DOCUMENTS

(72) Inventors: **Hiroaki Higashijima**, Nagoya (JP);
Katsunori Maegawa, Nagoya (JP);
Yoshikazu Kubo, Nagoya (JP); **Tomoe Usami**, Nagoya (JP)

D344,901 S	*	3/1994	Conforti	D10/50
D646,186 S	*	10/2011	Edgar	D10/50
D666,727 S	*	9/2012	Held	D24/186
D705,688 S	*	5/2014	Saikawa	D10/108
D705,689 S	*	5/2014	Saikawa	D10/108
D705,723 S	*	5/2014	Saikawa	D13/108
D803,791 S	*	11/2017	Pahner	D13/164

(73) Assignee: **RINNAI CORPORATION**, Nagoya-shi (JP)

* cited by examiner

(**) Term: **15 Years**

Primary Examiner — George D. Kirschbaum

(21) Appl. No.: **35/503,866**

(74) *Attorney, Agent, or Firm* — James R. Gourley;
Carstens & Cahoon, LLP

(22) Filed: **Apr. 21, 2017**

(57) **CLAIM**

(80) **Hague Agreement Data**

Int. Filing Date: **Apr. 21, 2017**

Int. Reg. No.: **DM/096278**

Int. Reg. Date: **Apr. 21, 2017**

Int. Reg. Pub. Date: **Oct. 27, 2017**

The ornamental design for a remote control for water heater, as shown and described.

(30) **Foreign Application Priority Data**

Oct. 28, 2016 (JP) 2016-023519

(51) **LOC (11) Cl.** **10-04**

(52) **U.S. Cl.**
USPC **D10/50**

(58) **Field of Classification Search**
USPC D10/104.1, 108, 106.1, 106.95, 50;
D13/108, 164; D24/186
See application file for complete search history.

DESCRIPTION

1. Remote control for water heater

1.1 : Perspective

1.2 : Front

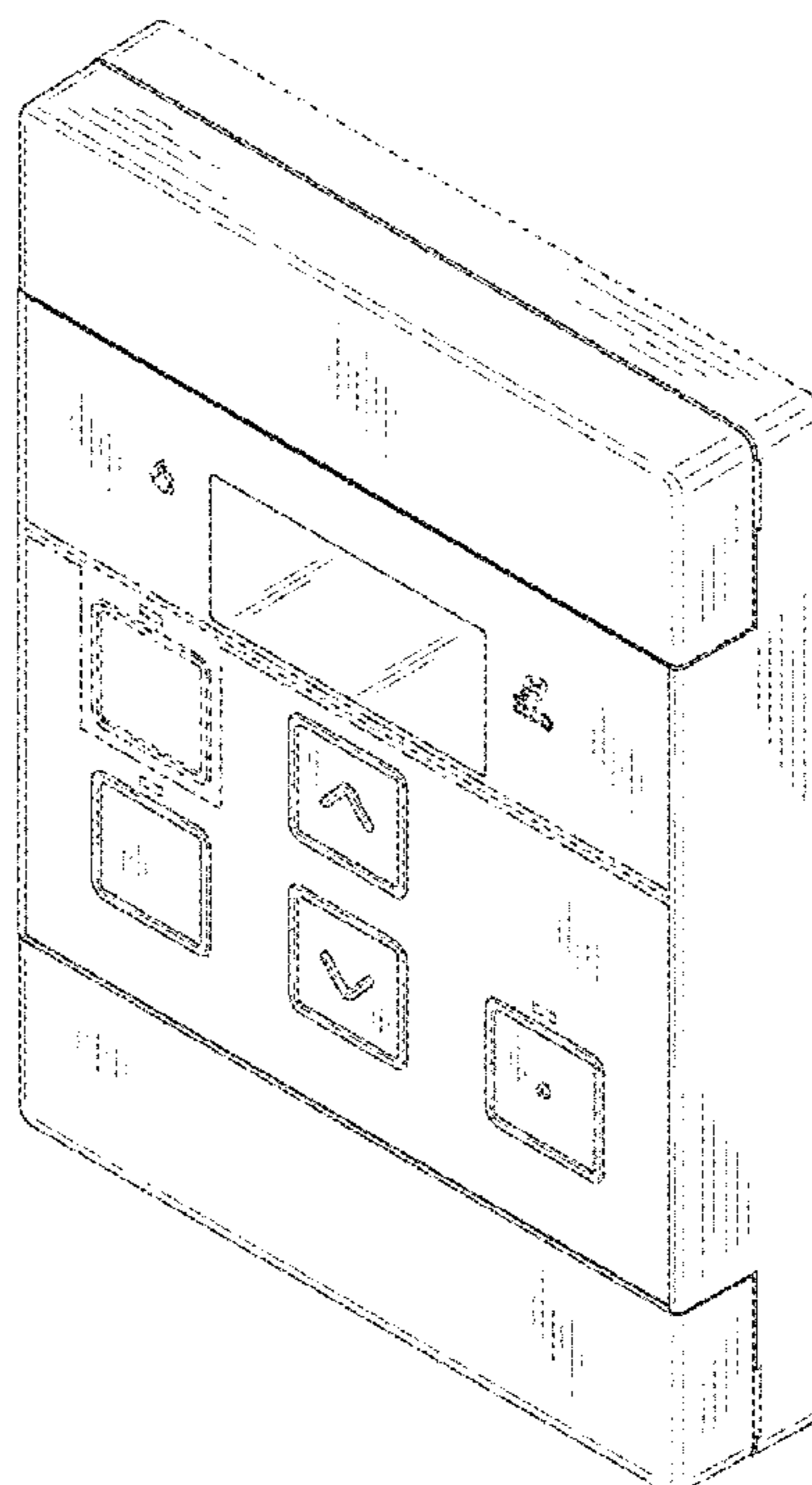
1.3 : Top

1.4 : Right

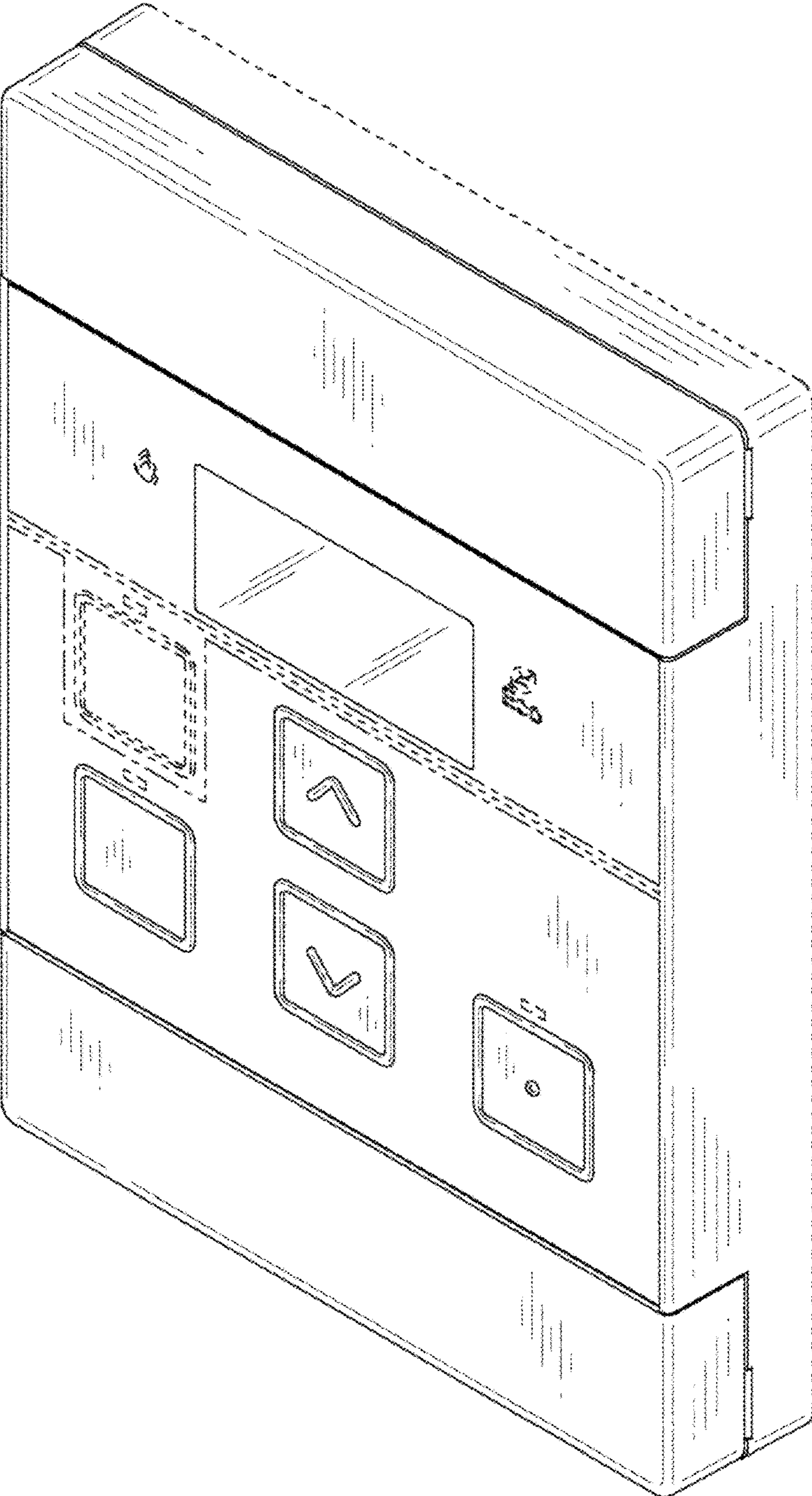
1.5 : Left

The bottom view is omitted since it is symmetrical to the top view; the broken lines in the drawings form no part of the claimed designs; the dashed-dotted lines represent the unclaimed boundaries.

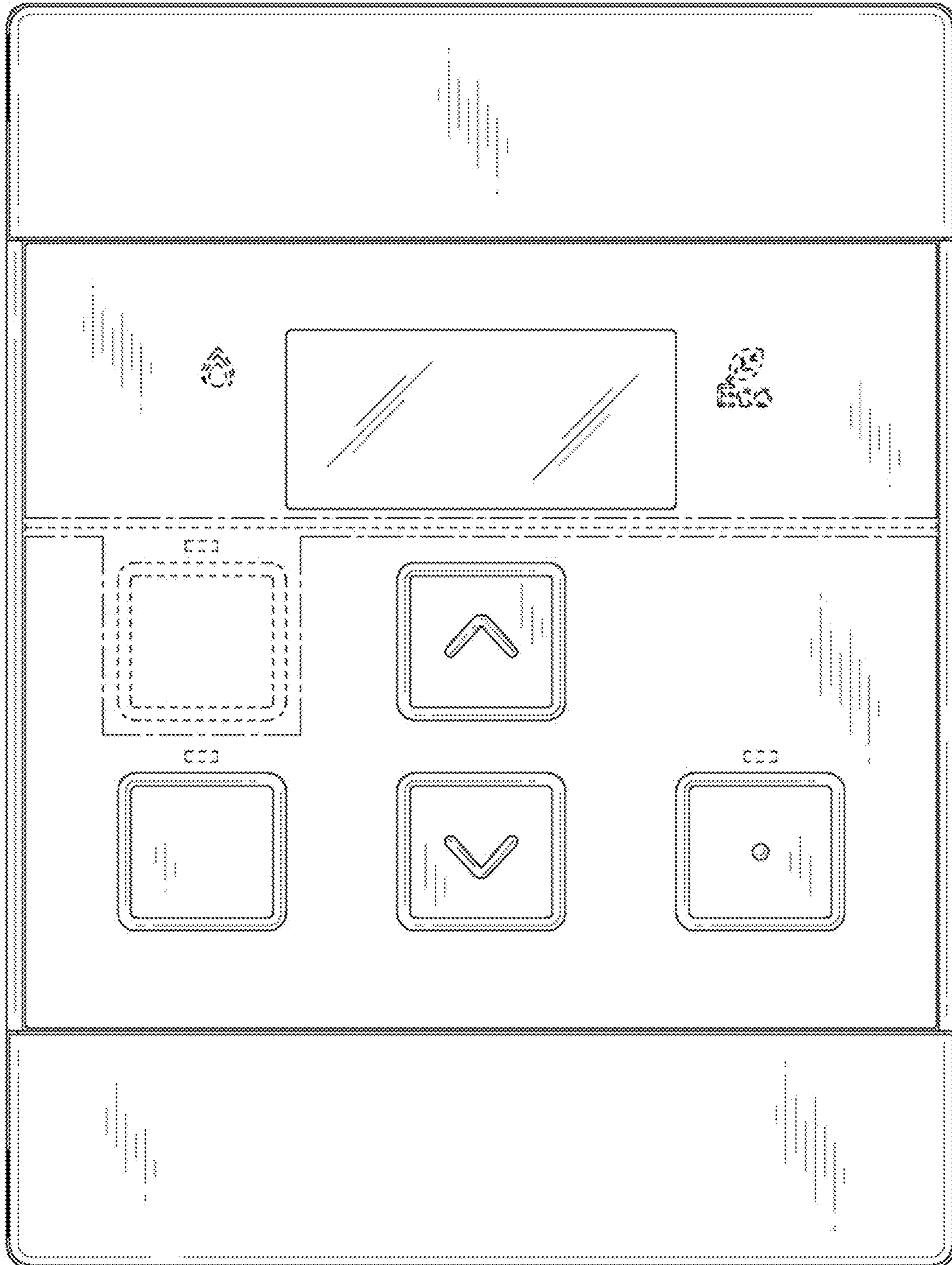
1 Claim, 5 Drawing Sheets



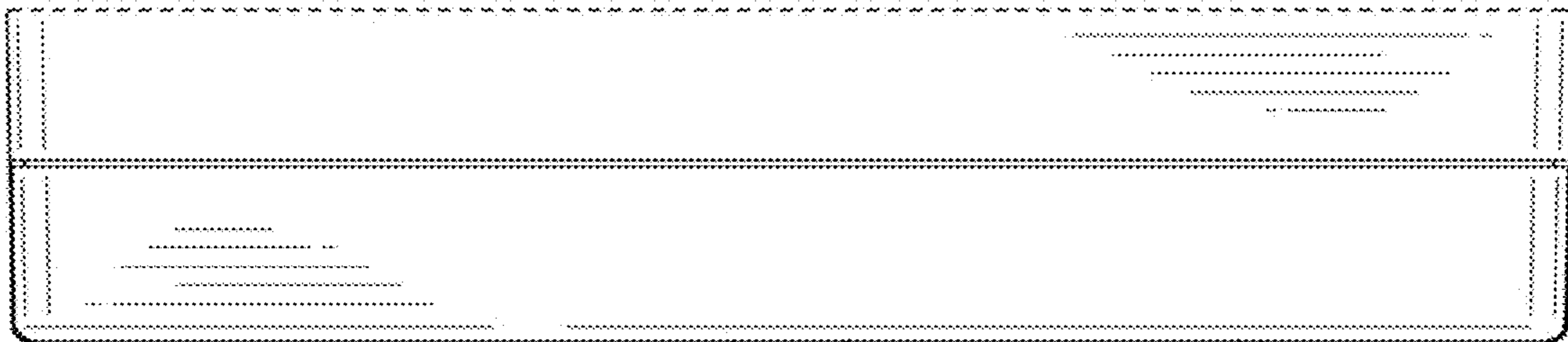
1.1



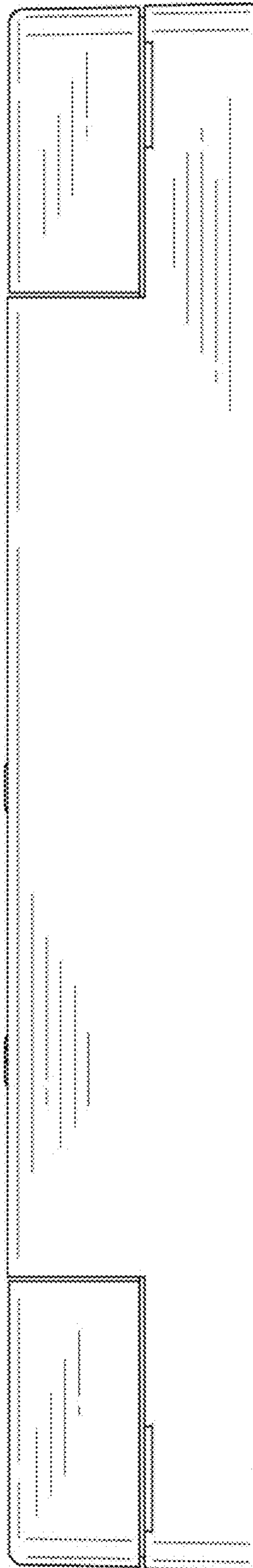
1.2



1.3



1.4



1.5

