



US00D832116S

(12) **United States Design Patent** (10) **Patent No.:** **US D832,116 S**  
**Wonderley** (45) **Date of Patent:** **\*\* Oct. 30, 2018**

- (54) **BLADE DISPENSER**
- (71) Applicant: **ACCUTECH BLADES, INC.**, Verona, VA (US)
- (72) Inventor: **Jeffrey Wonderley**, Fort Defiance, VA (US)
- (73) Assignee: **ACCUTECH BLADES, INC.**, Verona, VA (US)

2,094,722 A 10/1937 Sandford  
 2,272,444 A 2/1942 Testi  
 2,295,464 A 9/1942 Garbaty  
 (Continued)

**FOREIGN PATENT DOCUMENTS**

CA 127032 S 7/2009  
 CA 127039 S 7/2009  
 (Continued)

(\*\*) Term: **15 Years**

**OTHER PUBLICATIONS**

(21) Appl. No.: **29/594,541**

International Search Report issued in PCT/US2014/064510. dated Jan. 30, 2015.

(22) Filed: **Feb. 20, 2017**

(Continued)

**Related U.S. Application Data**

(63) Continuation-in-part of application No. 29/491,543, filed on May 22, 2014, now Pat. No. Des. 779,338.

*Primary Examiner* — Lauren R Calve

(74) *Attorney, Agent, or Firm* — McGuire Woods LLP

(51) **LOC (11) Cl.** ..... **09-01**

(57) **CLAIM**

(52) **U.S. Cl.**  
USPC ..... **D9/735**

I claim the ornamental design for a blade dispenser, as shown and described.

(58) **Field of Classification Search**  
 USPC ..... D9/414, 730, 735; D3/20, 201, 203.1;  
 D28/73, 78, 83; 206/38, 208, 556, 738,  
 206/739, 756, 758; 221/198, 279, 281;  
 D8/300, 307; D14/432, 483, 511, 237;  
 D13/174  
 CPC .. B65D 83/10; B65D 83/0005; B65D 83/005;  
 B65D 83/08; B65D 83/0805; B65D  
 83/0817; B65D 83/0829; B65D 83/087;  
 B65D 1/36; B65D 2583/082  
 See application file for complete search history.

**DESCRIPTION**

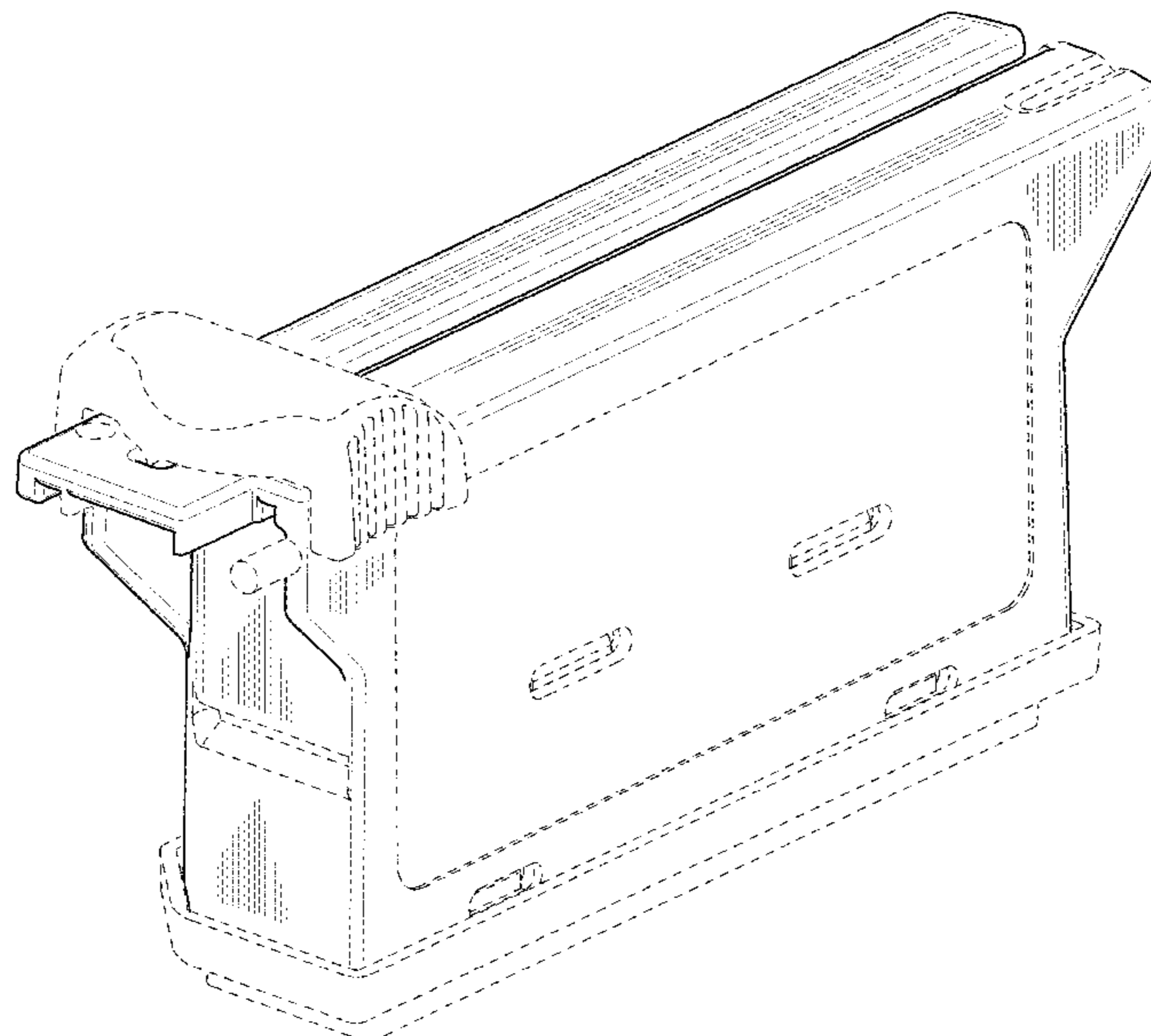
FIG. 1 is an isometric right side view of a blade dispenser;  
 FIG. 2 is an isometric left side view of the blade dispenser of FIG. 1;  
 FIG. 3 is an isometric bottom view of the blade dispenser of FIG. 1;  
 FIG. 4 is a left side view of the blade dispenser of FIG. 1;  
 FIG. 5 is a right side view of the blade dispenser of FIG. 1;  
 FIG. 6 is a top view of the blade dispenser of FIG. 1;  
 FIG. 7 is a bottom view of the blade dispenser of FIG. 1;  
 FIG. 8 is a rear view of the blade dispenser of FIG. 1; and,  
 FIG. 9 is a front view of the blade dispenser of FIG. 1.  
 The broken lines shown represent unclaimed subject matter and form no part of the claimed design.

(56) **References Cited**

**U.S. PATENT DOCUMENTS**

1,350,886 A 8/1920 Scholz  
 1,654,554 A 1/1928 Pasch

**1 Claim, 7 Drawing Sheets**



(56)

References Cited

U.S. PATENT DOCUMENTS

2,303,764 A 12/1942 Roberts  
 2,309,780 A 2/1943 Muros  
 2,321,570 A 6/1943 Billing  
 2,344,962 A 3/1944 Benjamin  
 2,431,523 A 11/1947 Tuerff et al.  
 2,439,243 A 4/1948 Dalkowitz  
 2,458,020 A 1/1949 Olsen  
 D156,909 S 1/1950 Nelson  
 2,522,896 A 9/1950 Rifkin et al.  
 2,564,712 A \* 8/1951 Muros ..... B65D 83/10  
 221/232  
 2,624,453 A \* 1/1953 Muros ..... B65D 83/10  
 221/232  
 2,637,900 A 5/1953 Thompson  
 2,641,358 A 6/1953 Santo  
 2,653,704 A \* 9/1953 Nelson ..... B65D 83/10  
 206/355  
 2,684,151 A 7/1954 Arrighi  
 2,685,364 A 8/1954 Treiss  
 D179,225 S 11/1956 Smith  
 2,792,933 A 5/1957 Butlin  
 2,829,764 A 4/1958 Silverman  
 2,889,076 A 6/1959 Van Schee  
 D187,224 S 2/1960 Jakeway  
 D187,389 S 3/1960 Becker  
 D187,562 S 3/1960 Zierhut  
 2,946,482 A 7/1960 Johnson  
 2,971,676 A 2/1961 Honcharenko  
 3,037,664 A \* 6/1962 Kuhul ..... B65D 83/10  
 206/356  
 3,040,929 A 6/1962 Tapper  
 3,070,260 A 12/1962 Smith  
 3,080,998 A \* 3/1963 La Cas ..... B65D 83/10  
 221/232  
 3,093,266 A \* 6/1963 Kuhl ..... B65D 83/10  
 221/102  
 3,115,991 A 12/1963 Carew et al.  
 3,373,862 A 3/1968 Minchin  
 3,460,712 A \* 8/1969 Lowry ..... B26B 21/24  
 221/102  
 3,542,245 A 11/1970 Braginetz  
 3,543,918 A 12/1970 Borden et al.  
 3,549,046 A 12/1970 Ten  
 3,563,412 A 2/1971 James  
 3,612,348 A 10/1971 Thomas  
 3,667,122 A 6/1972 Black  
 D227,753 S 7/1973 Muncy  
 3,767,083 A 10/1973 Webb  
 D231,202 S 4/1974 Stratford et al.  
 D231,670 S 5/1974 Genaro et al.  
 3,827,597 A 8/1974 Braginetz  
 3,850,343 A \* 11/1974 Petrillo ..... B26B 21/24  
 206/255  
 3,869,066 A \* 3/1975 Ferraro ..... B65D 83/10  
 221/102  
 D235,135 S \* 5/1975 Poisson ..... D9/735  
 D240,116 S 6/1976 Poisson  
 D240,902 S \* 8/1976 Byrne ..... D9/735  
 4,114,780 A 9/1978 Sharon  
 4,151,931 A 5/1979 Scherer et al.  
 D252,558 S 8/1979 Beck  
 D252,853 S 9/1979 Perkins  
 4,207,790 A 6/1980 Endo  
 D260,054 S 8/1981 Morgan  
 D260,489 S 9/1981 Pritchard  
 4,316,554 A 2/1982 Lloyd  
 4,379,514 A 4/1983 Joffe  
 4,430,012 A 2/1984 Kooy  
 4,730,376 A 3/1988 Yamada  
 4,789,080 A 12/1988 Iten  
 4,792,058 A 12/1988 Parker  
 D299,288 S 1/1989 Stafford  
 4,826,042 A 5/1989 Vujovich  
 4,850,512 A 7/1989 Vujovich

D303,082 S 8/1989 Iten  
 4,852,379 A 8/1989 Levenberg  
 D307,670 S 5/1990 Nava  
 D317,985 S 7/1991 Alm  
 5,139,167 A 8/1992 McCarthy  
 5,148,916 A 9/1992 Tillyer, Sr.  
 5,251,783 A 10/1993 Gringer  
 D341,568 S 11/1993 Sorenson et al.  
 5,305,913 A 4/1994 Shade  
 D390,103 S 2/1998 Gerson  
 D392,157 S 3/1998 Shibuya  
 D403,954 S 1/1999 Okada et al.  
 D407,972 S 4/1999 Hilton  
 6,082,581 A 7/2000 Anderson et al.  
 6,102,098 A 8/2000 Randazzo  
 D432,911 S 10/2000 Clarke et al.  
 D433,940 S 11/2000 Lindsay et al.  
 6,158,616 A 12/2000 Huang  
 6,382,460 B1 5/2002 Gonzalez  
 6,508,380 B1 1/2003 Von Schuckmann  
 D474,402 S 5/2003 Baerenwald  
 6,598,761 B1 6/2003 Chou  
 6,763,972 B2 7/2004 Graupner  
 6,796,455 B2 9/2004 Schmidt  
 D519,469 S 4/2006 Sorenson  
 D522,855 S 6/2006 Liebe et al.  
 D527,995 S 9/2006 Tanner  
 7,140,650 B2 11/2006 Berg  
 D536,624 S \* 2/2007 Novak ..... D9/735  
 D540,539 S 4/2007 Gutierrez  
 D546,671 S 7/2007 Cronin et al.  
 D550,632 S 9/2007 Samuels et al.  
 D554,468 S 11/2007 Ahlgren  
 D555,512 S 11/2007 Lam  
 D561,047 S 2/2008 Shields  
 D595,152 S \* 6/2009 van Deursen ..... D9/735  
 D596,046 S \* 7/2009 van Deursen ..... D9/735  
 7,641,072 B1 1/2010 Vlastakis et al.  
 D613,147 S 4/2010 Ito  
 D624,833 S 10/2010 Van Deursen  
 D650,986 S 12/2011 Brady et al.  
 D702,649 S 4/2014 Ichio  
 D720,628 S 1/2015 Erdmann  
 D727,272 S 4/2015 Johnson  
 D742,760 S \* 11/2015 Garavaglia ..... D8/71  
 D779,338 S \* 2/2017 Wonderley ..... D9/735  
 2002/0162849 A1 11/2002 Chen  
 2003/0146236 A1 8/2003 Chou  
 2004/0099682 A1 5/2004 Huang  
 2004/0178214 A1 9/2004 Wei  
 2004/0178216 A1 9/2004 Brickwood et al.  
 2004/0200080 A1 10/2004 Lauri  
 2005/0281706 A1 12/2005 Funke et al.  
 2006/0049201 A1 3/2006 Lanz  
 2007/0034640 A1 2/2007 Casale  
 2007/0185449 A1 8/2007 Mernoe  
 2008/0217353 A1 9/2008 Newman et al.  
 2009/0194557 A1 8/2009 Van Deursen  
 2009/9194557 8/2009 Van Deursen  
 2011/0233229 A1 \* 9/2011 Schekalla ..... B65D 83/0829  
 221/270  
 2011/0315706 A1 12/2011 Lockwood et al.  
 2012/0006844 A1 1/2012 Kobayashi  
 2012/0024881 A1 2/2012 Papaloizou et al.  
 2013/0126550 A1 \* 5/2013 Schneider ..... B65D 83/10  
 221/270  
 2013/0291955 A1 11/2013 Laible  
 2014/0034665 A1 2/2014 Walter  
 2015/0114997 A1 4/2015 Uldry et al.  
 2016/0016778 A1 1/2016 Taylor  
 2016/0242765 A1 8/2016 George et al.  
 2016/0304269 A1 10/2016 Erdmann

FOREIGN PATENT DOCUMENTS

CA 127047 S 7/2009  
 CA 2713708 A1 8/2009  
 CN 101970312 A 2/2011  
 DE 815829 C 10/1951

(56)

References Cited

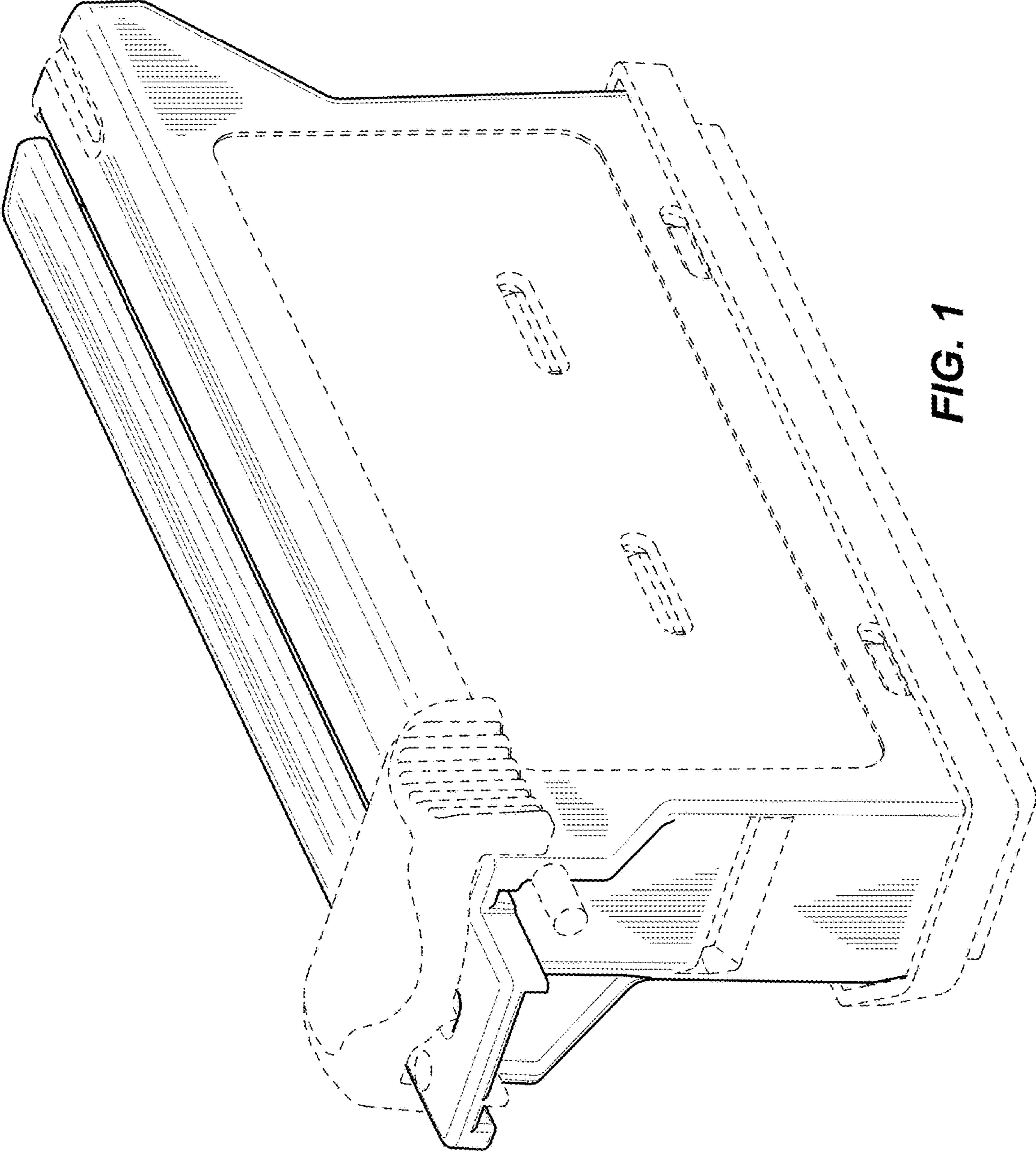
FOREIGN PATENT DOCUMENTS

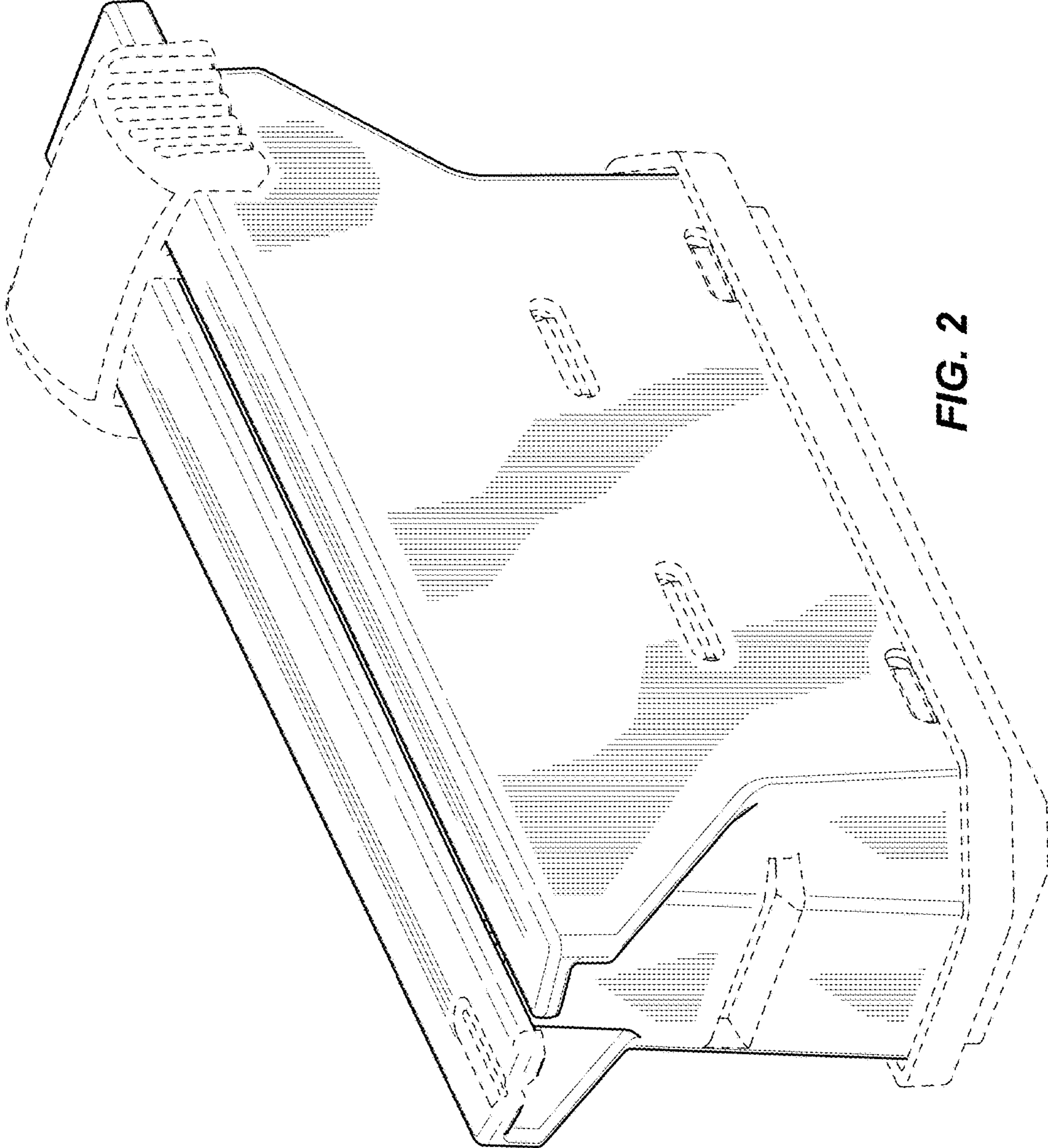
DE	4117356	A1	12/1992
EM	000977582-0001		7/2008
EM	000977590-0001		7/2008
EM	000977632-0001		7/2008
EM	002454512-0001		4/2014
EP	1731447	A1	12/2006
EP	2240388	A1	10/2010
EP	2301861	A2	3/2011
EP	3066031	A1	9/2016
FR	2460643	A1	1/1981
FR	2723725	A1	2/1996
GB	2033344	A	5/1980
GB	2504852	A	2/2014
HK	1146538		6/2011
JP	200062869		2/2000
JP	D1112607	S	6/2001
JP	D1142823	S	6/2002
MX	2010008445	A	1/2011
TW	135653		6/1990
TW	462608		11/2001
TW	D130181		8/2009
TW	D130182		8/2009
TW	D130397		8/2009
WO	2009097521	A1	8/2009
WO	2015069992		5/2015

OTHER PUBLICATIONS

Taiwanese Search Report issued in Taiwanese Design Application No. 097304388. dated Mar. 30, 2009 English Translation provided. International Search Report issued in International Patent Application No. PCT/US2009/032631, dated Mar. 13, 2009. European Search Report issued in European Patent Application No. 09705689.9. Imedger retrieved from <http://www.imedger.com/page/framedger.html>, retrieved Feb. 5, 2008. Red Personna Precision 'Zipak' Dispenser and Razor Blades retrived from [http://cgi.ebay.com/RED-PERSONNA-PRECISION-ZIPAK-DISPENSER-RAZOR-BLADES\\_W0QQitemZ110161800345QQihZ001QQcategoryZ35989QQrdZ1QQssPageNameZWD1VQQtrksidZp1638.m118.11247QQcmdZViewItem](http://cgi.ebay.com/RED-PERSONNA-PRECISION-ZIPAK-DISPENSER-RAZOR-BLADES_W0QQitemZ110161800345QQihZ001QQcategoryZ35989QQrdZ1QQssPageNameZWD1VQQtrksidZp1638.m118.11247QQcmdZViewItem). Retrieved Feb. 11, 2008. Sectioning and Microtomy Supplies, retrieved Feb. 5, 2008 from <http://www.aname.es/microscopia/ems/histology/sectioning.html>. <http://packandseal.com/CuttersRazor.html>, retrieved Feb. 11, 2008. <http://www.tool-up.co.uk/shop/diy/STA028510.html>, retrieved Feb. 11, 2008. [http://www.artistcraft.com/Tools/Cups\\_Cutting\\_Caulking\\_Equip/193](http://www.artistcraft.com/Tools/Cups_Cutting_Caulking_Equip/193), retrieved Feb. 11, 2008. International Search Report issued in related co-pending PCT/US2016/67000 dated Mar. 11, 2017. Office Action issued in related European Patent Application No. 14 806 127 dated Jun. 9, 2017.

\* cited by examiner





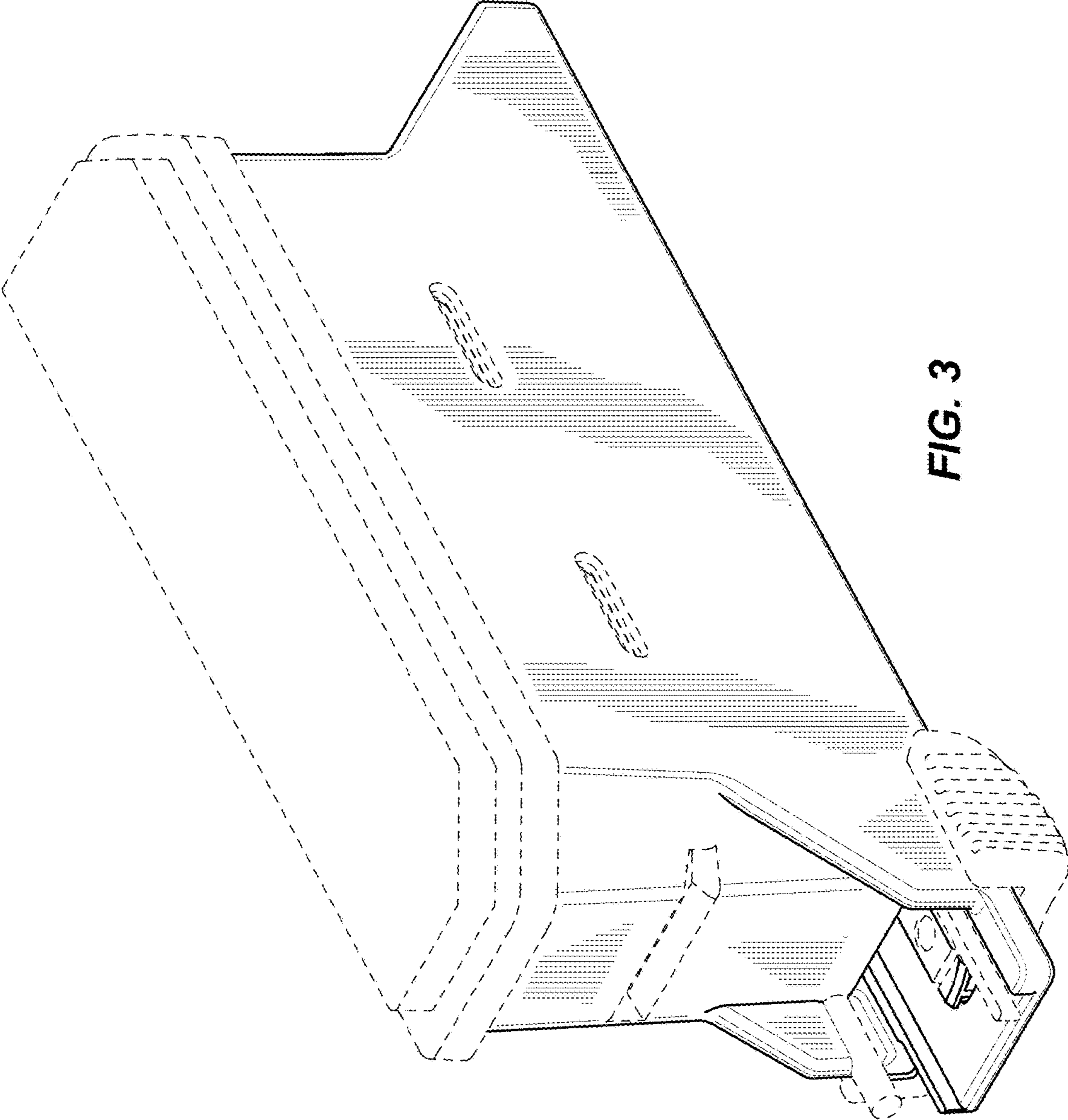
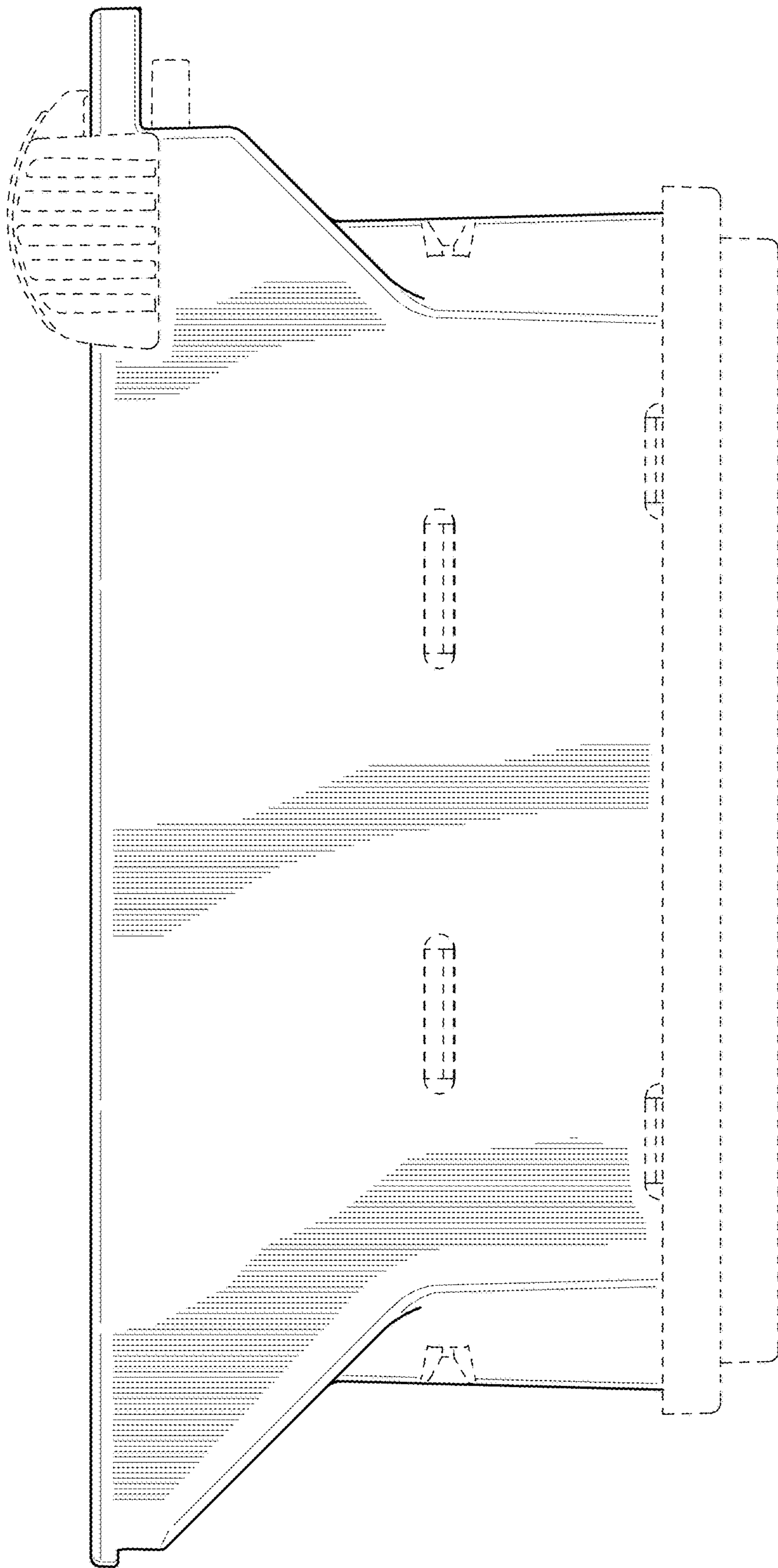


FIG. 3



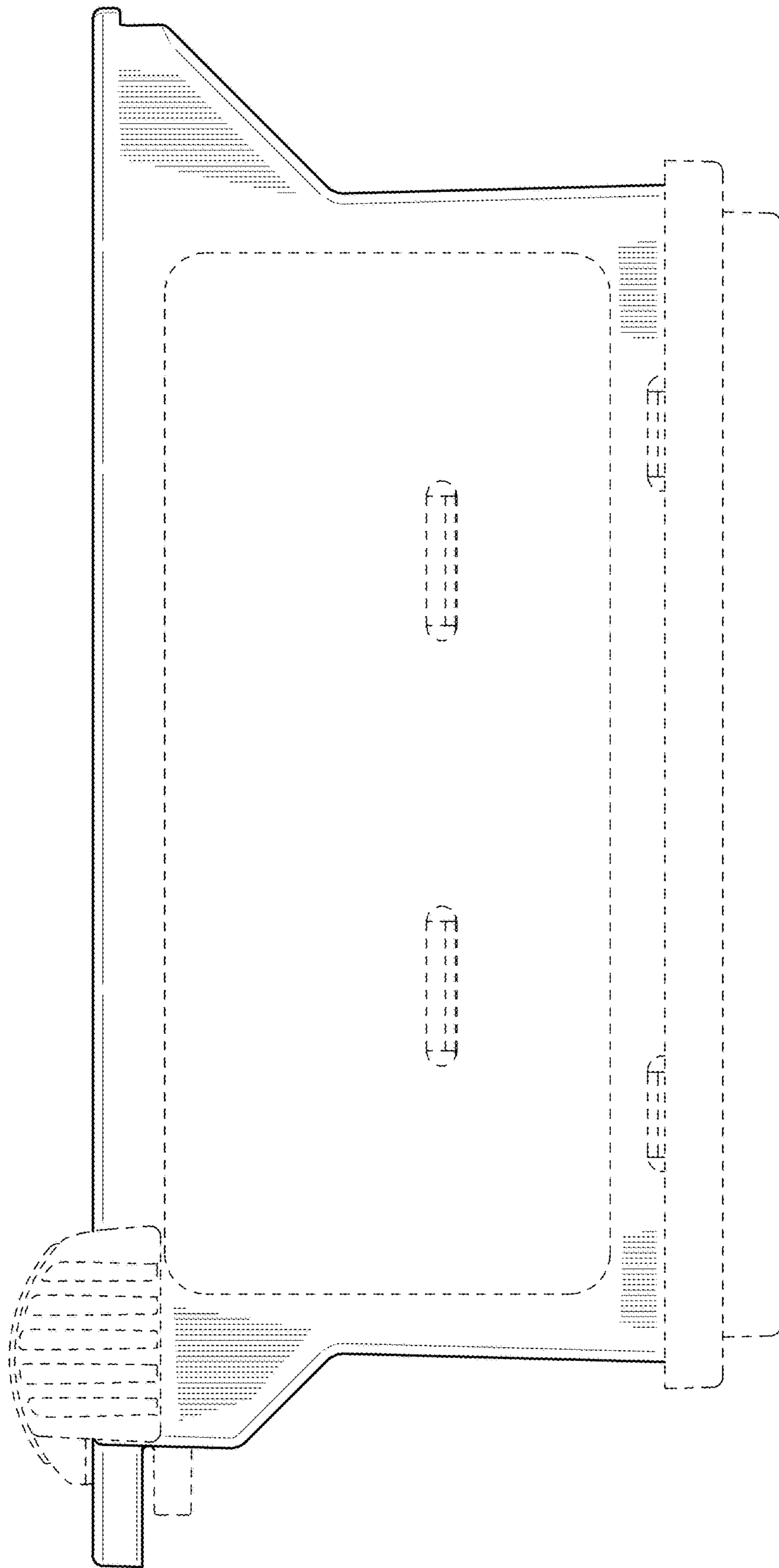


FIG. 5



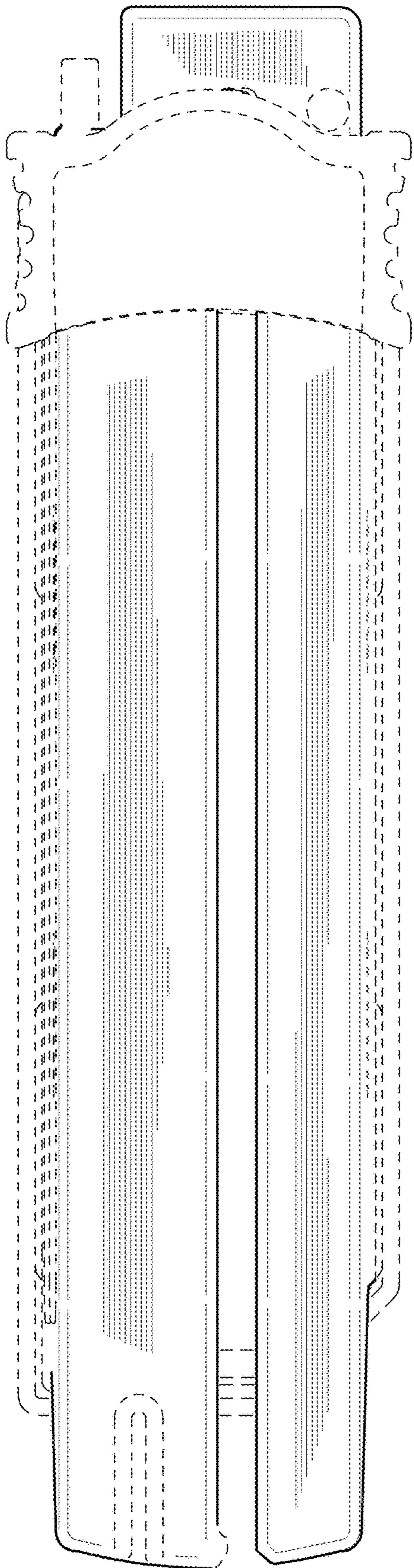


FIG. 6

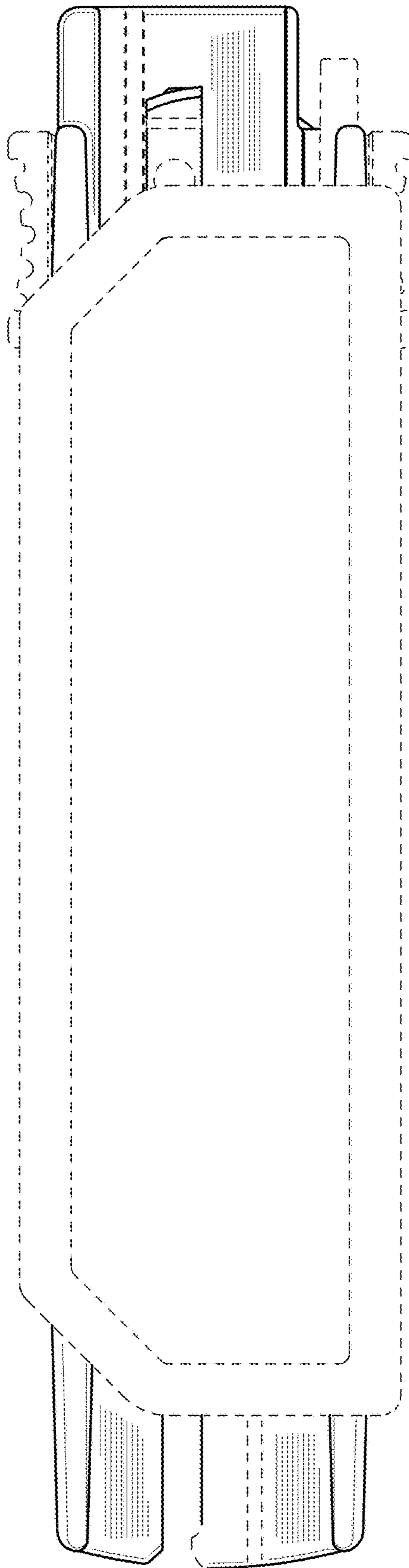
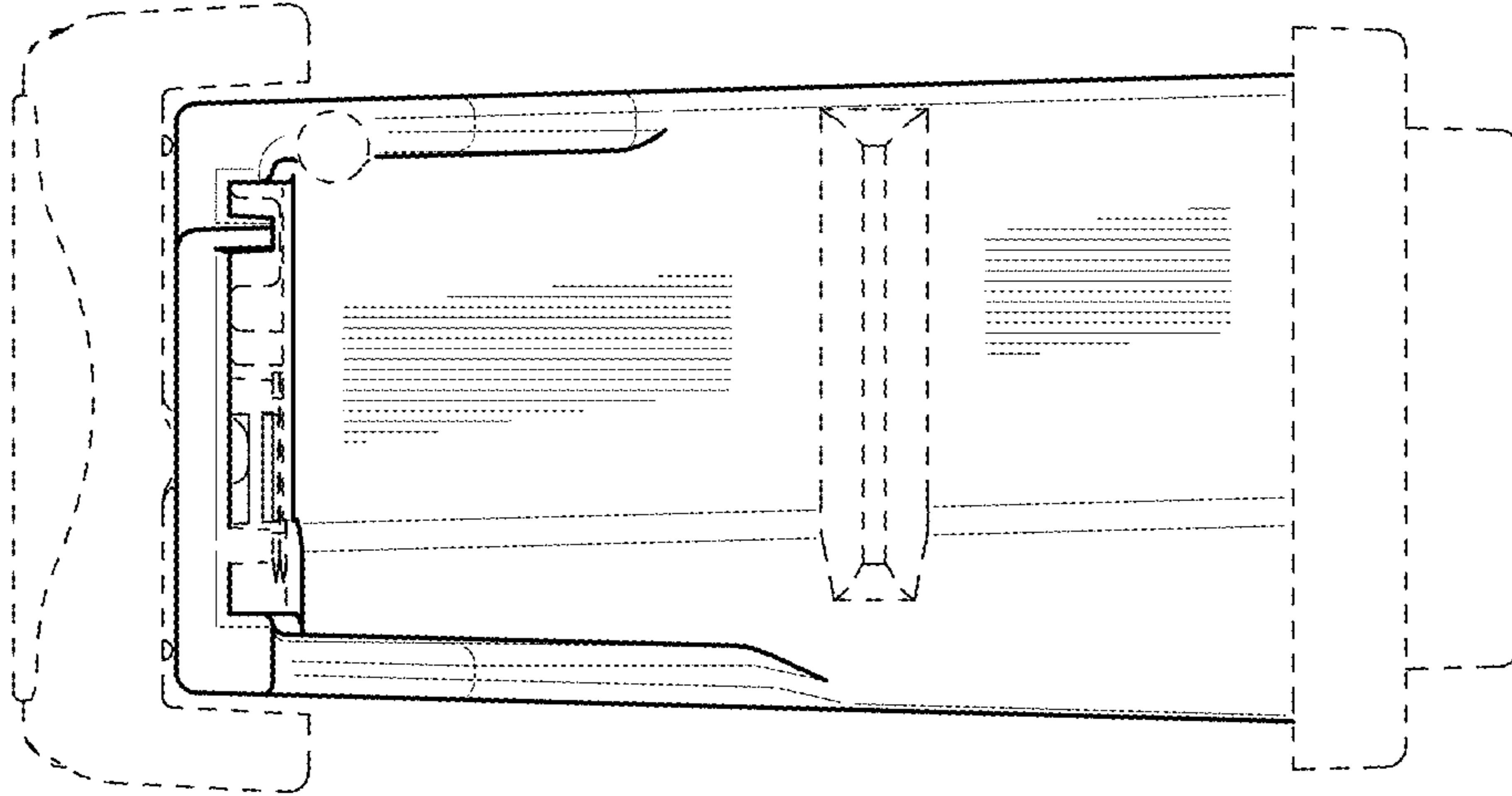
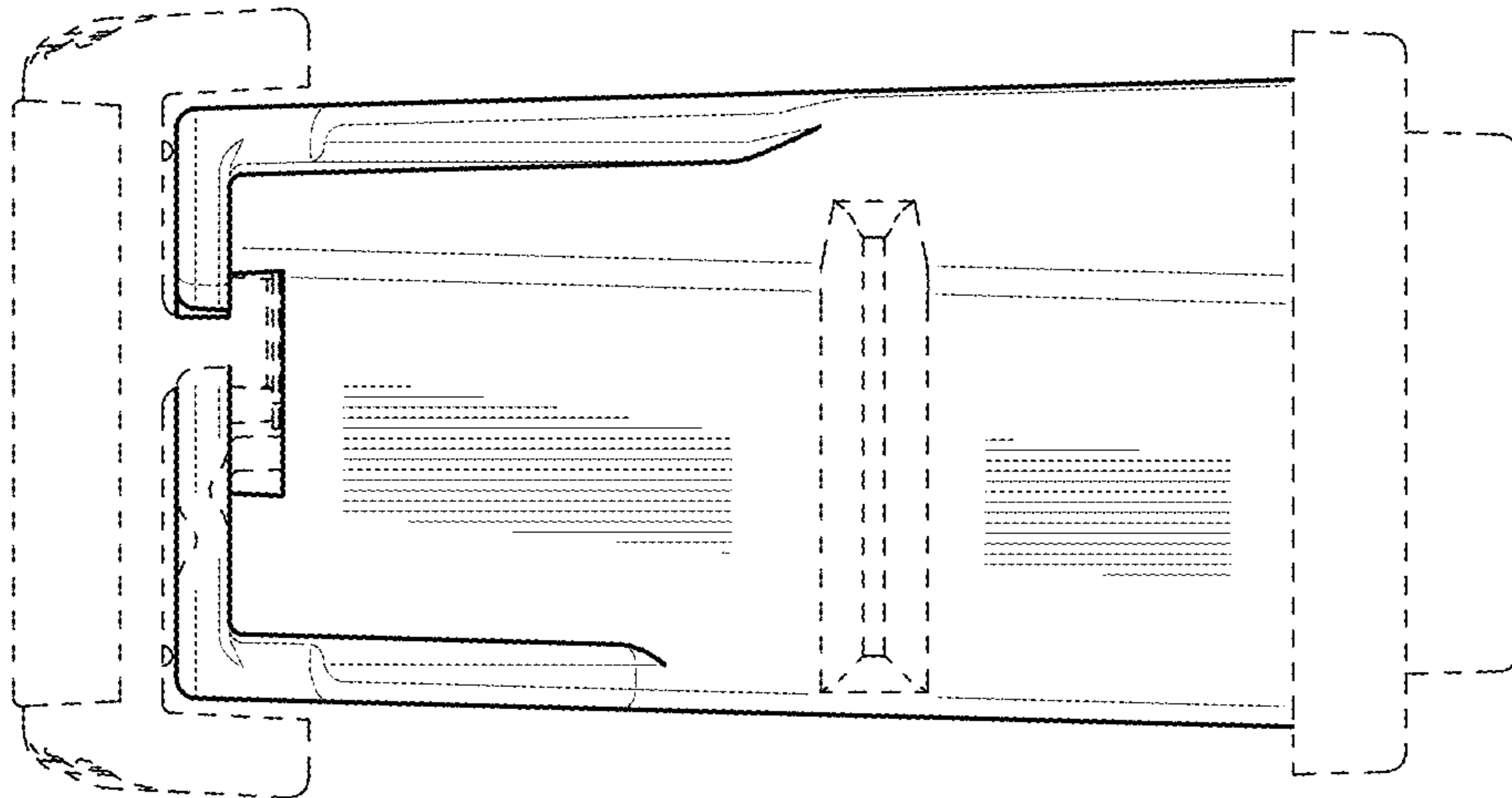


FIG. 7



**FIG. 9**



**FIG. 8**