



US00D832114S

(12) **United States Design Patent** (10) **Patent No.:** **US D832,114 S**
Totani (45) **Date of Patent:** **** Oct. 30, 2018**

(54) **SPOUTED POUCH**

(56) **References Cited**

(71) Applicant: **TOTANI CORPORATION**,
Kyoto-Shi, Kyoto (JP)

(72) Inventor: **Mikio Totani**, Tokyo (JP)

(73) Assignee: **TOTANI CORPORATION**, Kyoto-shi
(JP)

(**) Term: **15 Years**

(21) Appl. No.: **29/624,302**

(22) Filed: **Oct. 31, 2017**

U.S. PATENT DOCUMENTS

D344,015 S 2/1994 Jacobson
D344,016 S 2/1994 Jacobson
(Continued)

FOREIGN PATENT DOCUMENTS

EM 001239750-0010 10/2010
JP D1064028 A 3/2000
(Continued)

OTHER PUBLICATIONS

Packaging Digest, vol. 4, No. 41, p. 36 (no data) (Cited in parent
U.S. Appl. No. 29/574,608, filed Aug. 17, 2016).
(Continued)

Related U.S. Application Data

(62) Division of application No. 29/574,608, filed on Aug.
17, 2016, now Pat. No. Des. 808,820.

Primary Examiner — Abraham Bahta
(74) *Attorney, Agent, or Firm* — Westerman, Hattori,
Daniels & Adrian, LLP

(30) **Foreign Application Priority Data**

Feb. 17, 2016 (JP) 2016-003325
Feb. 17, 2016 (JP) 2016-003326
Feb. 17, 2016 (JP) 2016-003327
Feb. 17, 2016 (JP) 2016-003331
Feb. 17, 2016 (JP) 2016-003333
Feb. 17, 2016 (JP) 2016-003334
Feb. 17, 2016 (JP) 2016-003335

(Continued)

(51) **LOC (11) Cl.** **09-05**

(52) **U.S. Cl.**
USPC **D9/703**

(58) **Field of Classification Search**
USPC D9/702-714, 719, 738-740, 517-518,
D9/522, 416, 435, 444, 460, 455, 414,

(Continued)

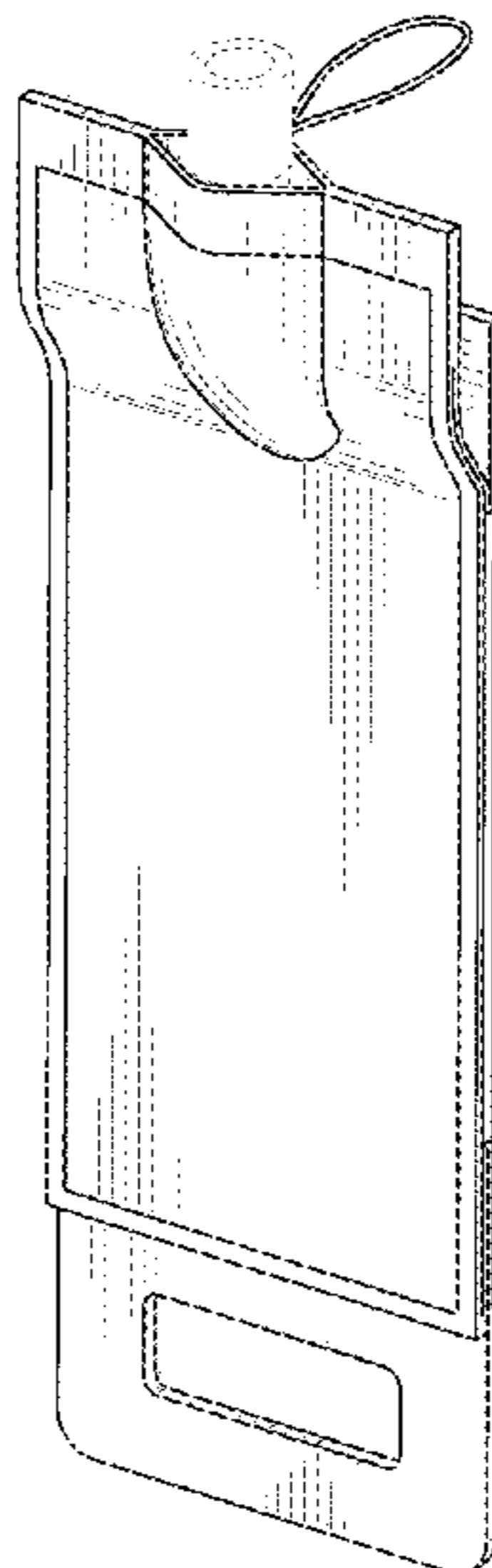
(57) **CLAIM**

The ornamental design for a spouted pouch, as shown and
described.

DESCRIPTION

FIG. 1 is an isometric view of a spouted pouch showing my
new design, showing the top, front, and right side thereof.
FIG. 2 is a front elevational view thereof.
FIG. 3 is a rear elevational view thereof.
FIG. 4 is a right side elevational view thereof.
FIG. 5 is a left side elevational view thereof.
FIG. 6 is a top plan view thereof.
FIG. 7 is a bottom plan view thereof; and,
FIG. 8 is an isometric view thereof, showing the spouted
pouch in use in an expanded condition.
The broken line portions of the design are included to show
unclaimed portions and form no part of the claim.

1 Claim, 4 Drawing Sheets



(30) Foreign Application Priority Data

Feb. 17, 2016 (JP) 2016-003336
 Feb. 17, 2016 (JP) 2016-003340

(58) Field of Classification Search

USPC D9/499, 431-432; D7/560-562;
 206/434, 426-427, 429-430, 485, 485.1,
 206/499, 508, 431, 418-422, 588-594,
 206/286, 299; 229/117.3, 185, 121, 122,
 229/200, 207, 236, 87.01, 923, 922,
 229/87.19, 87.18; 220/23.83;
 383/118-120, 110, 108, 127, 83, 6, 26,
 383/33, 78, 88; D3/303-307, 221, 226,
 D3/232, 276, 315; 150/100, 107, 112,
 150/118
 CPC A45C 3/00; A45C 3/04; A45C 3/06; A45C
 3/001; A45C 3/10; B65D 33/004; B65D
 33/00; B65D 33/06; B65D 33/12; B65D
 1/00; B65D 1/38; B65D 1/40; B65D
 29/00; B65D 29/04; B65D 31/00; B65D
 31/005; B65D 31/10; B65D 31/02; B65D
 31/04; B65D 31/18; B65D 65/00; B65D
 65/02; B65D 65/38; B65D 81/00; B65D
 81/36

See application file for complete search history.

(56) References Cited

U.S. PATENT DOCUMENTS

D764,941 S	8/2016	Balganon Canela et al.	
D784,521 S *	4/2017	Nordquist	D24/118
D786,697 S	5/2017	Dytchkowskyj	
D808,820 S	1/2018	Totani	
D814,941 S	4/2018	Conrardy	

FOREIGN PATENT DOCUMENTS

JP	2000-153849 A	6/2000
JP	2009-208836 A	9/2009
JP	D1552632 S	6/2016
KR	1540 S	6/1997

OTHER PUBLICATIONS

Emballages, vol. 965, p. 147 (Nov. 2014) (Cited in parent U.S. Appl. No. 29/574,608, filed Aug. 17, 2016).
 Notice of Allowance dated May 11, 2018, issued in U.S. Appl. No. 29/624,284 (14 pages).
 Notice of Allowance dated Apr. 26, 2018, issued in U.S. Appl. No. 29/624,277 (10 pages).
 Notice of Allowance dated Apr. 26, 2018, issued in U.S. Appl. No. 29/624,282, (10 pages).

* cited by examiner



FIG. 1

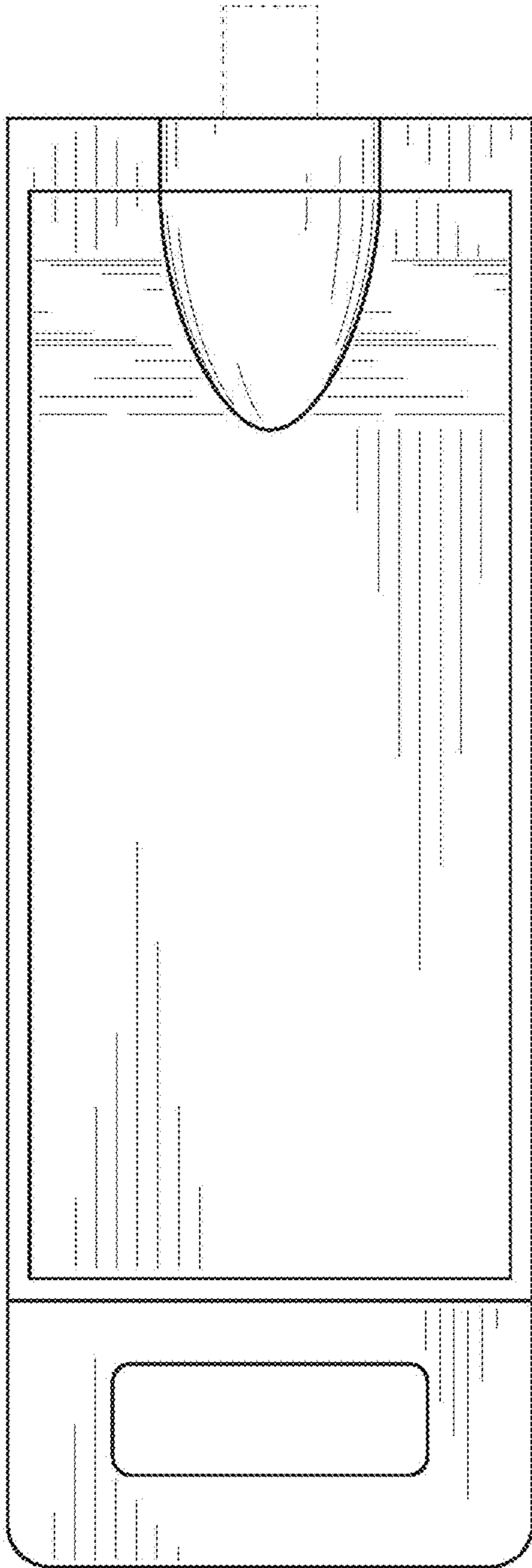


FIG. 2

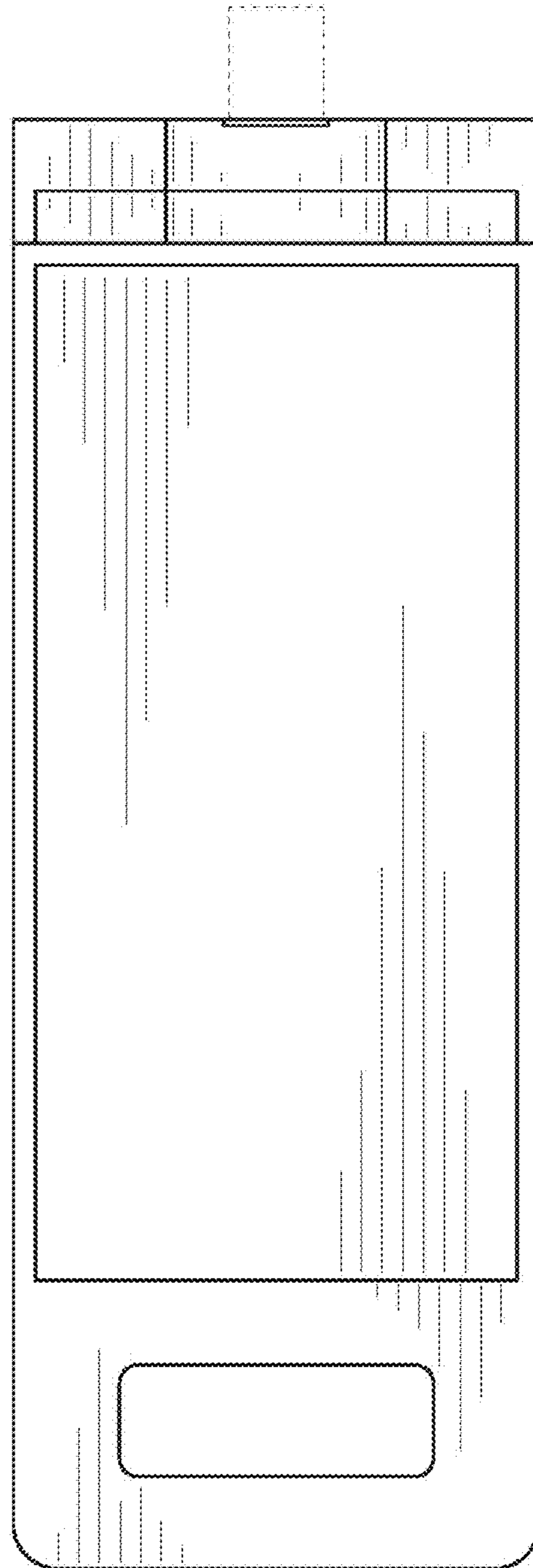


FIG. 3

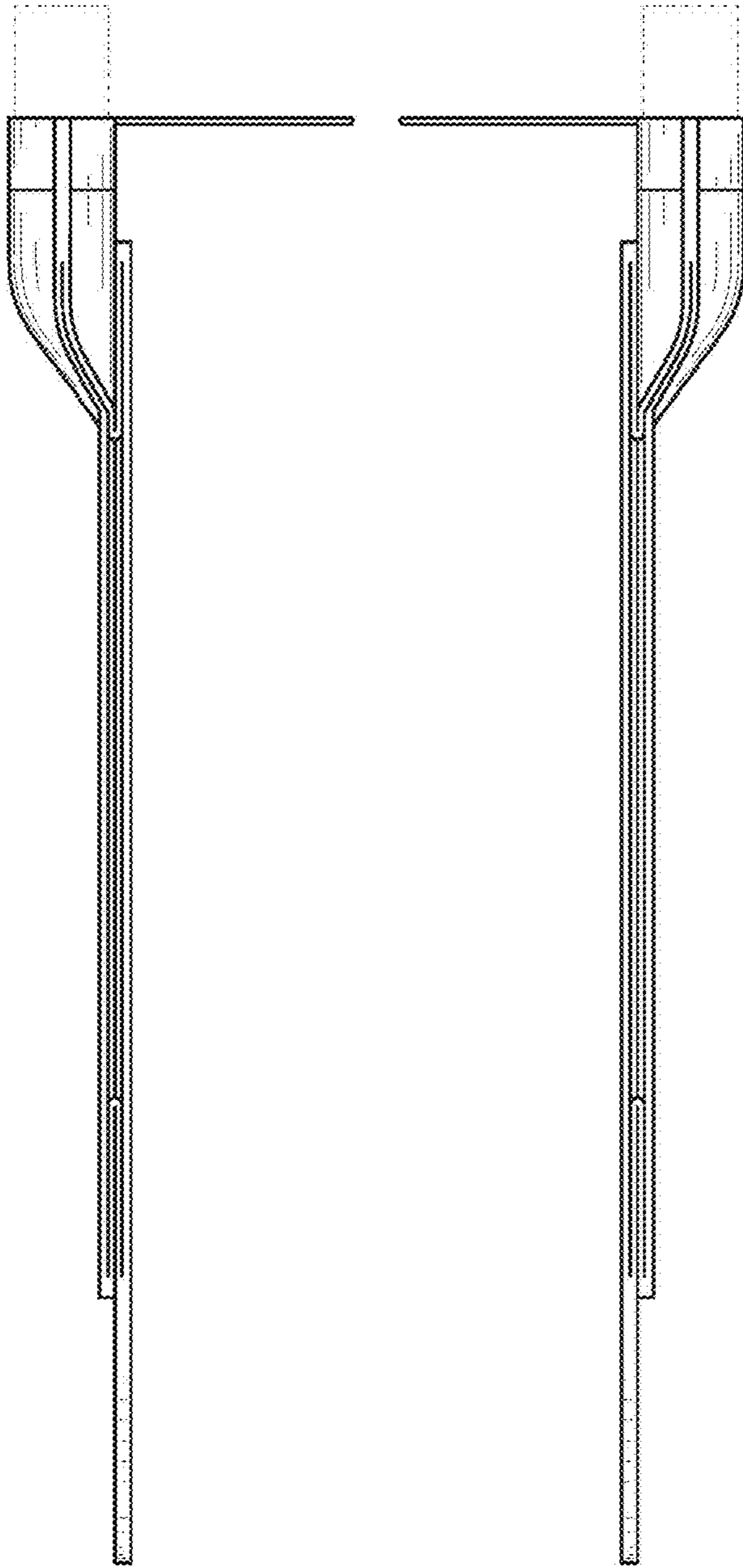


FIG. 4

FIG. 5

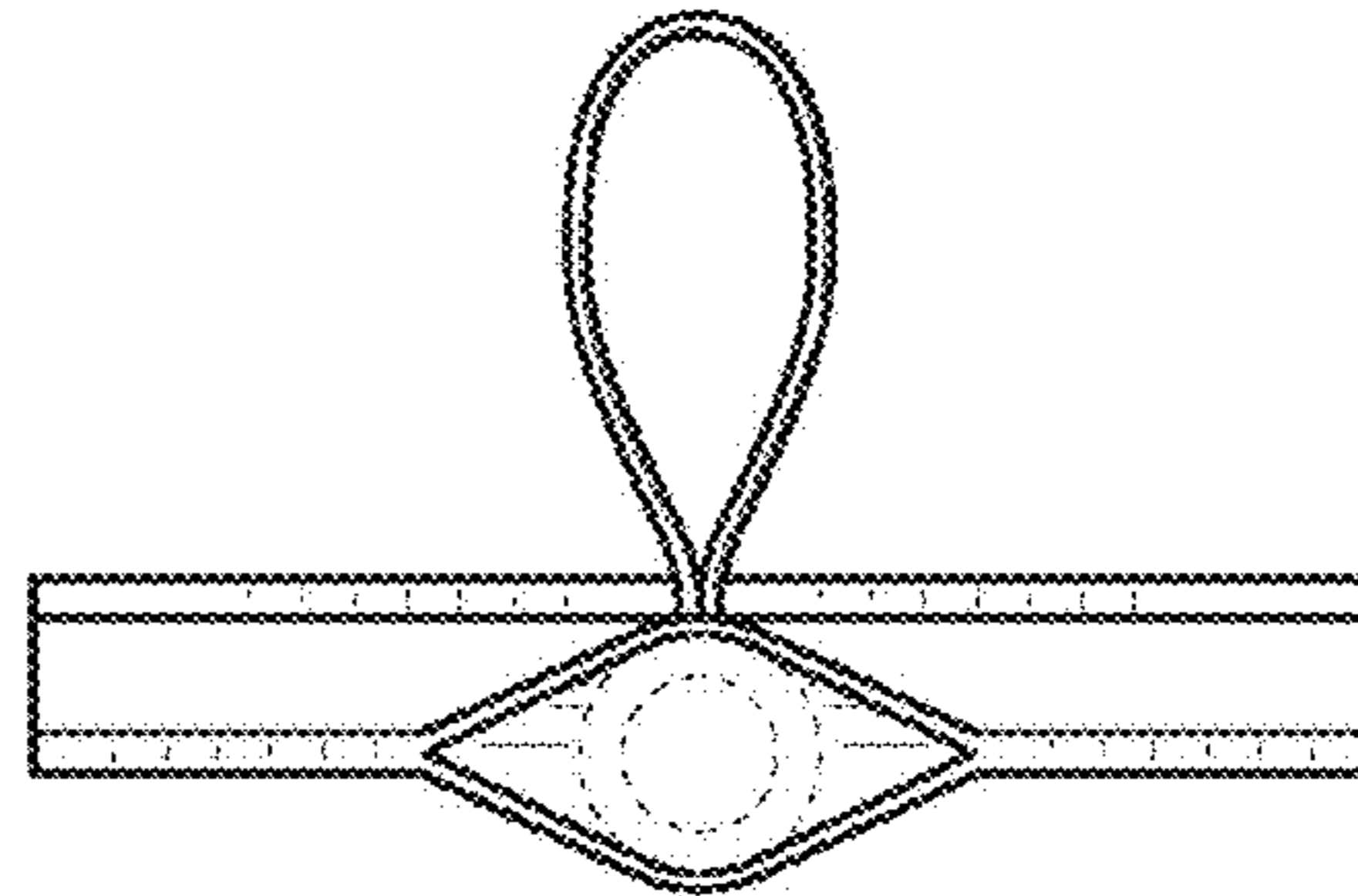


FIG. 6

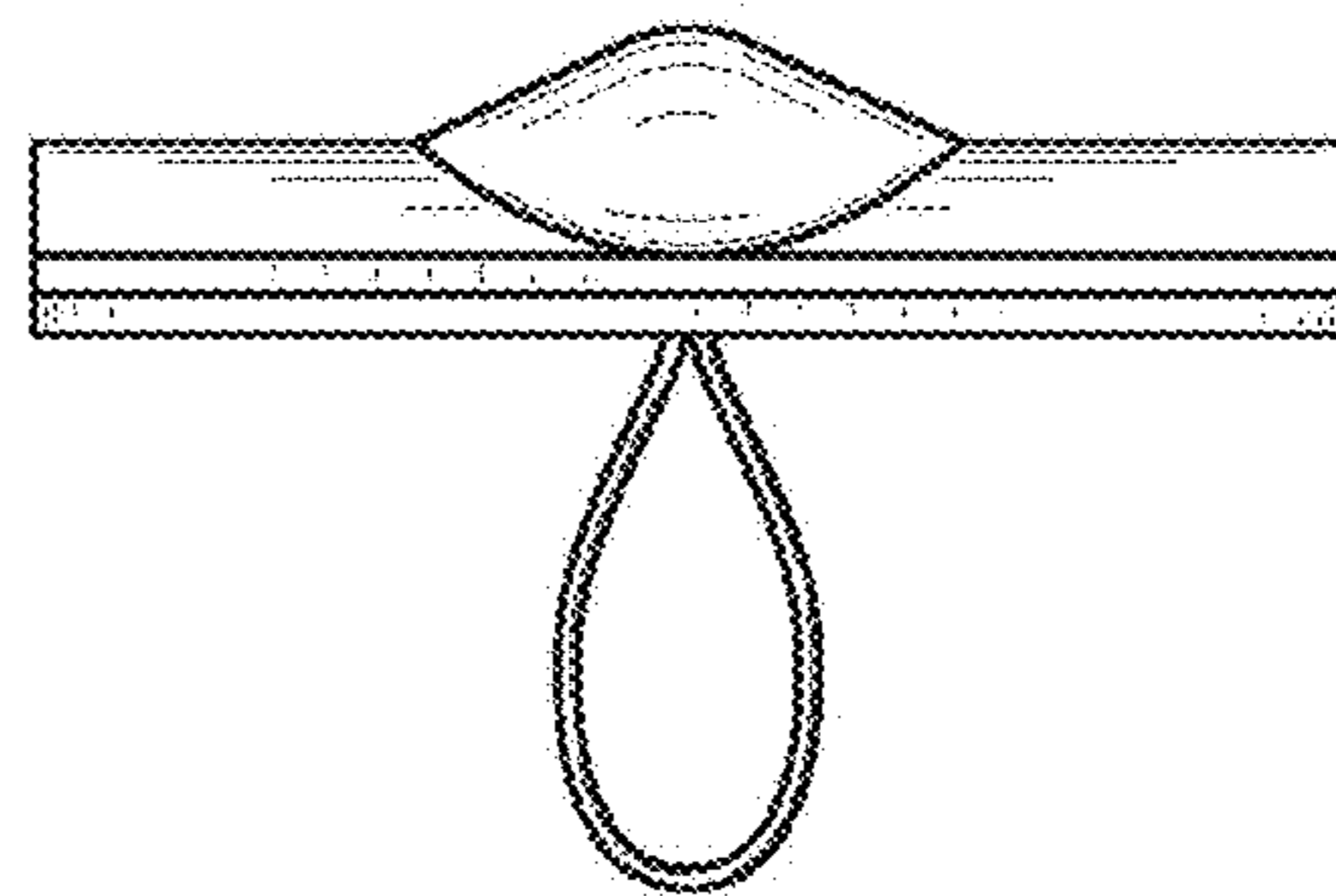


FIG. 7

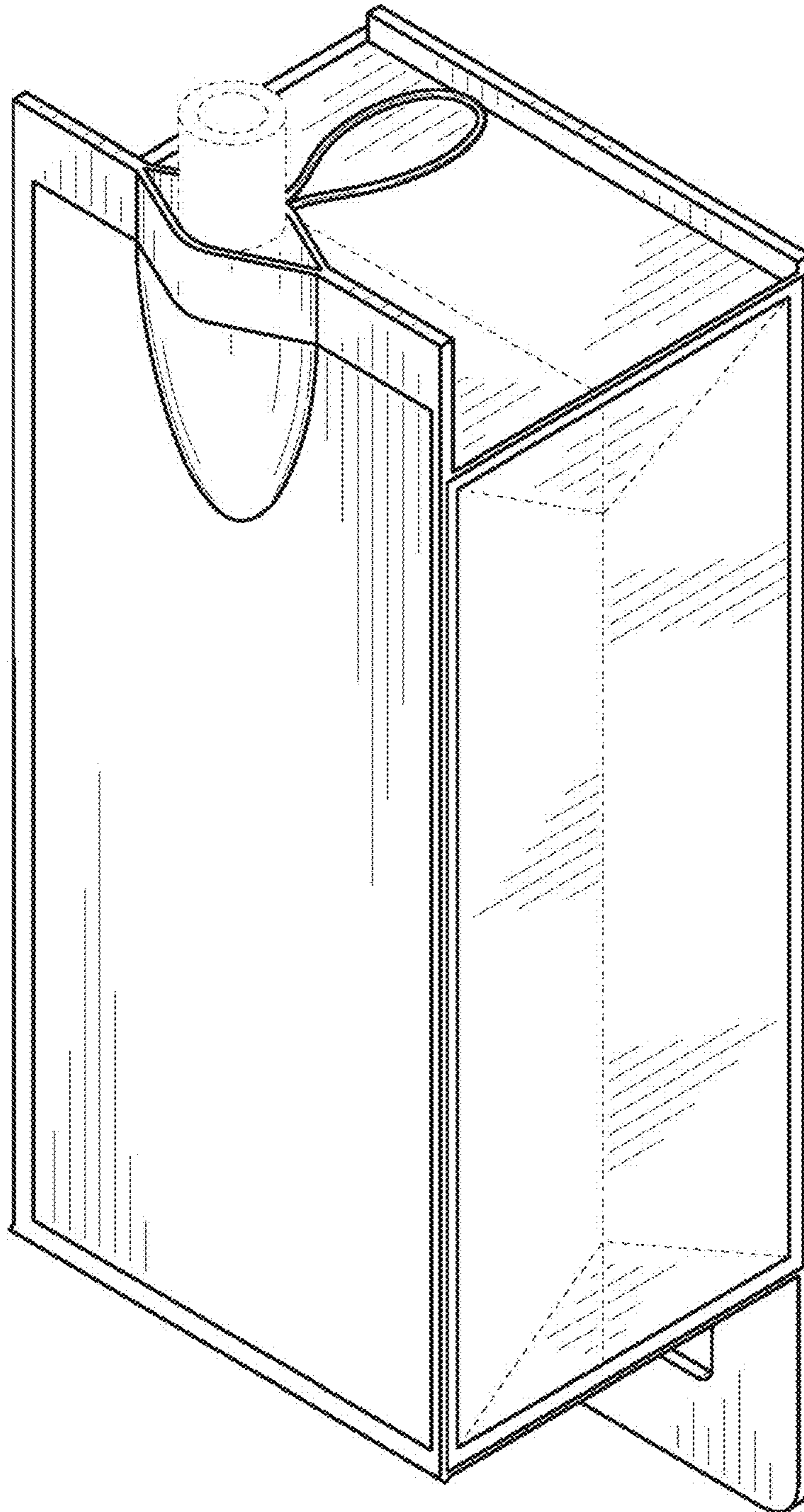


FIG. 8