



US00D832113S

(12) **United States Design Patent** (10) **Patent No.:** **US D832,113 S**
Rucker (45) **Date of Patent:** **** Oct. 30, 2018**

(54) **BAG FOR HERBAL PRODUCTS**
(71) Applicant: **Simon Rucker**, London (GB)
(72) Inventor: **Simon Rucker**, London (GB)
(**) Term: **15 Years**
(21) Appl. No.: **29/604,952**
(22) Filed: **May 22, 2017**

(30) **Foreign Application Priority Data**
Nov. 22, 2016 (GB) 6003289
(51) **LOC (11) Cl.** **09-05**
(52) **U.S. Cl.**
USPC **D9/703**
(58) **Field of Classification Search**
USPC D9/702-714, 720-722, 416-417,
D9/695-696; D24/118-119, 207;
383/200, 207, 38, 208-209, 63, 61.1, 113;
229/87.06, 87.03, 87.08; 426/106, 115,
426/119-120, 122, 410; 222/94, 107,
222/541.1, 92, 541.2; 206/811, 229, 484;
219/727
CPC B65D 65/18; B65D 65/02; B65D 65/10;
B65D 65/38; B65D 83/12; B65D 83/00;
B65D 31/00; B65D 31/02; B65D 31/04;
B65D 33/00; B65D 81/00; B65D 81/34;
B65D 81/36

See application file for complete search history.

(56) **References Cited**
U.S. PATENT DOCUMENTS
D394,605 S * 5/1998 Skiba D9/709
D630,522 S * 1/2011 Harvey D9/707
D643,745 S * 8/2011 Hartley D9/707
D675,937 S * 2/2013 Stern D9/707
D688,567 S * 8/2013 Stronski D9/709
D740,132 S * 10/2015 LeStage D9/703
D747,975 S * 1/2016 Gillespie D9/707
D773,313 S * 12/2016 Singer D9/710
D777,569 S * 1/2017 Boekeloo D9/416

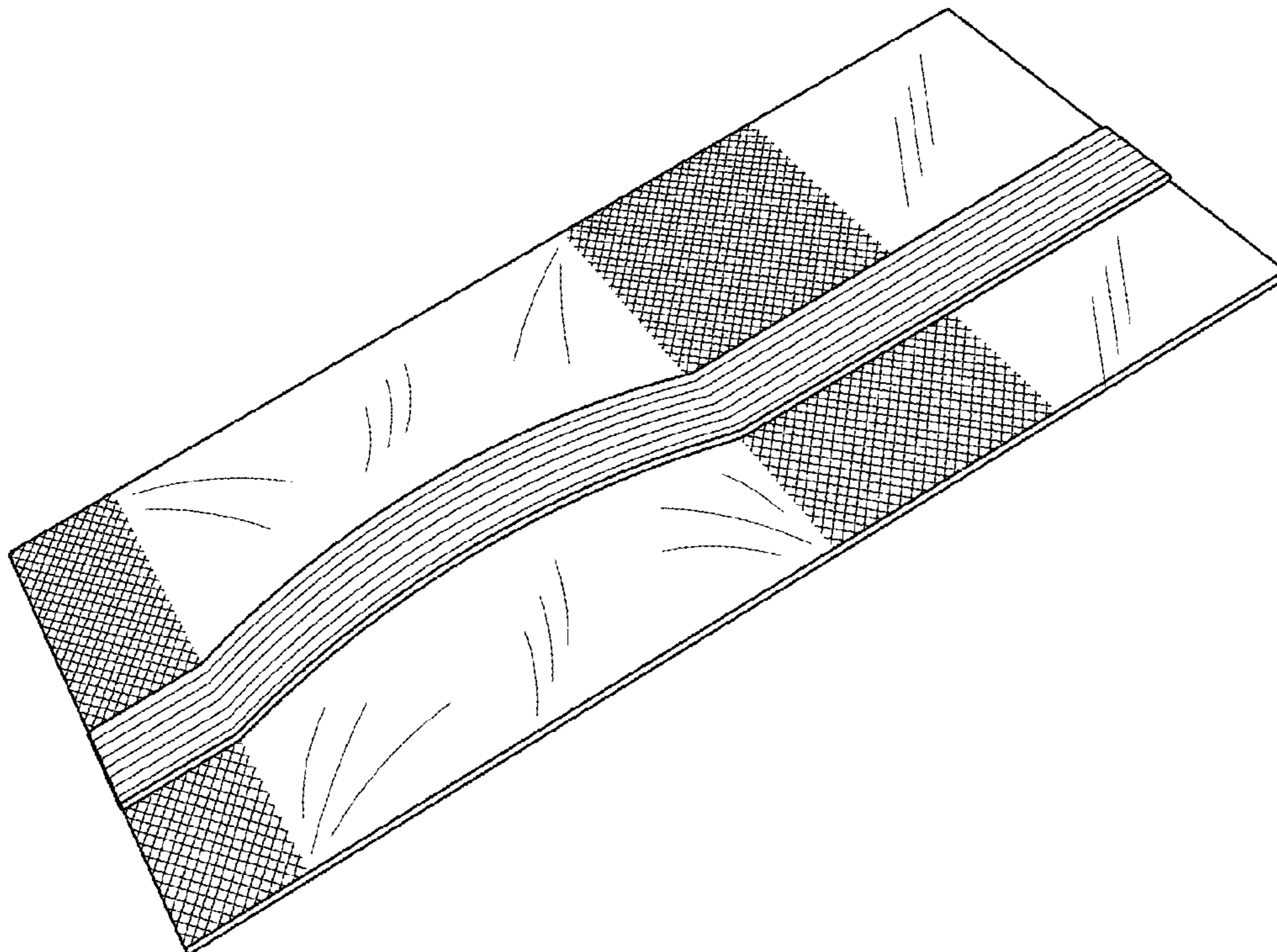
* cited by examiner

Primary Examiner — Abraham Bahta
(74) *Attorney, Agent, or Firm* — Levy & Grandinetti

(57) **CLAIM**
The ornamental design for a bag for herbal products, as shown and described.

DESCRIPTION
FIG. 1 is a rear perspective view of the bag for herbal products showing my new design;
FIG. 2 is a front perspective view thereof;
FIG. 3 is a rear side view thereof;
FIG. 4 is a front view thereof;
FIG. 5 is a right end view, the left end view being a mirror image thereof; and,
FIG. 6 is a right side view, the left side view being a mirror image thereof.

1 Claim, 6 Drawing Sheets



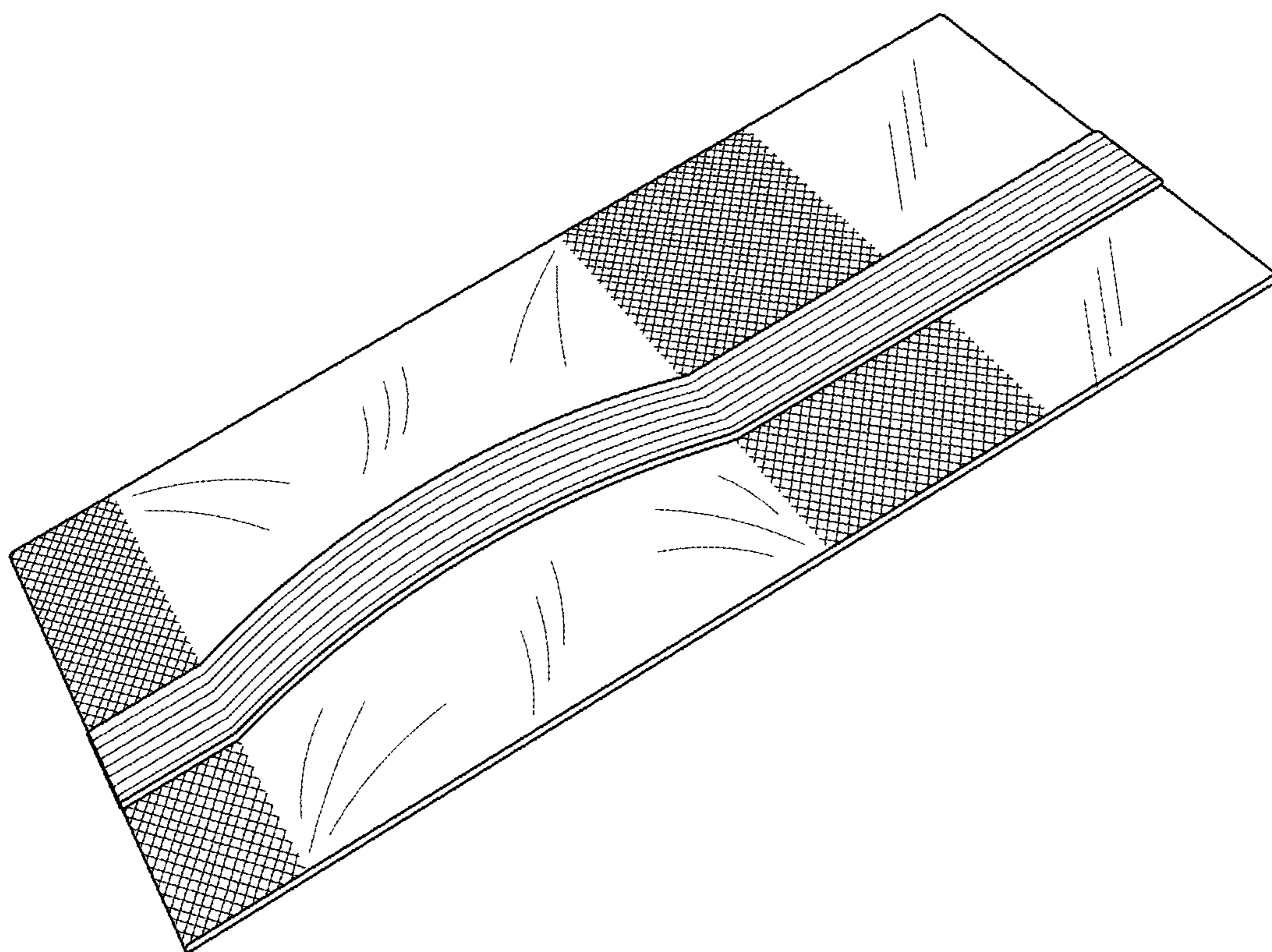


FIG. 1

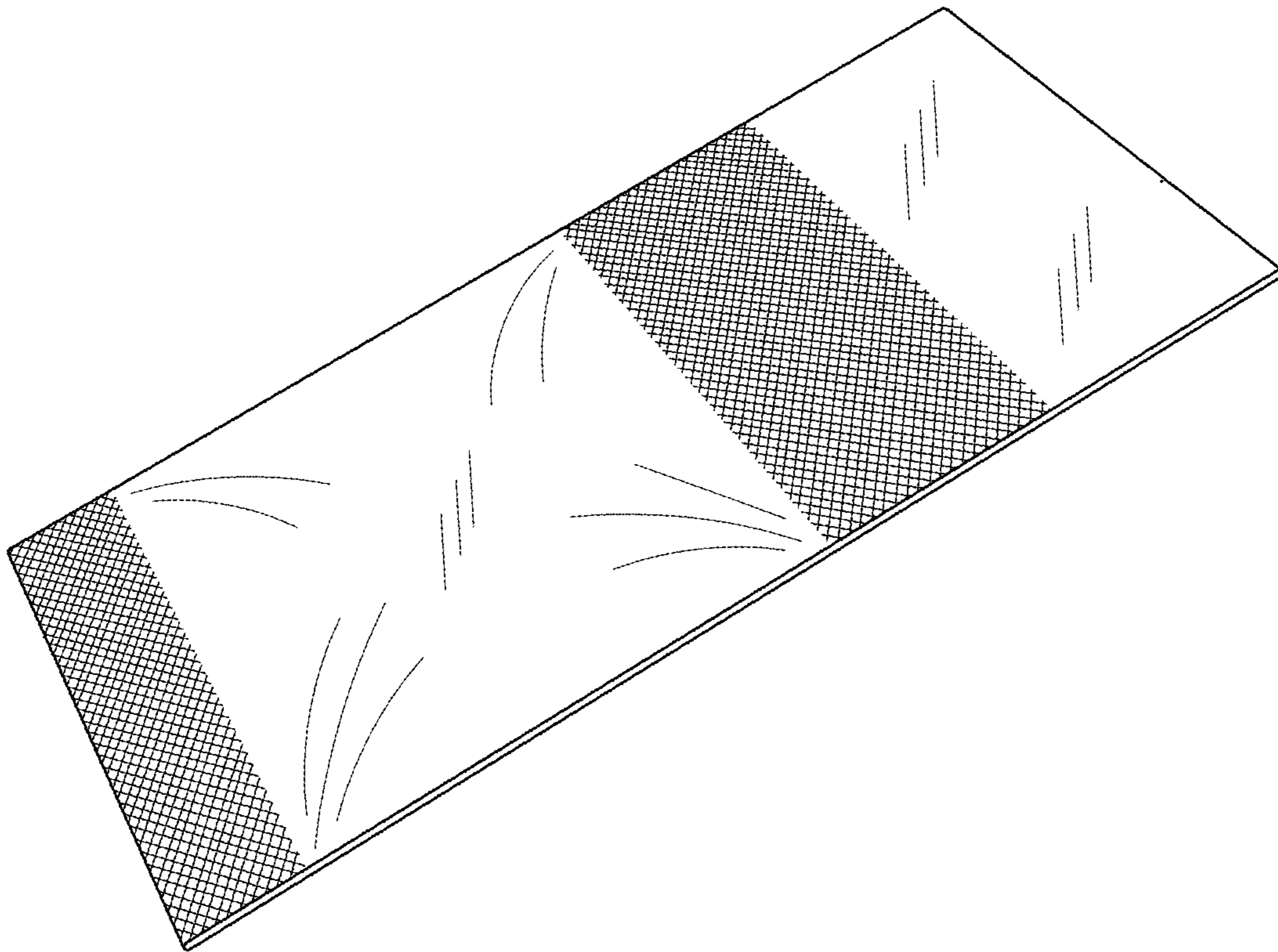


FIG. 2

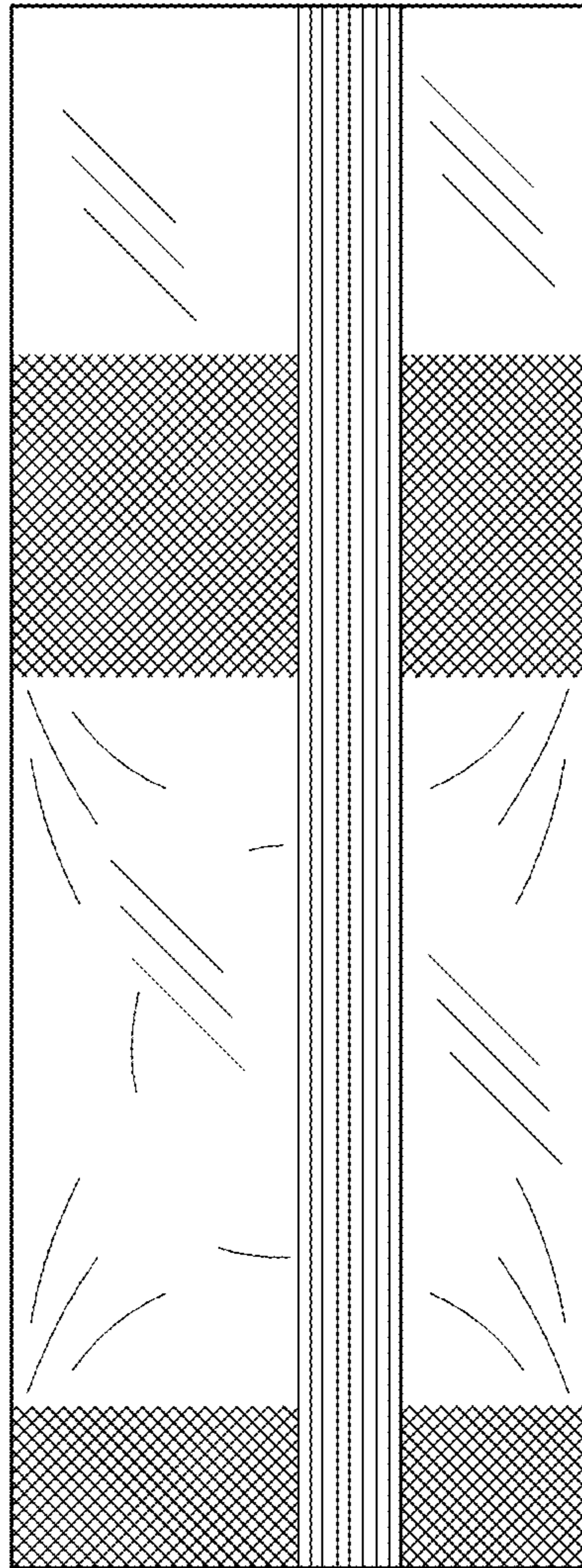


FIG. 3

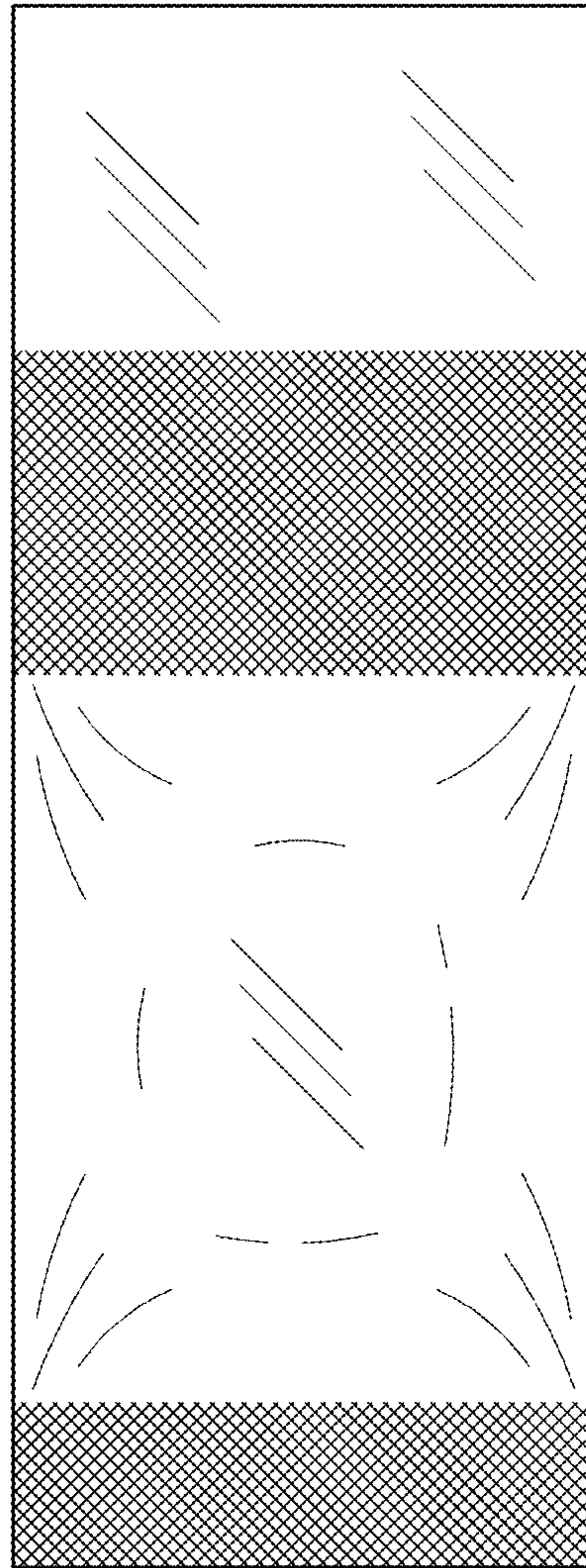


FIG. 4

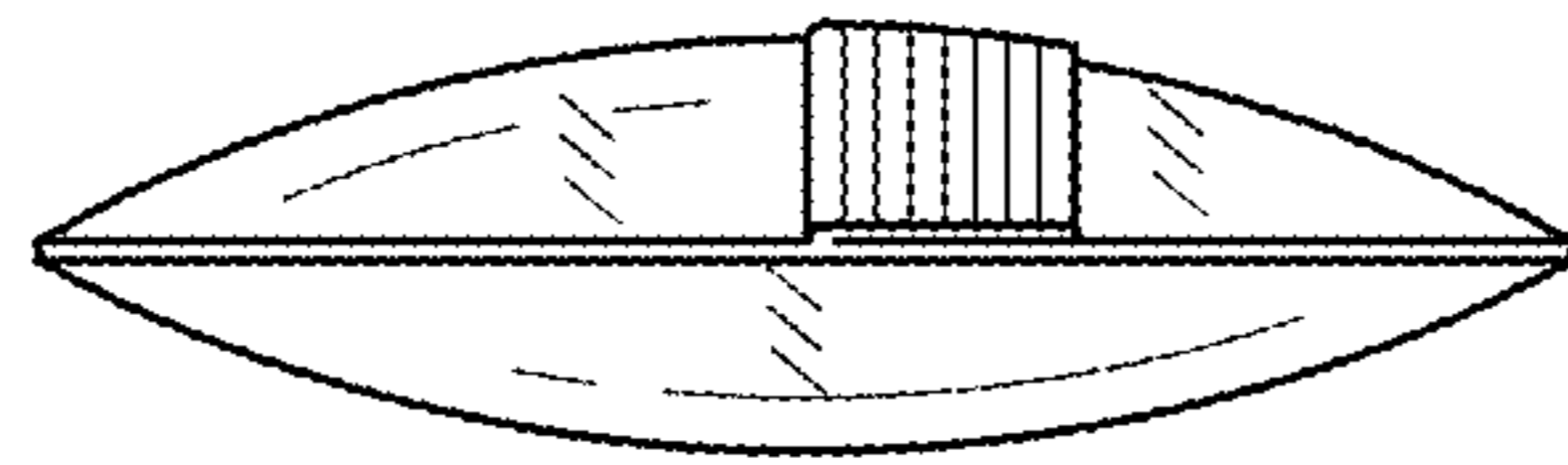


FIG. 5

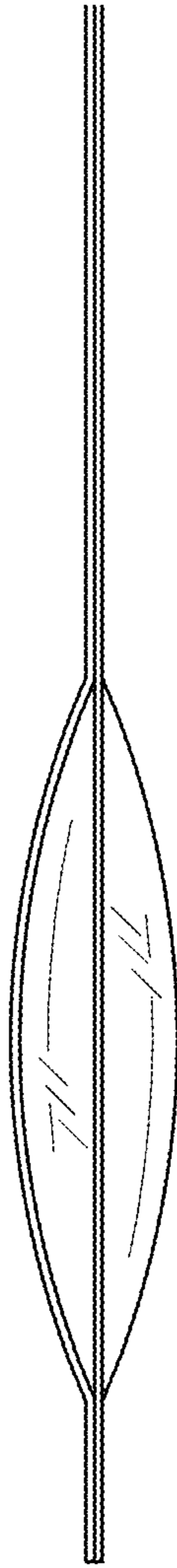


FIG. 6