



US00D832106S

(12) **United States Design Patent**
Deylamian et al.

(10) **Patent No.:** **US D832,106 S**
(45) **Date of Patent:** **** Oct. 30, 2018**

(54) **BOTTLE**

(71) Applicant: **OnMyWhey, LLC**, San Jose, CA (US)

(72) Inventors: **Farbod Deylamian**, New York, NY (US); **David Jacobsen**, San Diego, CA (US); **Kyle Lewis**, San Mateo, CA (US); **Kayvon Pourmirzaie**, San Jose, CA (US)

(73) Assignee: **OnMyWhey, LLC**, San Jose, CA (US)

(**) Term: **15 Years**

(21) Appl. No.: **29/636,091**

(22) Filed: **Feb. 6, 2018**

Related U.S. Application Data

(63) Continuation of application No. 29/587,298, filed on Dec. 12, 2016, which is a continuation of application No. 29/587,289, filed on Dec. 12, 2016.

(51) **LOC (11) Cl.** **09-01**

(52) **U.S. Cl.**
USPC **D9/516**; D9/443; D9/454; D8/356

(58) **Field of Classification Search**
USPC D9/434–436, 443, 454, 499, 500–504, D9/516, 529, 549, 558, 715, 719, 722, D9/741, 745–746; D3/203.1–203.2, D3/207–208, 212, 215; D7/391, 507, D7/590, 629–630
CPC B65D 1/00; B65D 1/02; B65D 1/0223; B65D 11/04; B65D 23/00; B65D 23/0003; B65D 51/24; B65D 2313/00; B65D 2501/00; B65D 2501/0009; B65D 2501/0072; A63B 29/02; Y10T 24/45346; Y10T 24/45435

See application file for complete search history.

(56) **References Cited**

U.S. PATENT DOCUMENTS

2,813,650 A * 11/1957 Takahashi B65D 41/185
215/305
3,212,663 A * 10/1965 Greenwell B65D 41/0442
215/352
D287,335 S * 12/1986 Anderson D24/117
D315,095 S * 3/1991 Wright D9/415
D433,336 S * 11/2000 Weber D9/538

(Continued)

Primary Examiner — Dana Meyrow

(74) *Attorney, Agent, or Firm* — Young Basile Hanlon & MacFarlane, P.C.

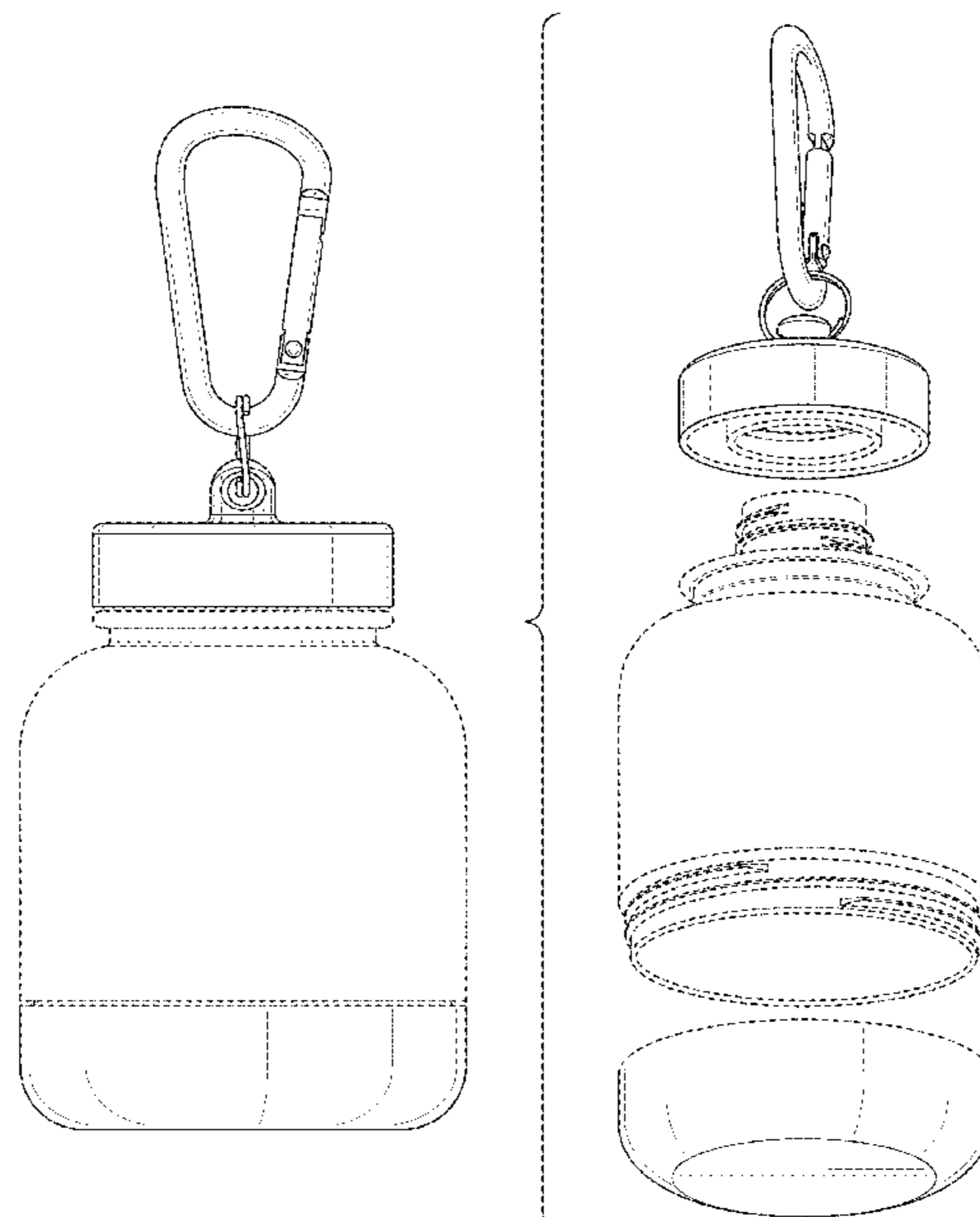
(57) **CLAIM**

The ornamental design for a bottle, as shown and described.

DESCRIPTION

FIG. 1 is a first perspective view of a bottle in accordance with the present invention.
FIG. 2 is a second perspective view thereof.
FIG. 3 is a front view thereof.
FIG. 4 is a back view thereof.
FIG. 5 is a left view thereof.
FIG. 6 is a right view thereof.
FIG. 7 is a top view thereof.
FIG. 8 is a bottom view thereof.
FIG. 9 is a first perspective exploded view thereof; and, FIG. 10 is a second perspective exploded view thereof.
The broken lines shown in the drawings are included for purposes of illustrating portions of the bottle that form no part of the claimed design.

1 Claim, 9 Drawing Sheets



(56)

References Cited

U.S. PATENT DOCUMENTS

D481,937	S *	11/2003	McRae	D9/443
D489,171	S *	5/2004	Jackson	D3/203.2
D606,447	S *	12/2009	West	D11/80
D618,906	S *	7/2010	Covington	D19/67
D653,116	S *	1/2012	McMahon	D9/542
D654,366	S *	2/2012	Presche	D9/504
D679,960	S *	4/2013	Hopkins	D7/629
D680,319	S *	4/2013	Lawrence	D3/207
D680,387	S *	4/2013	Hopkins	D7/629
D690,161	S *	9/2013	Garner	D7/510
D690,772	S *	10/2013	Kado	D20/19
D752,925	S *	4/2016	Lewis	D7/590
D759,480	S *	6/2016	Shugar	D9/436
D780,532	S *	3/2017	Seiders	D7/608
D785,455	S *	5/2017	James	D9/503
D807,177	S *	1/2018	Belinsky	D9/500
2008/0308518	A1 *	12/2008	Sprishen	B65D 50/043 215/40
2011/0309083	A1 *	12/2011	Hsiu-Tzu Charlene	A45D 34/00 220/505

* cited by examiner

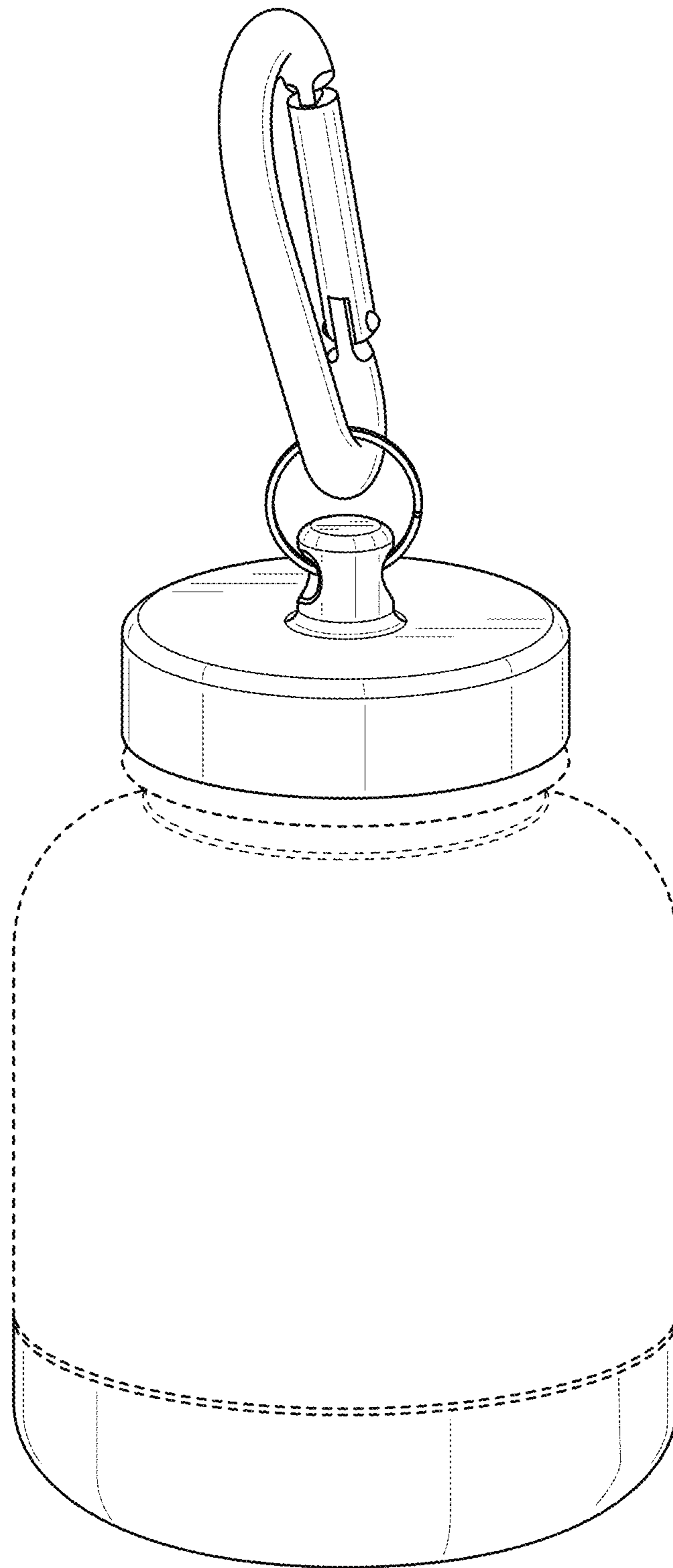


FIG. 1

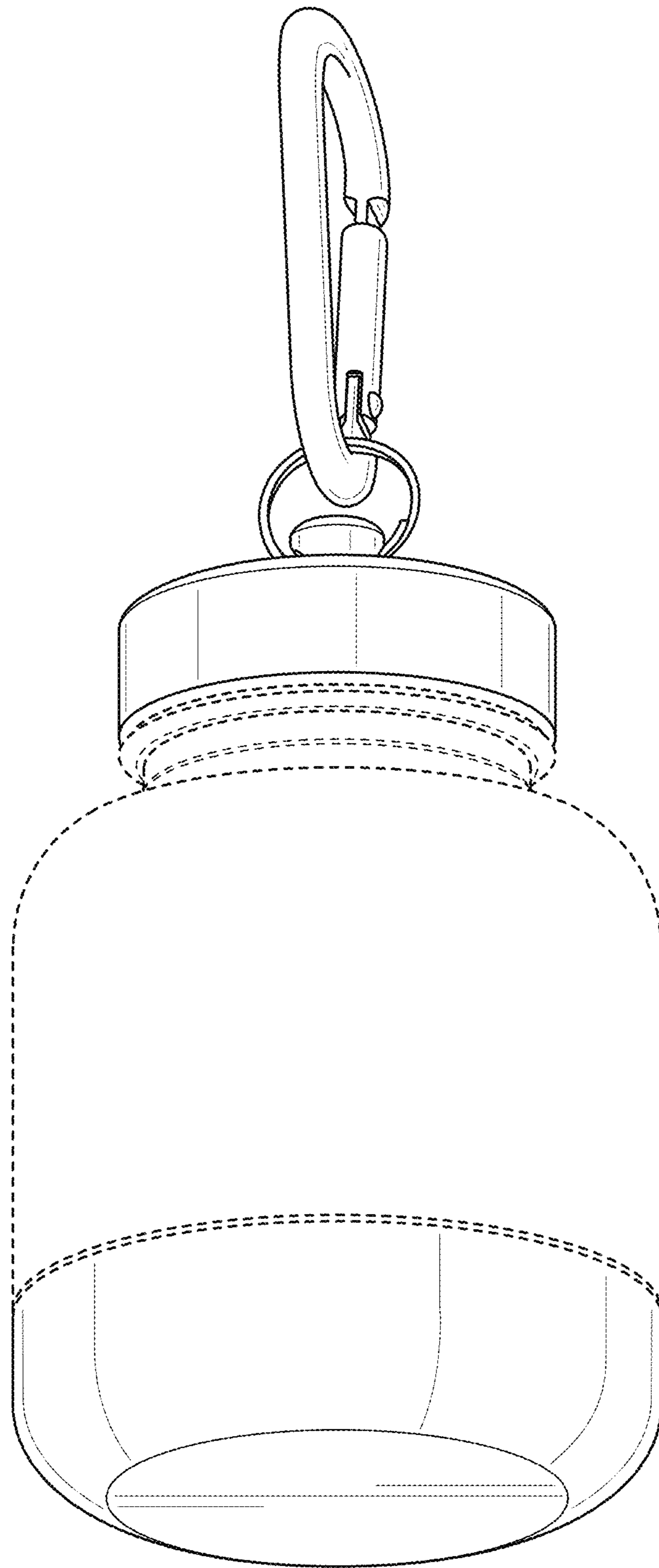


FIG. 2

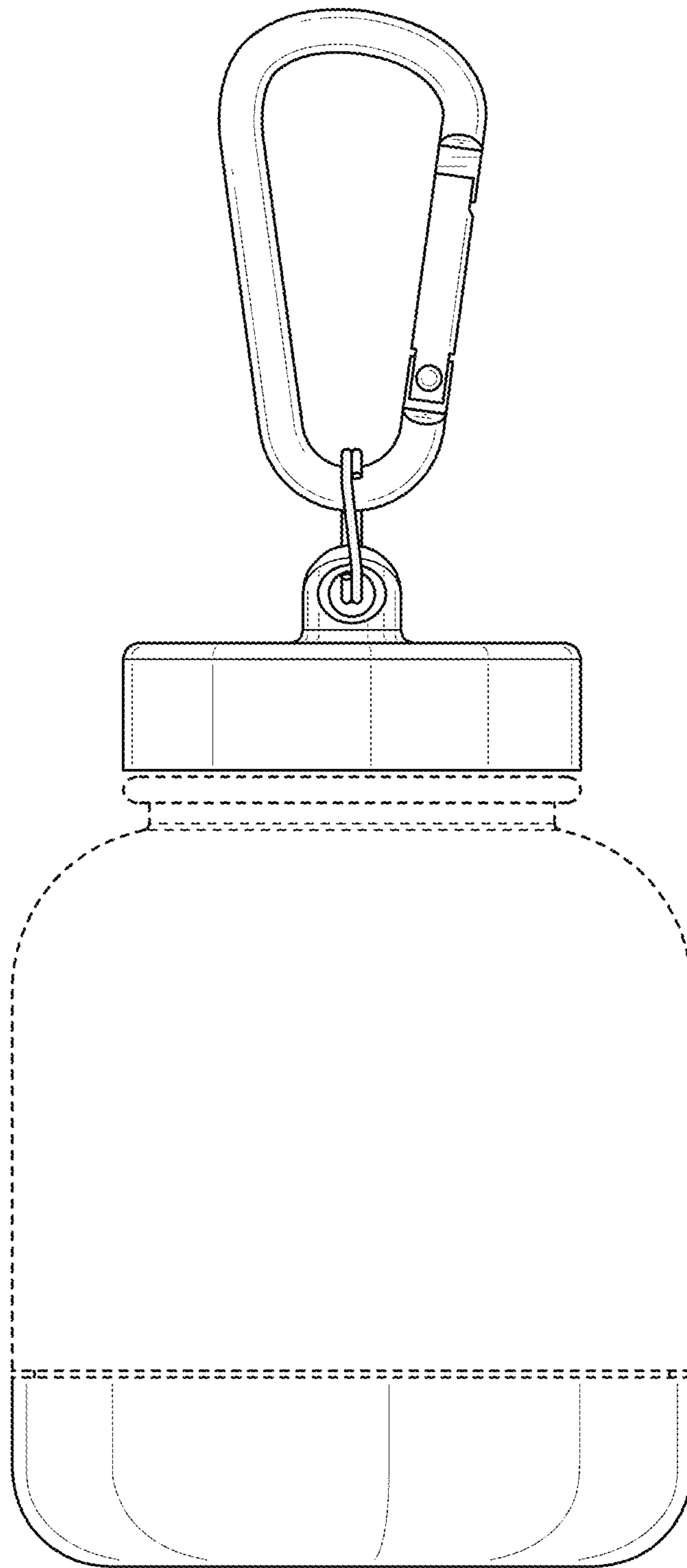


FIG. 3

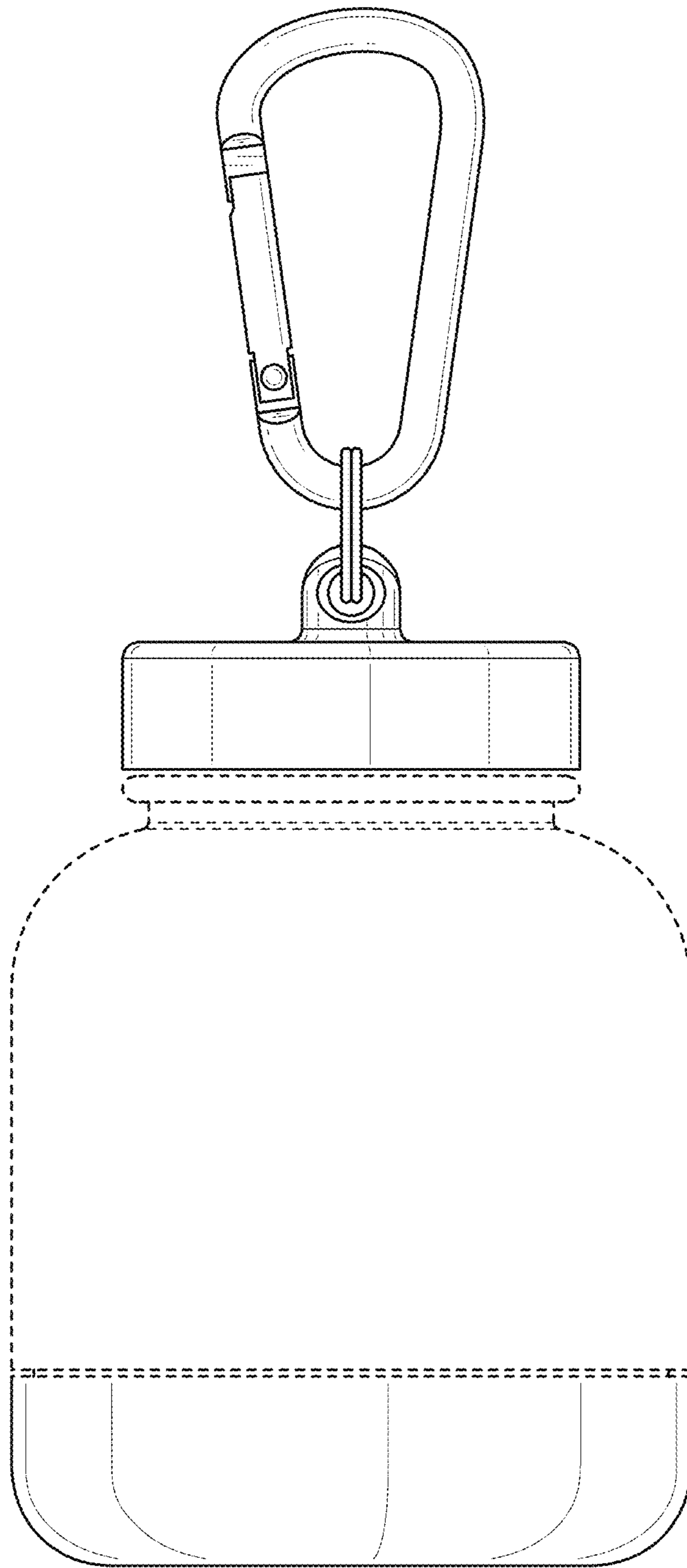


FIG. 4

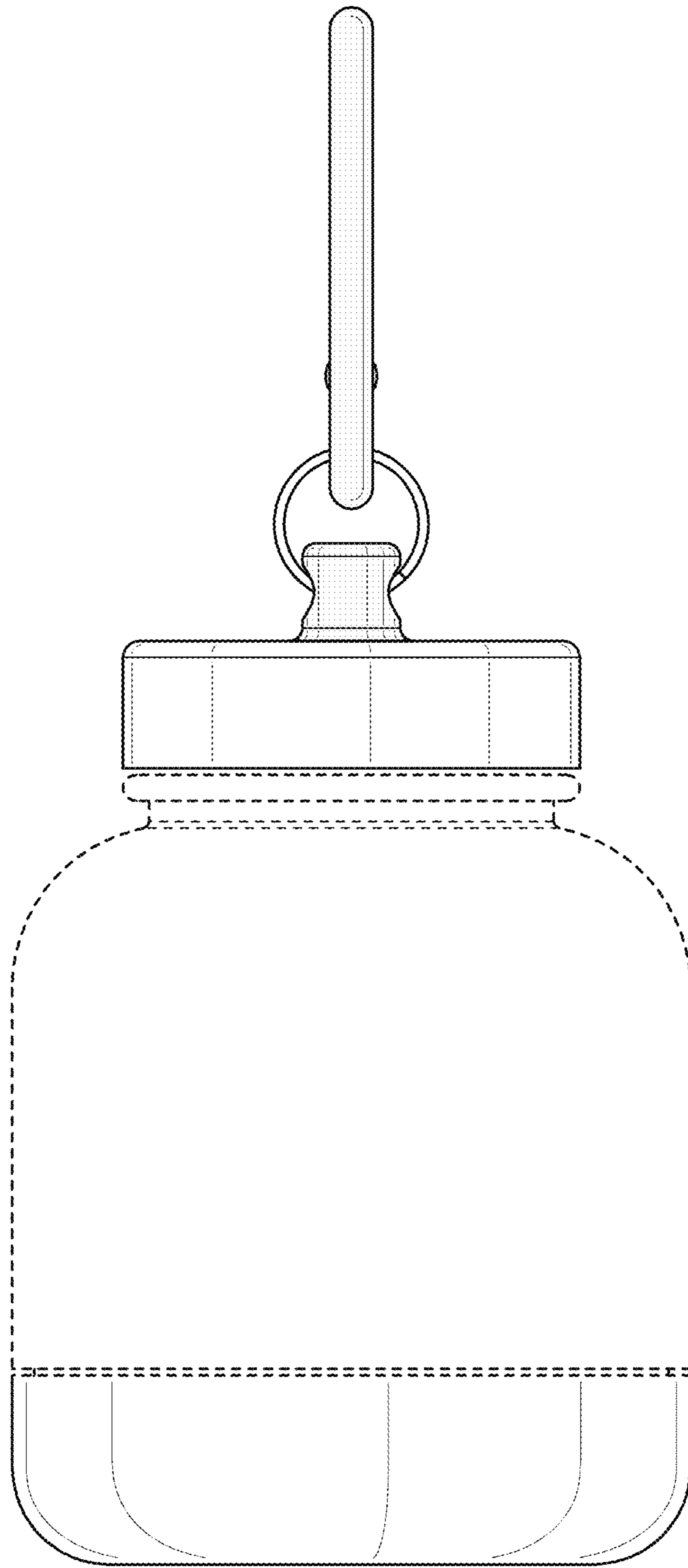


FIG. 5

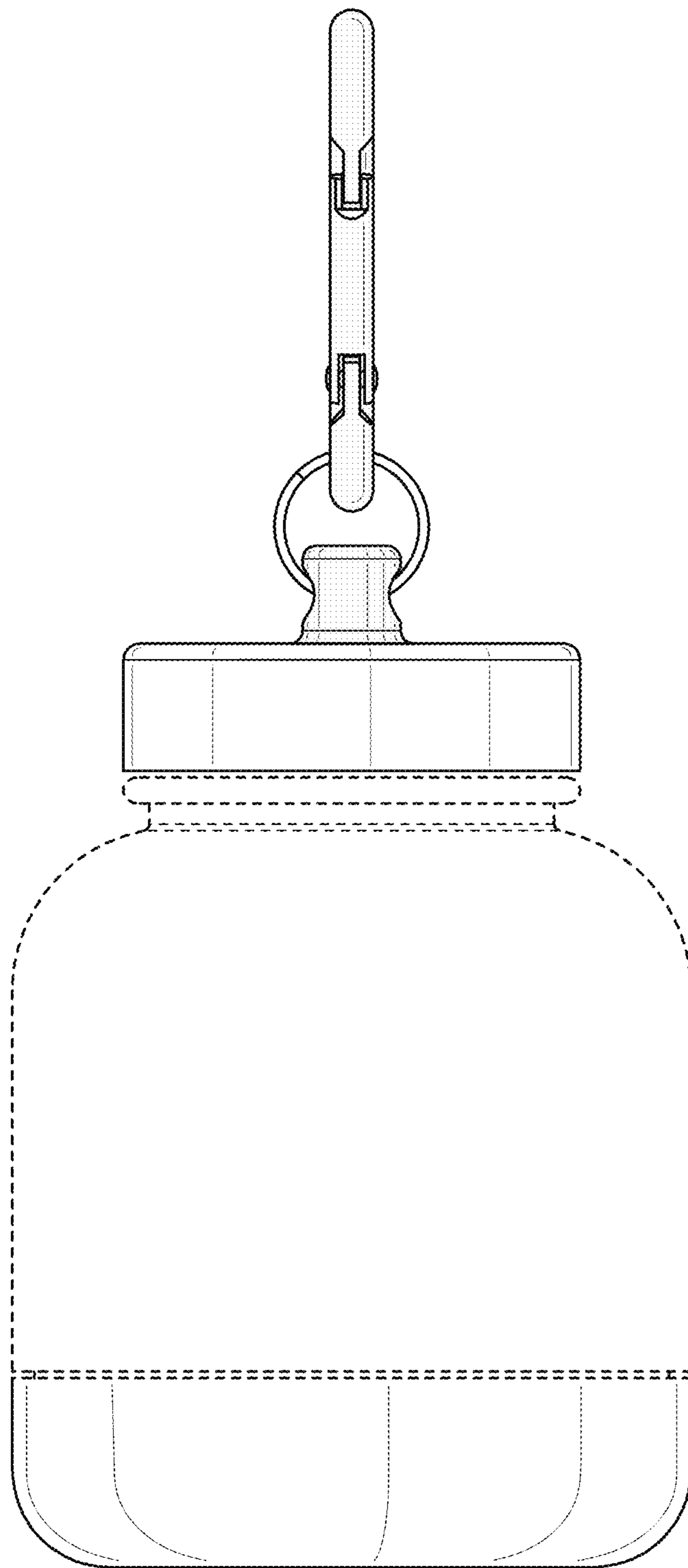


FIG. 6

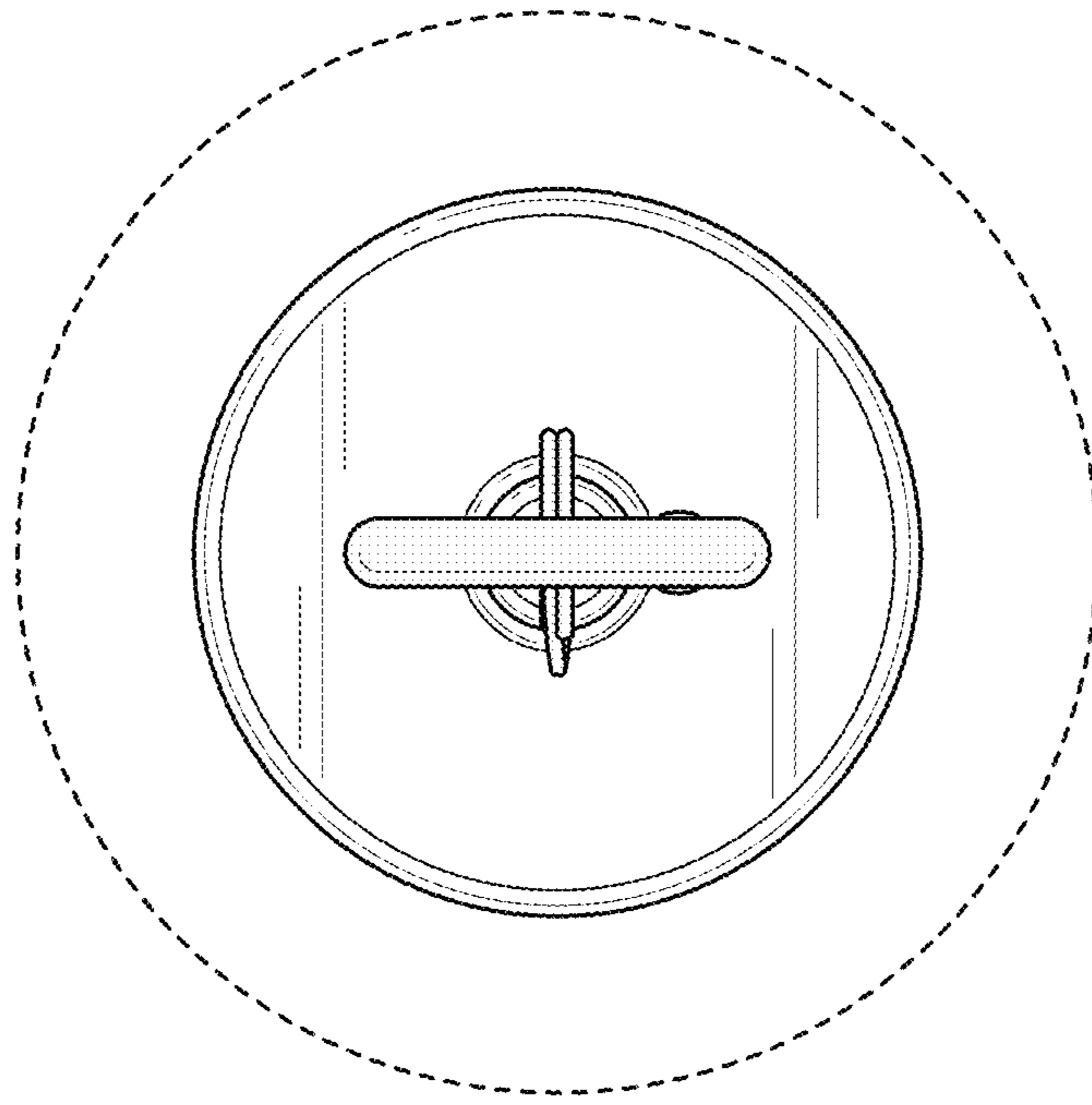


FIG. 7

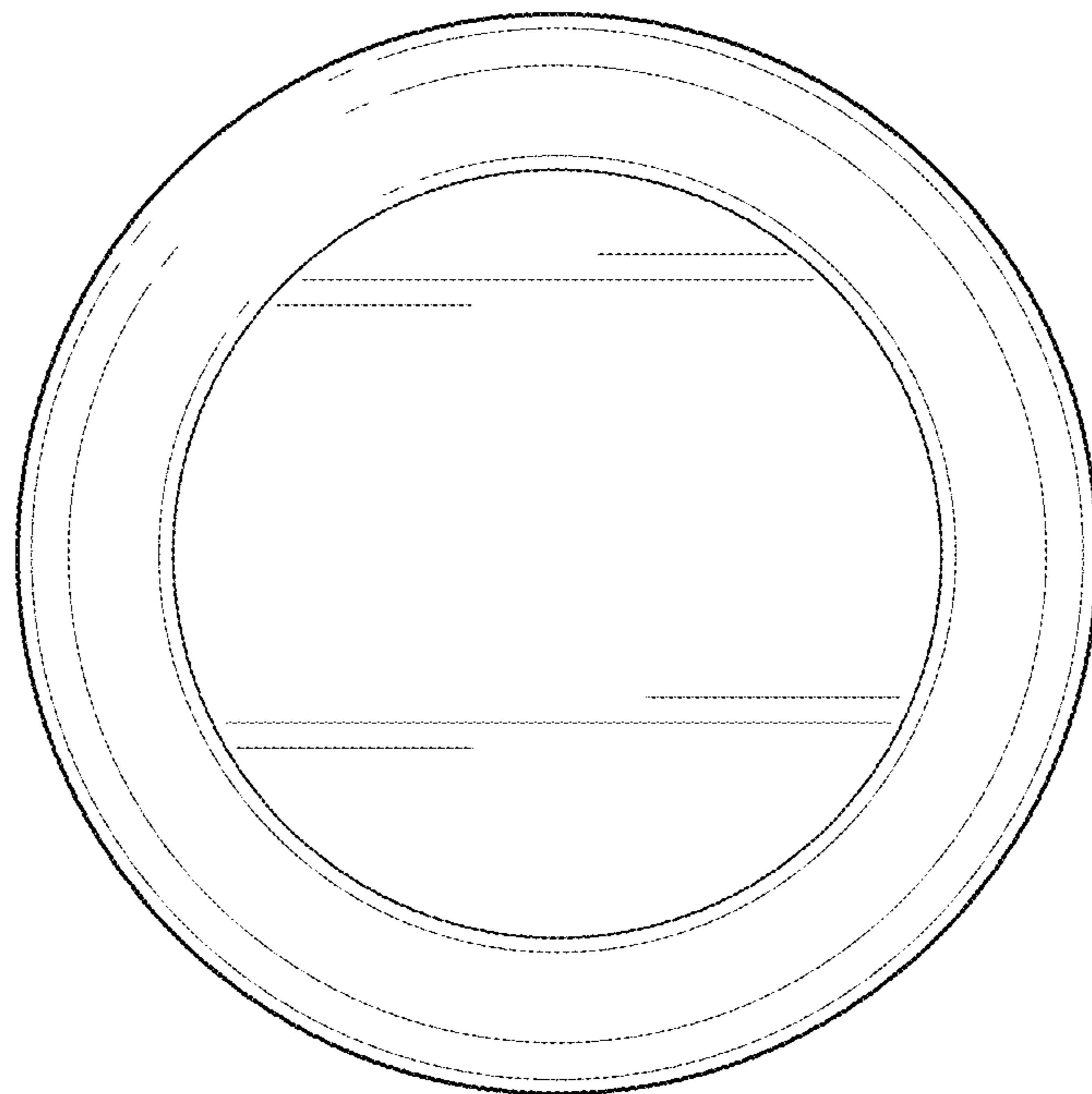


FIG. 8

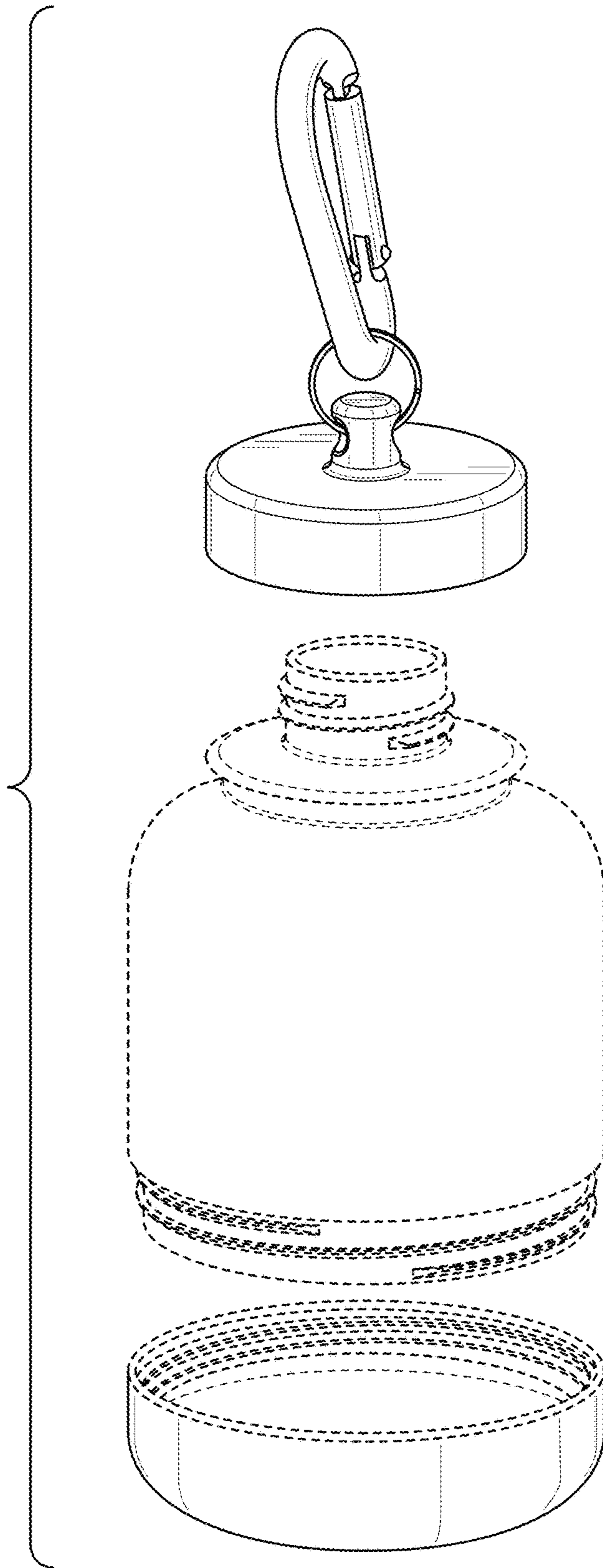


FIG. 9

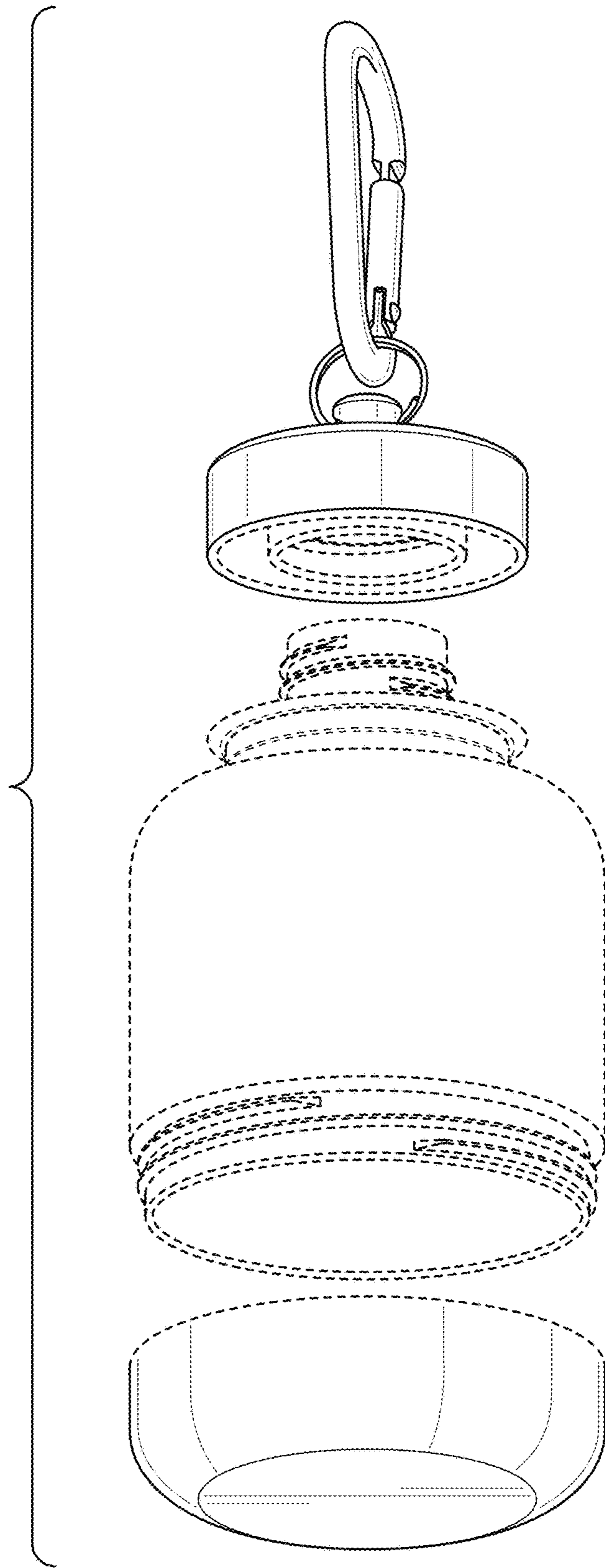


FIG. 10