



US00D832105S

(12) **United States Design Patent** (10) **Patent No.:** **US D832,105 S**
Clemence et al. (45) **Date of Patent:** **** Oct. 30, 2018**

- (54) **CONTAINER SPOUT**
- (71) Applicants: **Josh Clemence**, Covington, IN (US);
Noah Durham, Champaign, IL (US)
- (72) Inventors: **Josh Clemence**, Covington, IN (US);
Noah Durham, Champaign, IL (US)
- (73) Assignee: **Envirox, L.L.C.**, Danville, IL (US)
- (**) Term: **15 Years**
- (21) Appl. No.: **29/593,378**
- (22) Filed: **Feb. 8, 2017**

- D313,350 S 1/1991 Beaver
- D329,816 S 9/1992 Beaver et al.
- D331,195 S 11/1992 Weckman
- D335,454 S 5/1993 McLean et al.
- D350,484 S 9/1994 Addis et al.
- D363,667 S 10/1995 Baratta-Dragono et al.
- D366,421 S 1/1996 Best
- D402,553 S 12/1998 Webster et al.
- D409,495 S 5/1999 Hartman et al.
- D420,918 S 2/2000 Hefter et al.
- D430,798 S 9/2000 Stevens et al.
- D472,151 S 3/2003 Warren et al.
- D474,977 S * 5/2003 Yourist D9/538
- D518,731 S 4/2006 Yourist et al.
- D548,595 S 8/2007 Marasligiller et al.
- D553,501 S 10/2007 Arnett et al.
- D556,583 S 12/2007 Gurst et al.
- D561,044 S * 2/2008 Lepoitevin D9/539

(Continued)

Related U.S. Application Data

- (63) Continuation of application No. 29/519,503, filed on Mar. 5, 2015, now abandoned.
- (51) **LOC (11) Cl.** **09-01**
- (52) **U.S. Cl.**
USPC **D9/516**
- (58) **Field of Classification Search**
USPC D9/516, 520, 527, 528, 522, 530, 531,
D9/536, 543, 563, 572-574; 215/14, 214,
215/217, 223, 379, 382-385, 396, 398;
220/220, 890; 222/210, 212, 215
CPC B65D 1/0223; B65D 1/0284; B65D 23/10;
B65D 2501/0081; B65D 2203/02
See application file for complete search history.

Primary Examiner — Derrick E Holland
Assistant Examiner — Janice Patyk
(74) *Attorney, Agent, or Firm* — King & Partners, PLC

(57) **CLAIM**

The ornamental design for a container spout, as shown and described.

DESCRIPTION

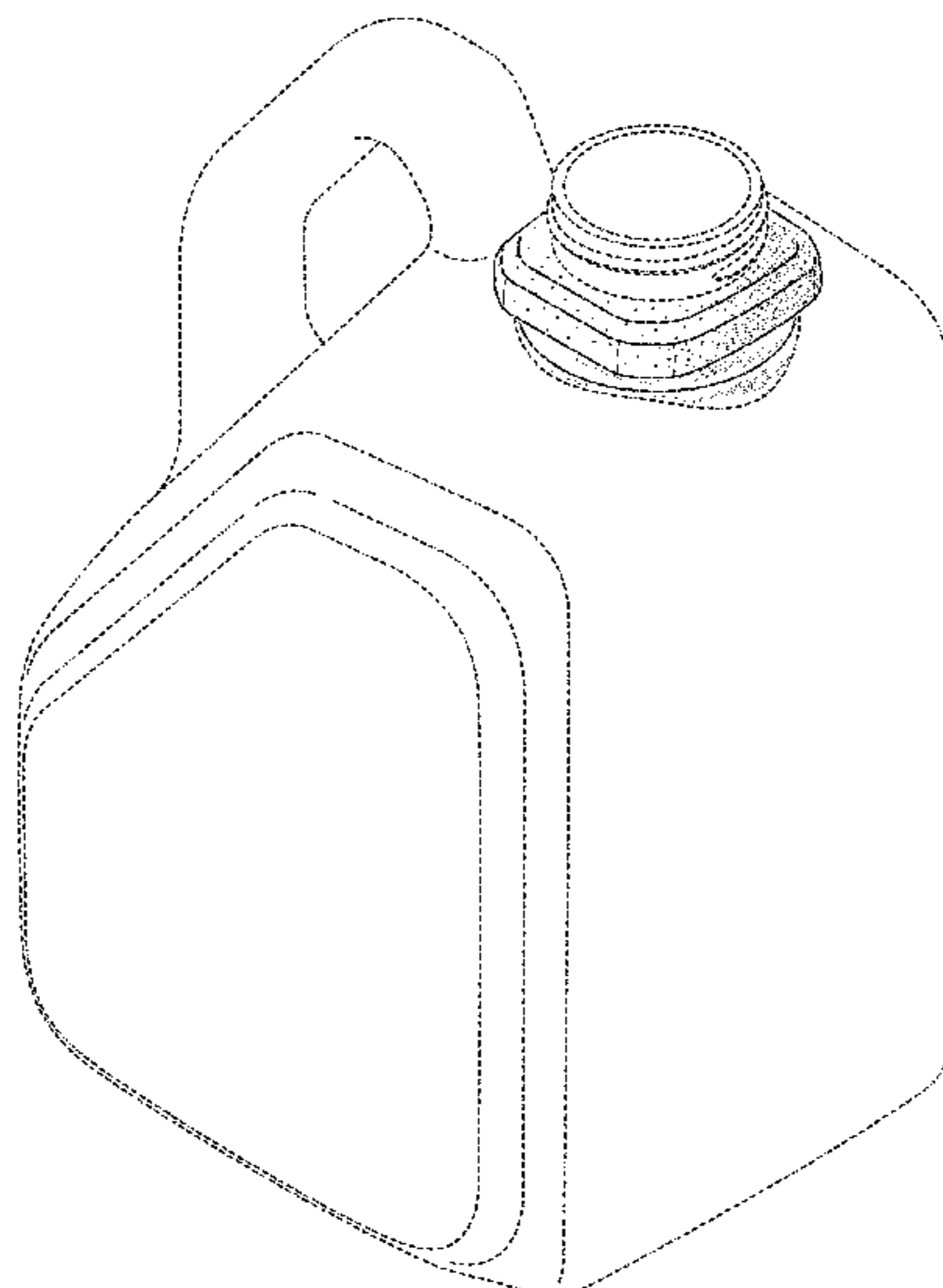
FIG. 1 is a front perspective view of a container spout, showing our new design.
FIG. 2 is a left side view of the container spout of FIG. 1, and the right side view being a mirror image.
FIG. 3 is a front view of the container spout of FIG. 1.
FIG. 4 is a rear view of the container spout of FIG. 1.
FIG. 5 is a top plan view of the container spout of FIG. 1; and,
FIG. 6 is a bottom plan view of the container spout of FIG. 1.
The broken lines in the figures illustrate environmental subject matter that form no part of the claimed design.

(56) **References Cited**

U.S. PATENT DOCUMENTS

- D244,991 S 7/1977 Weckman et al.
- D259,405 S 6/1981 Drummond
- D259,541 S 6/1981 Halbeisen et al.
- D267,233 S * 12/1982 Aoki D9/520
- D305,984 S * 2/1990 Alberghini D9/500
- D309,420 S 7/1990 Beaver
- D311,136 S 10/1990 Barker et al.

1 Claim, 5 Drawing Sheets



(56)

References Cited

U.S. PATENT DOCUMENTS

D564,897 S * 3/2008 Trollope D9/552
D567,105 S * 4/2008 Trollope D9/552
D571,217 S 6/2008 Bates et al.
D573,884 S 7/2008 Crabtree et al.
D579,778 S 11/2008 De Gopegui et al.
D584,155 S 1/2009 Lorio
D595,137 S 6/2009 Bates et al.
D627,231 S 11/2010 Lee et al.
D637,916 S 5/2011 McNabb et al.
D643,297 S 8/2011 Lee et al.
D651,907 S 1/2012 Dennis et al.
D661,193 S 6/2012 Merchant et al.
D683,628 S 6/2013 Claassen
D684,061 S 6/2013 Leslie et al.
D685,642 S 7/2013 Leslie et al.
D686,080 S 7/2013 Tomkins et al.
D691,477 S 10/2013 Tomkins et al.
D696,128 S 12/2013 Lindsay et al.
D705,069 S 5/2014 Crisanti et al.
D714,647 S 10/2014 Kersten
D716,146 S 10/2014 Palmatier et al.
D721,587 S 1/2015 Bos et al.
D723,927 S 3/2015 Fish et al.
D724,435 S 3/2015 Kaufman et al.
D730,190 S 5/2015 Lindsay et al.
D733,567 S 7/2015 Lindsay et al.
D735,046 S * 7/2015 De Lorme D9/560
D736,637 S 8/2015 Castillo Higareda et al.
D739,247 S 9/2015 McDonnell
D739,749 S 9/2015 Bhattacharyya et al.
D741,183 S 10/2015 Cannamela et al.
D741,715 S 10/2015 Casscles et al.
D743,806 S 11/2015 Lang et al.
D746,685 S * 1/2016 Foley D9/453

* cited by examiner

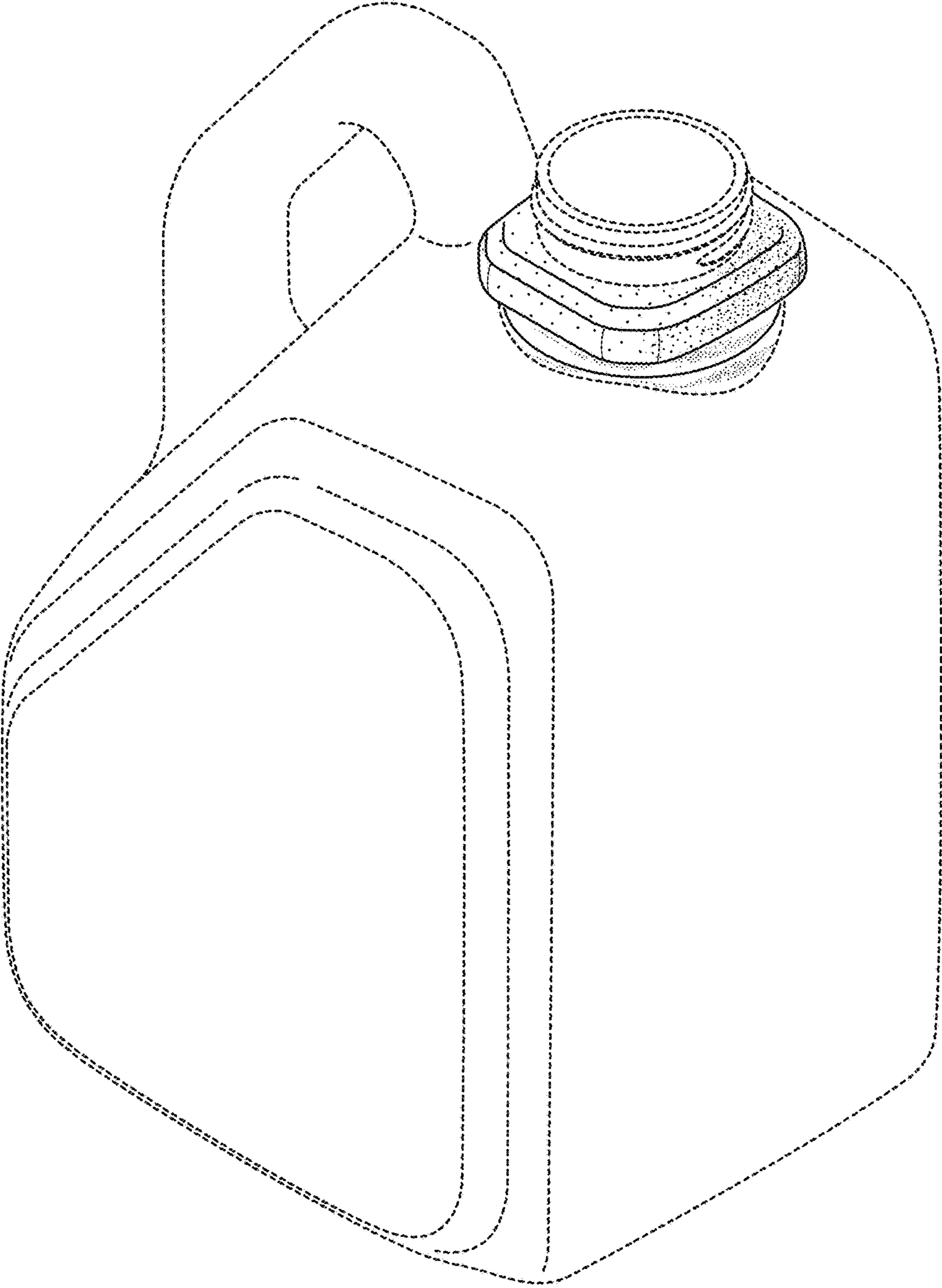


Figure 1

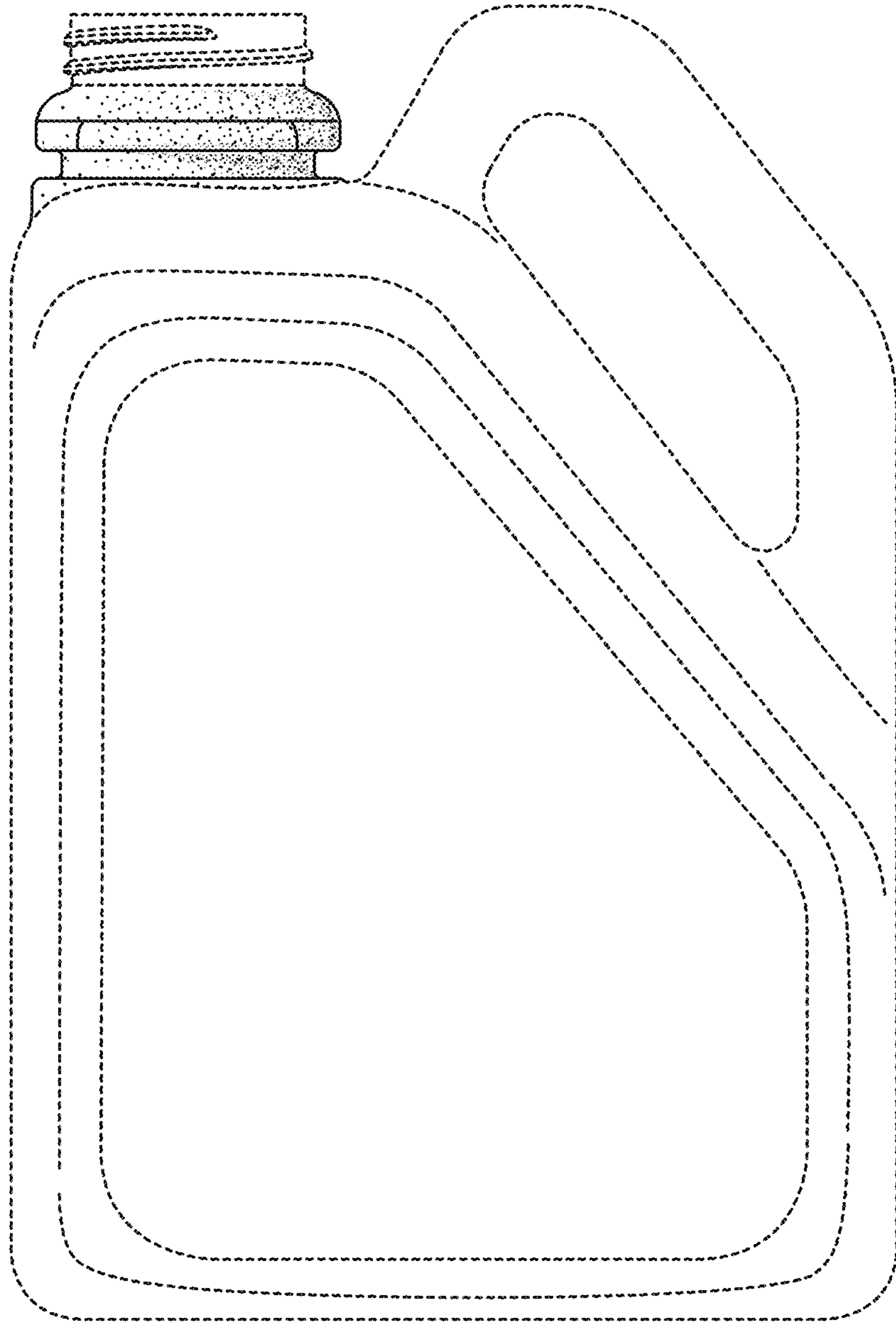


Figure 2

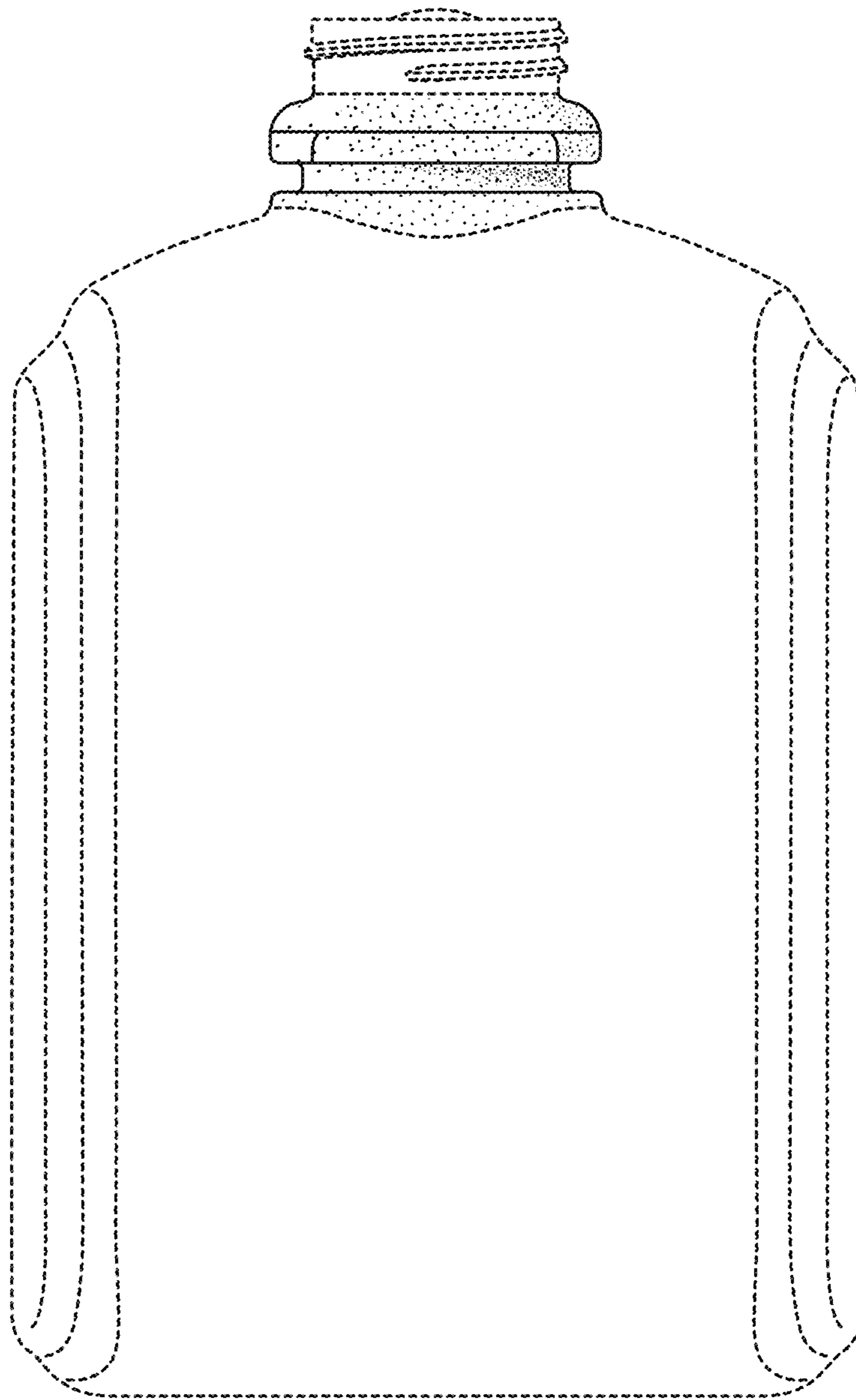


Figure 3

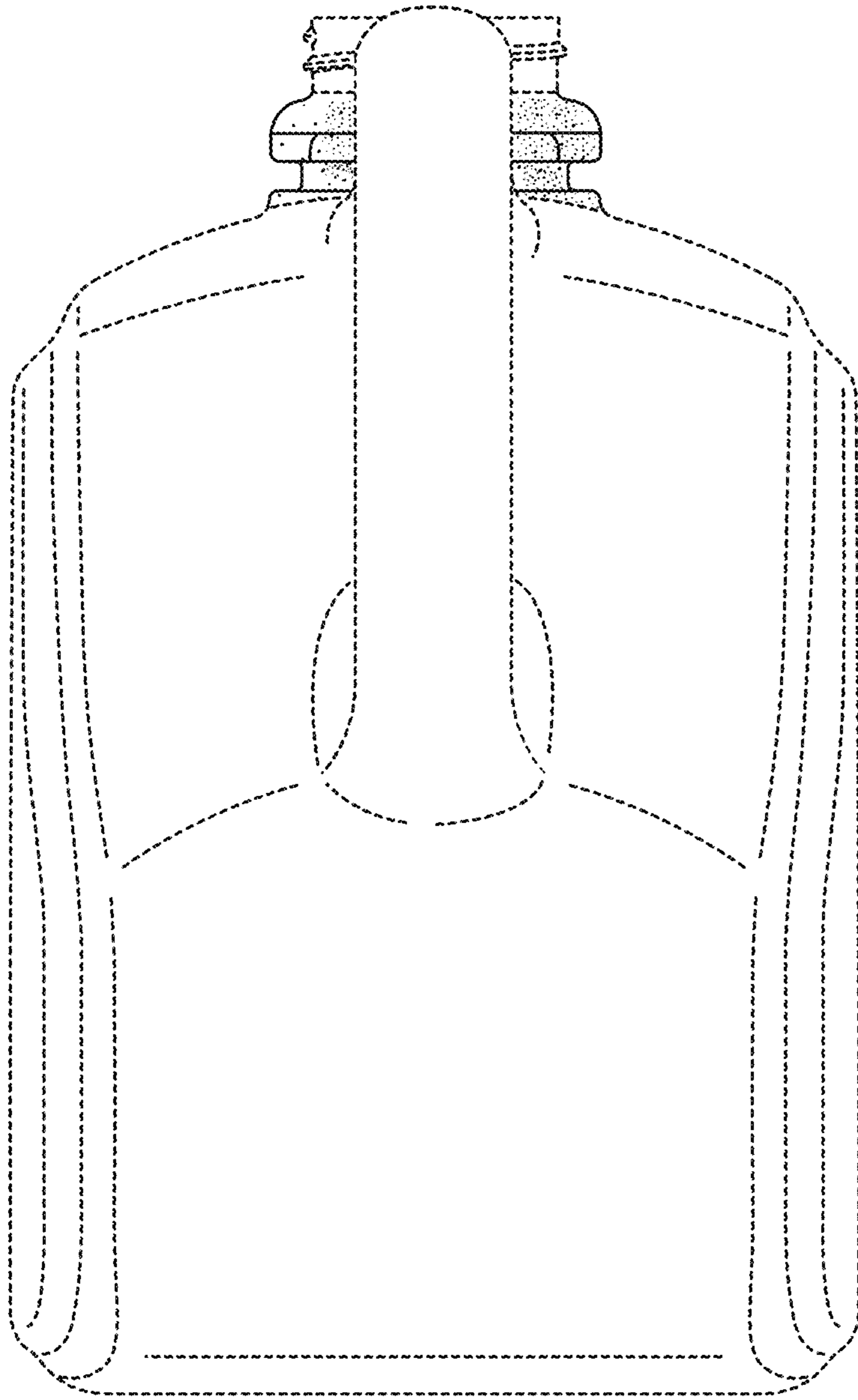


Figure 4

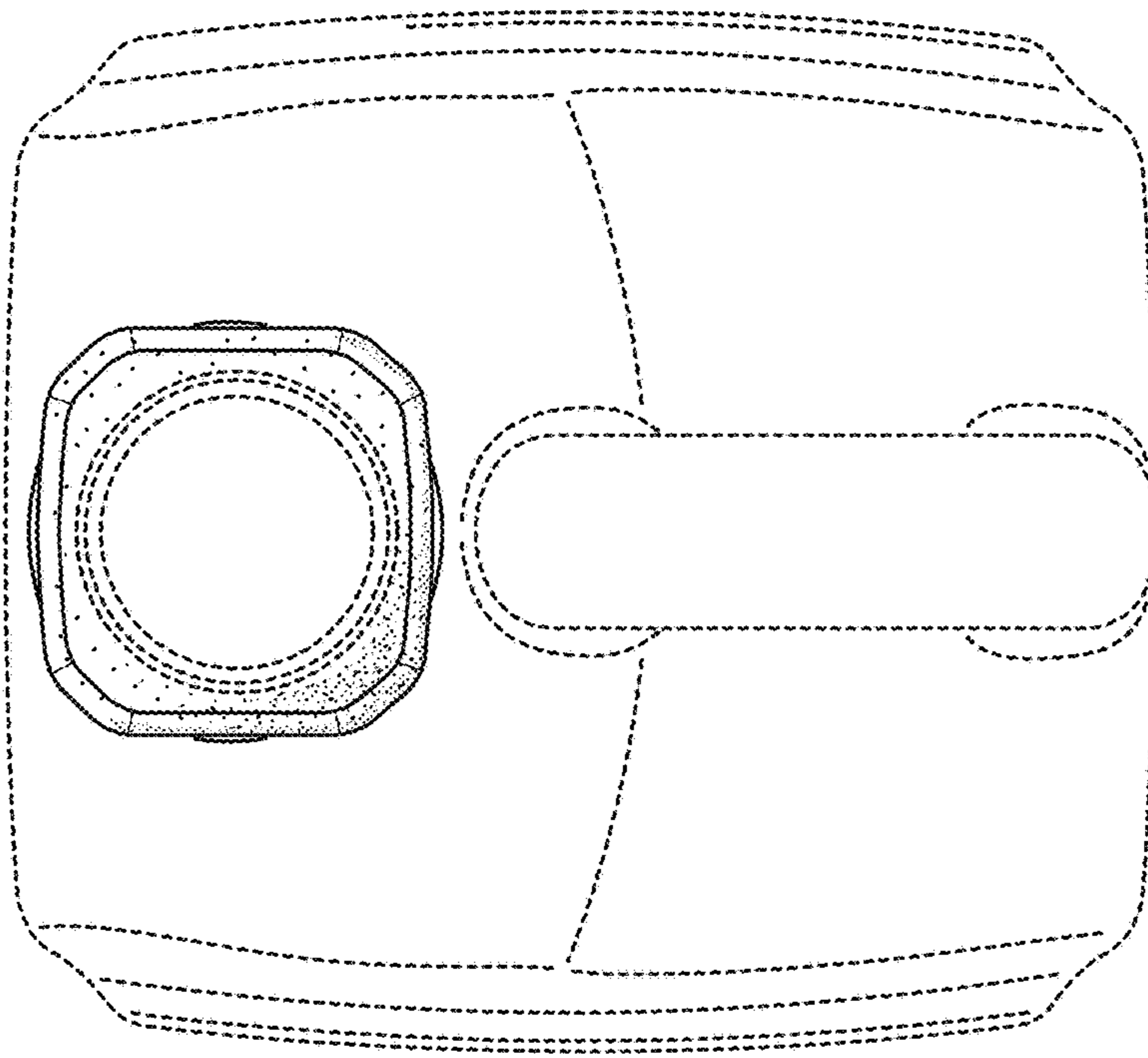


Figure 5

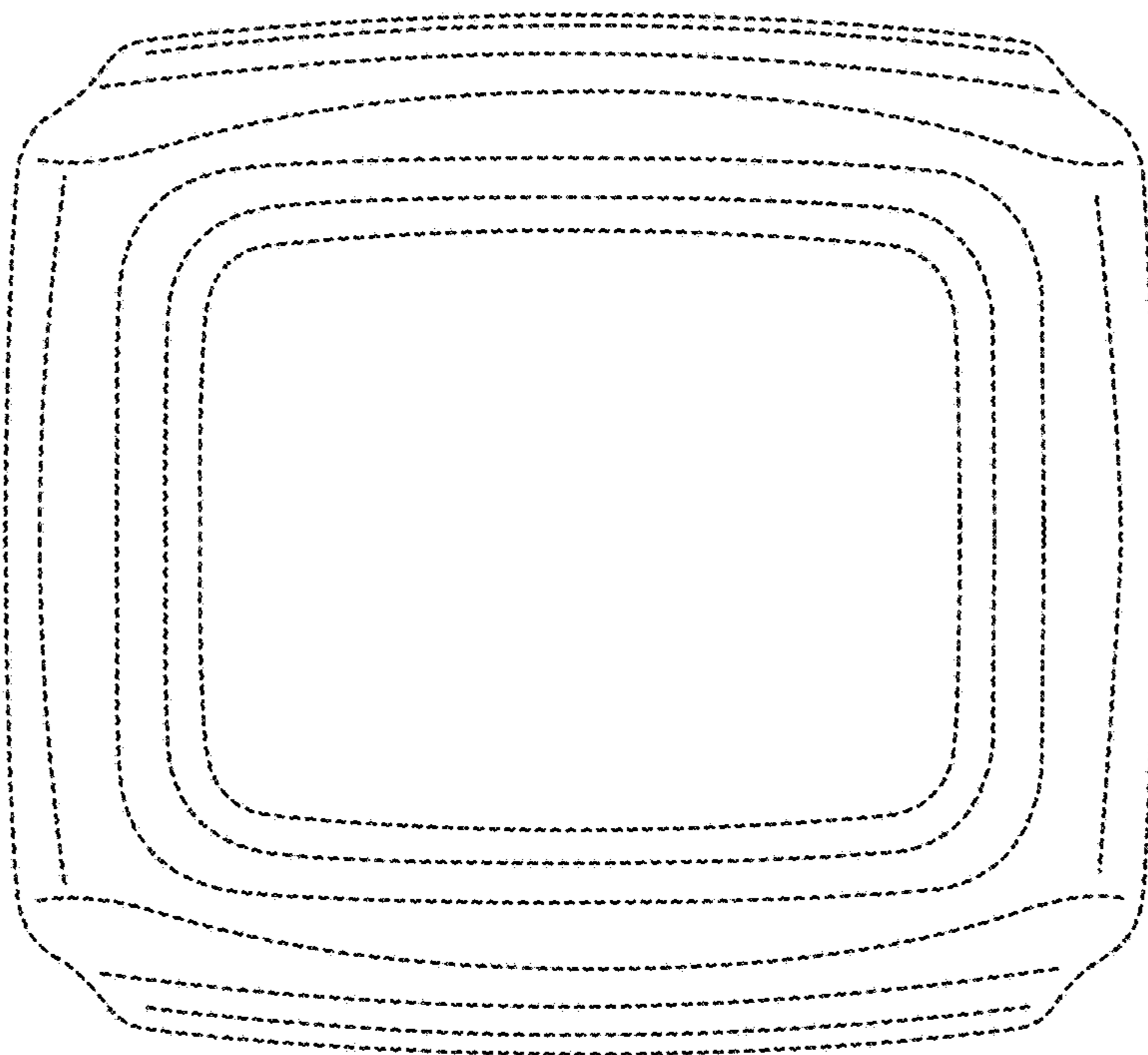


Figure 6