



US00D832104S

(12) **United States Design Patent** (10) **Patent No.:** **US D832,104 S**
Kunst (45) **Date of Patent:** **** Oct. 30, 2018**

- (54) **BOTTLE**
- (71) Applicant: **PepsiCo, Inc.**, Purchase, NY (US)
- (72) Inventor: **Roland Kunst**, Bucharest (RO)
- (73) Assignee: **PepsiCo, Inc.**, Purchase, NY (US)
- (**) Term: **15 Years**
- (21) Appl. No.: **29/585,141**
- (22) Filed: **Nov. 21, 2016**

Related U.S. Application Data

- (63) Continuation of application No. 29/546,545, filed on Nov. 23, 2015, now Pat. No. Des. 777,578.
- (51) **LOC (11) Cl.** **09-01**
- (52) **U.S. Cl.**
USPC **D9/516; D9/552**
- (58) **Field of Classification Search**
USPC D9/682, 686-687, 689, 691-694, 725, D9/763, 772-773, 775, 779, 516, 519, D9/521-522, 526, 529-530, 537, 543, D9/549-550, 552, 226, 559-561, 565, D9/571, 574-575, 538, 556; 215/379, 215/381-385; 220/660, 669, 675
See application file for complete search history.

(56) **References Cited**

U.S. PATENT DOCUMENTS

D101,483 S	10/1936	Mott	
D162,254 S	2/1951	Steuer	
D212,276 S	9/1968	Lodding et al.	
D305,984 S	2/1990	Alberghini et al.	
D358,547 S	5/1995	Darr	
D386,088 S *	11/1997	Satoh	D9/536
D406,065 S	2/1999	Cheng	
D429,156 S	8/2000	Williams et al.	

D432,019 S	10/2000	Steward	
D443,519 S	6/2001	Warner et al.	
D462,013 S	8/2002	Iizuka et al.	
D474,977 S	5/2003	Yourist et al.	
D499,967 S *	12/2004	Carlson	D9/552
D509,747 S *	9/2005	Carlson	D9/552
D522,873 S	6/2006	Forget et al.	
D527,265 S	8/2006	Brandt et al.	
D567,098 S *	4/2008	Sequeira	D9/552
D568,754 S	5/2008	Sequeira	
D570,701 S	6/2008	Miller et al.	
D594,344 S	6/2009	Walsh et al.	
D600,559 S	9/2009	Lepoitevin	
D602,782 S	10/2009	Lepoitevin	
D603,711 S	11/2009	Lepoitevin	
D604,169 S	11/2009	Melossi	
D607,730 S *	1/2010	Lepoitevin	D9/516

(Continued)

Primary Examiner — Dana Meyrow

(74) *Attorney, Agent, or Firm* — Sterne, Kessler, Goldstein & Fox P.L.L.C.

(57) **CLAIM**

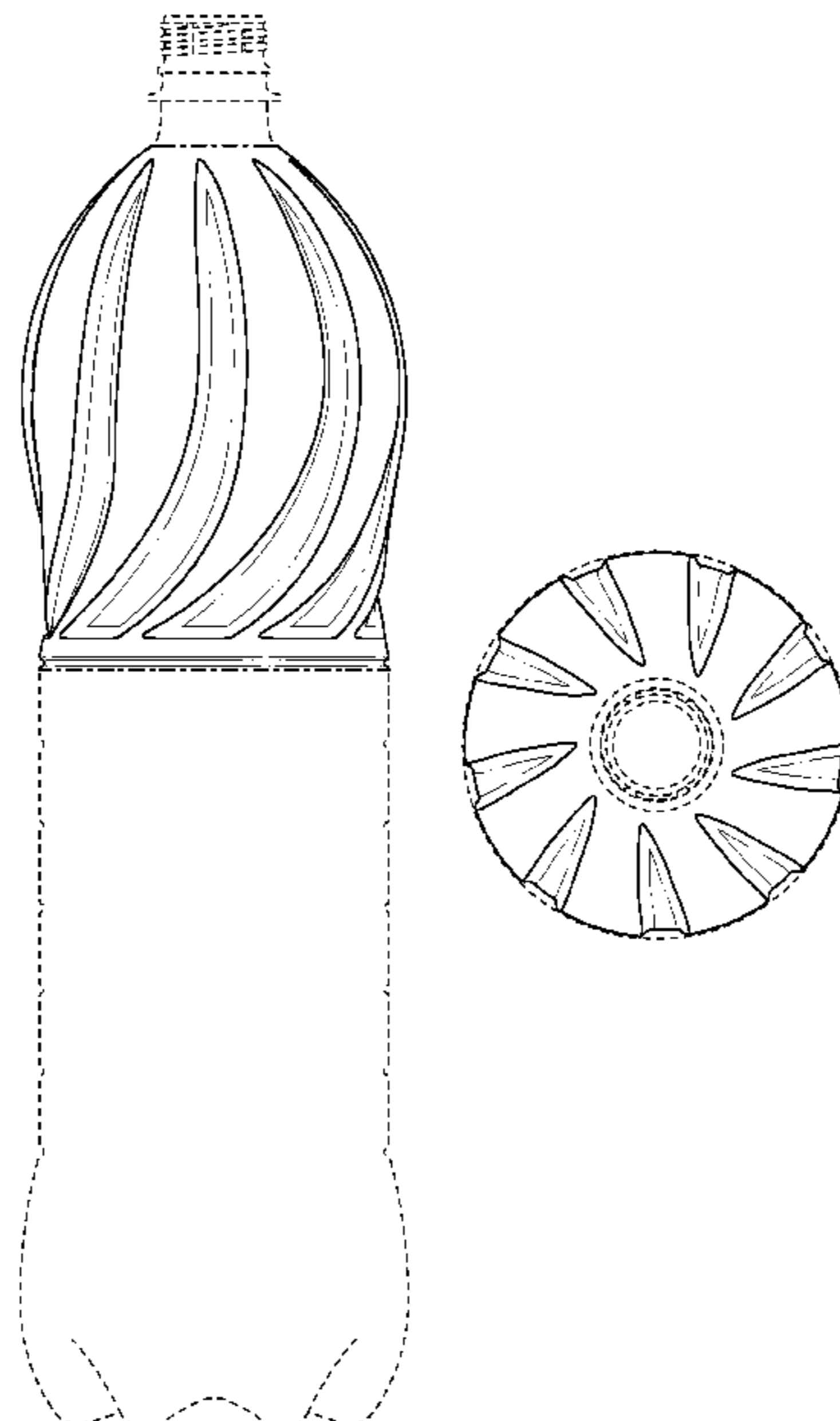
The ornamental design for a bottle, as shown and described.

DESCRIPTION

FIG. 1 is a top front perspective view of a bottle showing the claimed design;
 FIG. 2 is a front view thereof;
 FIG. 3 is a rear view thereof;
 FIG. 4 is a left side view thereof;
 FIG. 5 is a right side view thereof;
 FIG. 6 is a top view thereof; and,
 FIG. 7 is a bottom view thereof.

The dashed broken lines in the figures show portions of the bottle that form no part of the claimed design.
 The dot-dash broken lines in the figures show boundaries that form no part of the claimed design.

1 Claim, 6 Drawing Sheets



(56)

References Cited

U.S. PATENT DOCUMENTS

D662,824 S	7/2012	Perez	
D677,574 S	3/2013	Barnard et al.	
D677,575 S	3/2013	Barnard et al.	
D699,114 S	2/2014	Fleischhacker et al.	
D699,580 S	2/2014	Eaton et al.	
8,714,385 B2 *	5/2014	Jung, II B65D 23/04 215/379
D777,578 S *	1/2017	Kunst D9/538

* cited by examiner

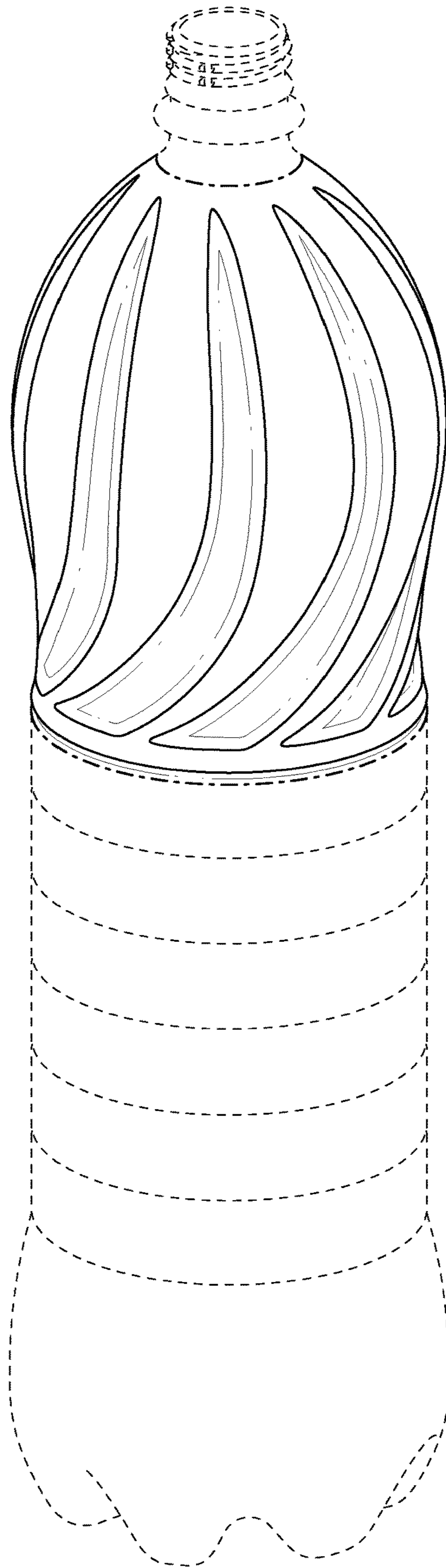


FIG. 1

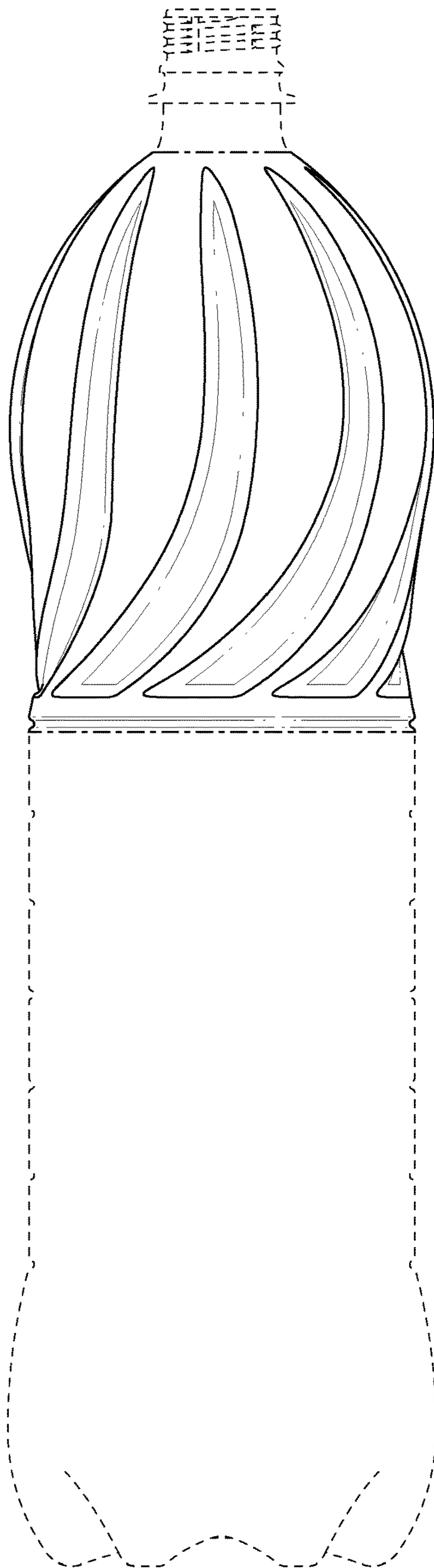


FIG. 2

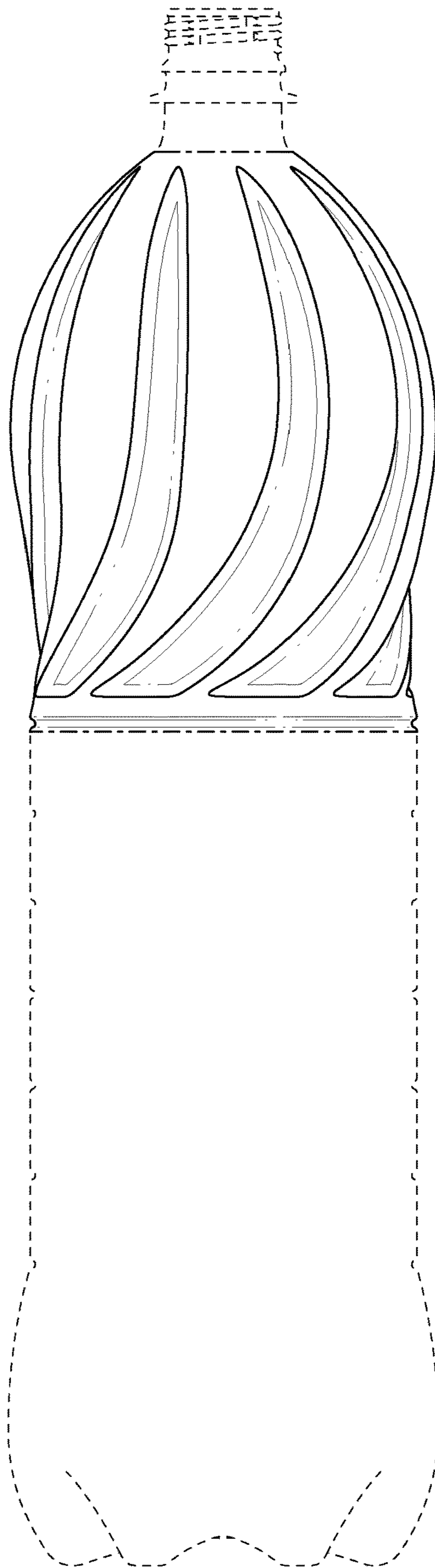


FIG. 3

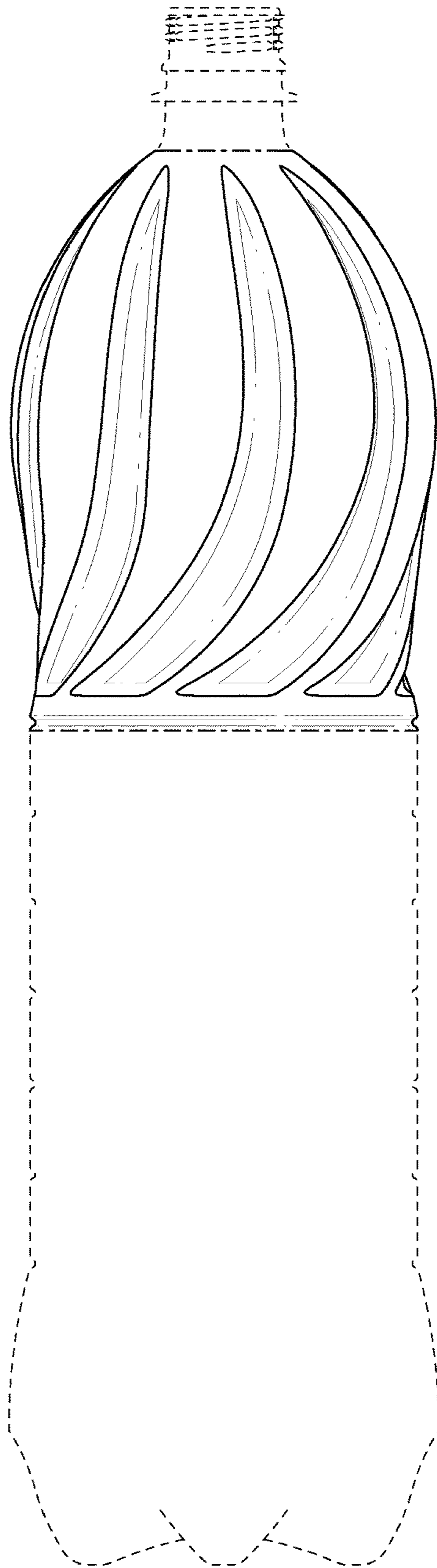


FIG. 4

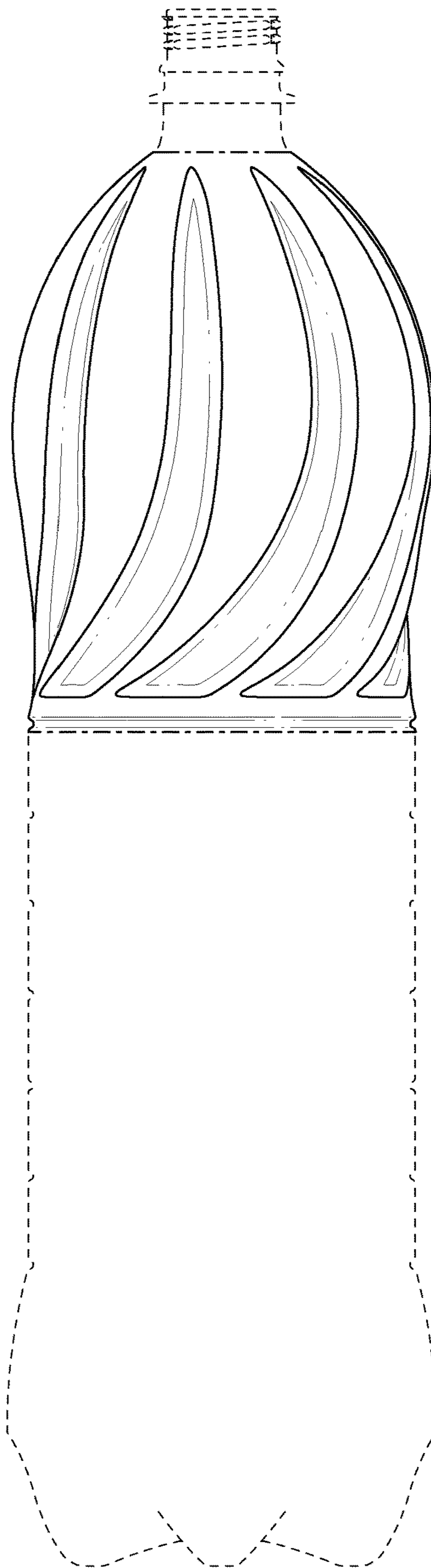


FIG. 5

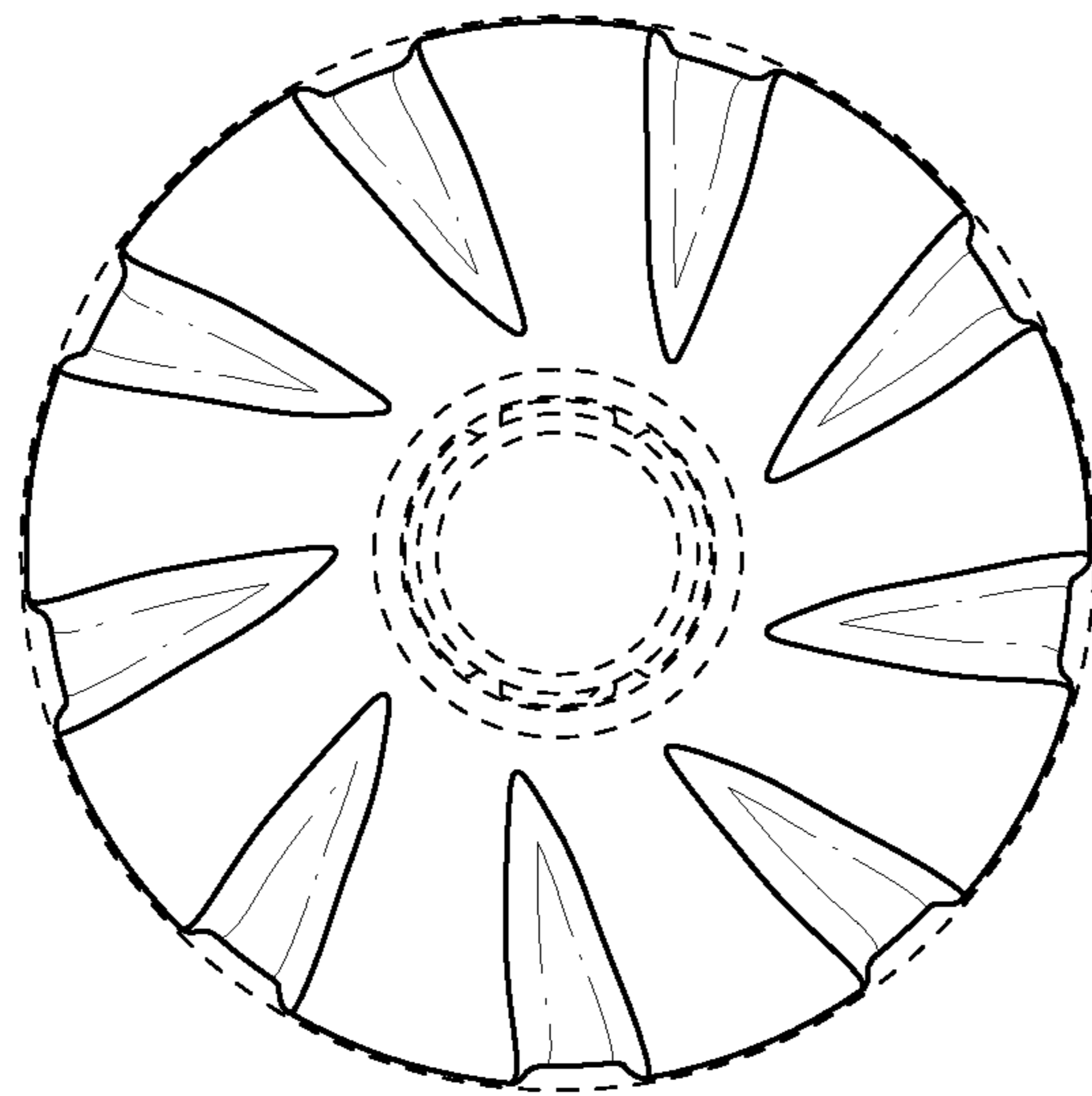


FIG. 6

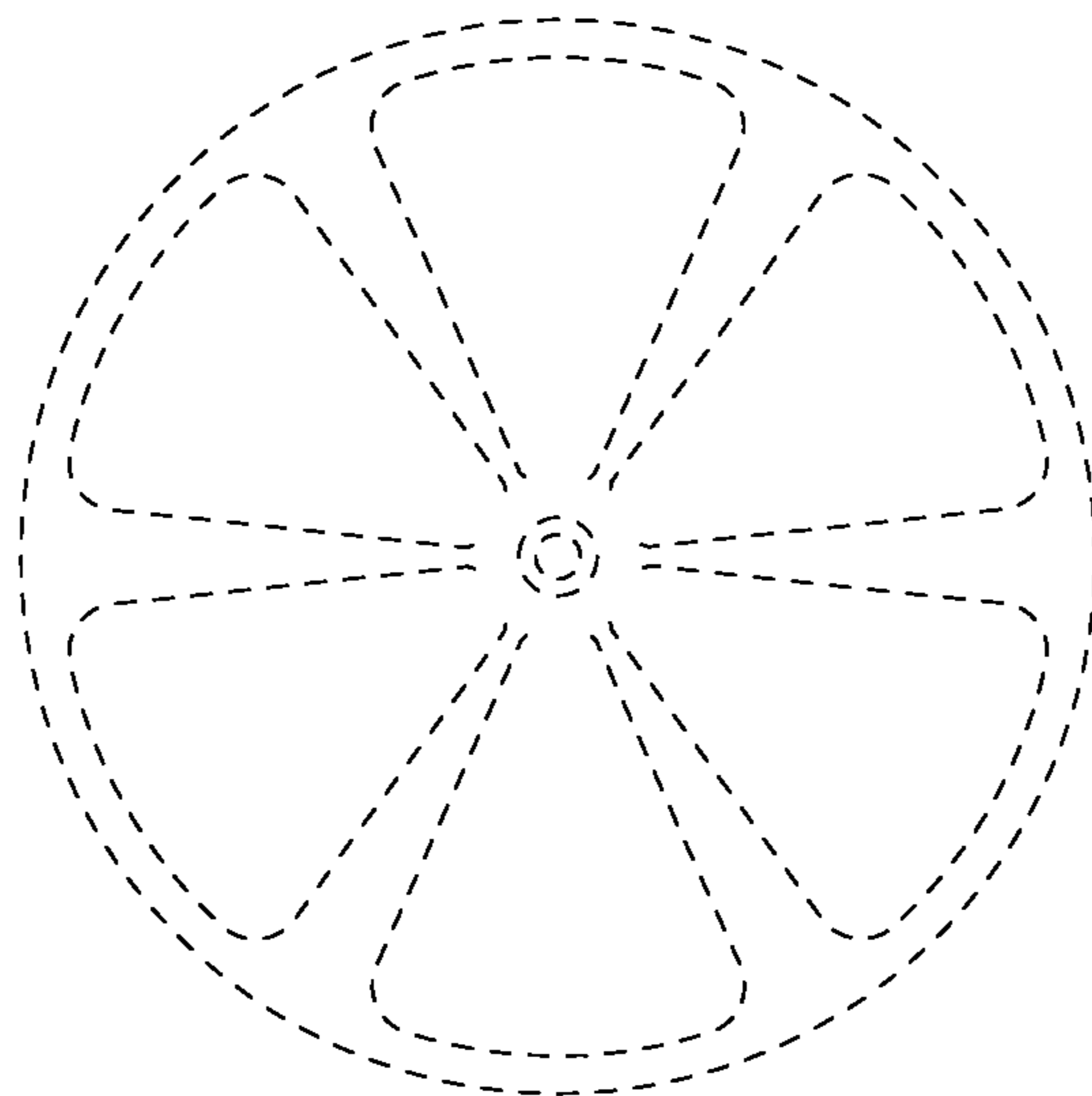


FIG. 7