



US00D832101S

(12) **United States Design Patent**  
**Nicholson**

(10) **Patent No.:** **US D832,101 S**

(45) **Date of Patent:** **\*\* Oct. 30, 2018**

- (54) **STYLIZED POUR CAP**
- (71) Applicant: **Daniel Clark Nicholson**, Eugene, OR (US)
- (72) Inventor: **Daniel Clark Nicholson**, Eugene, OR (US)
- (\*\*) Term: **15 Years**
- (21) Appl. No.: **29/606,369**
- (22) Filed: **Jun. 4, 2017**
- (51) **LOC (11) Cl.** ..... **09-07**
- (52) **U.S. Cl.**  
USPC ..... **D9/447; D7/392**
- (58) **Field of Classification Search**  
USPC ..... D9/434-436, 443-445, 447-450, 454, D9/499, 682, 685, 686, 723-727; D7/387, 391, 392, 392.1, 396.1, 396.2, D7/397, 398, 401.1, 510, 511, 300, 300.1, D7/307, 308, 412, 589; D3/202; D28/91.1, 7; D6/542; D16/131, 134-136  
CPC .. A61J 1/00; A61J 1/1412; B65D 1/00; B65D 1/02; B65D 1/10; B65D 1/46; B65D 2585/56; B65D 2585/545; B65D 41/00; B65D 41/38; B65D 41/56; B65D 41/62; B65D 47/00; B65D 47/06; B65D 47/08; B65D 2543/00046; B65D 2543/00092; B65D 2543/00296; B65D 5/46; B65D 2251/00  
See application file for complete search history.

- 3,360,641 A \* 12/1967 Korte ..... G02B 21/086 359/385
- 5,125,757 A \* 6/1992 Morrison ..... A61H 7/003 401/195
- D339,717 S \* 9/1993 Guerra ..... D7/391
- D372,625 S \* 8/1996 Forsen ..... D7/300
- D406,676 S \* 3/1999 Henry ..... D28/7
- D412,262 S \* 7/1999 Roundtree ..... D7/307
- D518,840 S \* 4/2006 Copeland ..... D16/131
- D525,636 S \* 7/2006 Apotheloz ..... D16/131
- D574,237 S \* 8/2008 Yates, III ..... D9/447
- D607,030 S \* 12/2009 Hoelbl ..... D16/131
- D616,707 S \* 6/2010 Gold ..... D7/589
- D623,903 S \* 9/2010 Heinze ..... D7/589
- D631,193 S \* 1/2011 Limongi ..... D28/7
- D667,675 S \* 9/2012 Bouwknecht ..... D15/82
- D705,590 S \* 5/2014 Muir ..... D7/304
- D750,961 S \* 3/2016 Liu ..... D6/542
- 2016/0257449 A1 \* 9/2016 Yazdani ..... B65D 35/38

\* cited by examiner

*Primary Examiner* — Michael A. Pratt  
*Assistant Examiner* — Wendy L Arminio  
(74) *Attorney, Agent, or Firm* — Mark S. Hubert

(57) **CLAIM**

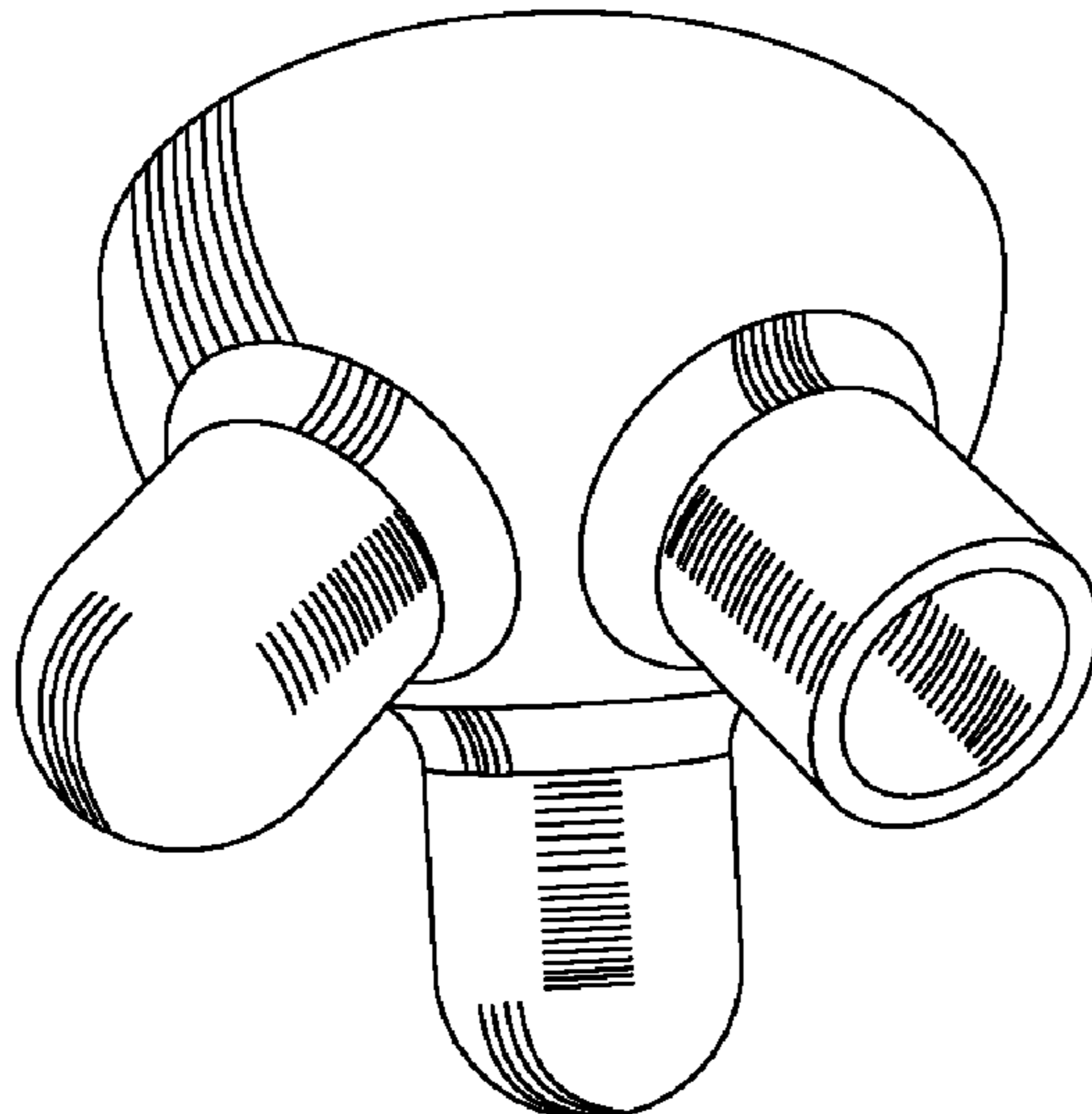
The ornamental design for a stylized pour cap, as shown and described.

**DESCRIPTION**

FIG. 1 is a perspective view of the stylized pour cap showing my new design;  
FIG. 2 is a bottom view of the stylized pour cap;  
FIG. 3 is a top view of the stylized pour cap;  
FIG. 4 is a front side view of the stylized pour cap;  
FIG. 5 is a back side view of the stylized pour cap;  
FIG. 6 is a right side view of the stylized pour cap; and,  
FIG. 7 is a left side view of the stylized pour cap.  
The broken lines depict portions of the stylized pour cap that form no part of the claimed invention.

**1 Claim, 1 Drawing Sheet**

- (56) **References Cited**  
U.S. PATENT DOCUMENTS  
D85,718 S \* 12/1931 Spector et al. .... D7/308  
3,133,882 A \* 5/1964 Mitchell ..... B04B 5/0414 206/589



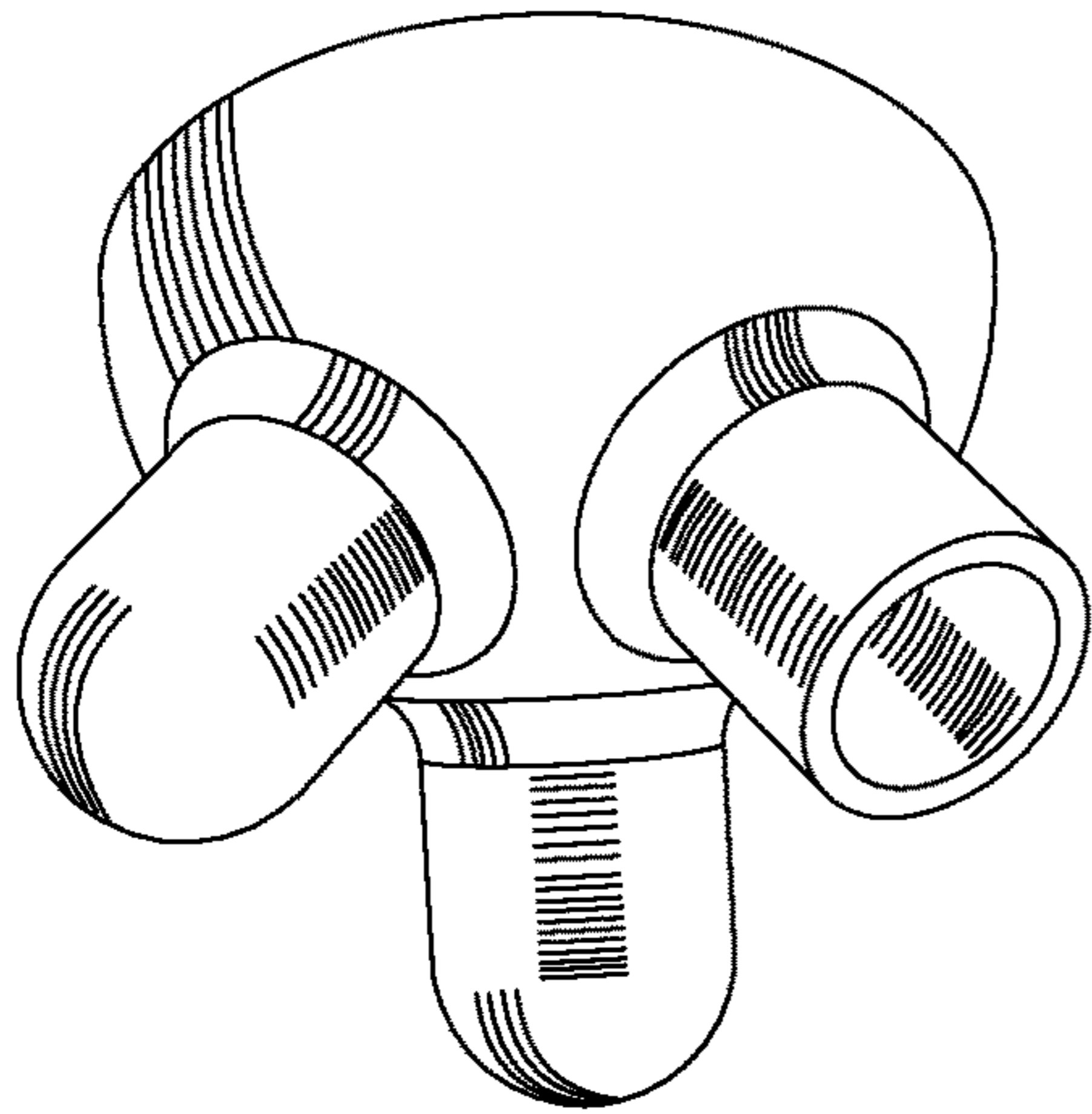


fig 1

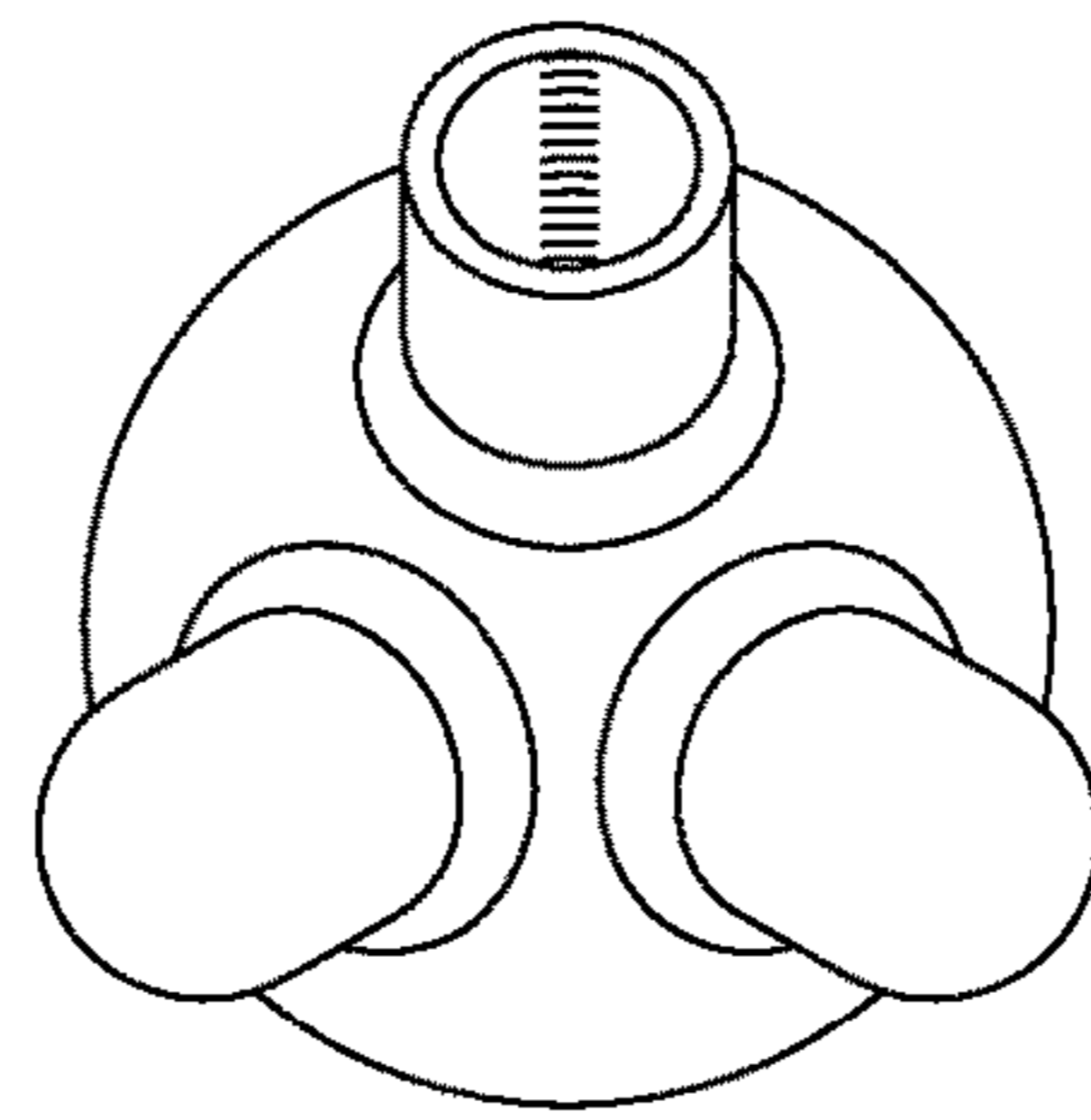


fig 2

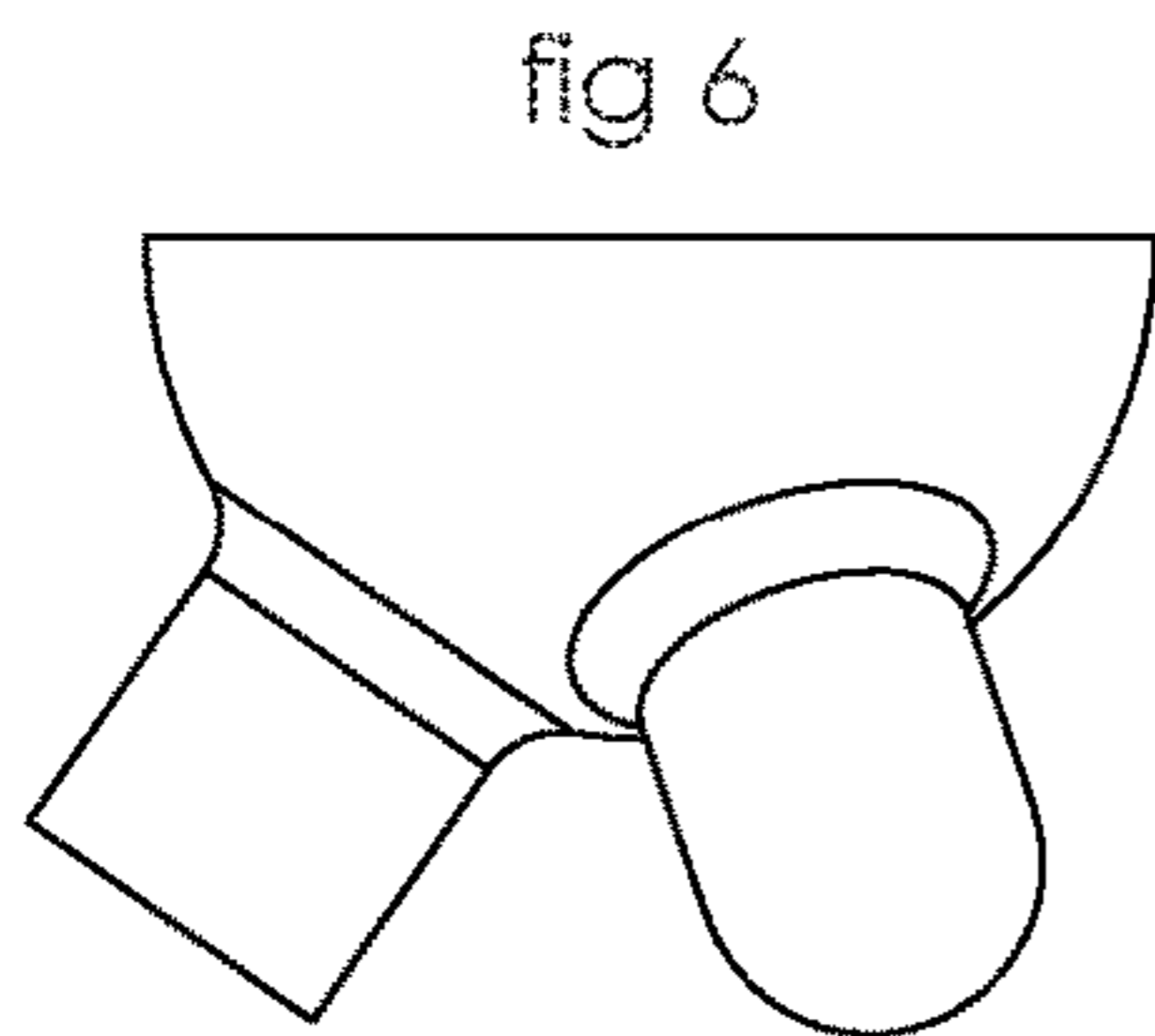


fig 6

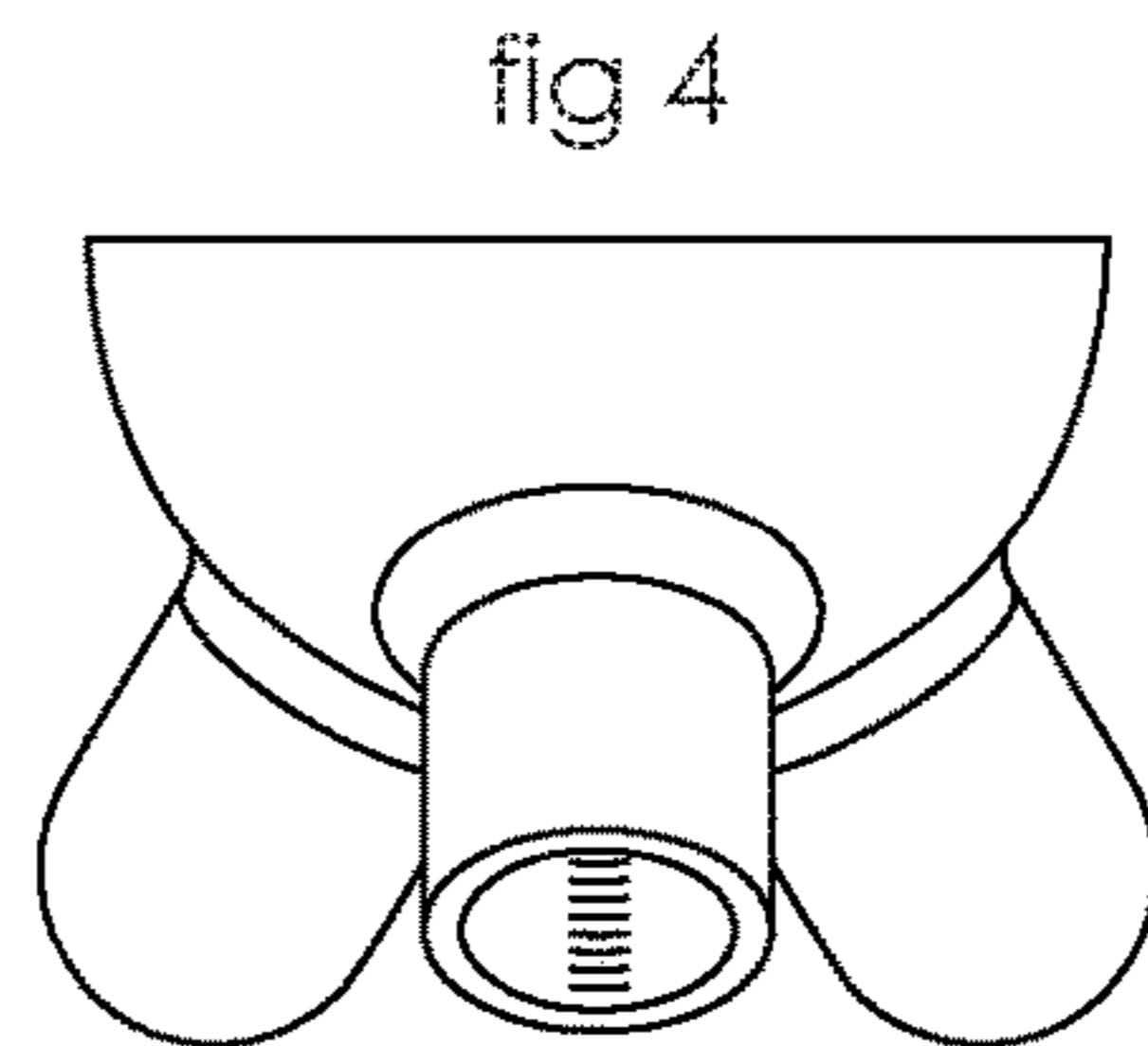


fig 4

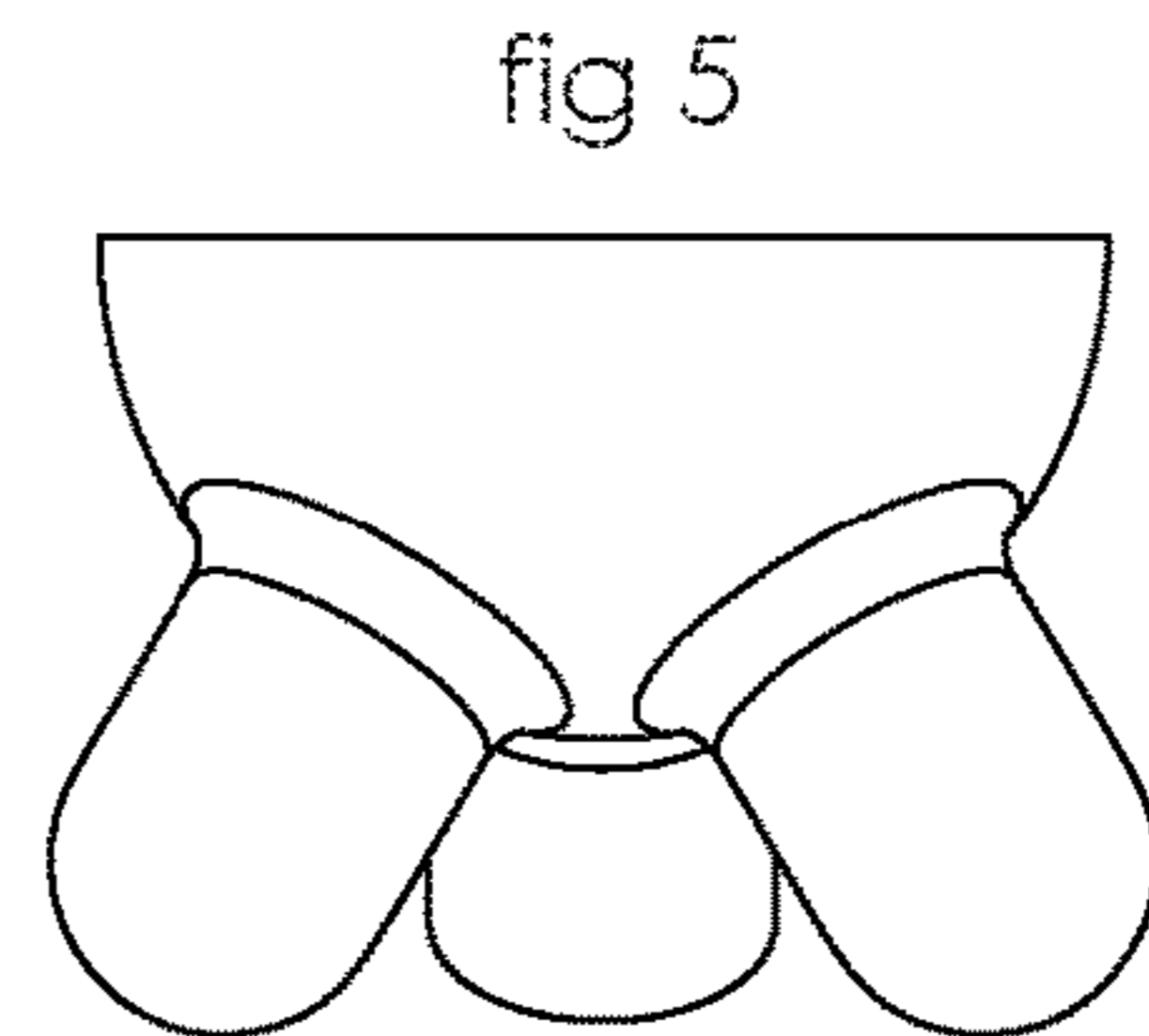


fig 5

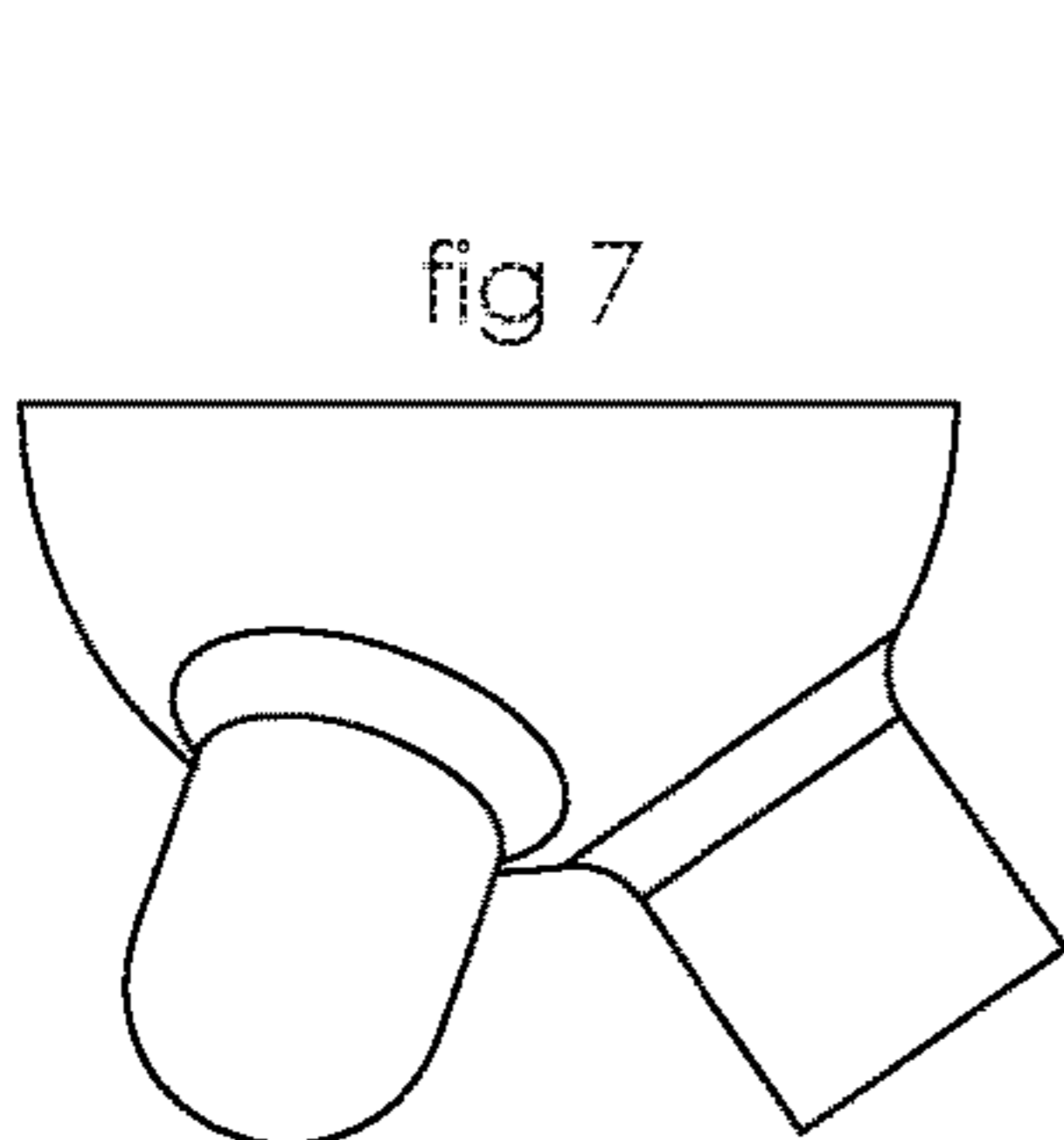


fig 7

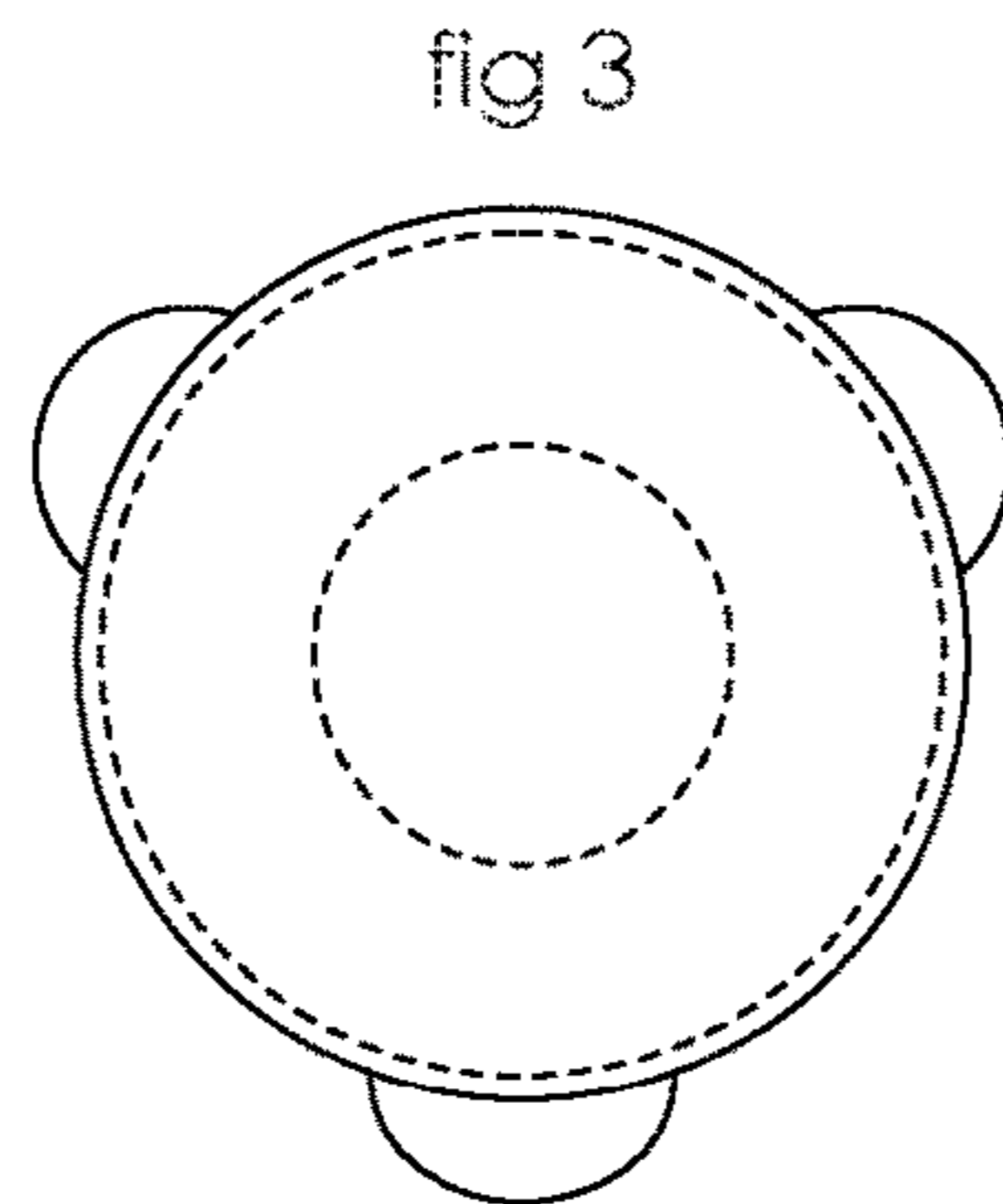


fig 3