



US00D832100S

(12) **United States Design Patent** (10) **Patent No.:** **US D832,100 S**
Deylamian et al. (45) **Date of Patent:** **** Oct. 30, 2018**

(54) **BOTTLE**

(71) Applicant: **OnMyWhey, LLC**, San Jose, CA (US)

(72) Inventors: **Farbod Deylamian**, New York, NY (US); **David Jacobsen**, San Diego, CA (US); **Kyle Lewis**, San Mateo, CA (US); **Kayvon Pourmirzaie**, San Jose, CA (US)

(73) Assignee: **OnMyWhey, LLC**, San Jose, CA (US)

(**) Term: **15 Years**

(21) Appl. No.: **29/636,088**

(22) Filed: **Feb. 6, 2018**

Related U.S. Application Data

(63) Continuation of application No. 29/587,289, filed on Dec. 12, 2016, and a continuation of application No. 29/587,298, filed on Dec. 12, 2016.

(51) **LOC (11) Cl.** **09-07**

(52) **U.S. Cl.**
USPC **D9/443**; D9/454; D8/356

(58) **Field of Classification Search**

USPC D9/434-436, 443, 454, 499, 500-504, D9/516, 529, 549, 558, 715, 719, 722, D9/741, 745-746; D3/203.1-203.2, D3/207-208, 212, 215; D7/391, 507, D7/590, 629-630

CPC B65D 1/00; B65D 1/02; B65D 1/0223; B65D 11/04; B65D 23/00; B65D 23/0003; B65D 51/24; B65D 2313/00; B65D 2501/00; B65D 2501/0009; B65D 2501/0072; A63B 29/02; Y10T 24/45346; Y10T 24/45435

See application file for complete search history.

(56) **References Cited**

U.S. PATENT DOCUMENTS

D315,095 S *	3/1991	Wright	D9/415
D481,937 S *	11/2003	McRae	D9/443
D489,171 S *	5/2004	Jackson	D3/203.2
D606,447 S *	12/2009	West	D11/80
D618,906 S *	7/2010	Covington	D19/67
D653,116 S *	1/2012	McMahon	D9/542
D654,366 S *	2/2012	Presche	D9/504
D680,319 S *	4/2013	Lawrence	D3/207
D690,161 S *	9/2013	Garner	D7/510
D690,772 S *	10/2013	Kado	D20/19
D752,925 S *	4/2016	Lewis	D7/590
D759,480 S *	6/2016	Shugar	D9/436

* cited by examiner

Primary Examiner — Dana Meyrow

(74) *Attorney, Agent, or Firm* — Young Basile Hanlon & MacFarlane, P.C.

(57) **CLAIM**

The ornamental design for a bottle, as shown and described.

DESCRIPTION

FIG. 1 is a first perspective view of a bottle in accordance with the present invention.

FIG. 2 is a second perspective view thereof.

FIG. 3 is a front view thereof.

FIG. 4 is a back view thereof.

FIG. 5 is a left view thereof.

FIG. 6 is a right view thereof.

FIG. 7 is a top view thereof.

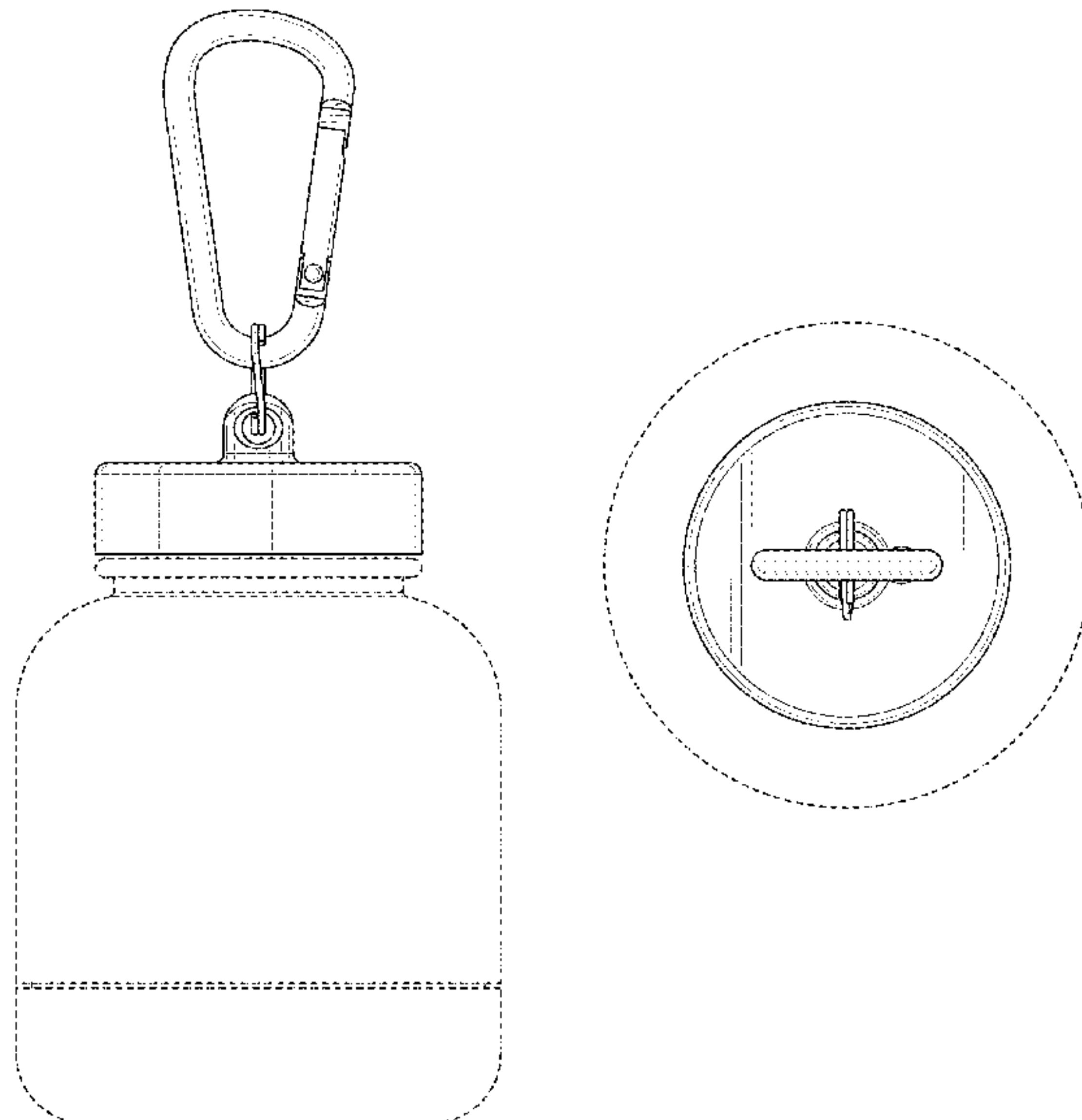
FIG. 8 is a bottom view thereof.

FIG. 9 is a first perspective exploded view thereof; and,

FIG. 10 is a second perspective exploded view thereof.

The broken lines shown in the drawings are included for purposes of illustrating portions of the bottle that form no part of the claimed design.

1 Claim, 9 Drawing Sheets



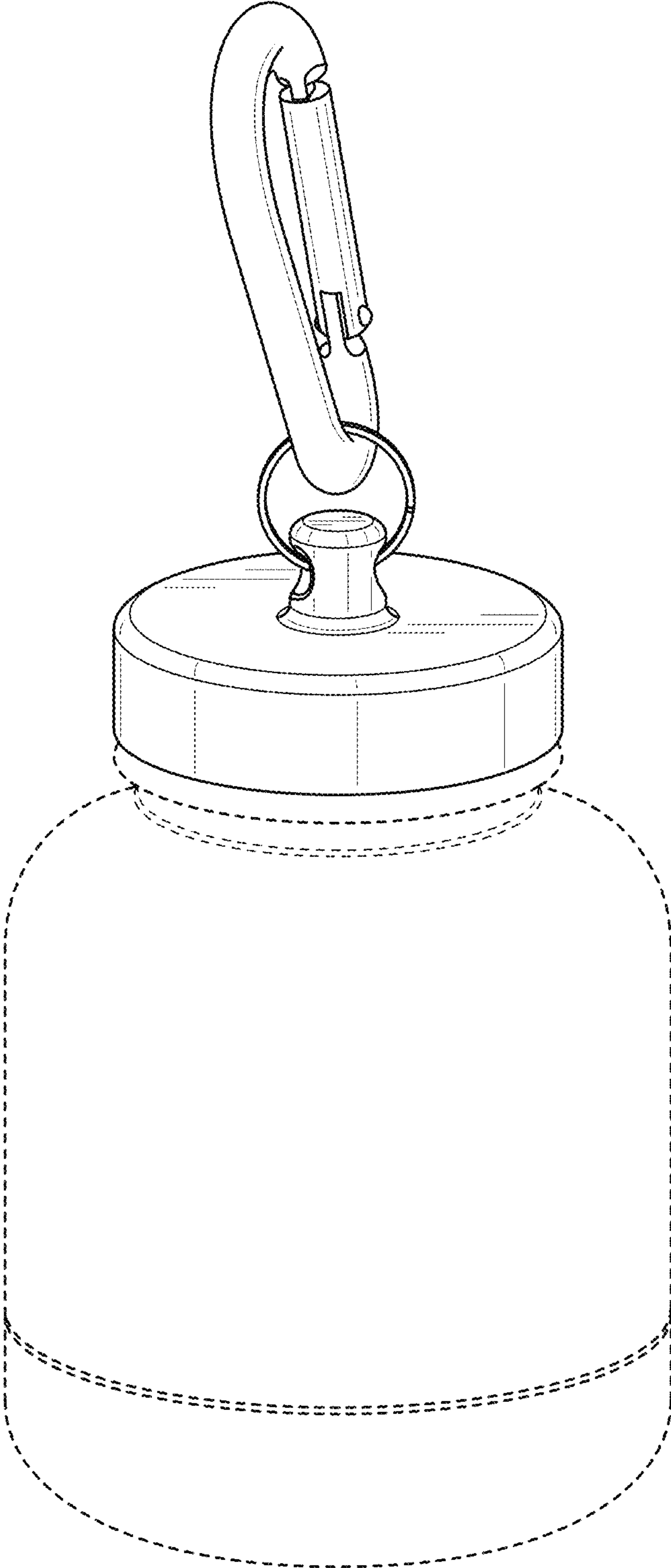


FIG. 1

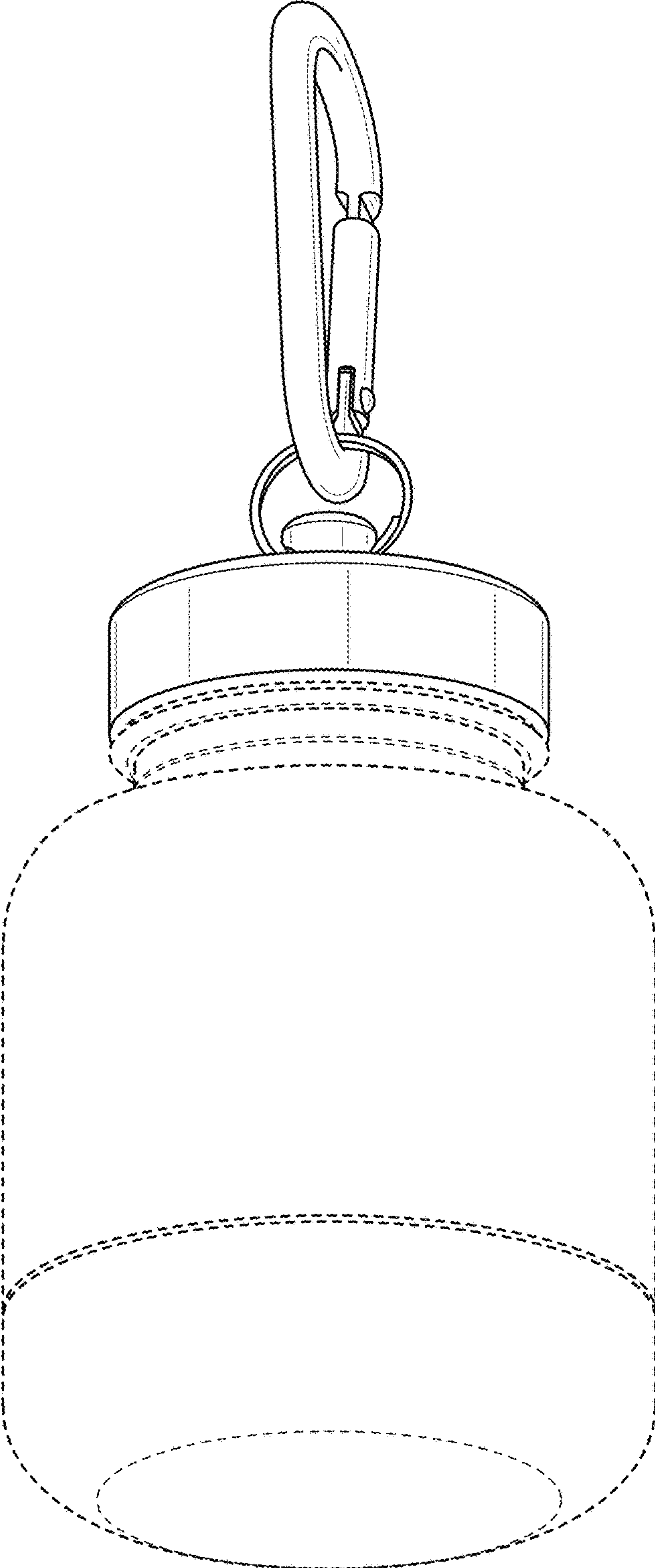


FIG. 2

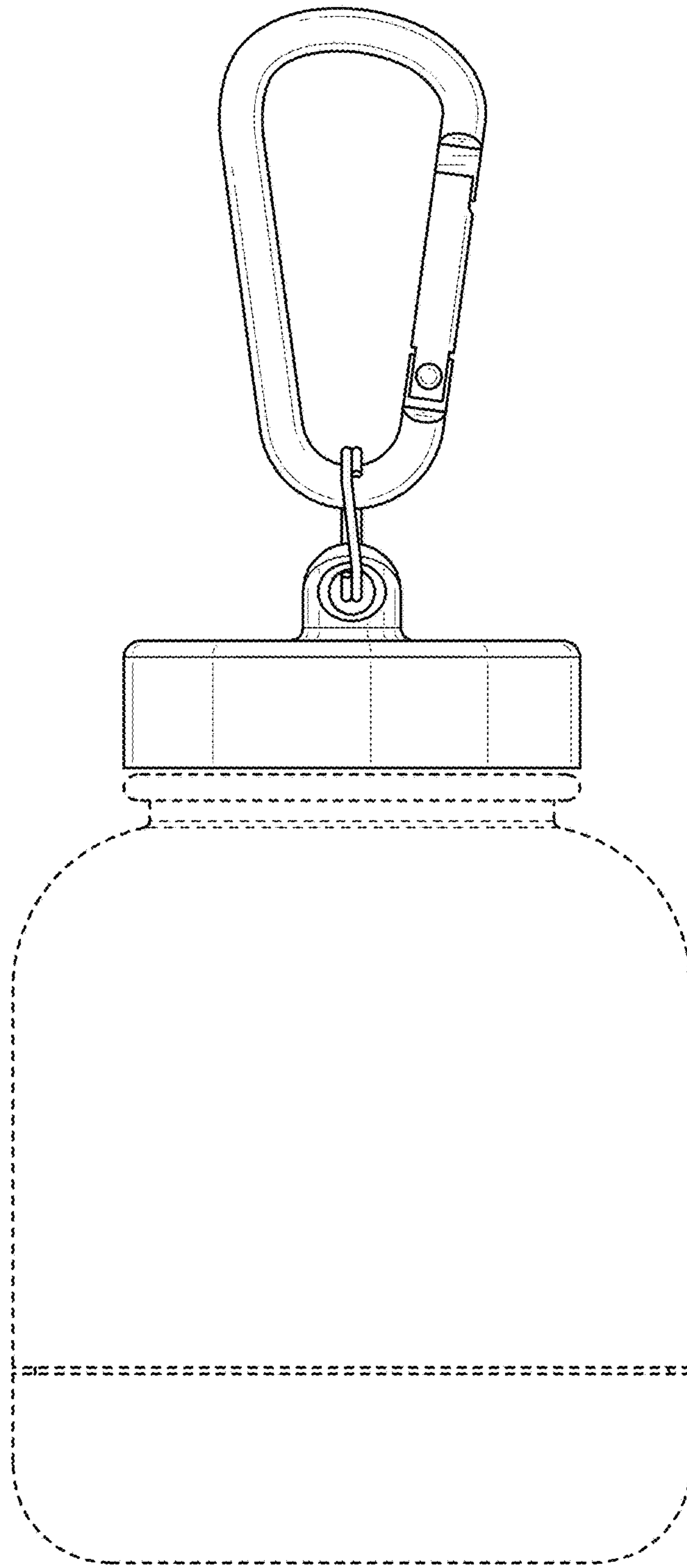


FIG. 3

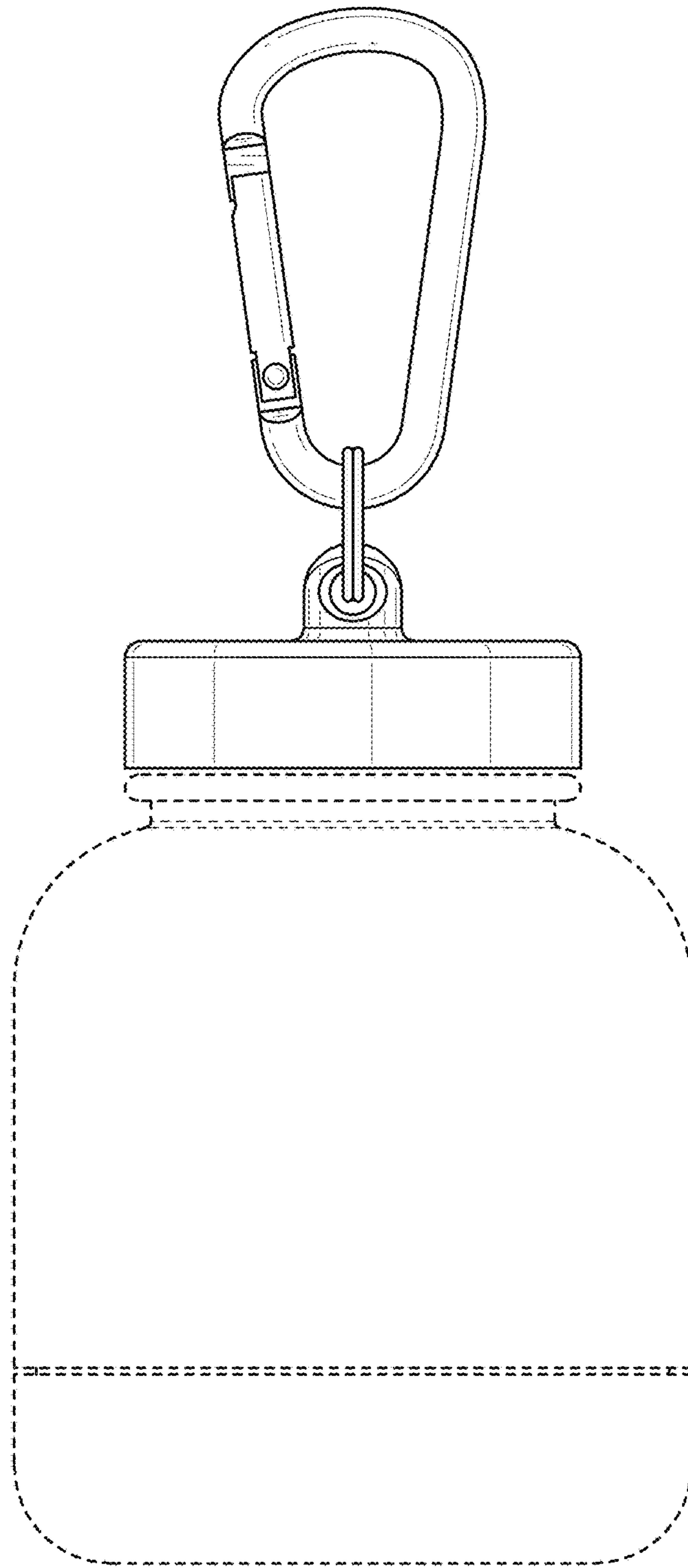


FIG. 4

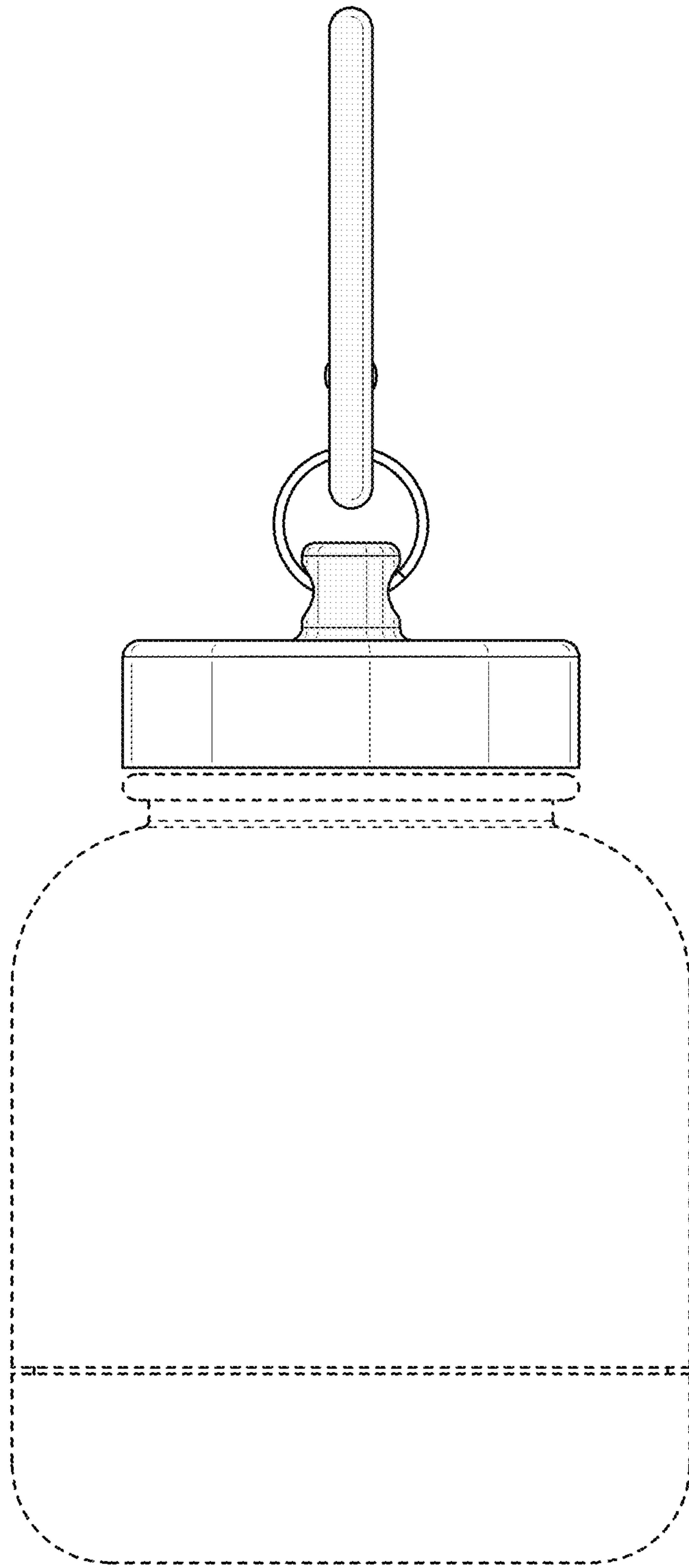


FIG. 5

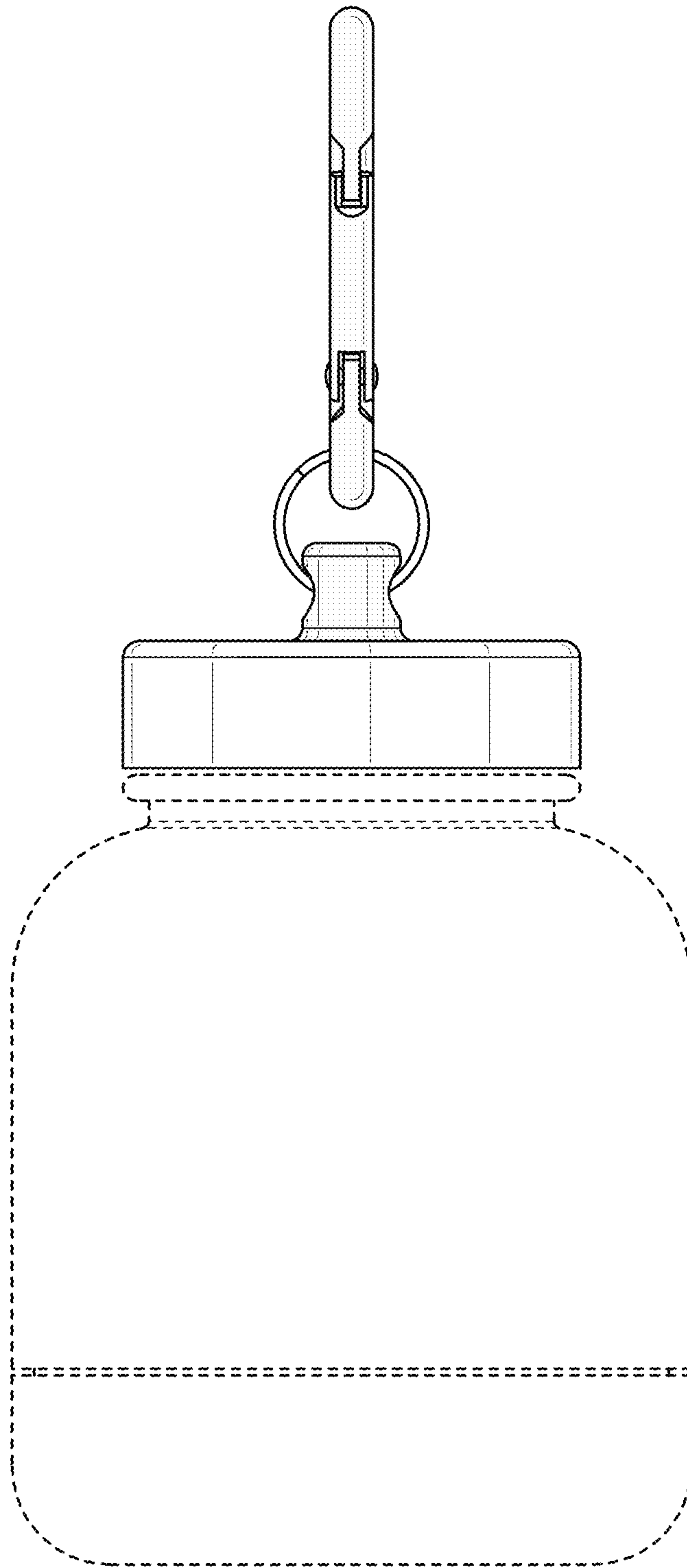


FIG. 6

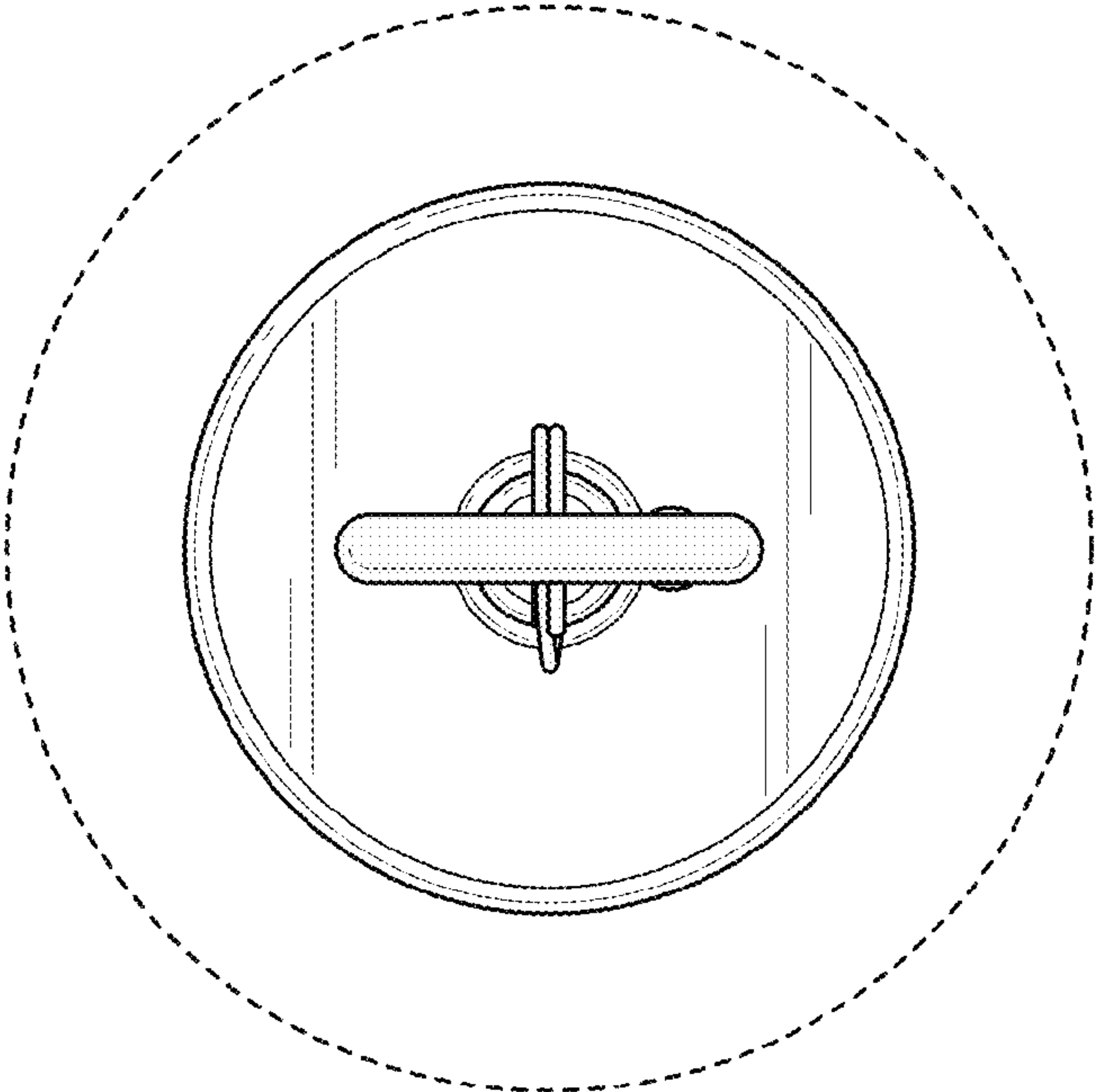


FIG. 7

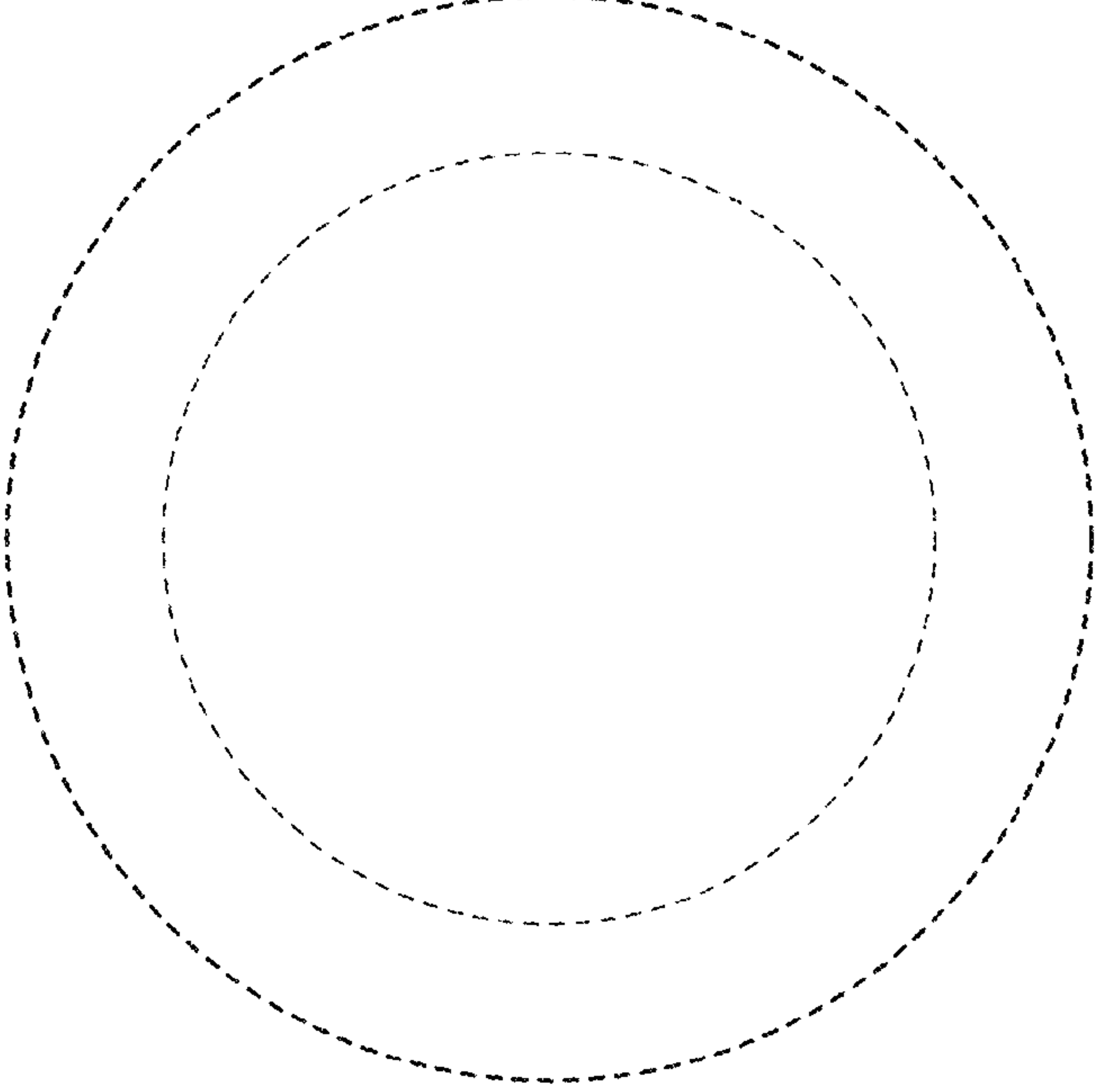


FIG. 8

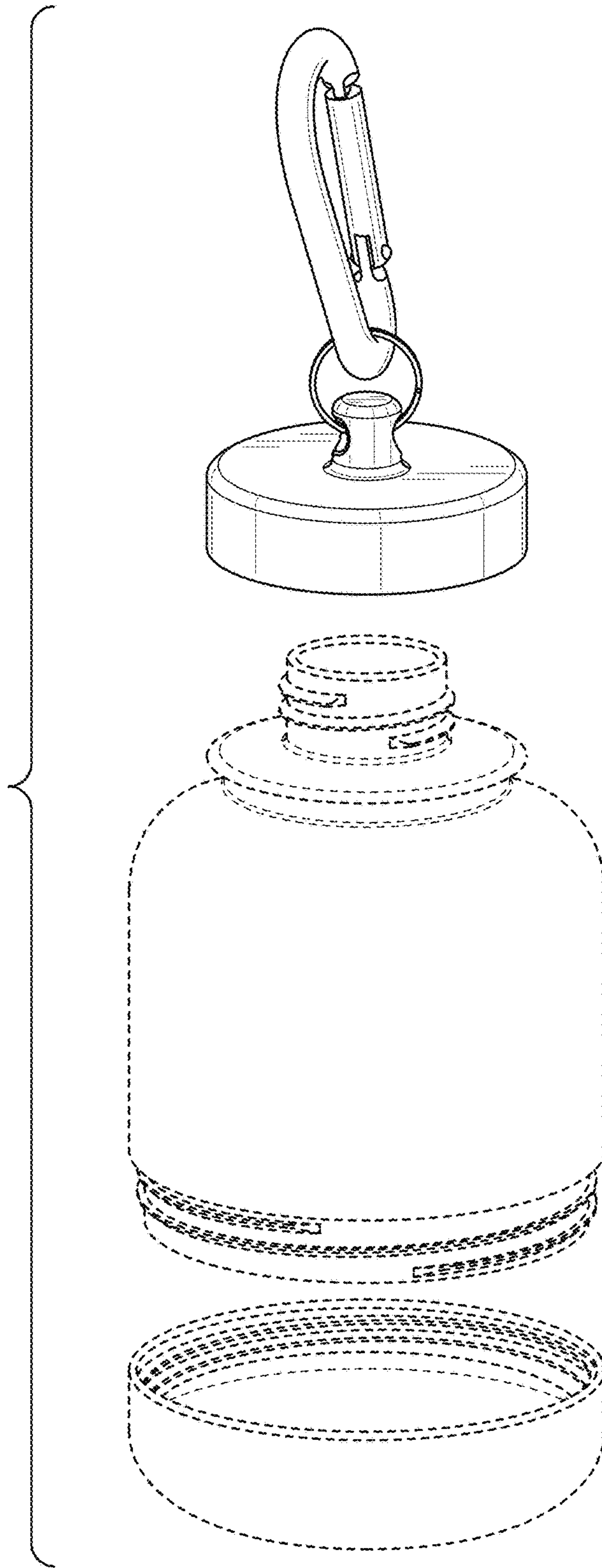


FIG. 9

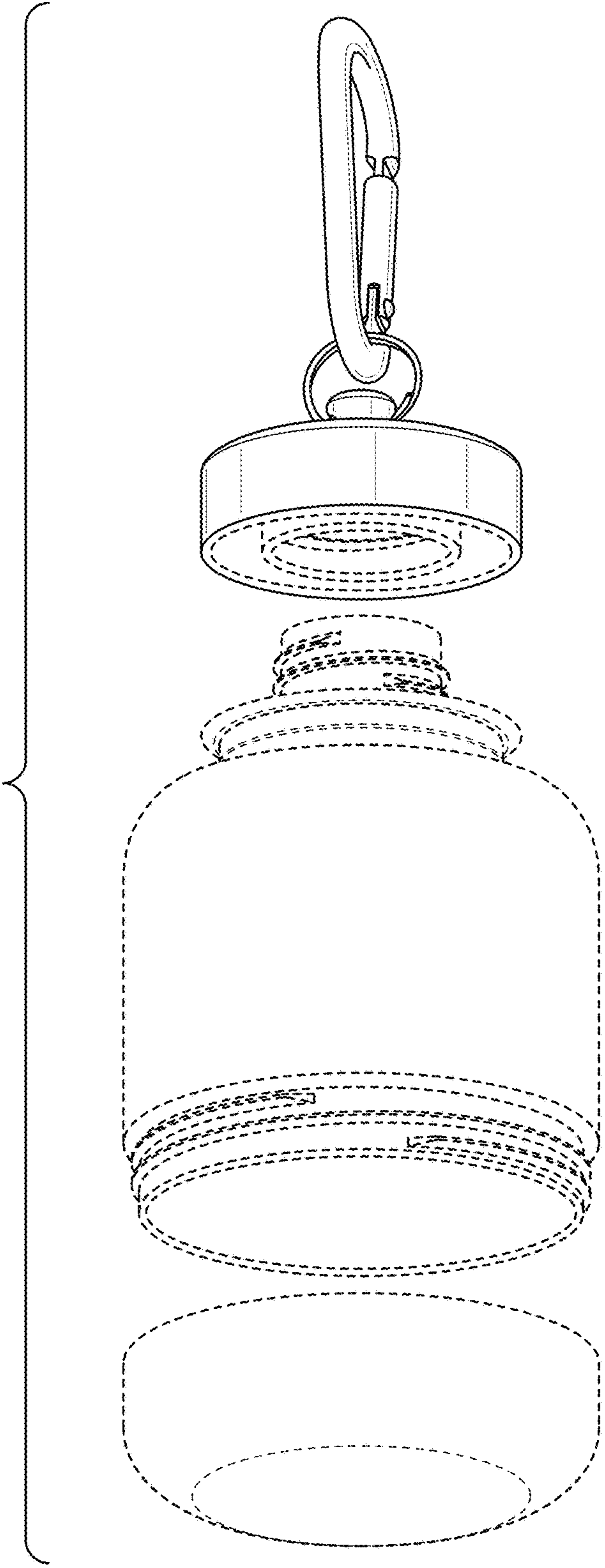


FIG. 10