



US00D832094S

(12) **United States Design Patent**  
**Omori**

(10) **Patent No.:** **US D832,094 S**

(45) **Date of Patent:** **\*\* Oct. 30, 2018**

(54) **NUT**

(71) Applicant: **YAMASHINA CORPORATION**,  
Kyoto (JP)

(72) Inventor: **Takatoshi Omori**, Kyoto (JP)

(73) Assignee: **YAMASHINA CORPORATION**,  
Kyoto (JP)

(\*\*) Term: **15 Years**

(21) Appl. No.: **29/607,509**

(22) Filed: **Jun. 14, 2017**

(30) **Foreign Application Priority Data**

Dec. 22, 2016 (JP) ..... 2016-027967

(51) **LOC (11) Cl.** ..... **08-08**

(52) **U.S. Cl.**  
USPC ..... **D8/397**

(58) **Field of Classification Search**  
USPC ..... D23/259–262, 265; D8/394, 396, 382,  
D8/387, 395, 397, 399  
CPC ..... F16L 19/06; F16L 19/08; F16L 19/061;  
F16B 41/002; F16B 23/0061; F16B  
37/14; F16B 37/145  
See application file for complete search history.

(56) **References Cited**

**U.S. PATENT DOCUMENTS**

D208,428 S *	8/1967	Holliday	411/431
5,628,602 A *	5/1997	Ohsawa	F16B 23/0061 411/405
D482,761 S *	11/2003	Gotoh	D23/233
D511,499 S *	11/2005	Chung	D13/154
D569,955 S *	5/2008	Chen	D23/262
D594,096 S *	6/2009	Bucchi	D23/262
D648,006 S *	11/2011	Morishita	D23/259
D648,008 S *	11/2011	Percoco	D23/262
D717,406 S *	11/2014	Stanley	D23/259

D781,787 S *	3/2017	Spiel	D13/149
D782,620 S *	3/2017	Becker	D23/259
D792,202 S *	7/2017	Baiz	D8/387
2010/0140928 A1 *	6/2010	Becker	F16L 19/10 285/321

**OTHER PUBLICATIONS**

Yueqing Guchuan Electric's product information of prior art nuts, found on the internet at [https://guchuandz.en.alibaba.com/product/60301340060-801823002/press\\_in\\_threaded\\_insert\\_for\\_plastic\\_NFPC\\_NFPA\\_PFLB\\_PKB\\_PPB\\_M6\\_10\\_S7\\_5.html?spm=a2700.8304367.prewdfa4cf.37.73152c54FBZe91](https://guchuandz.en.alibaba.com/product/60301340060-801823002/press_in_threaded_insert_for_plastic_NFPC_NFPA_PFLB_PKB_PPB_M6_10_S7_5.html?spm=a2700.8304367.prewdfa4cf.37.73152c54FBZe91).  
Takene's product information of prior art nuts, found on the Internet at <http://www.takene.co.jp/service1.html>, Admitted Prior Art.  
Yueqing Guchuan Electric's product information of prior art nuts, found on the Internet at [https://guchuandz.en.alibaba.com/product/60301340060-801823002/press\\_in\\_threaded\\_insert\\_for\\_plastic\\_NFPC\\_NFPA\\_PFLB\\_PKB\\_PPB\\_M6\\_10\\_S7\\_5.html?spm=a2700.8304367.prewdfa4cf.37.73152c54FBZe91](https://guchuandz.en.alibaba.com/product/60301340060-801823002/press_in_threaded_insert_for_plastic_NFPC_NFPA_PFLB_PKB_PPB_M6_10_S7_5.html?spm=a2700.8304367.prewdfa4cf.37.73152c54FBZe91), Admitted Prior Art.

\* cited by examiner

*Primary Examiner* — Eric L Goodman

*Assistant Examiner* — Amy C Wierenga

(74) *Attorney, Agent, or Firm* — Capitol City TechLaw

(57) **CLAIM**

The ornamental design for a nut, as shown and described.

**DESCRIPTION**

FIG. 1 is a top perspective view of a nut showing my new design;

FIG. 2 is a bottom perspective view thereof;

FIG. 3 is a front view thereof, the rear view being a mirror image thereof;

FIG. 4 is a left side view thereof, the right side view being a mirror image thereof;

FIG. 5 is a top view thereof; and,

FIG. 6 is a bottom view thereof.

**1 Claim, 6 Drawing Sheets**

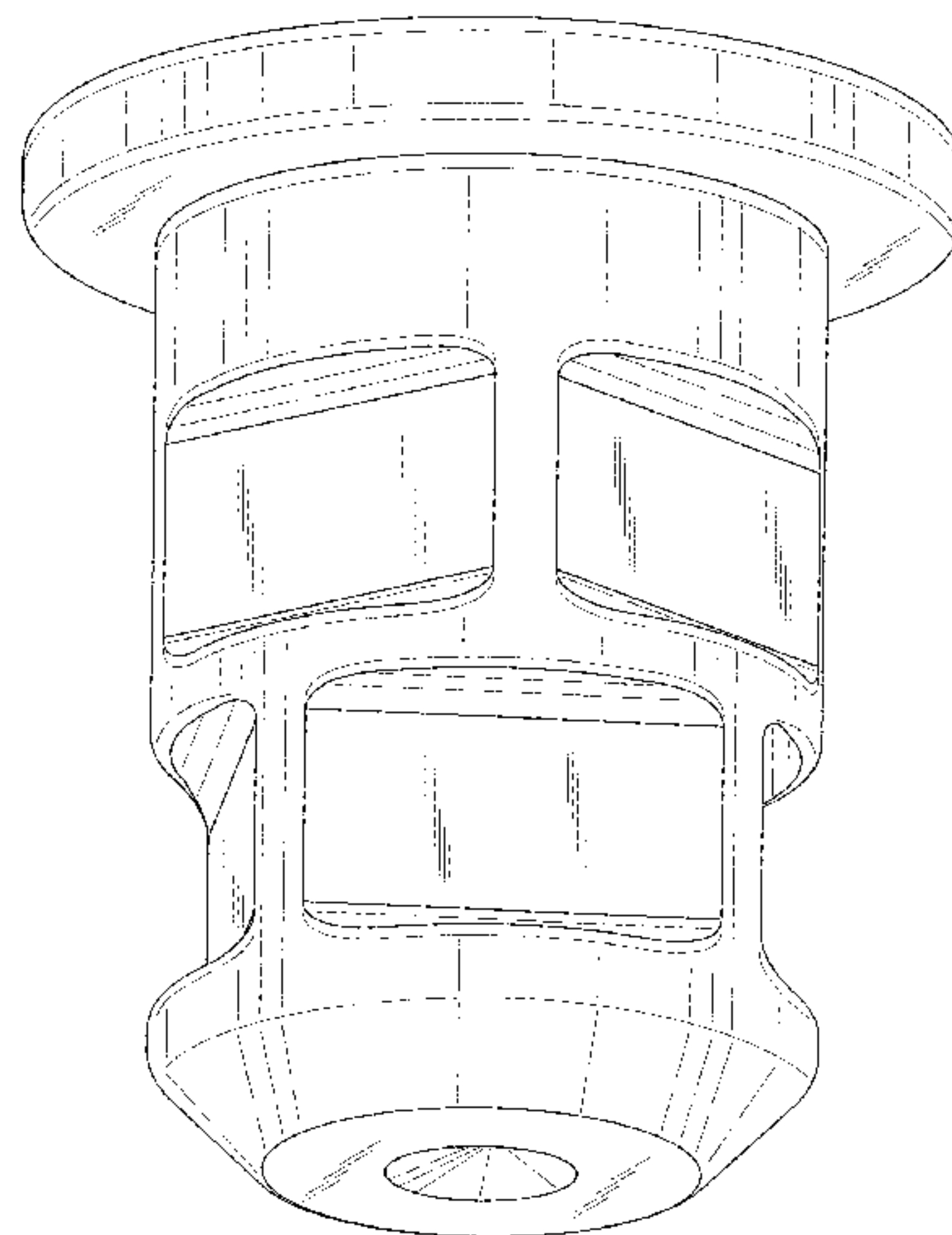
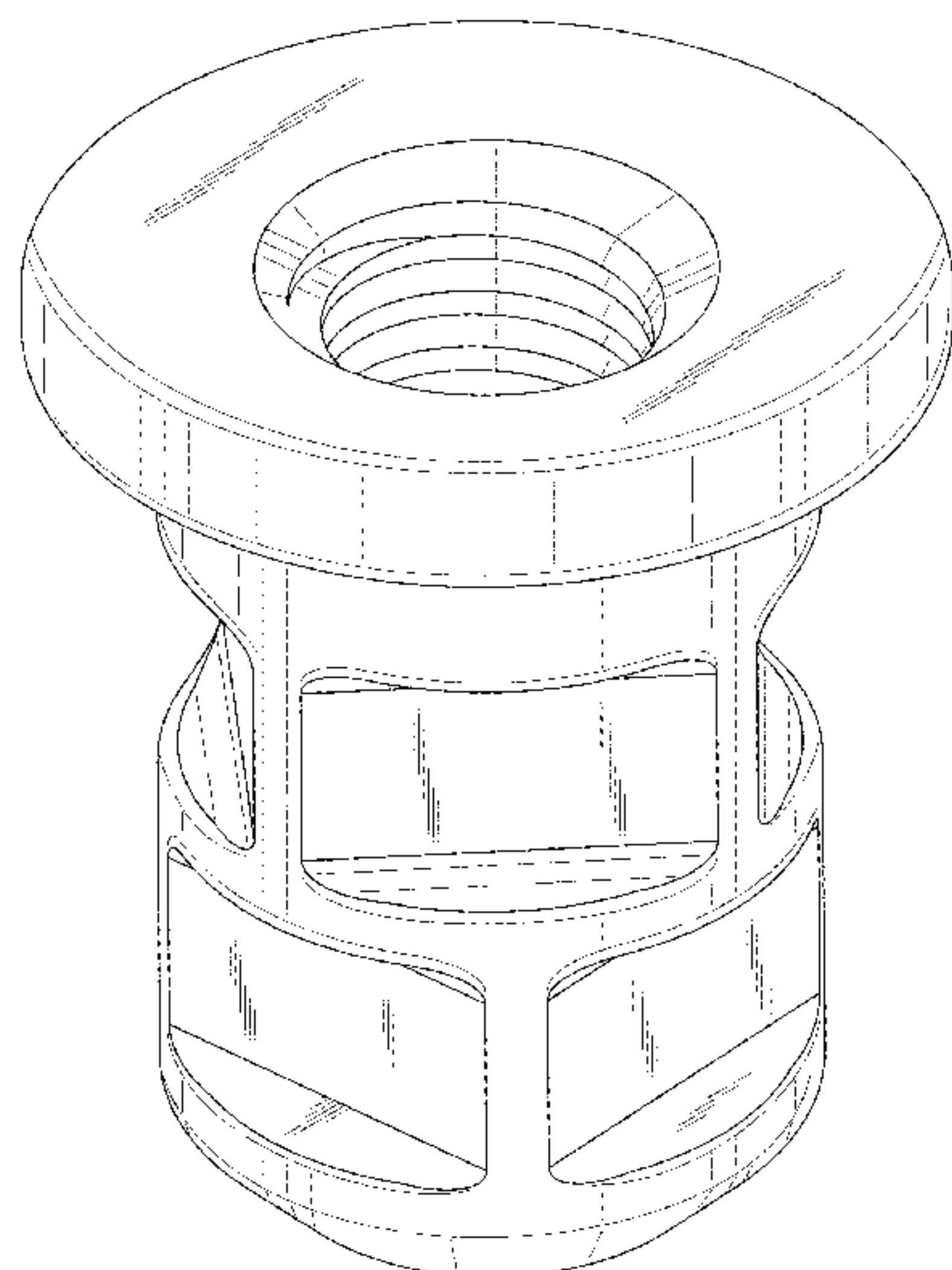


FIG. 1

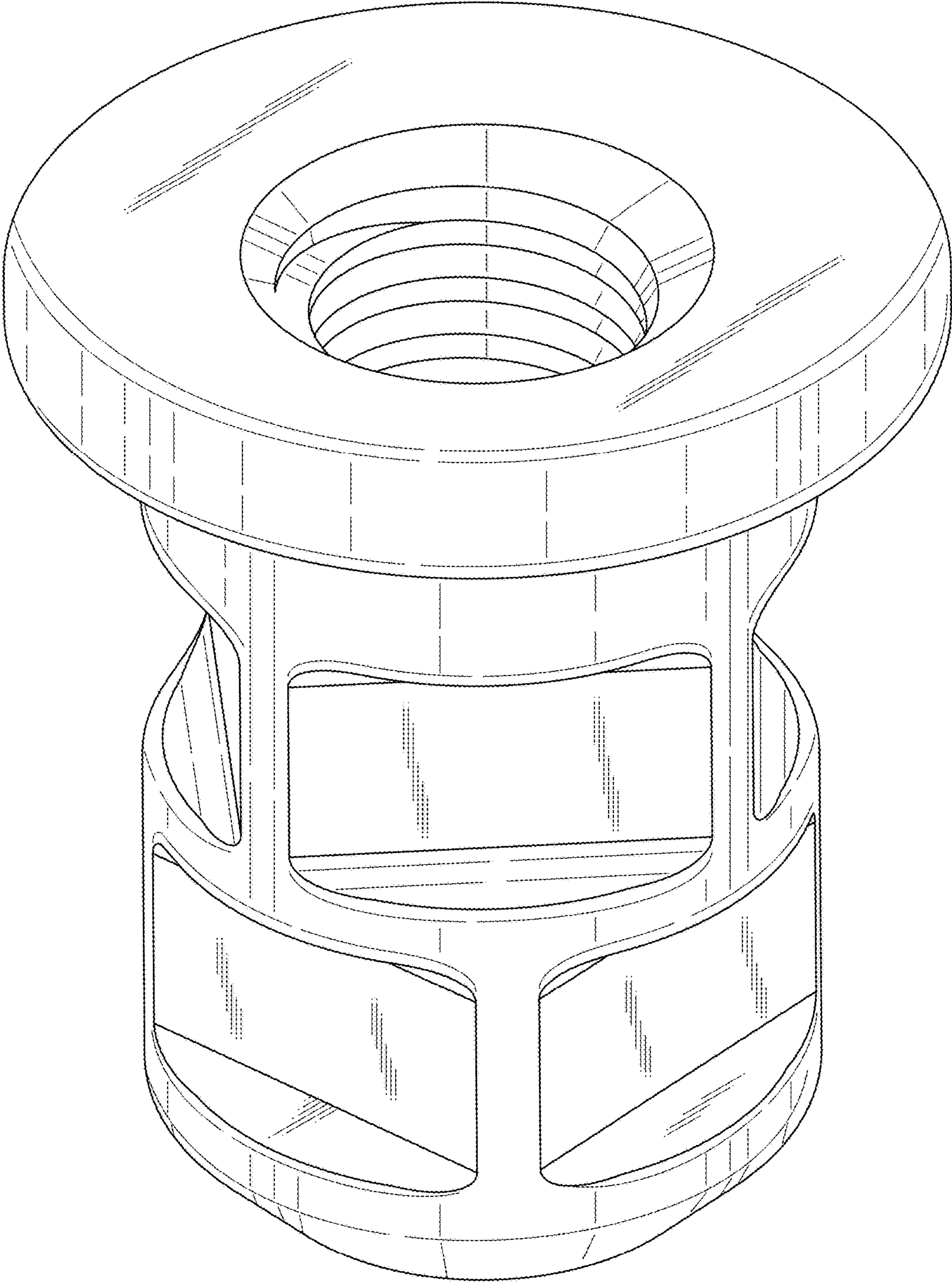


FIG. 2

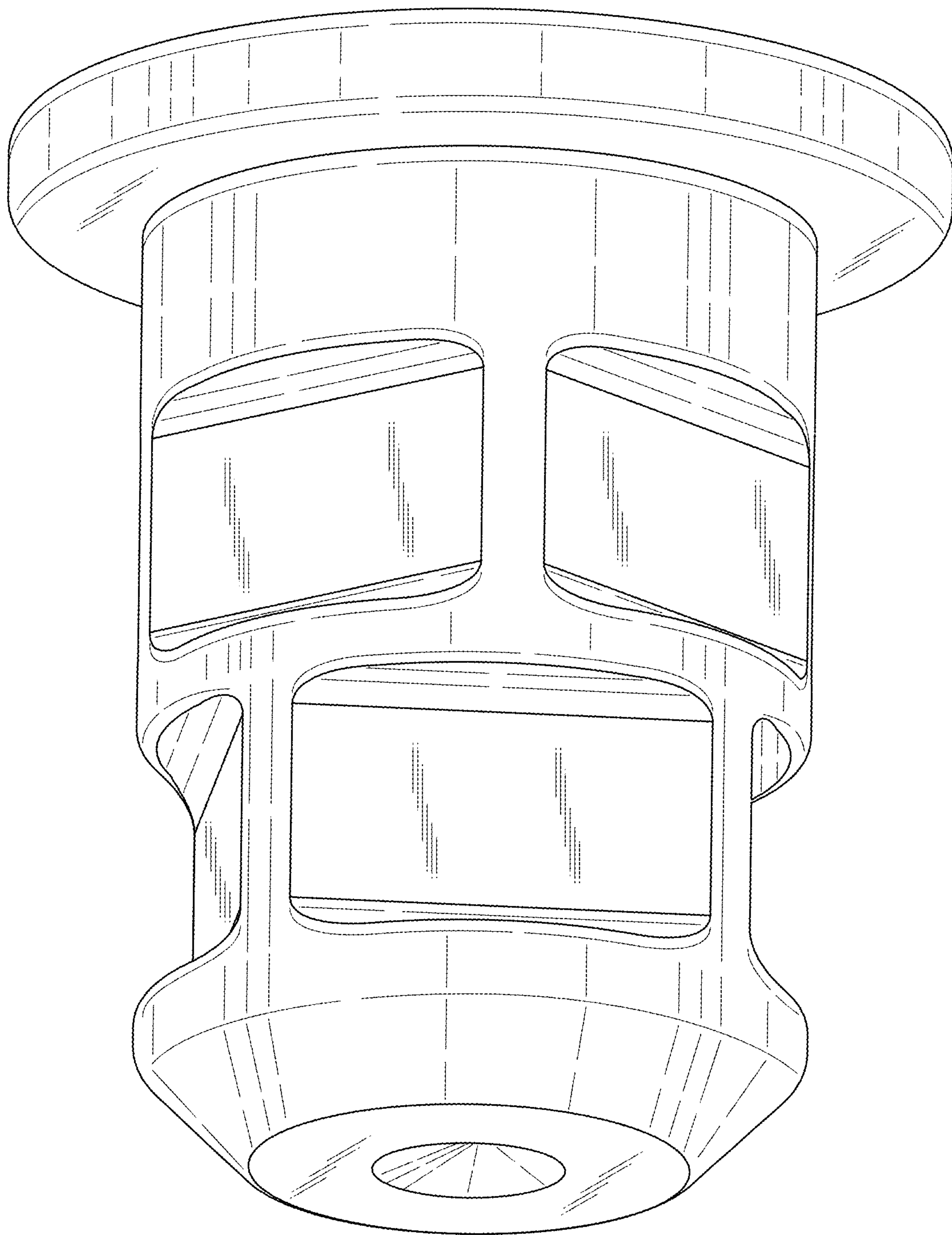




FIG. 3

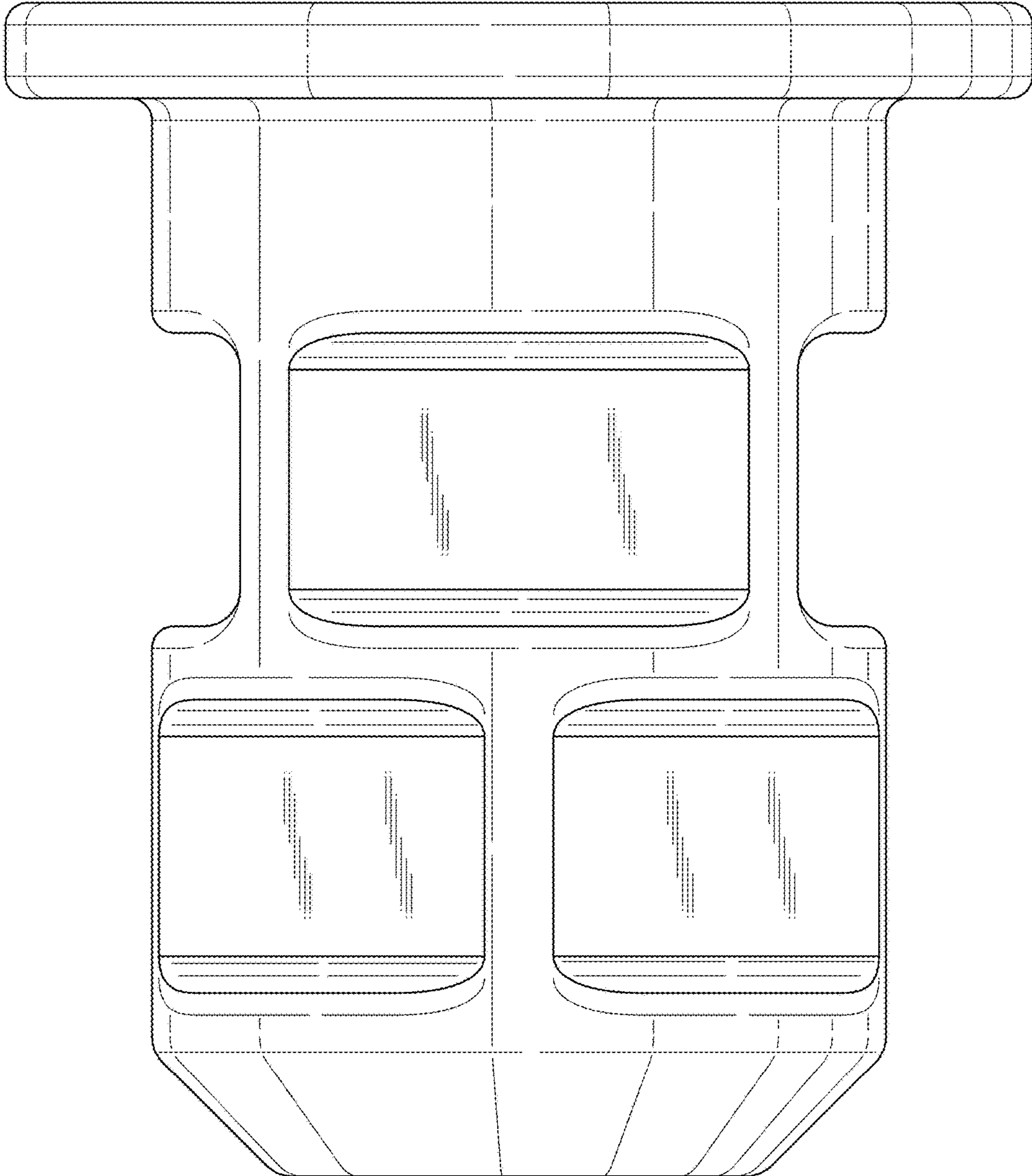


FIG. 4

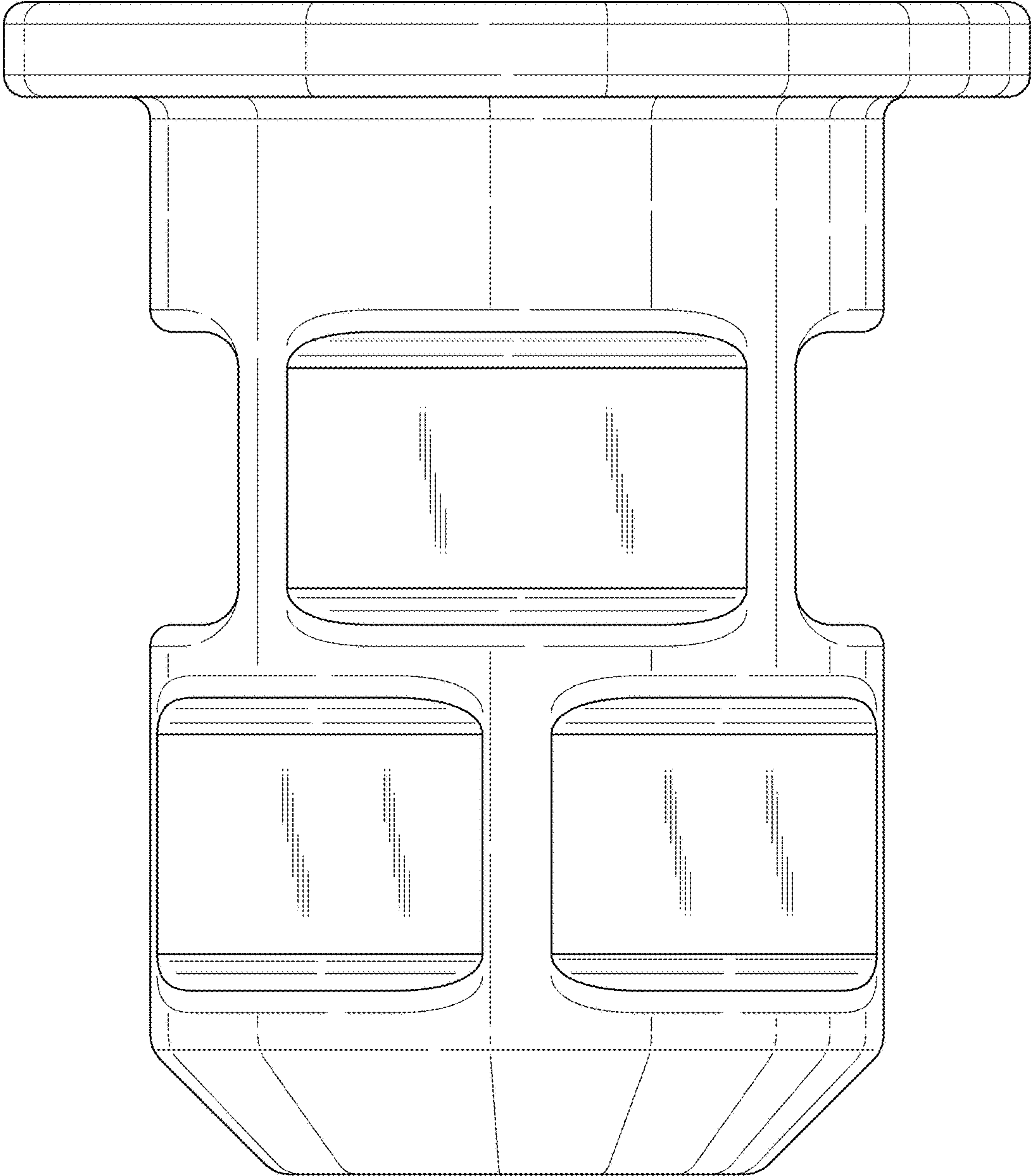


FIG. 5

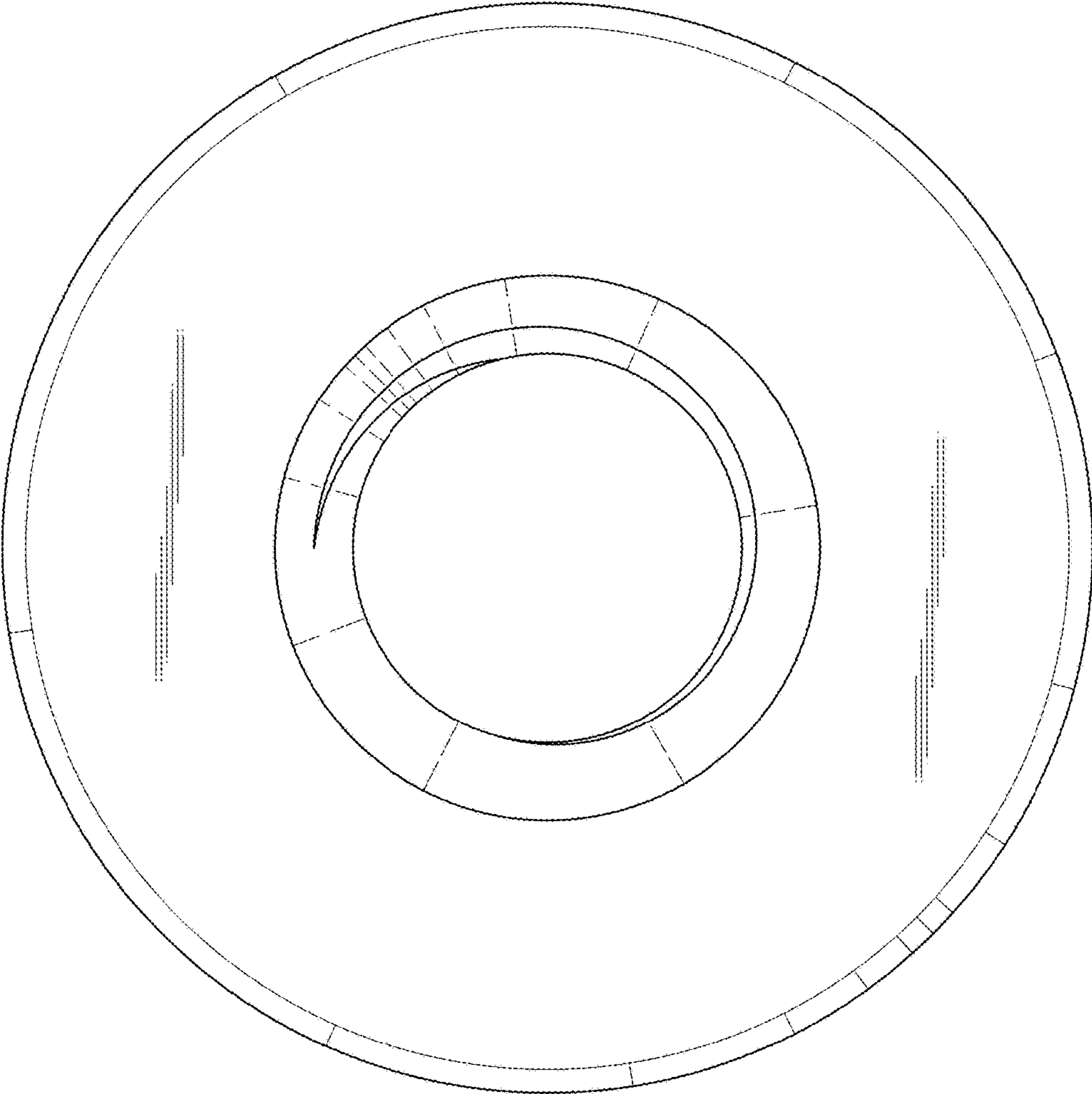


FIG. 6

