



US00D832091S

(12) **United States Design Patent**
Heindl

(10) **Patent No.:** **US D832,091 S**
(45) **Date of Patent:** **** Oct. 30, 2018**

- (54) **SHEET PILE CONNECTOR**
- (71) Applicant: **Richard Heindl**, Gräfelfing (DE)
- (72) Inventor: **Richard Heindl**, Gräfelfing (DE)
- (**) Term: **15 Years**
- (21) Appl. No.: **29/614,417**
- (22) Filed: **Aug. 18, 2017**
- (30) **Foreign Application Priority Data**

| | | | | |
|--------------|--------|--------|-------|--------|
| D542,635 S * | 5/2007 | Heindl | | D8/382 |
| D542,636 S | 5/2007 | Heindl | | |
| D542,637 S * | 5/2007 | Heindl | | D8/382 |
| D542,638 S * | 5/2007 | Heindl | | D8/382 |
| D542,639 S * | 5/2007 | Heindl | | D8/382 |
| D542,640 S * | 5/2007 | Heindl | | D8/382 |
| D542,641 S * | 5/2007 | Heindl | | D8/382 |
| D542,643 S | 5/2007 | Heindl | | |
| D543,097 S * | 5/2007 | Heindl | | D8/382 |
| D543,098 S * | 5/2007 | Heindl | | D8/382 |
| D543,099 S * | 5/2007 | Heindl | | D8/382 |
| D543,100 S | 5/2007 | Heindl | | |
| D543,101 S | 5/2007 | Heindl | | |
| D543,444 S * | 5/2007 | Heindl | | D8/382 |
| 7,527,456 B2 | 5/2009 | Heindl | | |

(Continued)

Feb. 20, 2017 (EM) 003759695-0008

- (51) **LOC (11) Cl.** **08-08**
- (52) **U.S. Cl.**
USPC **D8/382**
- (58) **Field of Classification Search**
USPC D8/382, 394, 395; 825/119
CPC E02D 5/02; E02D 5/04; E02D 5/06; E02D
5/08; E02D 5/12; Y10T 403/73
See application file for complete search history.

(56) **References Cited**

U.S. PATENT DOCUMENTS

| | | | | |
|--------------|---------|----------------|-------|---------|
| 3,225,407 A | 12/1965 | Daniels et al. | | |
| D401,005 S * | 11/1998 | Ludbrook | | D26/138 |
| D421,137 S | 2/2000 | Marshall | | |
| 6,428,244 B1 | 8/2002 | Wall | | |
| D471,083 S | 3/2003 | Wall | | |
| D471,793 S | 3/2003 | Wall | | |
| D471,794 S | 3/2003 | Wall | | |
| D472,455 S * | 4/2003 | Wall | | D25/119 |
| D517,905 S * | 3/2006 | Wall | | D8/382 |
| D540,660 S * | 4/2007 | Heindl | | D8/382 |
| D540,661 S * | 4/2007 | Heindl | | D8/382 |
| D541,639 S * | 5/2007 | Heindl | | D8/382 |
| D541,640 S * | 5/2007 | Heindl | | D8/382 |
| D541,641 S * | 5/2007 | Heindl | | D8/382 |
| D541,642 S | 5/2007 | Heindl | | |
| D542,634 S * | 5/2007 | Heindl | | D8/382 |

OTHER PUBLICATIONS

Non-final Office Action issued in co-pending U.S. Appl. No. 29/608,190, dated May 15, 2018.

(Continued)

Primary Examiner — David Muller
Assistant Examiner — Nathan Johnston
(74) *Attorney, Agent, or Firm* — Meunier Carlin & Curfman LLC

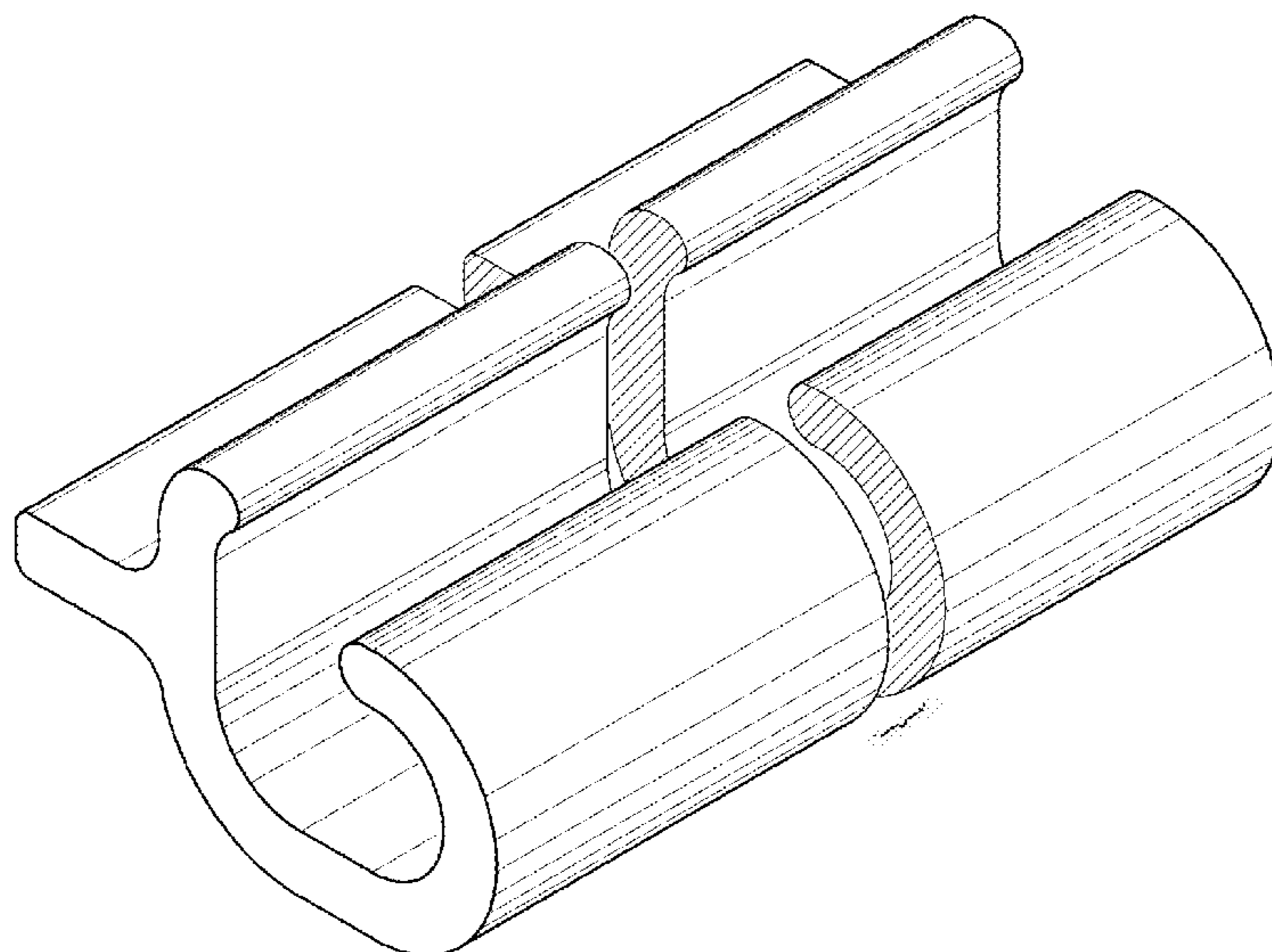
(57) **CLAIM**

The ornamental design for a sheet pile connector, as shown and described.

DESCRIPTION

FIG. 1 illustrates a front perspective view of my design; and, FIG. 2 illustrates a left side view of the design shown in FIG. 1.
The appearance of any portion of the article between the break lines shown in FIG. 1 forms no part of the claimed design.

1 Claim, 2 Drawing Sheets



(56)

References Cited

U.S. PATENT DOCUMENTS

| | | | | |
|--------------|------|---------|------------|----------------------------|
| D621,248 | S | 8/2010 | Heindl | |
| D623,930 | S | 9/2010 | Austro | |
| D623,932 | S | 9/2010 | Austro | |
| D624,395 | S | 9/2010 | Austro | |
| D626,826 | S * | 11/2010 | Austro | D8/382 |
| D626,827 | S * | 11/2010 | Austro | D8/382 |
| D649,443 | S | 11/2011 | Heindl | |
| D665,660 | S | 8/2012 | Heindl | |
| D666,484 | S | 9/2012 | Heindl | |
| D681,424 | S | 5/2013 | Heindl | |
| D681,427 | S | 5/2013 | Heindl | |
| D681,431 | S | 5/2013 | Heindl | |
| D704,769 | S | 5/2014 | Penington | |
| D790,330 | S | 6/2017 | Heindl | |
| D794,245 | S | 8/2017 | Klus | |
| D798,134 | S * | 9/2017 | Heindl | D8/382 |
| D811,866 | S * | 3/2018 | Heindl | D8/382 |
| 2008/0219776 | A1 * | 9/2008 | Heindl | E02D 5/08 405/279 |
| 2014/0112725 | A1 * | 4/2014 | Wendt | E02D 5/06 405/279 |
| 2018/0044874 | A1 * | 2/2018 | Courtright | E02D 5/14 |

OTHER PUBLICATIONS

Non-final Office Action issued in co-pending U.S. Appl. No. 29/588,000 dated Sep. 20, 2017.

Notice of Allowance issued in co-pending U.S. Appl. No. 29/593,004 dated Nov. 9, 2017.

* cited by examiner

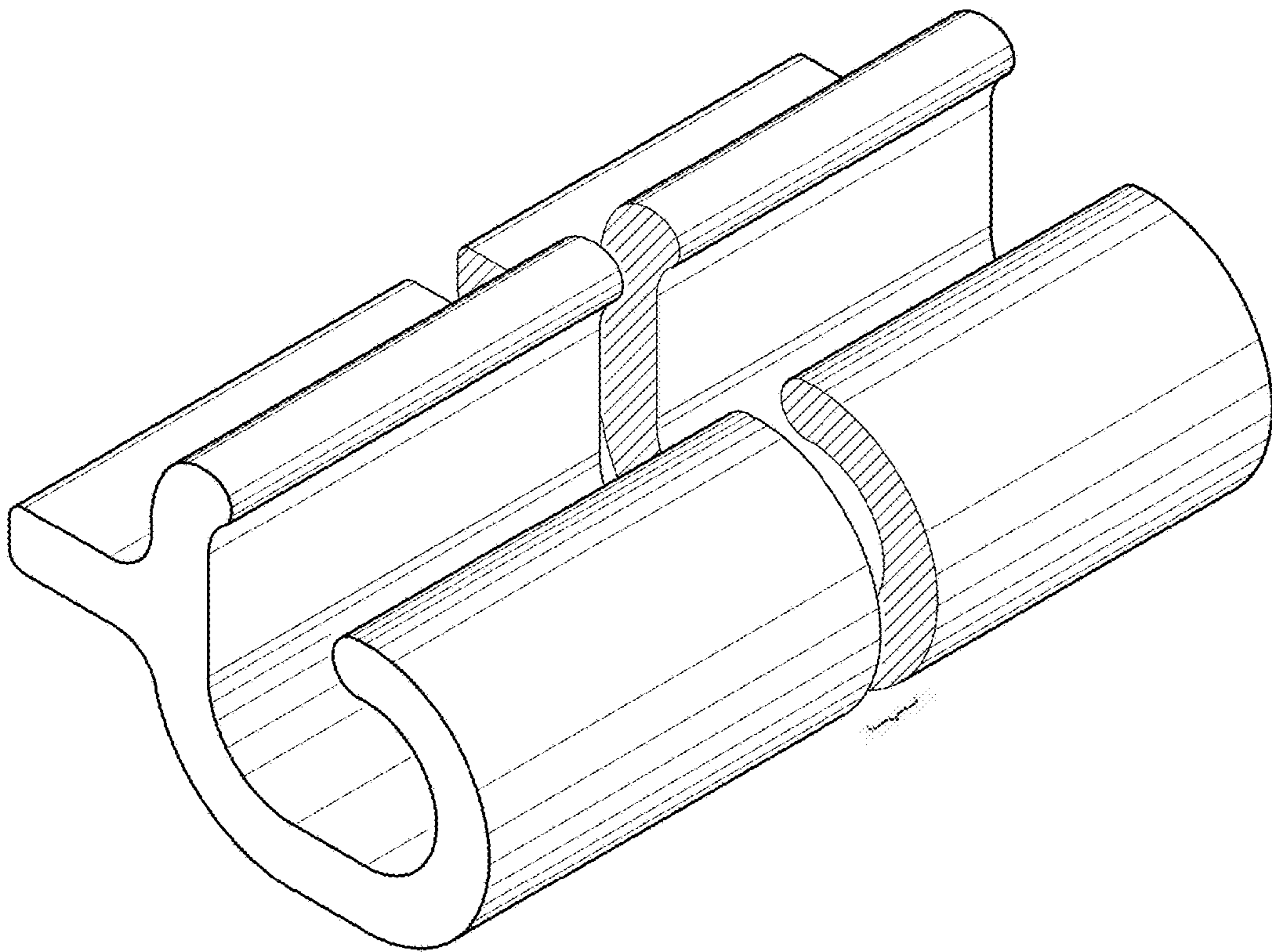


FIG. 1

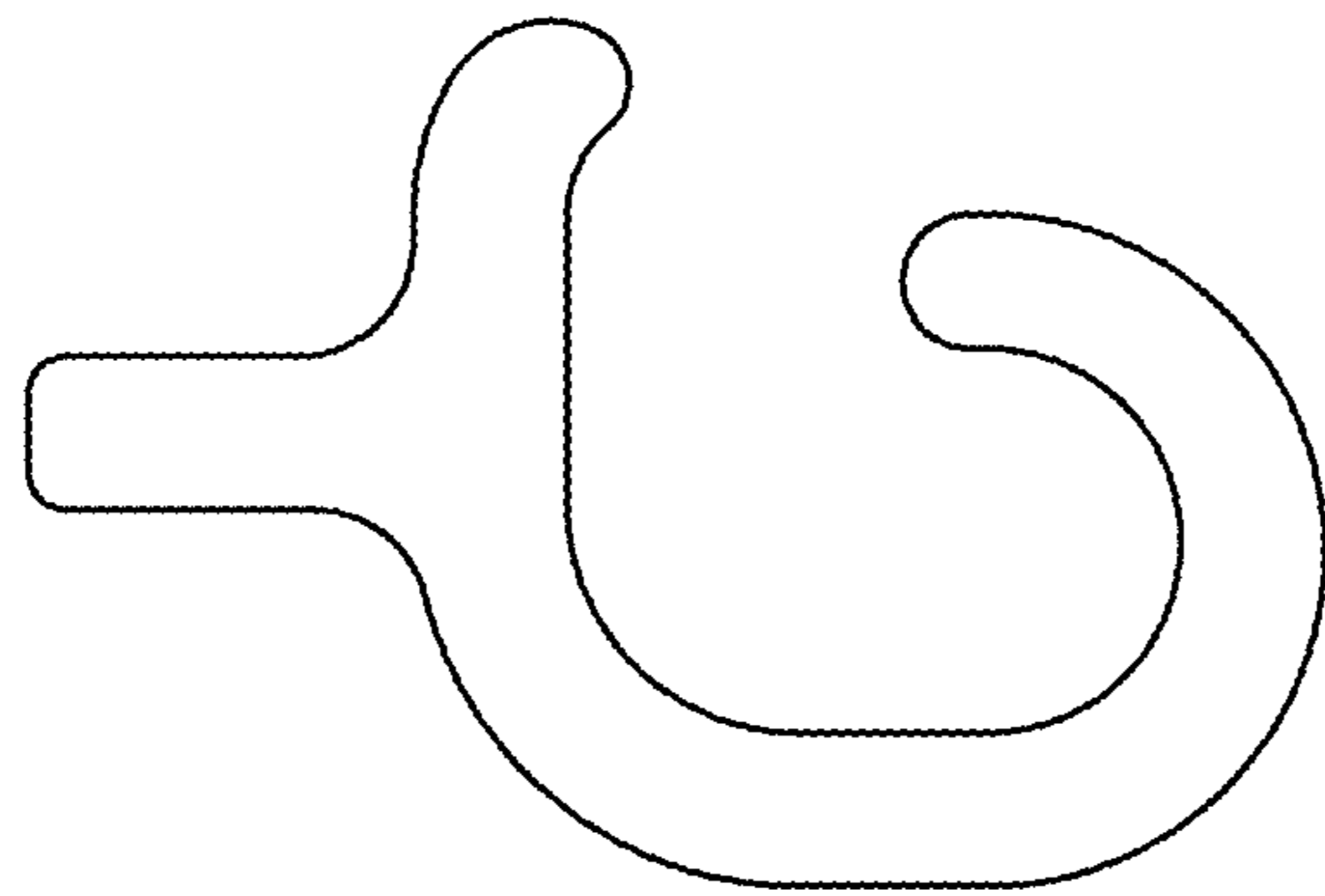


FIG. 2