



US00D832089S

(12) **United States Design Patent** (10) **Patent No.:** **US D832,089 S**  
**Heindl** (45) **Date of Patent:** **\*\* Oct. 30, 2018**

(54) **SHEET PILE CONNECTOR**  
(71) Applicant: **Richard Heindl**, Gräfelfing (DE)  
(72) Inventor: **Richard Heindl**, Gräfelfing (DE)  
(\*\*) Term: **15 Years**  
(21) Appl. No.: **29/614,414**  
(22) Filed: **Aug. 18, 2017**  
(30) **Foreign Application Priority Data**

7,527,456 B2 5/2009 Heindl  
D621,248 S \* 8/2010 Heindl ..... D8/382  
D623,930 S \* 9/2010 Austro  
D623,932 S \* 9/2010 Austro  
D624,395 S \* 9/2010 Austro  
D640,533 S \* 6/2011 Austro ..... D8/382  
D640,534 S \* 6/2011 Austro ..... D8/382  
D649,443 S 11/2011 Heindl  
D665,658 S \* 8/2012 Heindl ..... D8/382  
D665,660 S \* 8/2012 Heindl ..... D8/382  
D666,484 S \* 9/2012 Heindl ..... D8/382  
D681,424 S \* 5/2013 Heindl ..... D8/382  
D681,425 S \* 5/2013 Heindl ..... D8/382  
D681,426 S \* 5/2013 Heindl ..... D8/382  
D681,427 S \* 5/2013 Heindl ..... D8/382

Feb. 20, 2017 (EM) ..... 003759695-0005

(51) **LOC (11) Cl.** ..... **08-08**  
(52) **U.S. Cl.**  
USPC ..... **D8/382**  
(58) **Field of Classification Search**  
USPC ..... D8/382, 394, 395; D25/119  
CPC .... E02D 5/02; E02D 5/04; E02D 5/06; E02D  
5/08; E02D 5/12; Y10T 403/73  
See application file for complete search history.

(56) **References Cited**

**U.S. PATENT DOCUMENTS**

3,225,407 A 12/1965 Daniels et al.  
D242,986 S \* 1/1977 Inglis ..... D8/363  
D331,007 S \* 11/1992 Roick ..... D8/367  
D421,137 S 2/2000 Marshall  
6,428,244 B1 8/2002 Wall  
D471,083 S 3/2003 Wall  
D471,793 S \* 3/2003 Wall ..... D25/119  
D471,794 S 3/2003 Wall  
D526,888 S \* 8/2006 Heindl ..... D8/382  
D527,248 S \* 8/2006 Heindl ..... D8/382  
D527,619 S \* 9/2006 Heindl ..... D8/382  
D541,642 S 5/2007 Heindl  
D542,636 S 5/2007 Heindl  
D542,643 S 5/2007 Heindl  
D543,100 S 5/2007 Heindl  
D543,101 S 5/2007 Heindl

(Continued)

**OTHER PUBLICATIONS**

Non-final Office Action issued in co-pending U.S. Appl. No. 29/588,000 dated Sep. 20, 2017.

(Continued)

*Primary Examiner* — David Muller  
*Assistant Examiner* — Nathan Johnston  
(74) *Attorney, Agent, or Firm* — Meunier Carlin & Curfman LLC

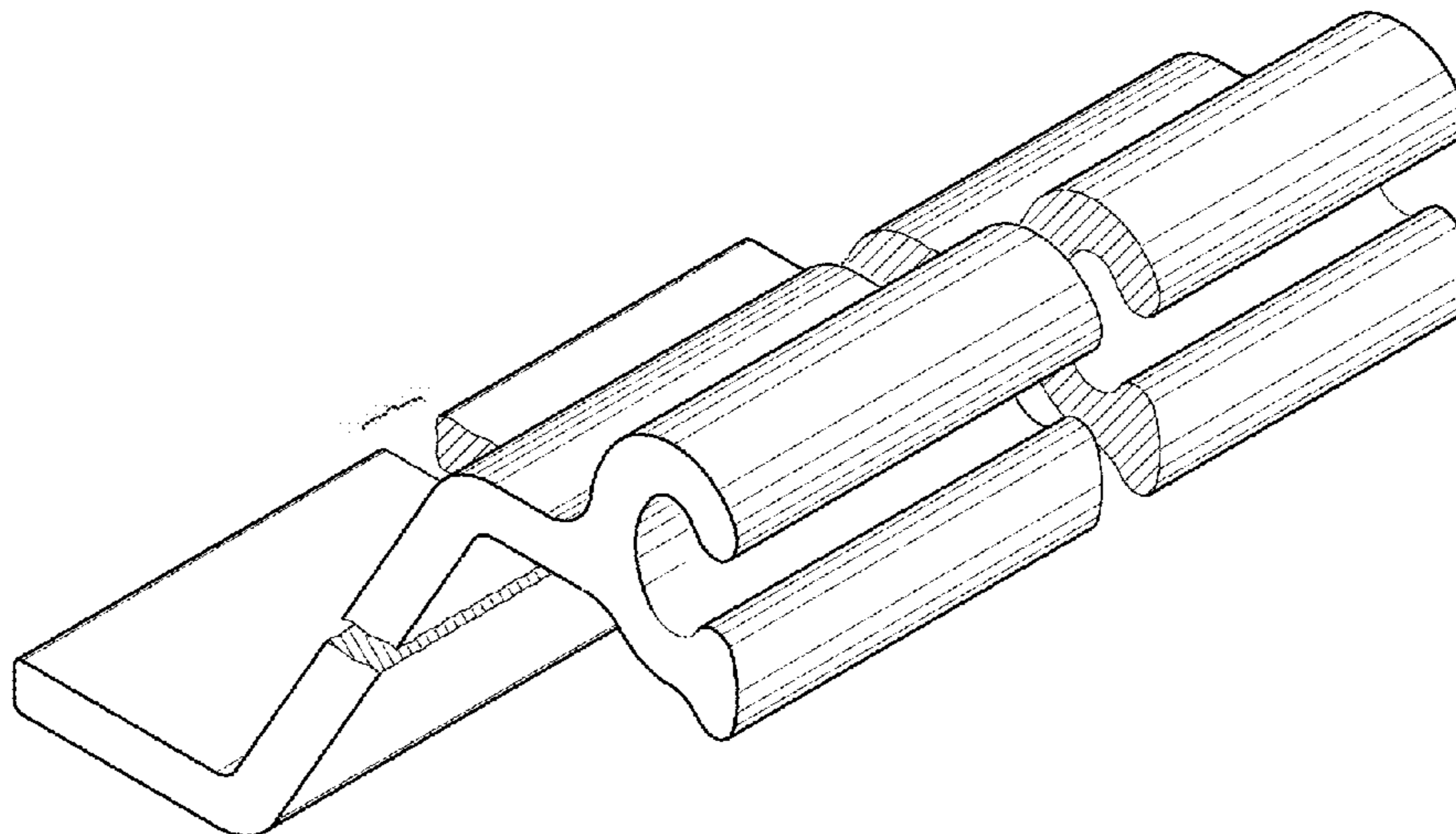
(57) **CLAIM**

The ornamental design for a sheet pile connector, as shown and described.

**DESCRIPTION**

FIG. 1 illustrates a front perspective view of my design; and, FIG. 2 illustrates a left side view of the design shown in FIG. 1.  
The appearance of any portion of the article between the break lines shown in FIG. 1 forms no part of the claimed design.

**1 Claim, 2 Drawing Sheets**



(56)

**References Cited**

U.S. PATENT DOCUMENTS

D681,428	S	*	5/2013	Heindl	.....	D8/382
D681,431	S		5/2013	Heindl		
D704,769	S		5/2014	Penington		
D721,947	S	*	2/2015	Wendt	.....	D8/382
D737,116	S	*	8/2015	Lussier	.....	D8/349
D782,903	S	*	4/2017	Heindl	.....	D8/382
D788,573	S	*	6/2017	Heindl	.....	D8/382
D790,330	S		6/2017	Heindl		
D794,245	S		8/2017	Klus		
D801,794	S	*	11/2017	Heindl	.....	D8/382
D807,159	S	*	1/2018	Heindl	.....	D8/382
D811,865	S	*	3/2018	Heindl	.....	D8/382
D811,867	S	*	3/2018	Heindl	.....	D8/382
2012/0269583	A1	*	10/2012	Heindl	.....	E02D 5/06 405/251

OTHER PUBLICATIONS

Non-final Office Action issued in co-pending U.S. Appl. No. 29/608,190, dated May 15, 2018.

Notice of Allowance issued in co-pending U.S. Appl. No. 29/593,004 dated Nov. 9, 2017.

\* cited by examiner

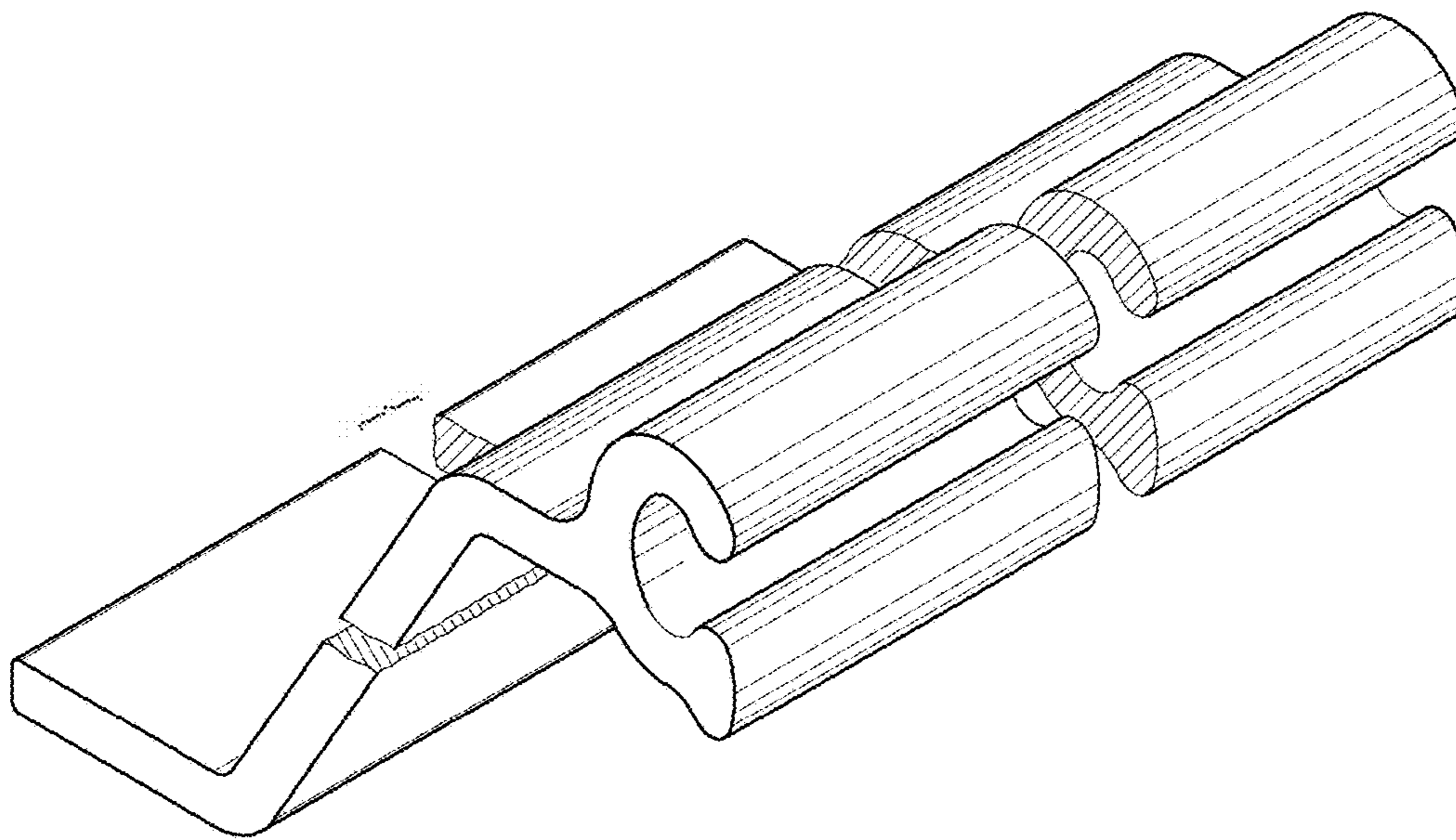


FIG. 1

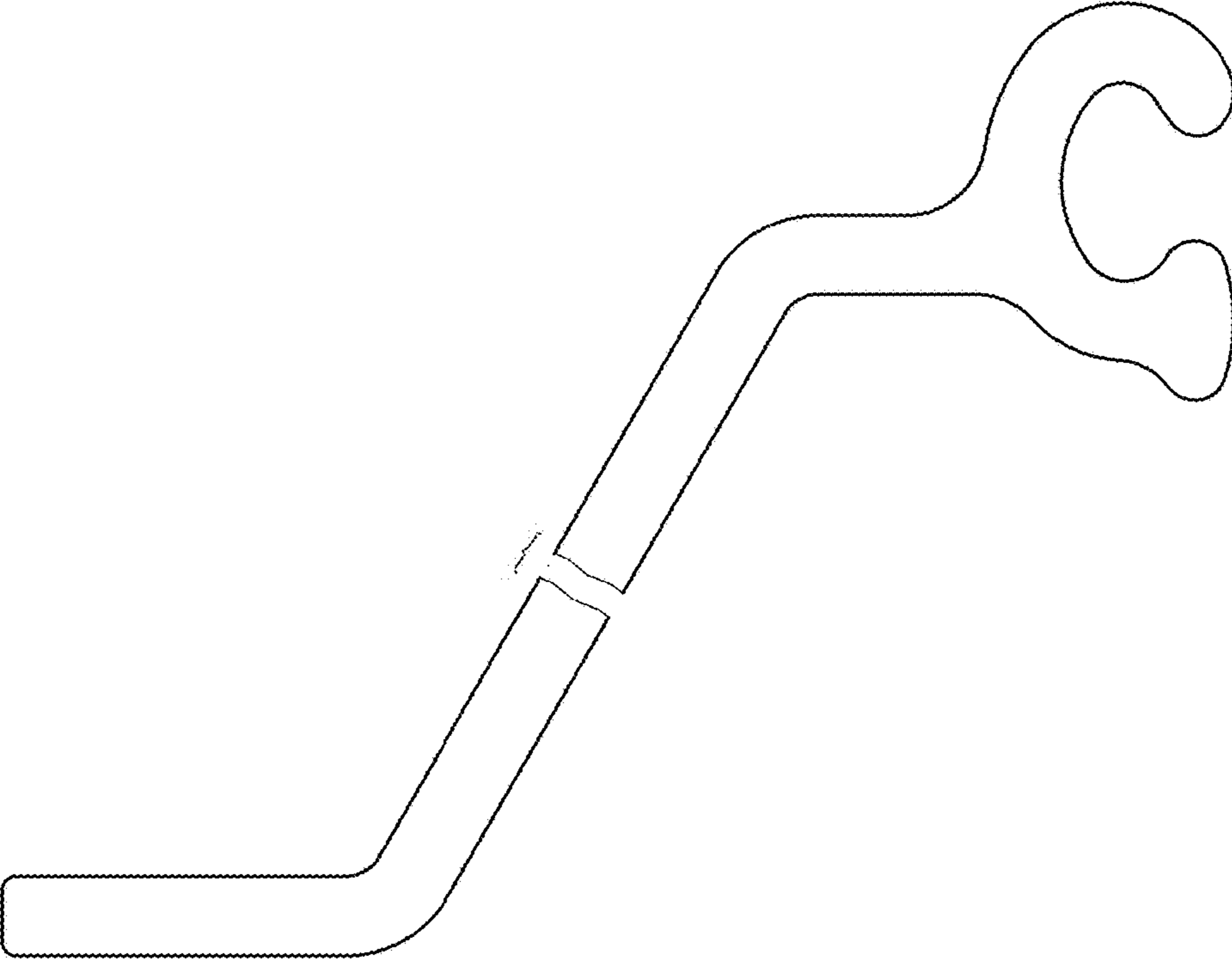


FIG. 2