



US00D832088S

(12) **United States Design Patent** (10) **Patent No.:** **US D832,088 S**
Heindl (45) **Date of Patent:** **** Oct. 30, 2018**

(54) **SHEET PILE CONNECTOR**
(71) Applicant: **Richard Heindl**, Gräfelfing (DE)
(72) Inventor: **Richard Heindl**, Gräfelfing (DE)
(**) Term: **15 Years**
(21) Appl. No.: **29/614,413**
(22) Filed: **Aug. 18, 2017**
(30) **Foreign Application Priority Data**

7,527,456 B2 5/2009 Heindl
D621,248 S * 8/2010 Heindl D8/382
D623,930 S 9/2010 Austro
D623,932 S 9/2010 Austro
D624,395 S 9/2010 Austro
D640,533 S * 6/2011 Austro D8/382
D640,534 S * 6/2011 Austro D8/382
D649,443 S 11/2011 Heindl
D665,658 S * 8/2012 Heindl D8/382
D665,660 S * 8/2012 Heindl D8/382
D666,484 S * 9/2012 Heindl D8/382
D681,424 S * 5/2013 Heindl D8/382
D681,425 S * 5/2013 Heindl D8/382
D681,426 S * 5/2013 Heindl D8/382
D681,427 S * 5/2013 Heindl D8/382

Feb. 20, 2017 (EM) 003759695-0004

(51) **LOC (11) Cl.** **08-08**
(52) **U.S. Cl.**
USPC **D8/382**
(58) **Field of Classification Search**
USPC D8/382, 394, 395; D25/119
CPC E02D 5/02; E02D 5/04; E02D 5/06; E02D
5/08; E02D 5/12; Y10T 403/73
See application file for complete search history.

(56) **References Cited**

U.S. PATENT DOCUMENTS

3,225,407 A 12/1965 Daniels et al.
D242,986 S * 1/1977 Inglis D8/363
D331,007 S * 11/1992 Roick D8/367
D421,137 S 2/2000 Marshall
6,428,244 B1 8/2002 Wall
D471,083 S 3/2003 Wall
D471,793 S * 3/2003 Wall D25/119
D471,794 S 3/2003 Wall
D526,888 S * 8/2006 Heindl D8/382
D527,248 S * 8/2006 Heindl D8/382
D527,619 S * 9/2006 Heindl D8/382
D541,642 S 5/2007 Heindl
D542,636 S 5/2007 Heindl
D542,643 S 5/2007 Heindl
D543,100 S 5/2007 Heindl
D543,101 S 5/2007 Heindl

(Continued)

OTHER PUBLICATIONS

Non-final Office Action issued in co-pending U.S. Appl. No. 29/588,000 dated Sep. 20, 2017.

(Continued)

Primary Examiner — David Muller
Assistant Examiner — Nathan Johnston
(74) *Attorney, Agent, or Firm* — Meunier Carlin & Curfman LLC

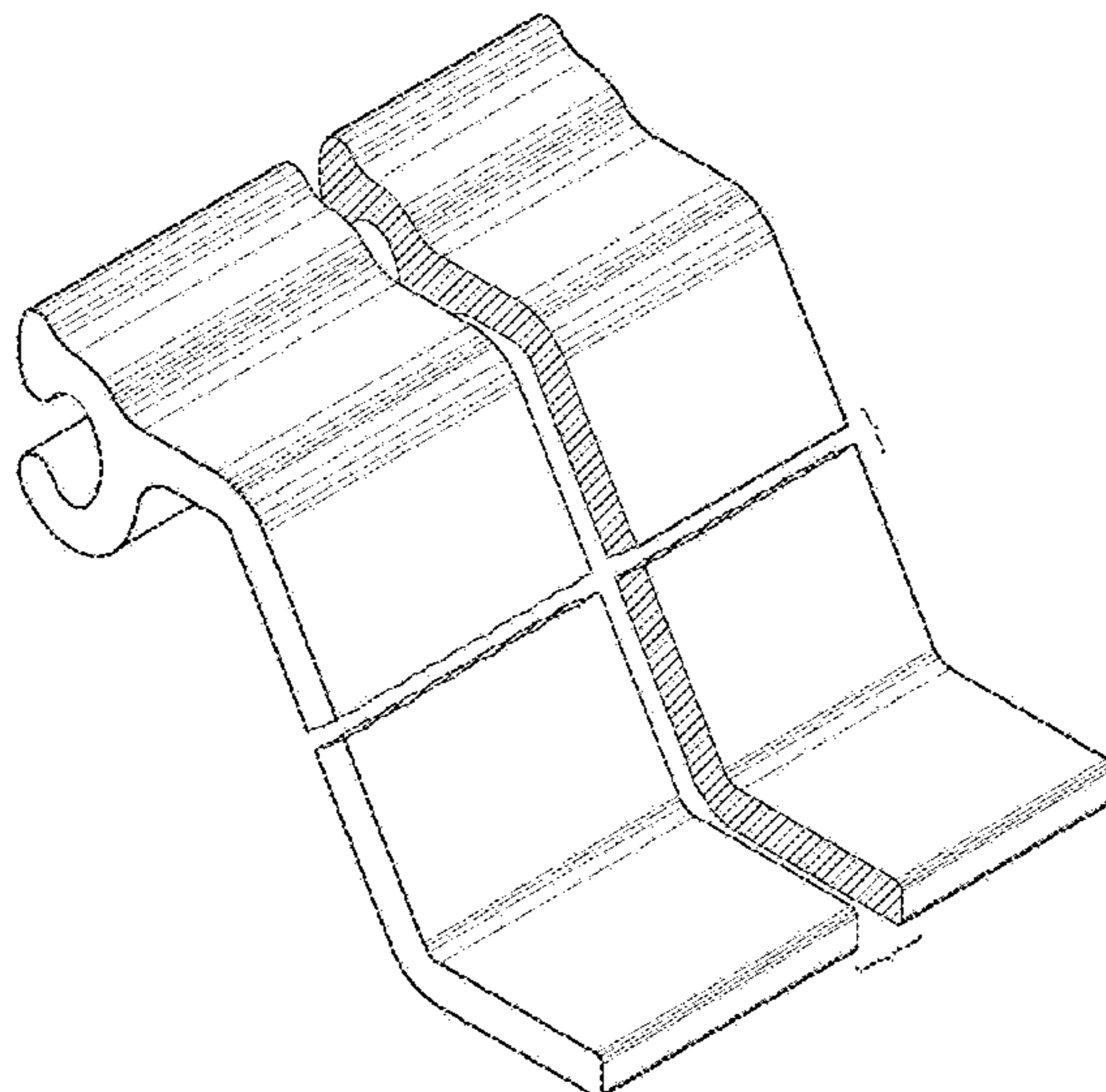
(57) **CLAIM**

The ornamental design for a sheet pile connector, as shown and described.

DESCRIPTION

FIG. 1 illustrates a front perspective view of my design; and, FIG. 2 illustrates a left side view of the design shown in FIG. 1.
1.
The appearance of any portion of the article between the break lines shown in FIG. 1 forms no part of the claimed design.

1 Claim, 2 Drawing Sheets



(56)

References Cited

U.S. PATENT DOCUMENTS

D681,428	S	*	5/2013	Heindl	D8/382
D681,431	S		5/2013	Heindl		
D704,769	S		5/2014	Penington		
D721,947	S	*	2/2015	Wendt	D8/382
D737,116	S	*	8/2015	Lussier	D8/349
D782,903	S	*	4/2017	Heindl	D8/382
D788,573	S	*	6/2017	Heindl	D8/382
D790,330	S		6/2017	Heindl		
D794,245	S		8/2017	Klus		
D801,794	S	*	11/2017	Heindl	D8/382
D807,159	S	*	1/2018	Heindl	D8/382
D811,865	S	*	3/2018	Heindl	D8/382
D811,867	S	*	3/2018	Heindl	D8/382
2012/0269583	A1	*	10/2012	Heindl	E02D 5/06 405/251

OTHER PUBLICATIONS

Non-final Office Action issued in co-pending U.S. Appl. No. 29/608,190, dated May 15, 2018.

Notice of Allowance issued in co-pending U.S. Appl. No. 29/593,004 dated Nov. 9, 2017.

* cited by examiner

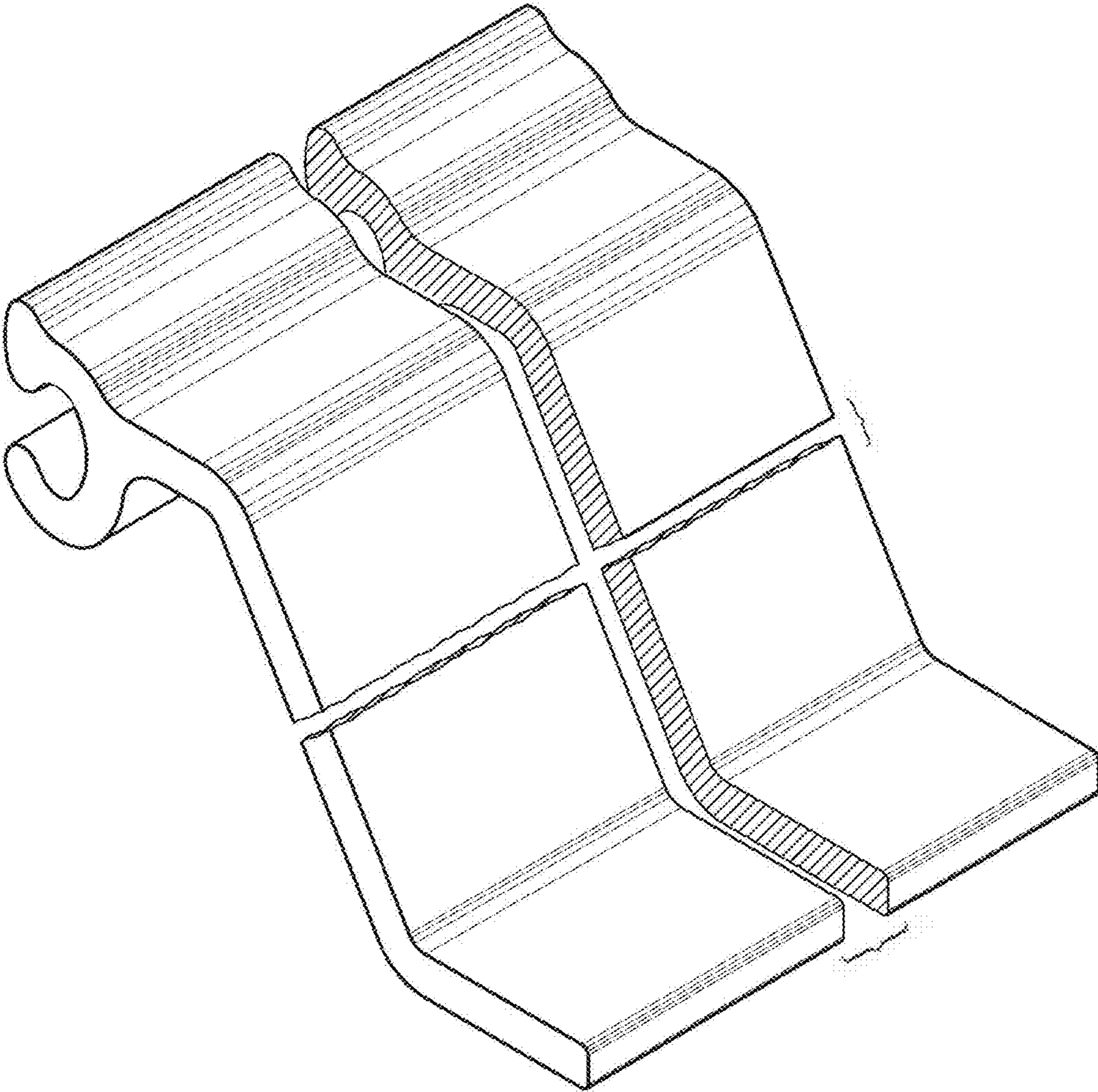


FIG. 1

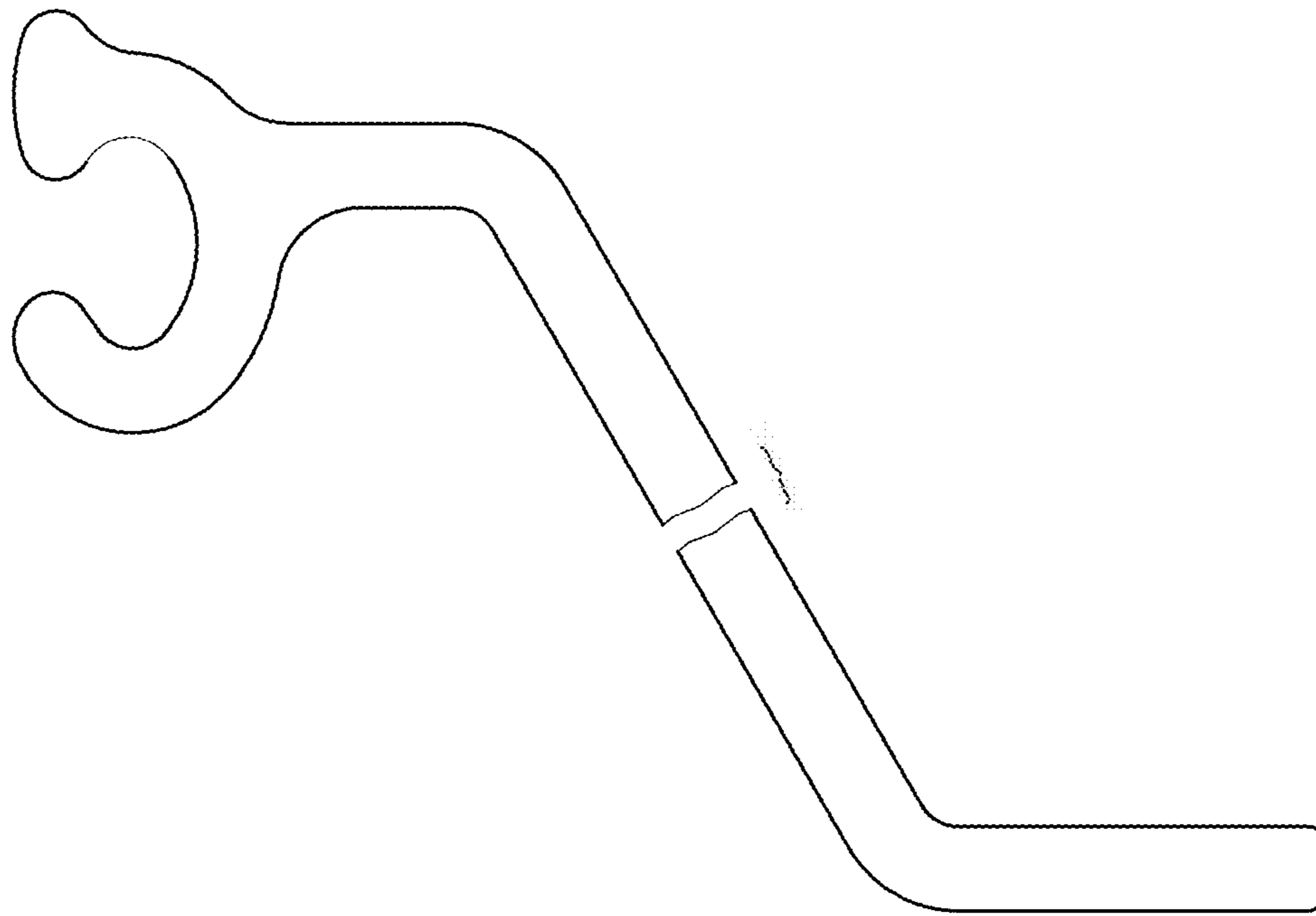


FIG. 2