



US00D832086S

(12) **United States Design Patent** (10) **Patent No.:** **US D832,086 S**
Son et al. (45) **Date of Patent:** **** Oct. 30, 2018**

(54) **CORD WINDER FOR EARPHONES**
 (71) Applicants: **Sang Mook Son**, Hanam-si (KR);
Kyung Sun Oh, Seoul (KR)
 (72) Inventors: **Sang Mook Son**, Hanam-si (KR);
Kyung Sun Oh, Seoul (KR)
 (**) Term: **15 Years**
 (21) Appl. No.: **29/586,558**
 (22) Filed: **Dec. 5, 2016**
 (51) **LOC (11) Cl.** **08-05**
 (52) **U.S. Cl.**
 USPC **D8/358**
 (58) **Field of Classification Search**
 USPC D8/358, 359; D13/155; D14/205;
 242/379, 388.1
 CPC A61B 18/14; B65H 75/44; B65H 75/4471;
 B65H 75/48; H04B 1/086; H02G 11/4402
 See application file for complete search history.

(56) **References Cited**

U.S. PATENT DOCUMENTS

3,965,544 A * 6/1976 Boden F16G 11/101
 24/115 M
 5,178,619 A * 1/1993 Galazaka A61B 18/14
 242/378.1
 5,339,461 A * 8/1994 Luplow H04B 1/086
 242/385
 5,684,883 A * 11/1997 Chen H02G 11/02
 381/370
 5,732,898 A * 3/1998 Odessky B65H 75/4402
 191/12.2 R
 D449,974 S * 11/2001 Stekelenburg D8/358
 6,702,077 B2 * 3/2004 Skowronski H01B 7/40
 191/12.2 R
 D566,107 S * 4/2008 Bowling D14/205
 D721,335 S * 1/2015 Smeja D13/155
 D791,741 S * 7/2017 Chen D14/205

2002/0023814 A1* 2/2002 Poutiatine H02G 11/02
 191/12.2 R
 2006/0214044 A1* 9/2006 Chiang B65H 75/4434
 242/378
 2015/0312667 A1* 10/2015 Lei H04R 1/1033
 242/379
 2015/0325995 A1* 11/2015 Ciampa H02G 11/003
 242/388.1
 2015/0325996 A1* 11/2015 Ciampa H02G 11/003
 242/388.1
 2016/0013627 A1* 1/2016 Katsuramaki B65H 75/28
 242/377
 2016/0347575 A1* 12/2016 Chu H02G 11/02
 2017/0183196 A1* 6/2017 Kennedy B65H 75/14

* cited by examiner

Primary Examiner — Ian Simmons

Assistant Examiner — Yolanda Robinson

(74) *Attorney, Agent, or Firm* — Rabin & Berdo, P.C.

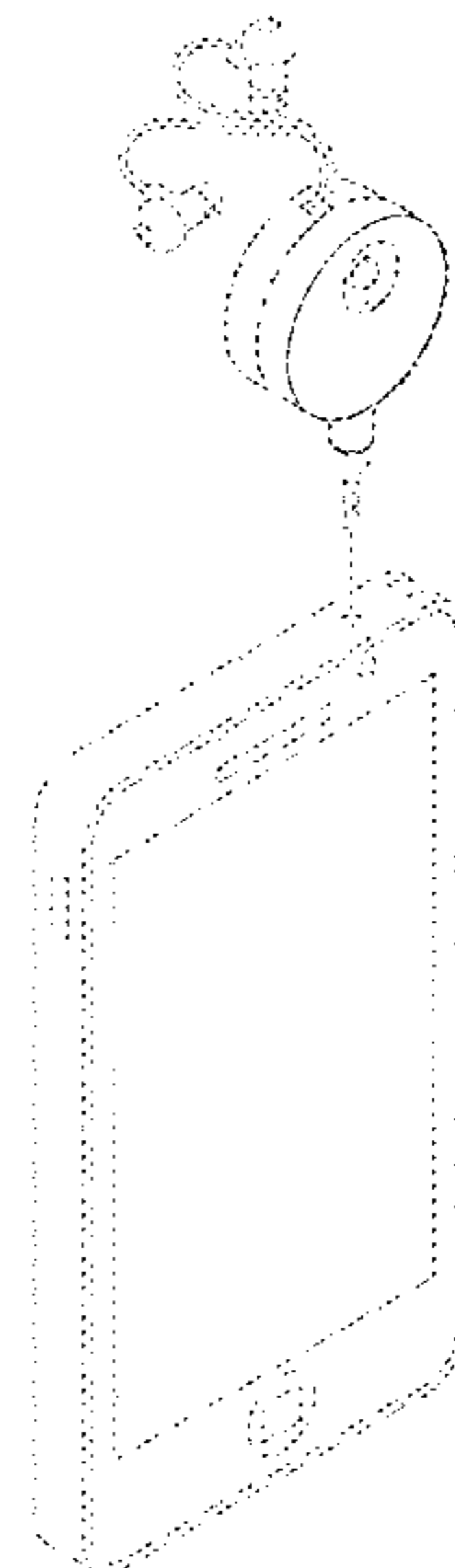
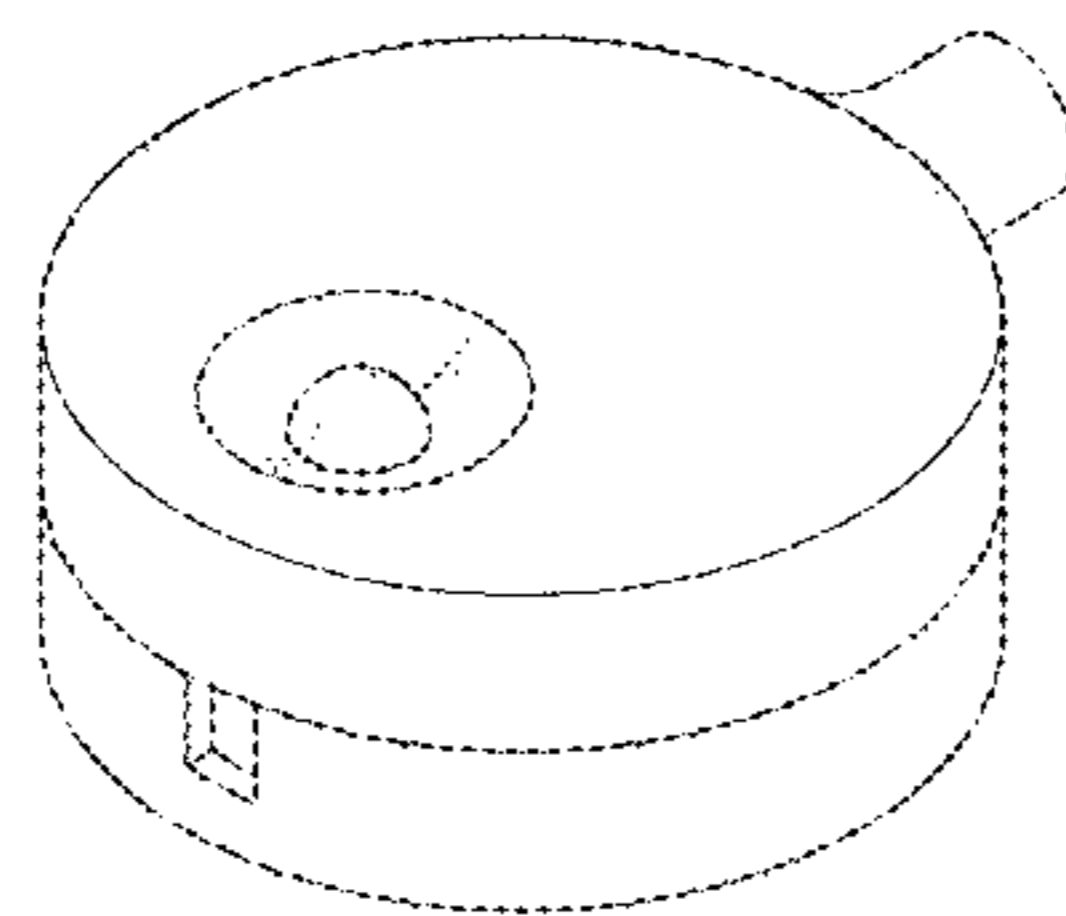
(57) **CLAIM**

The ornamental design for a cord winder for earphones, as shown and described.

DESCRIPTION

FIG. 1 is a top perspective view of a cord winder for earphones;
 FIG. 2 is a front elevational view thereof;
 FIG. 3 is a rear elevational view thereof;
 FIG. 4 is a left side elevational view thereof;
 FIG. 5 is a right side elevational view thereof;
 FIG. 6 is a top plan view thereof;
 FIG. 7 is a bottom plan view thereof;
 FIG. 8 is a perspective view thereof;
 FIG. 9 is a perspective view thereof; and,
 FIG. 10 is a perspective view thereof.
 The broken lines showing of the cord, ear phones and cellular phone in FIGS. 8-10 represent an environment only and form no part of the claimed design.

1 Claim, 7 Drawing Sheets



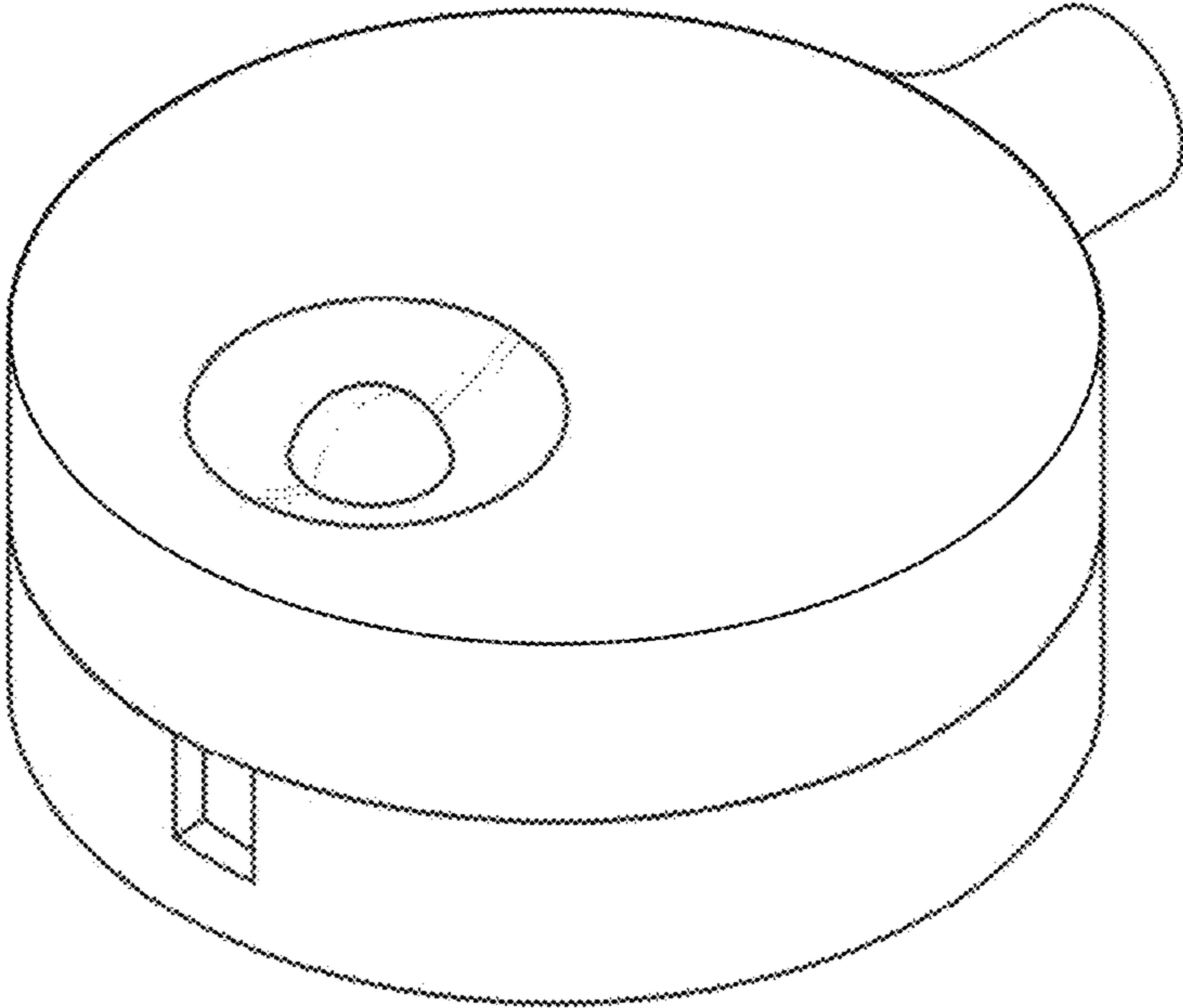


FIG. 1

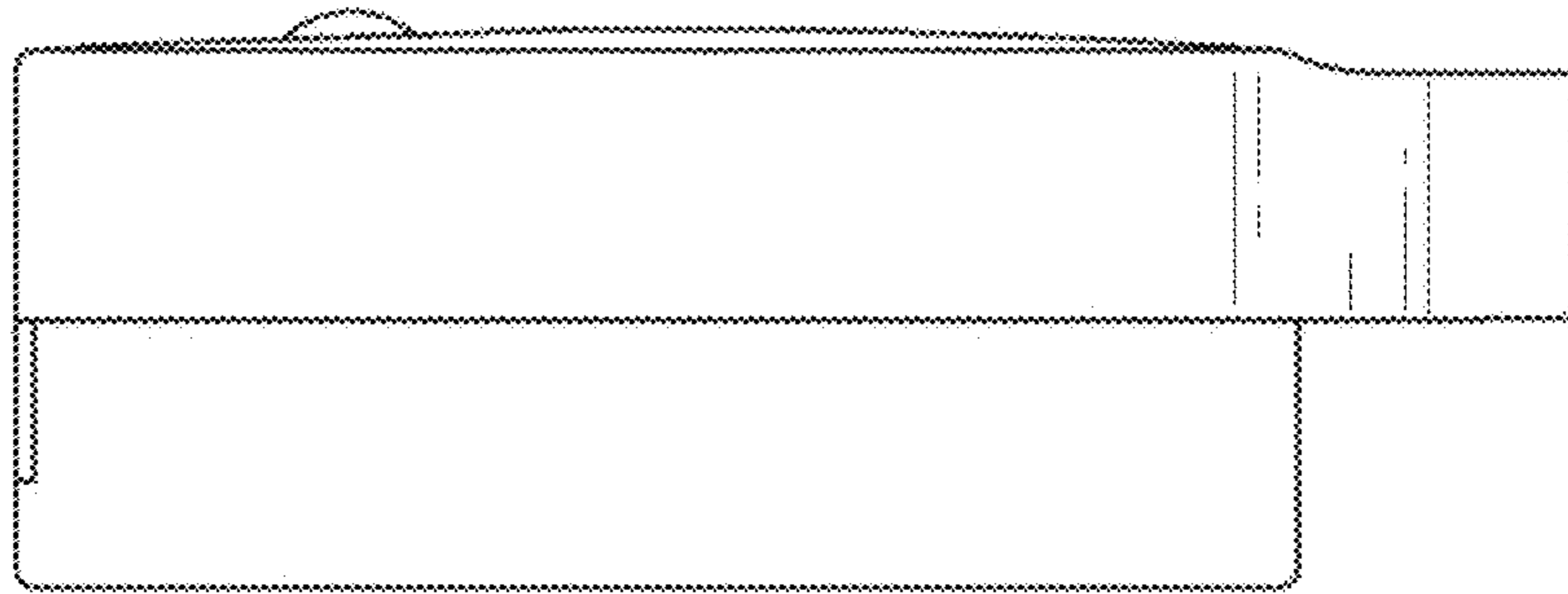


FIG. 2

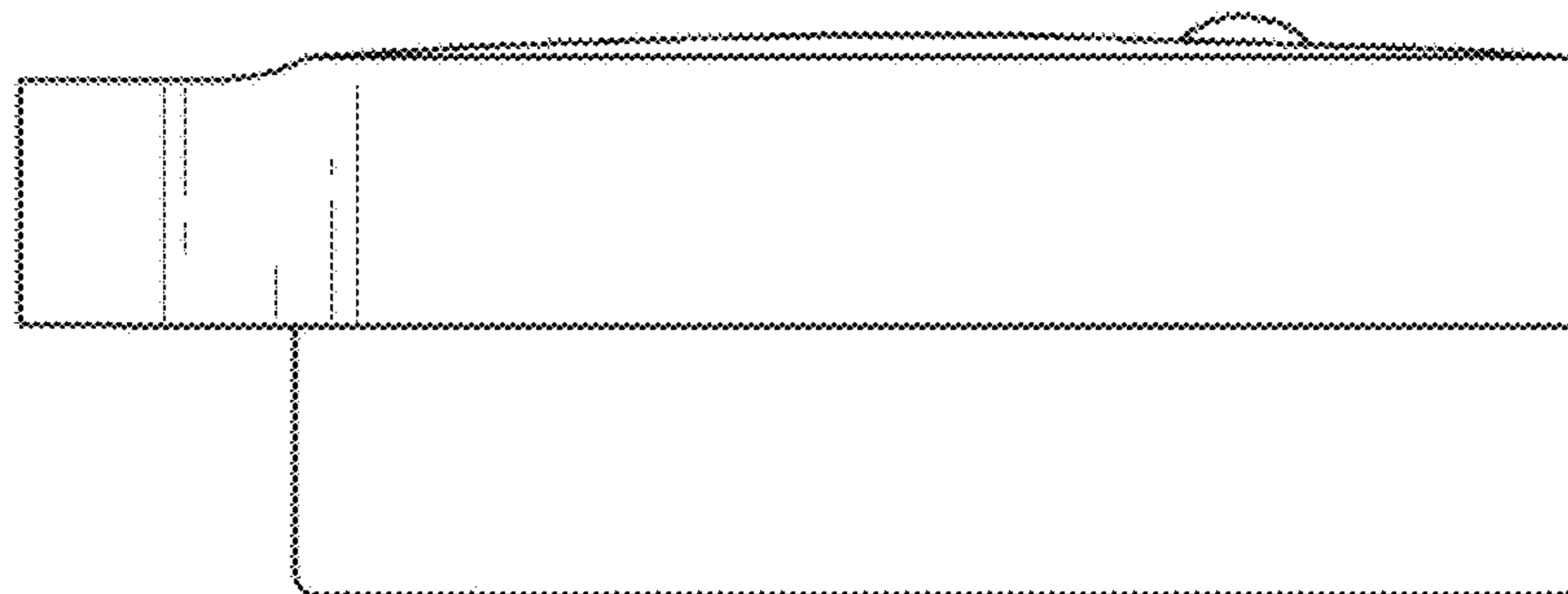


FIG. 3

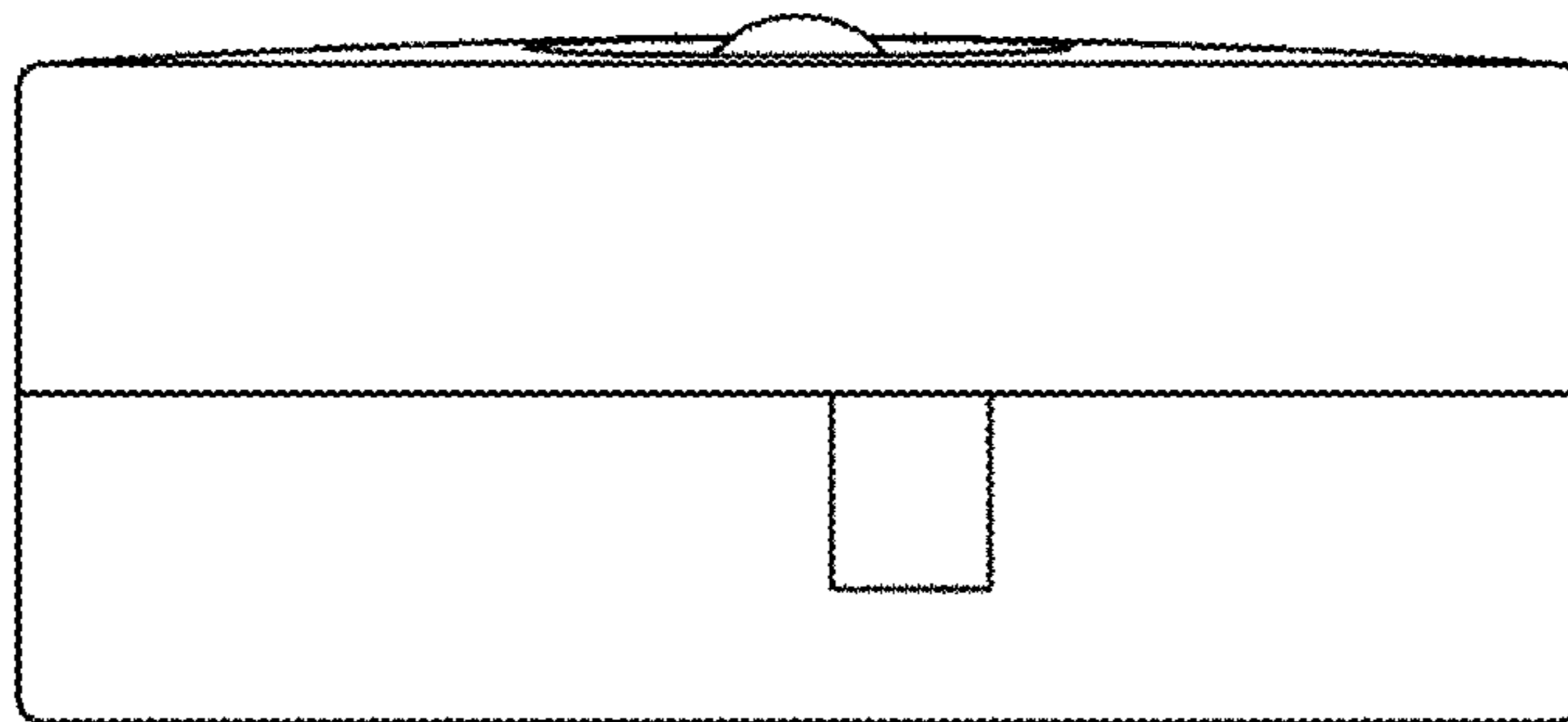


FIG. 4

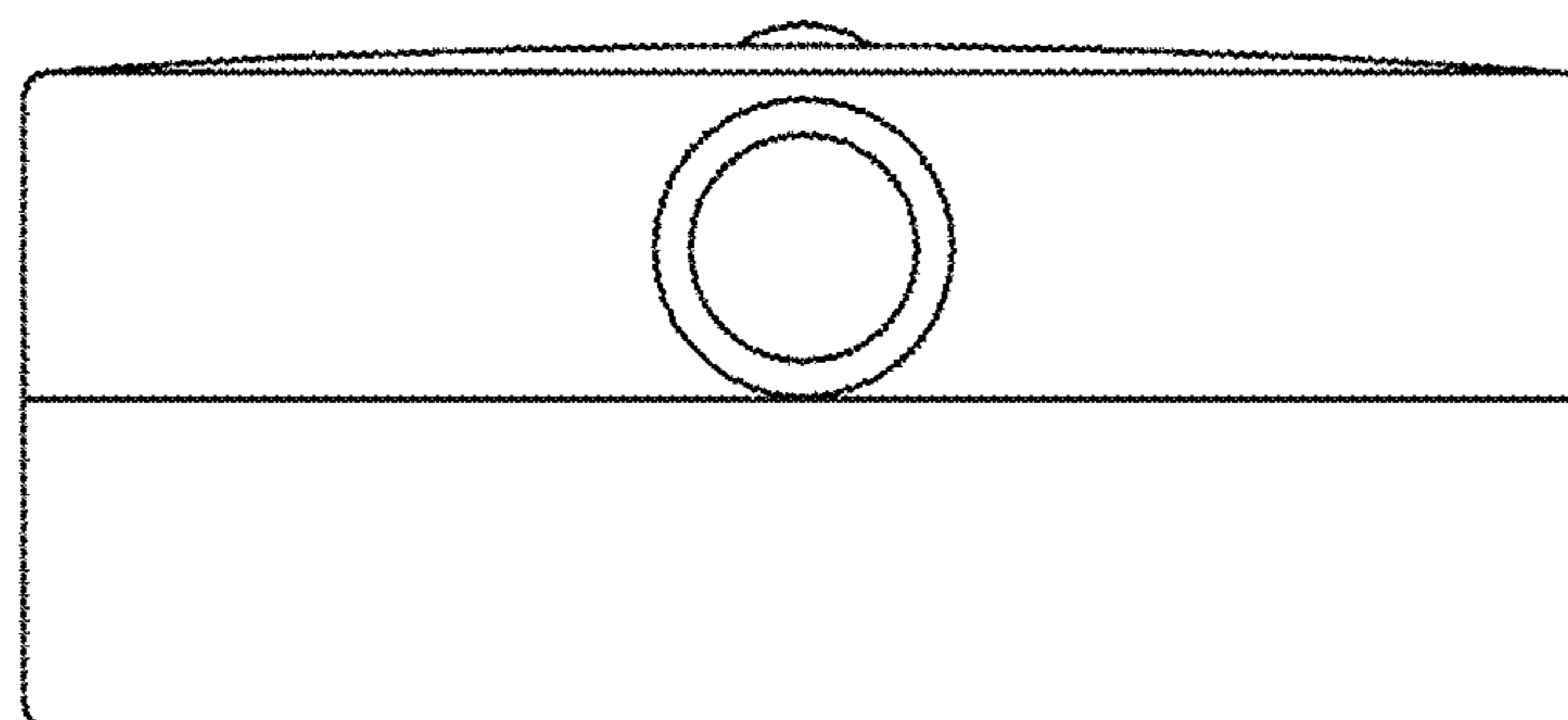


FIG. 5

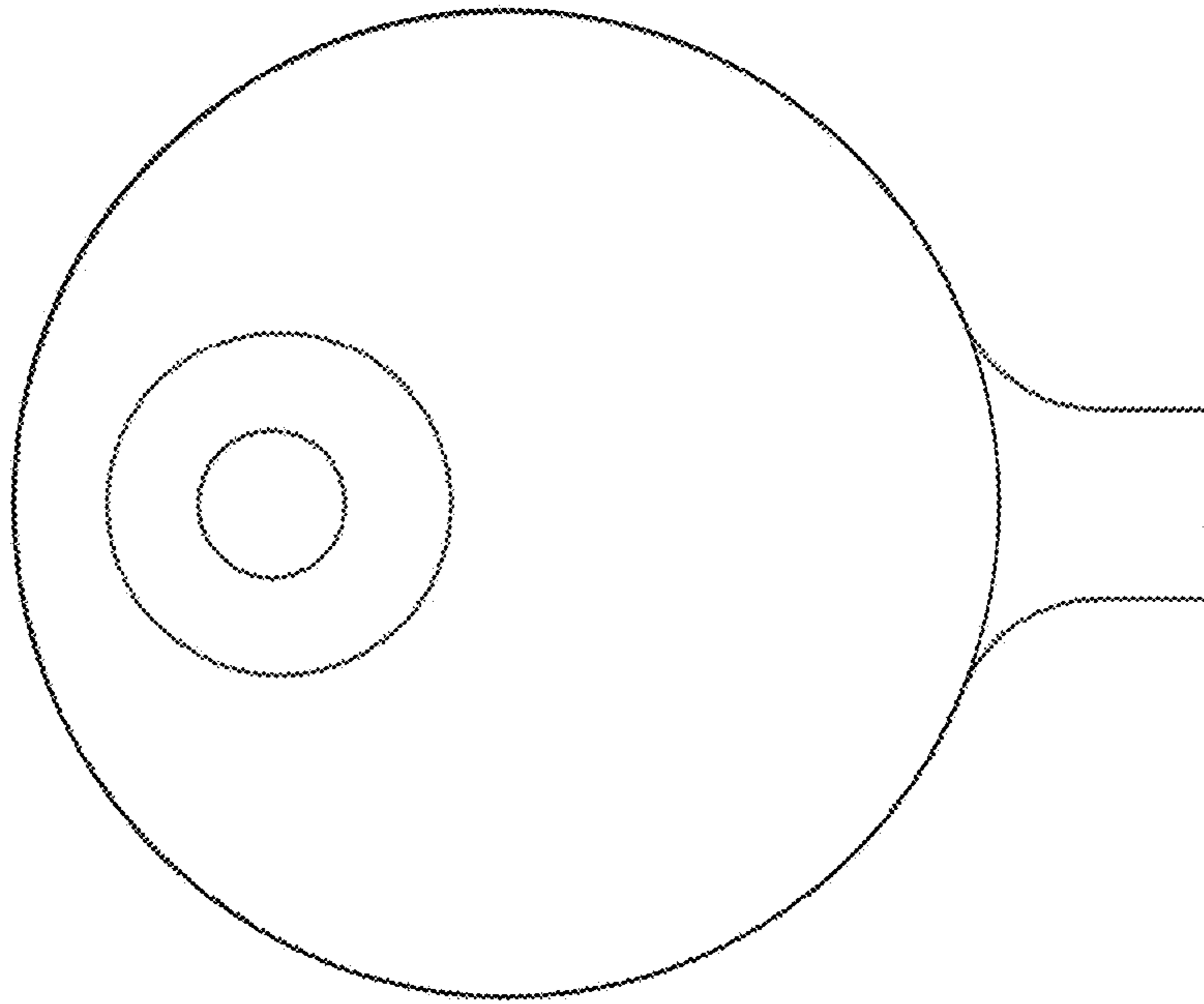


FIG. 6

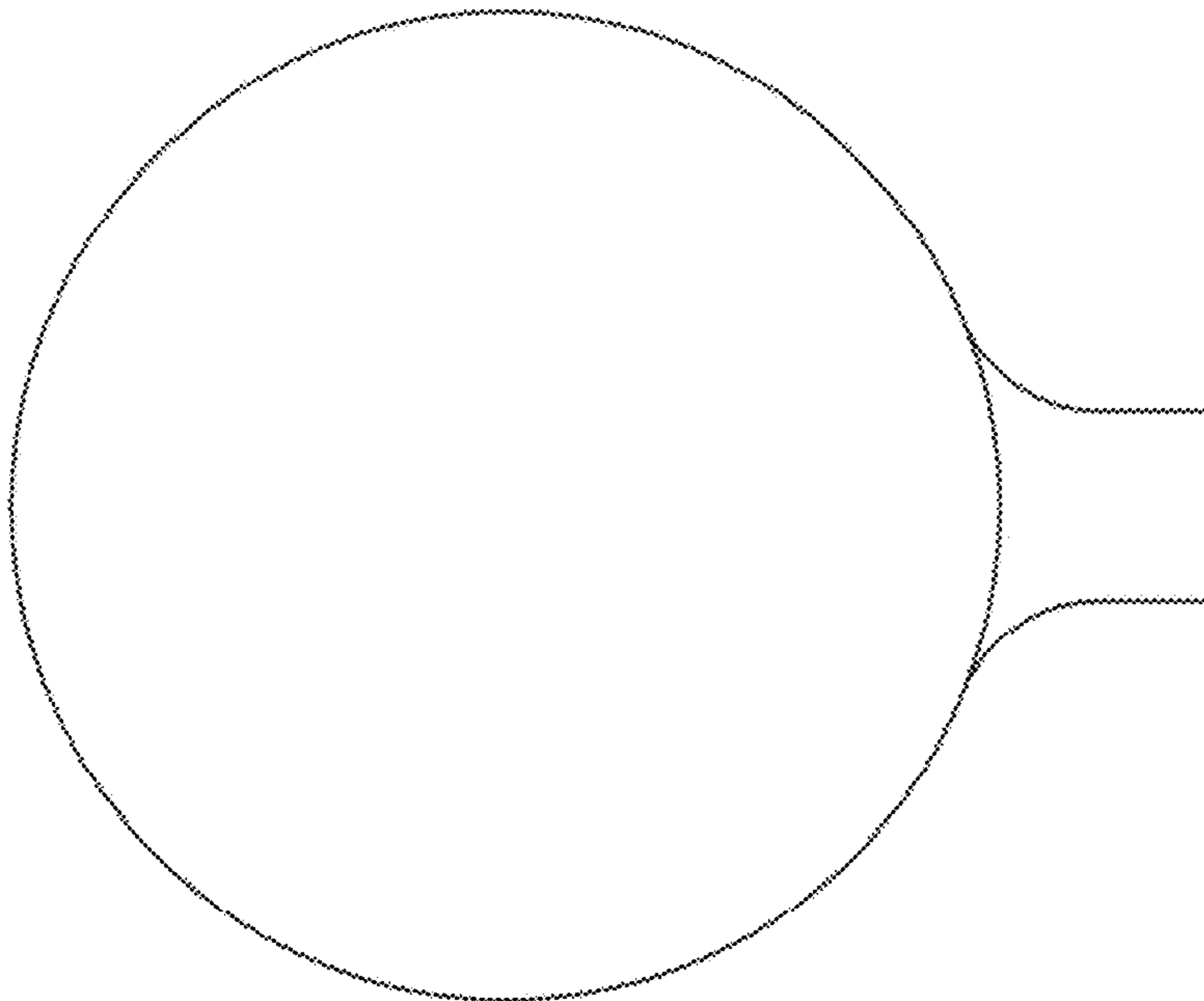


FIG. 7

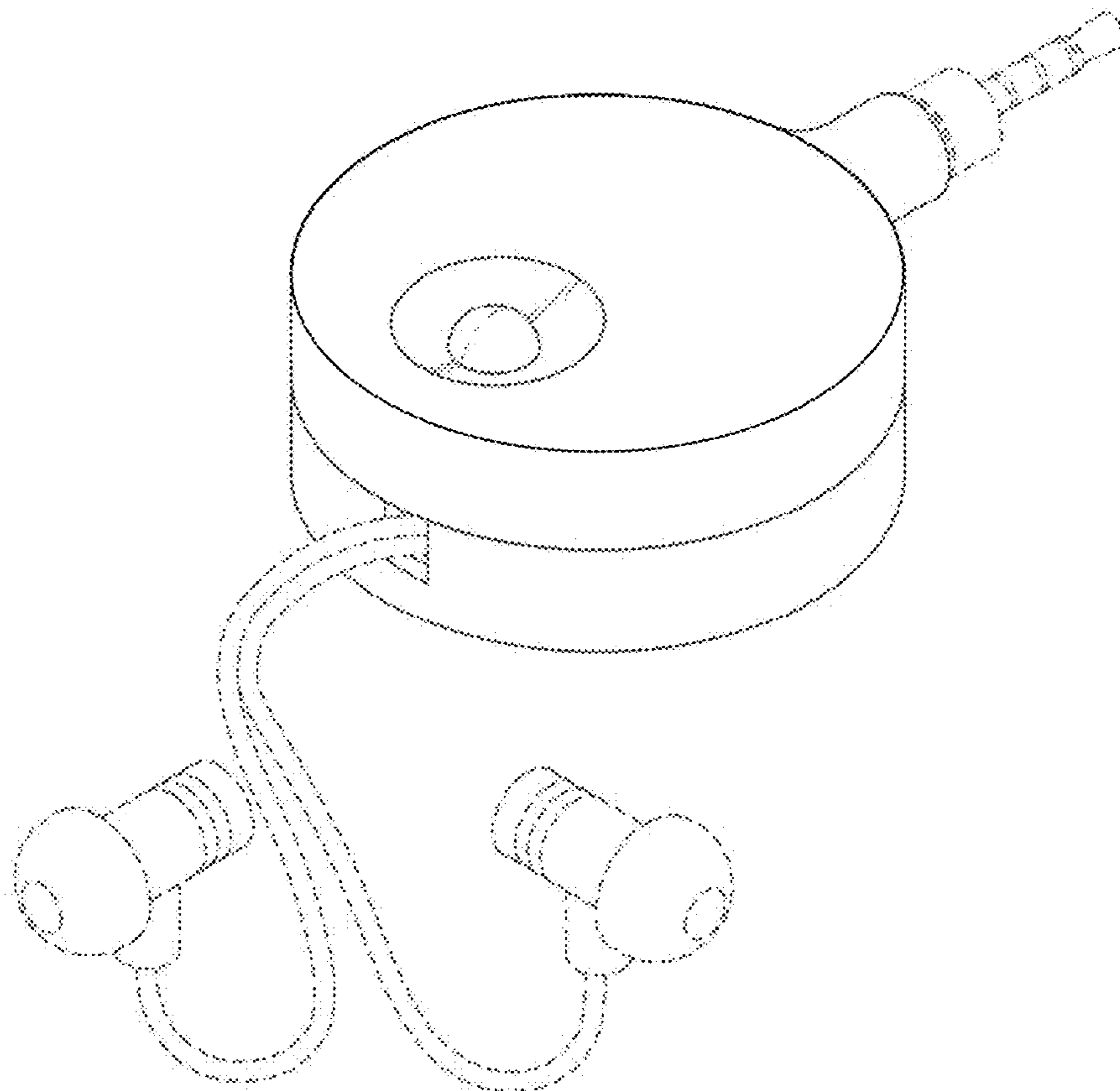


FIG. 8

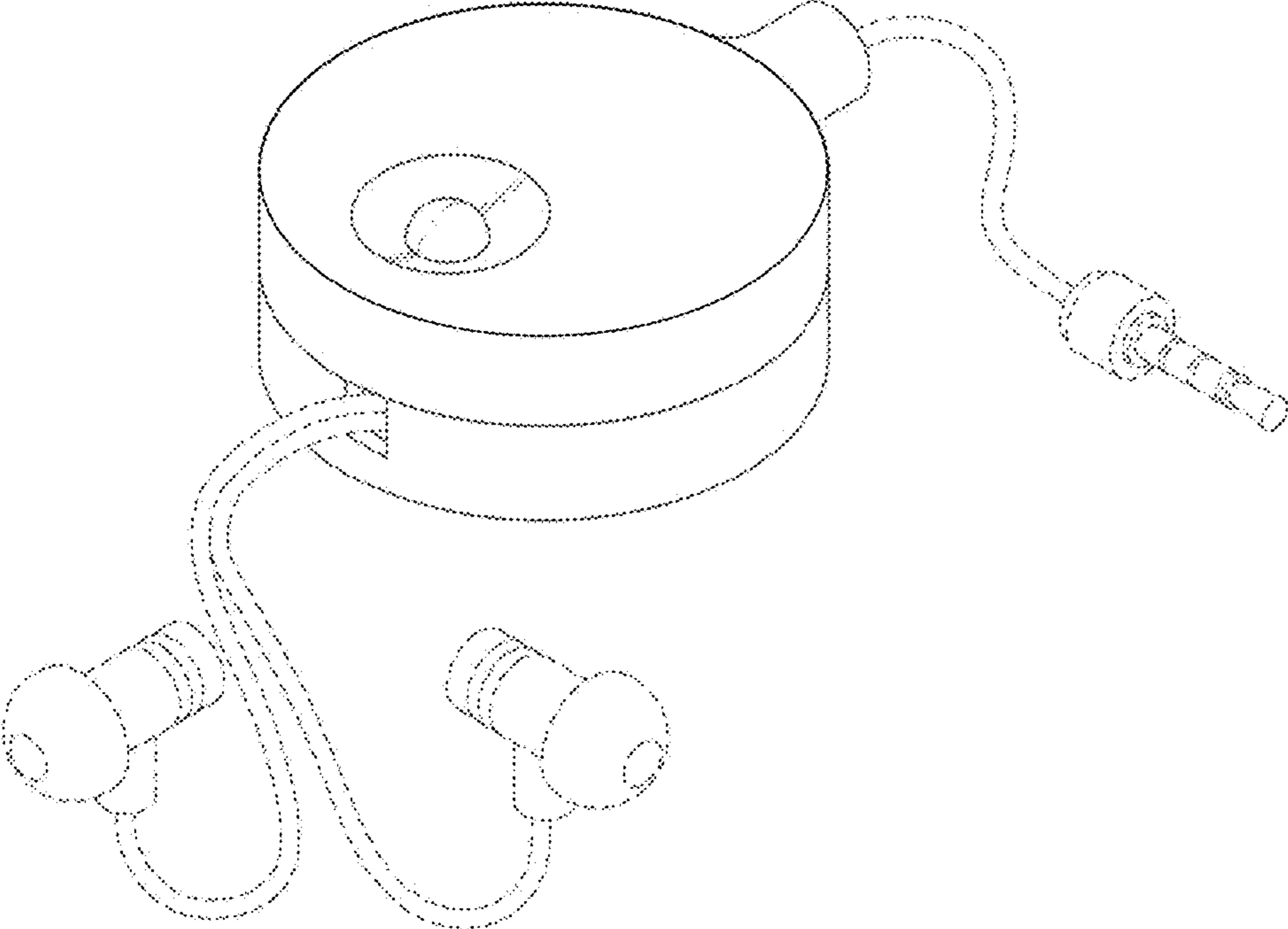


FIG. 9

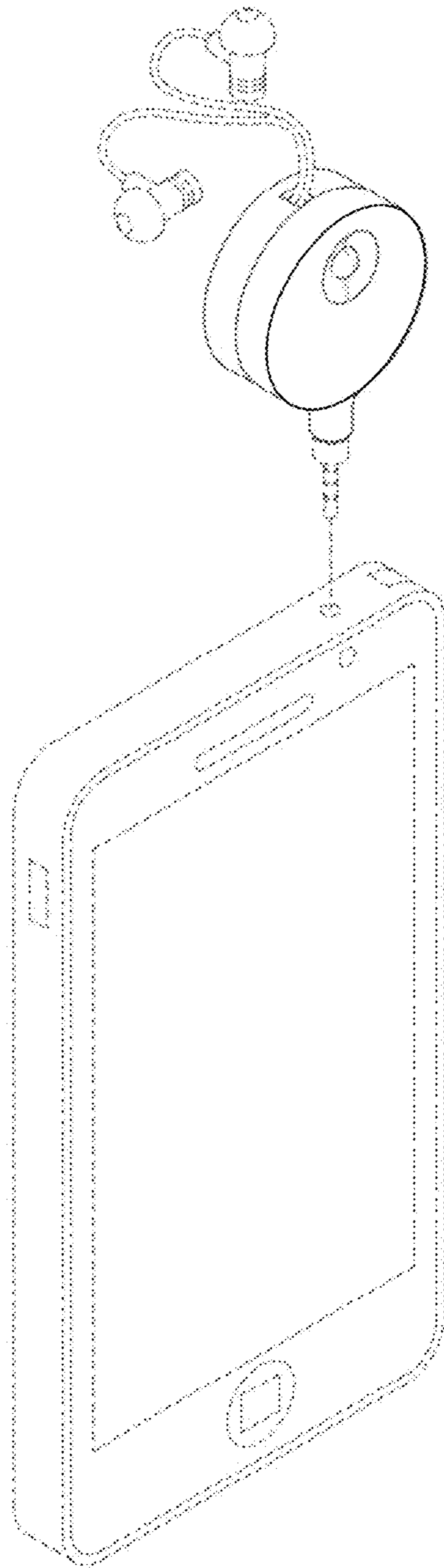


FIG. 10