



US00D832085S

(12) **United States Design Patent** (10) **Patent No.:** **US D832,085 S**  
**Babcock** (45) **Date of Patent:** **\*\* Oct. 30, 2018**

(54) **LINE CRADLE**

D815,936 S \* 4/2018 Naslund ..... D8/356  
D817,743 S \* 5/2018 VanDeusen ..... D8/354  
D820,069 S \* 6/2018 Hack ..... D8/367

(71) Applicant: **Richard A. Babcock**, Jamestown, NY  
(US)

\* cited by examiner

(72) Inventor: **Richard A. Babcock**, Jamestown, NY  
(US)

*Primary Examiner* — Cynthia R Underwood  
(74) *Attorney, Agent, or Firm* — The Bilicki Law Firm,  
P.C.; Carl A. Hjort, III

(\*\*) Term: **15 Years**

(57) **CLAIM**

(21) Appl. No.: **29/611,090**

The ornamental design for a line cradle, as shown and described.

(22) Filed: **Jul. 18, 2017**

**DESCRIPTION**

(51) **LOC (11) Cl.** ..... **09-06**

(52) **U.S. Cl.**

USPC ..... **D8/356**

(58) **Field of Classification Search**

USPC ..... D8/367, 356, 354, 349

CPC ..... B65H 57/16; B63B 21/045

See application file for complete search history.

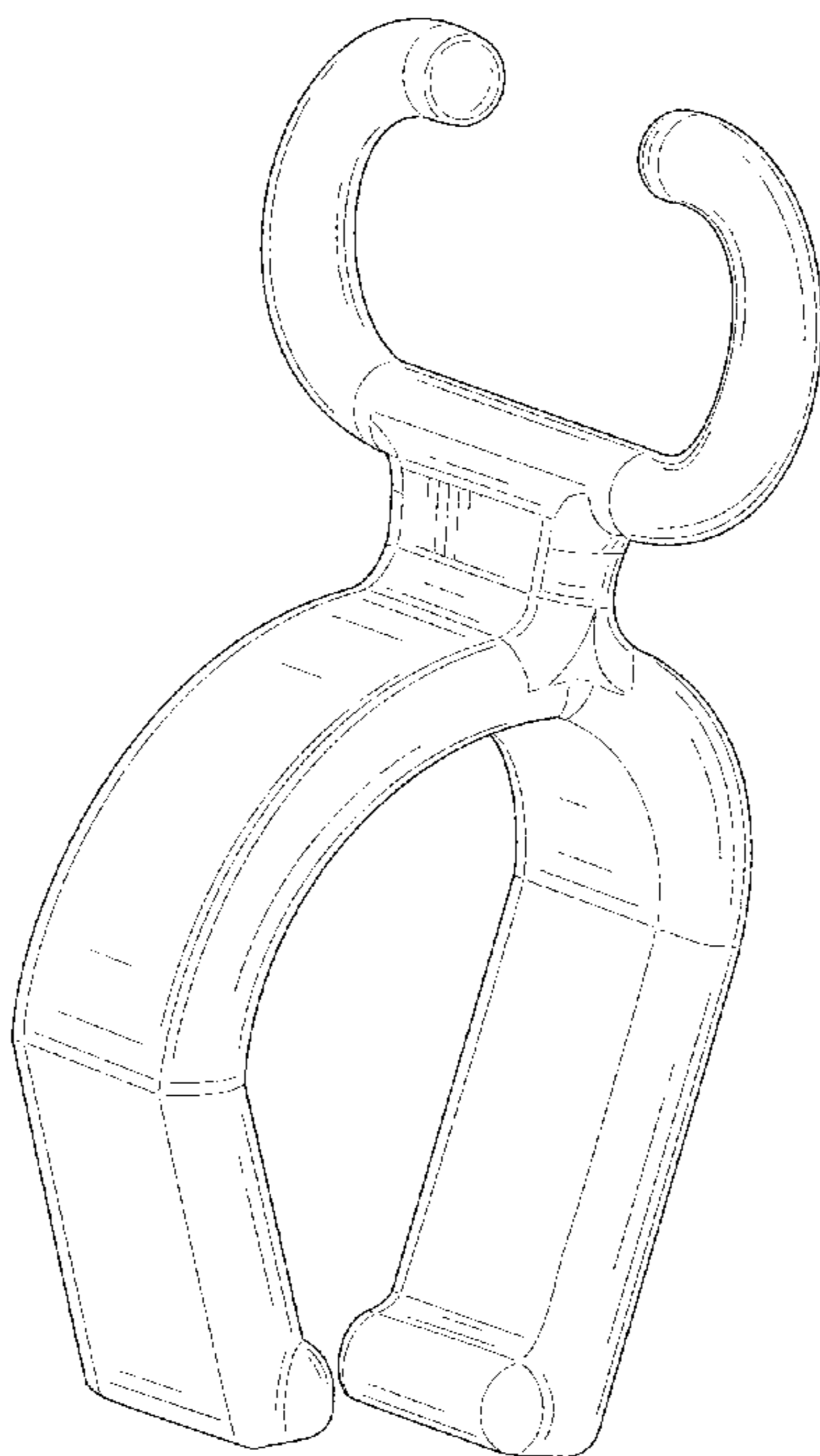
(56) **References Cited**

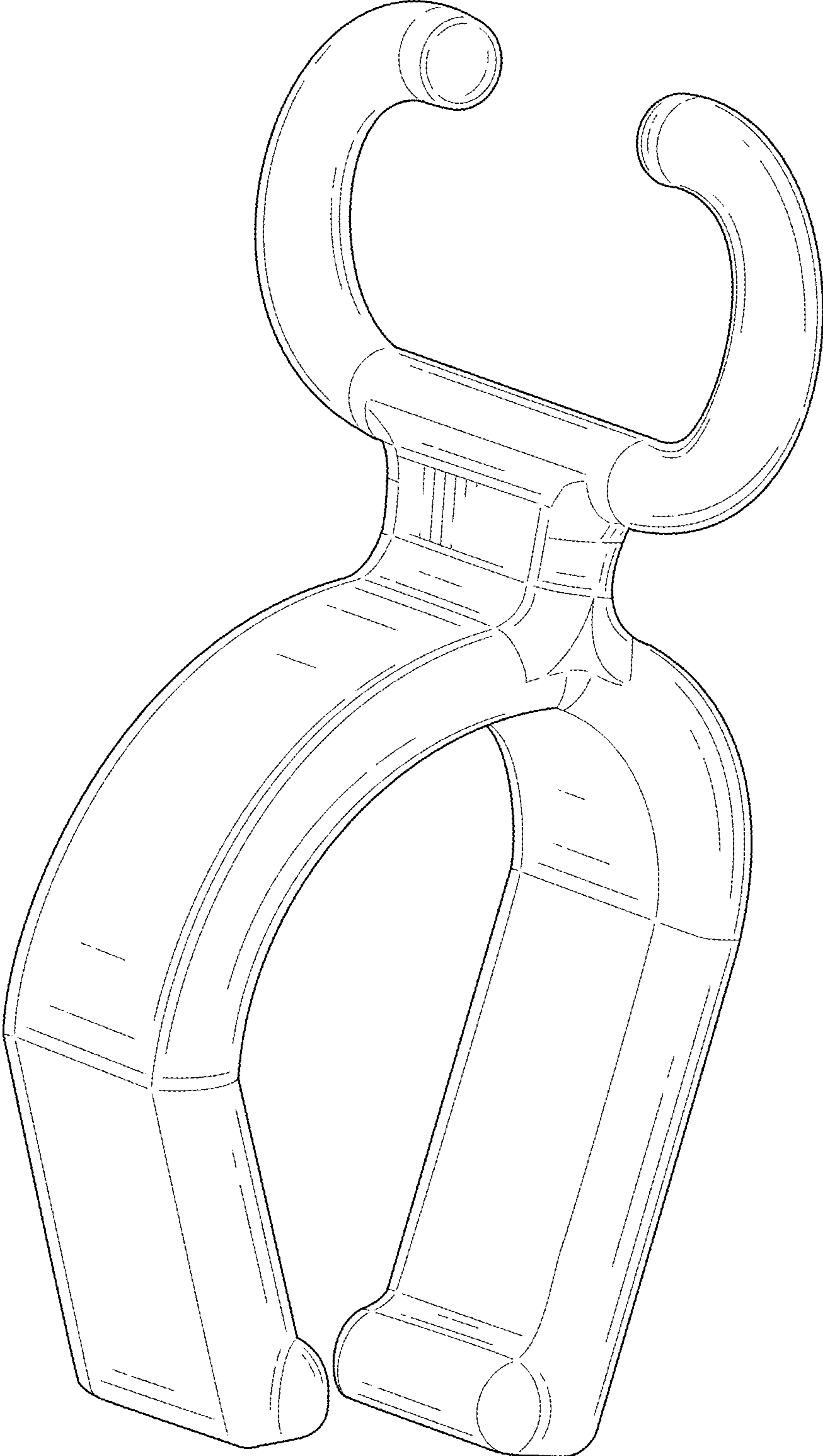
**U.S. PATENT DOCUMENTS**

8,602,370	B2 *	12/2013	McKenzie	.....	A47G 25/1464	248/215
D708,044	S *	7/2014	Komeno	.....	D8/356	
D732,929	S *	6/2015	Harrow	.....	D8/354	
D733,534	S *	7/2015	Alrichter	.....	D8/356	
D736,060	S *	8/2015	Shimizu	.....	D8/349	
D762,461	S *	8/2016	Kirkham	.....	D8/356	
D786,048	S *	5/2017	Grewal	.....	H04R 1/1033	D8/356
D807,729	S *	1/2018	Willshare	.....	D8/356	
D808,250	S *	1/2018	Chang	.....	D8/356	
D809,901	S *	2/2018	Cardinali	.....	D8/356	

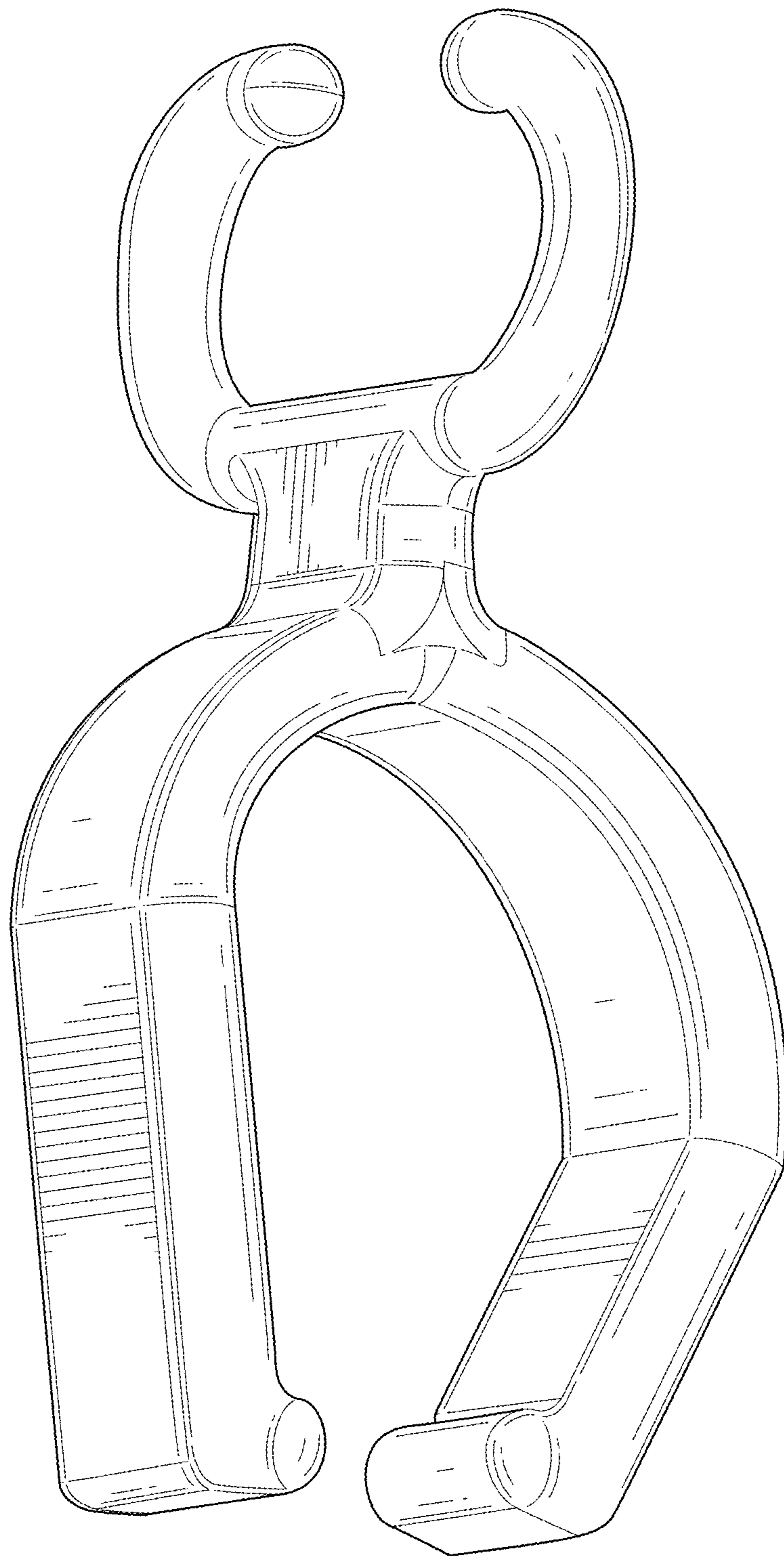
FIG. 1 is a top perspective view of a line cradle according to the present design;  
FIG. 2 is a bottom perspective view of the line cradle according to the present design;  
FIG. 3 is a front view of the line cradle according to the present design;  
FIG. 4 is a rear view of the line cradle according to the present design;  
FIG. 5 is a top plan view of the line cradle according to the present design;  
FIG. 6 is a bottom plan view of the line cradle according to the present design;  
FIG. 7 is right side elevational view of the line cradle according to the present design, the left side elevational view being a minor image thereof; and,  
FIG. 8 is a perspective view of a line cradle according to the present design in a representative environment, the elements shown in dashed lines are for illustration purposes only and form no part of the present invention.

**1 Claim, 7 Drawing Sheets**

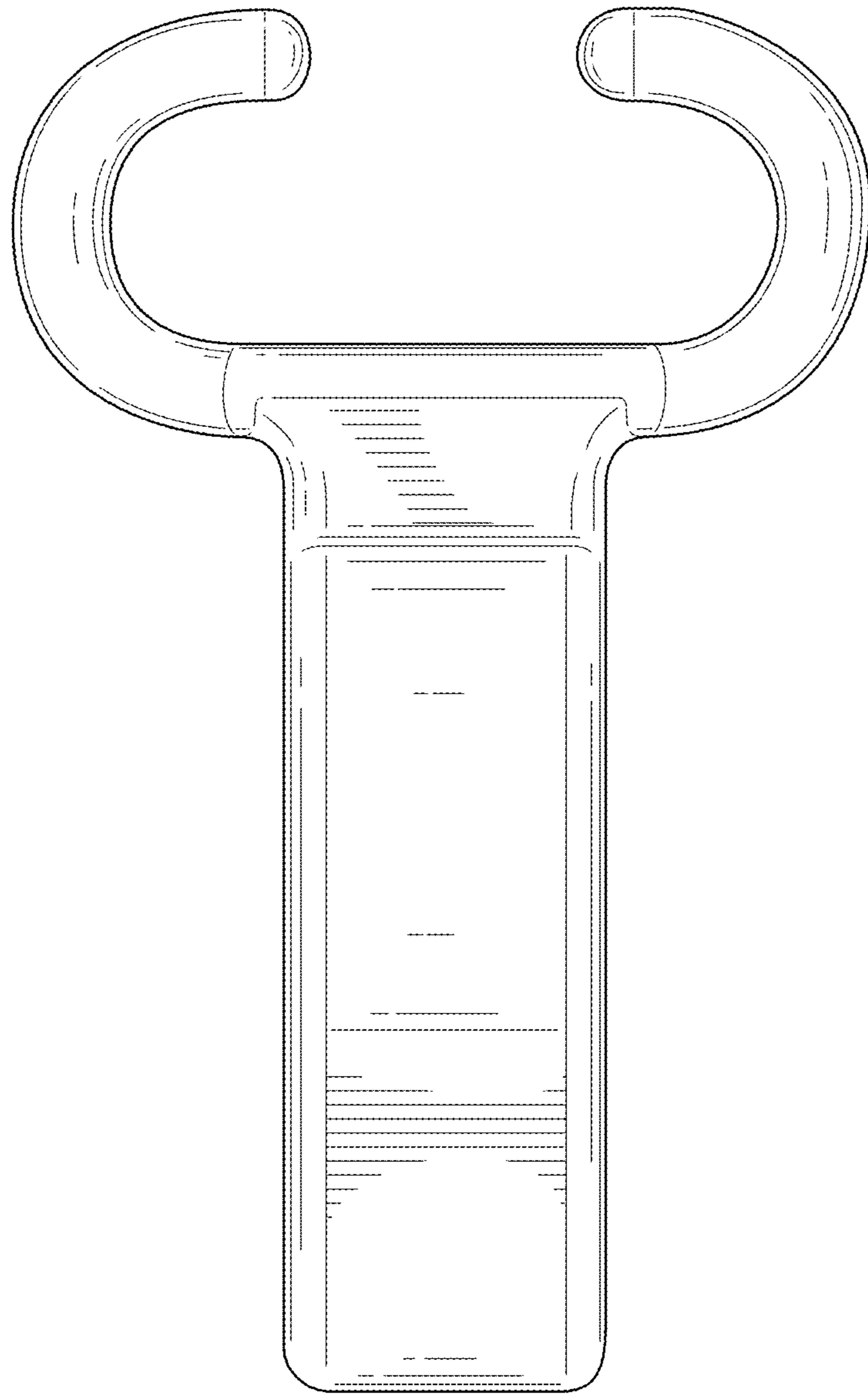




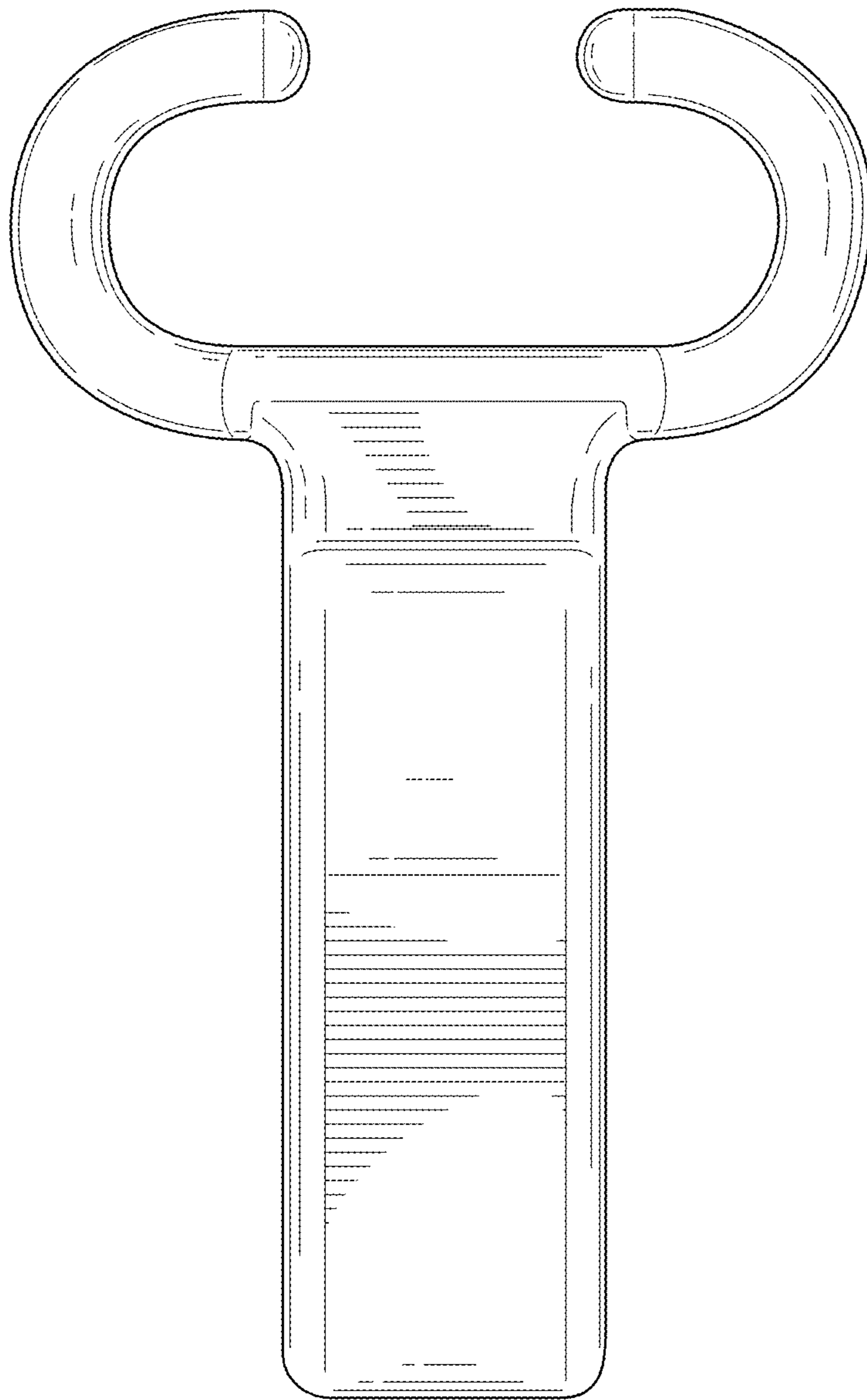
**FIG. 1**



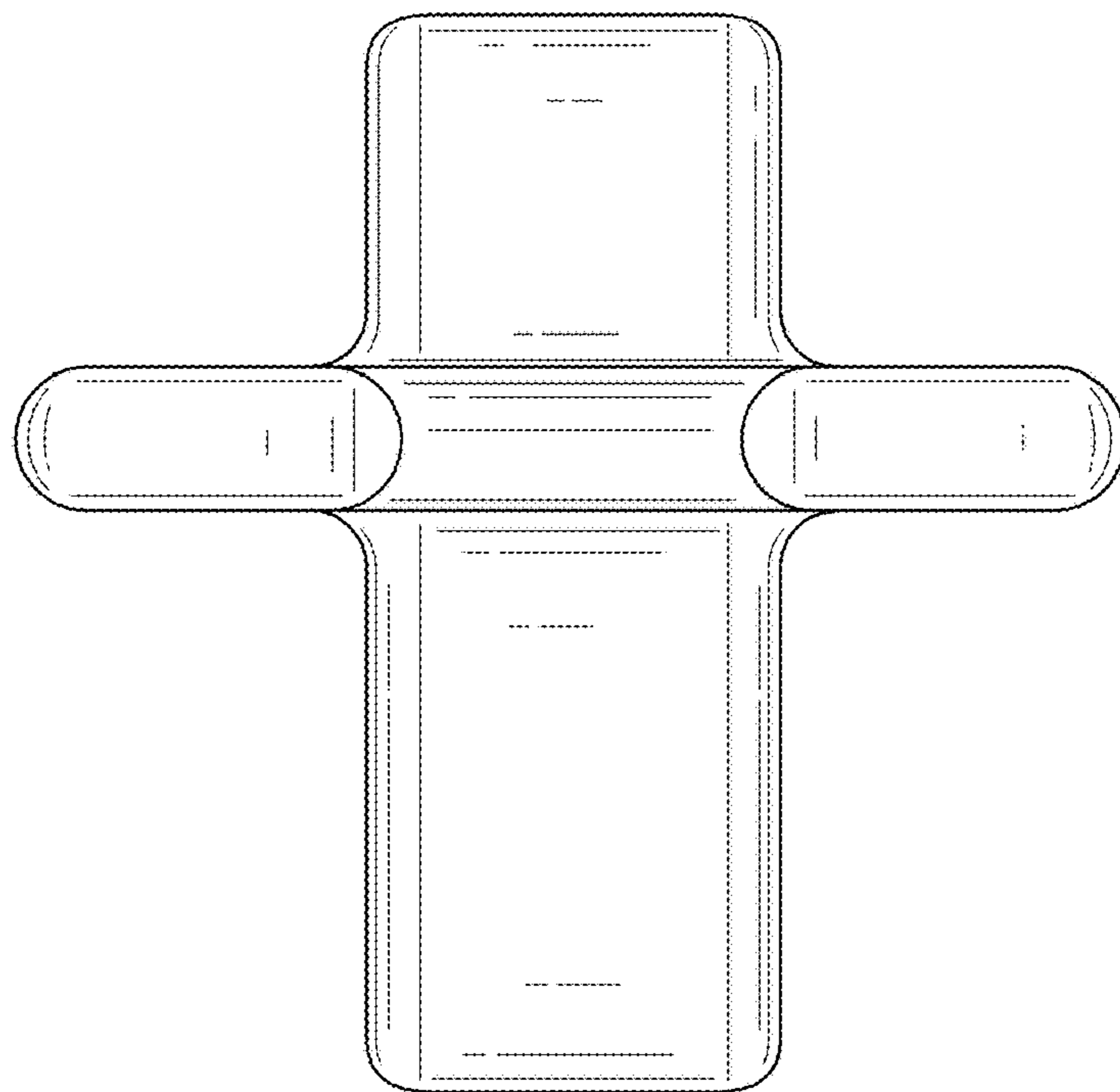
**FIG. 2**



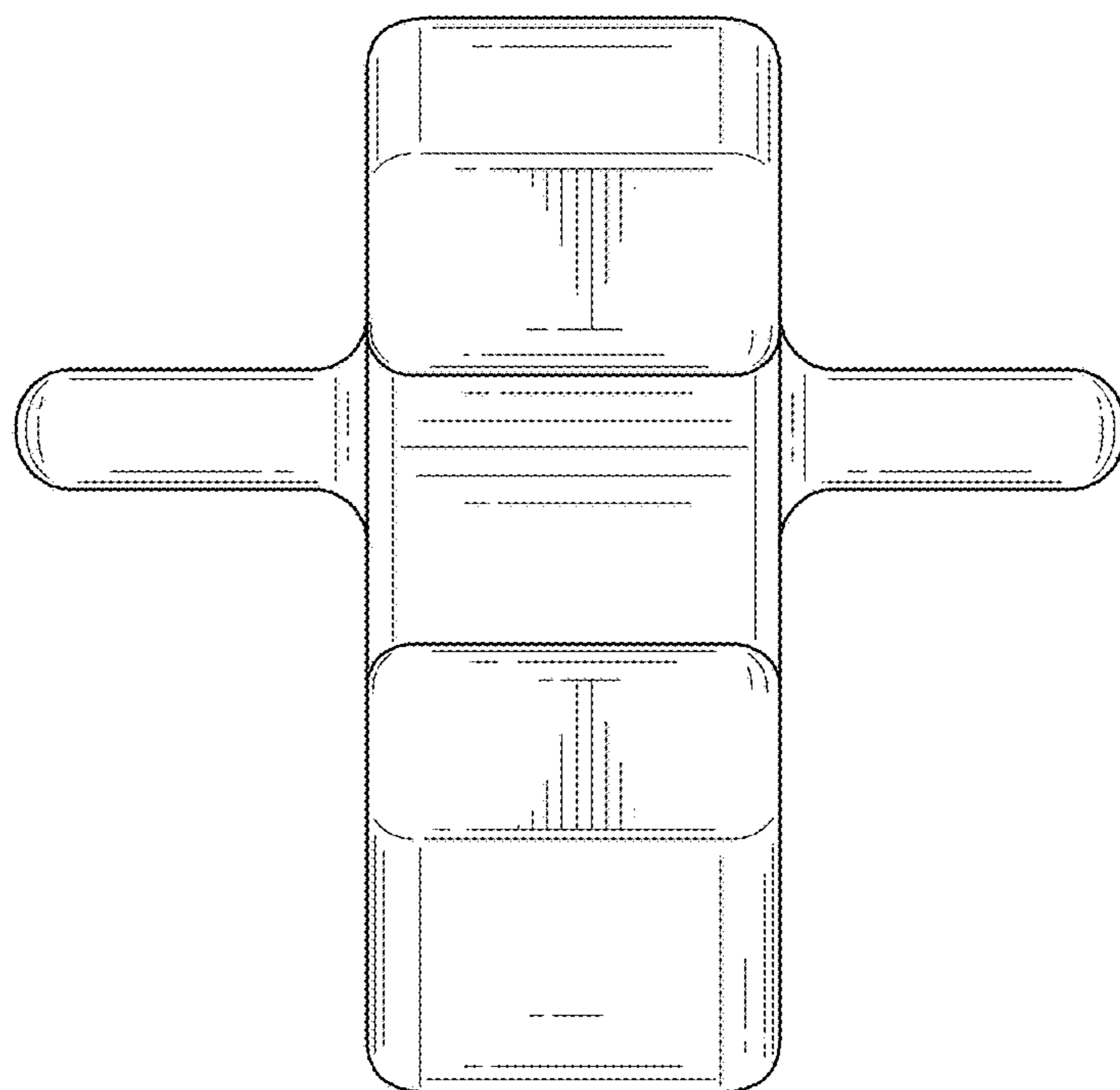
**FIG. 3**



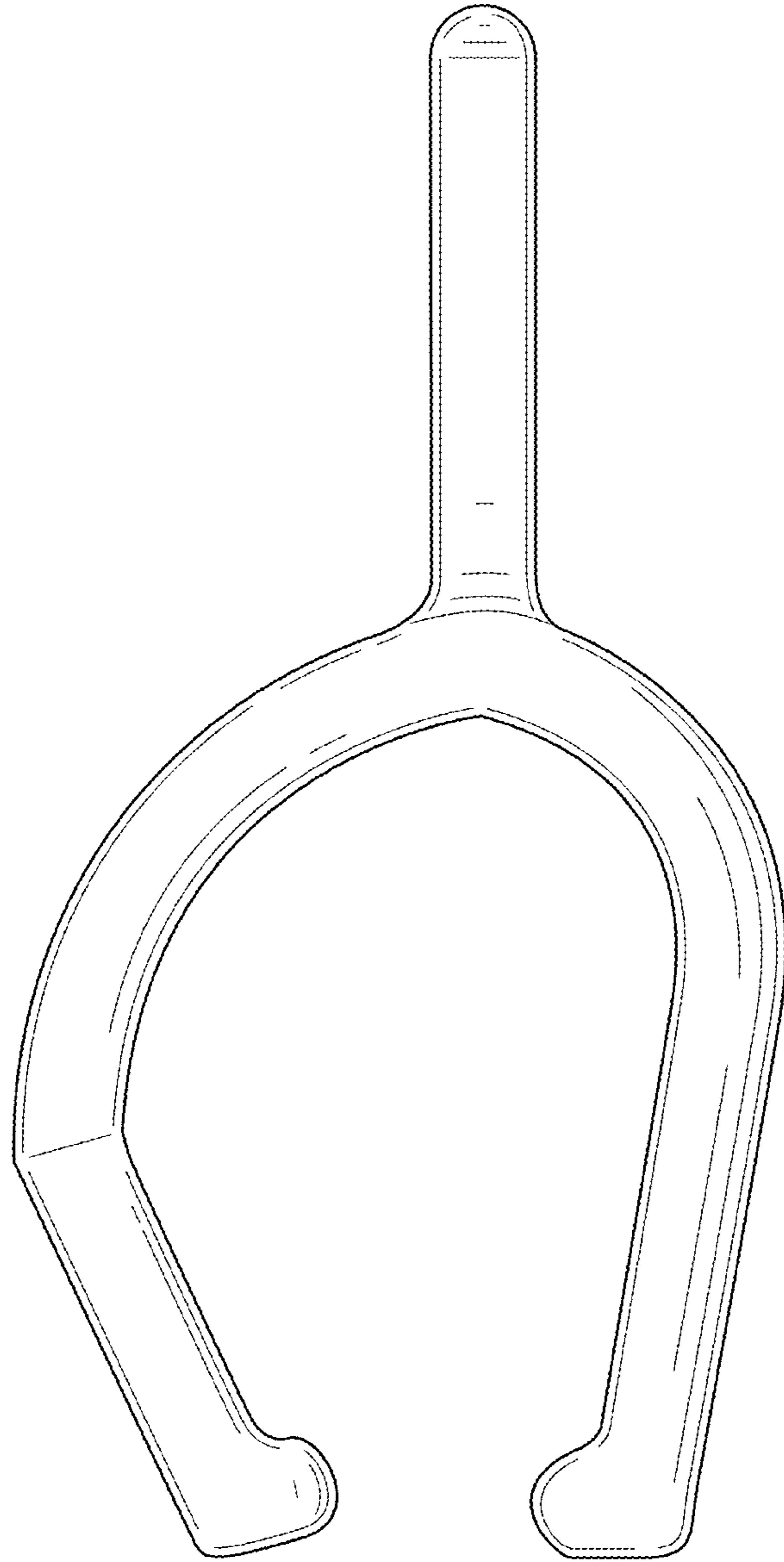
**FIG. 4**



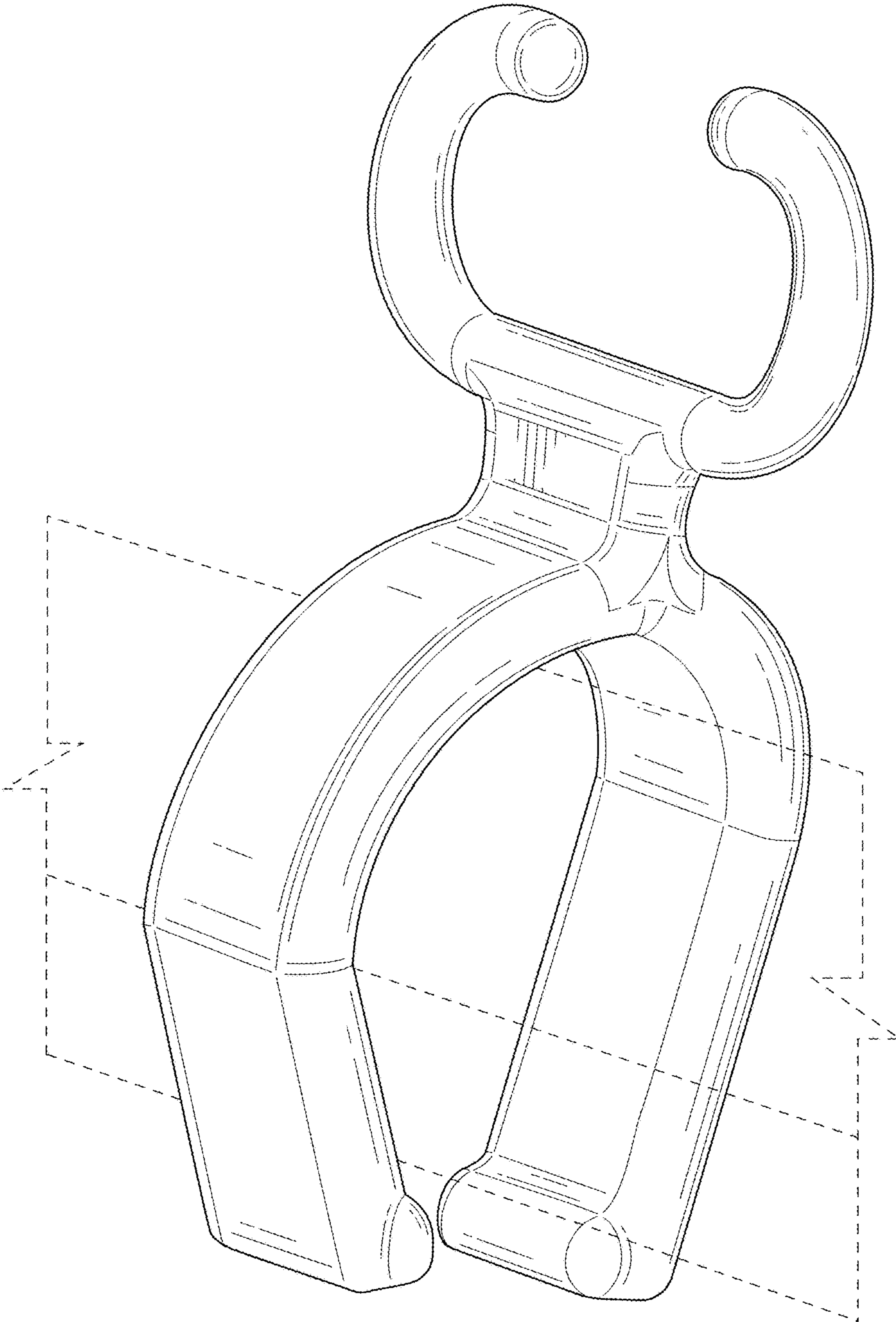
**FIG. 5**



**FIG. 6**



**FIG. 7**



**FIG. 8**