

US00D832084S

(12) **United States Design Patent**
Lin et al.

(10) **Patent No.:** **US D832,084 S**

(45) **Date of Patent:** **** Oct. 30, 2018**

(54) **CORD DISPENSER FOR VIDEO DISPLAY
AND ASSOCIATED CAMERA**

D672,223 S * 12/2012 Thompson D8/356
D724,935 S * 3/2015 Warner D8/356
D727,717 S * 4/2015 Byrne D8/356

(71) Applicant: **Outdoor's Insight, Inc.**, Crosslake, MN
(US)

* cited by examiner

(72) Inventors: **Renyi Lin**, Crosslake, MN (US);
Thomas Maschhoff, Crosslake, MN
(US)

Primary Examiner — Randall H Gholson

(74) *Attorney, Agent, or Firm* — Leason Ellis LLP

(73) Assignee: **OUTDOOR'S INSIGHT, INC.**,
Crosslake, MN (US)

(57) **CLAIM**

The ornamental design for a cord dispenser for video display
and associated camera, as shown and described.

(**) Term: **15 Years**

DESCRIPTION

(21) Appl. No.: **29/595,866**

FIG. 1 is a front and side perspective view of a cord
dispenser for video display and associated camera showing
our new design;

(22) Filed: **Mar. 2, 2017**

FIG. 2 is a rear and side perspective view thereof;

(51) **LOC (11) Cl.** **08-05**

FIG. 3 is a front elevation view thereof;

(52) **U.S. Cl.**

FIG. 4 is a rear elevation view thereof;

USPC **D8/356**; D14/239

FIG. 5 is a left side elevation view thereof;

(58) **Field of Classification Search**

USPC D8/356, 354, 349; 206/233; D14/239

FIG. 6 is a right side elevation view thereof;

CPC B65H 57/16; E02D 5/803; B63B 21/045;

B63B 59/02; B60D 1/18; B60P 1/103;

B60P 7/0823; Y10T 24/3918; A62B

35/0081; H04R 1/1033; A44B 13/0029

FIG. 7 is a bottom plan view thereof;

See application file for complete search history.

FIG. 8 is a top plan view thereof;

FIG. 9 is a front and side perspective view showing the cord
dispenser for video display and associated camera in an
exemplary environment attached to a rear of a display
housing and pivoted relative thereto; and,

(56) **References Cited**

U.S. PATENT DOCUMENTS

7,825,337 B2 * 11/2010 Young, IV H02G 3/30

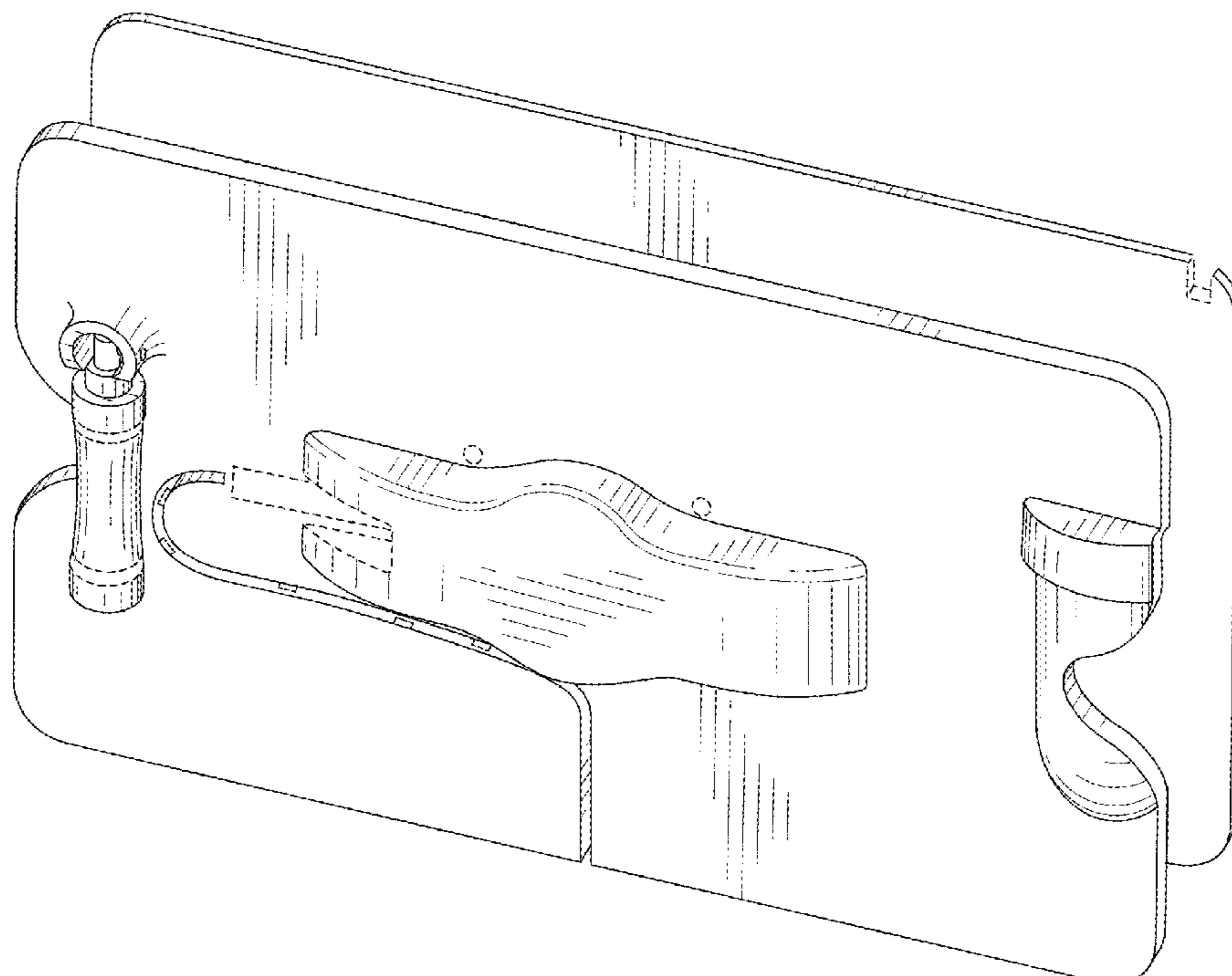
174/135

D642,896 S * 8/2011 Buras, Jr. D11/200

FIG. 10 is a bottom plan view showing the cord dispenser for
video display and associated camera in an exemplary envi-
ronment attached to a rear of a display housing.

The broken lines shown in FIGS. 1-10, showing a rear
portion of a display housing, a camera, a cable, an adapter
and other features, are for illustrative purposes only and
form no part of the claimed design.

1 Claim, 10 Drawing Sheets



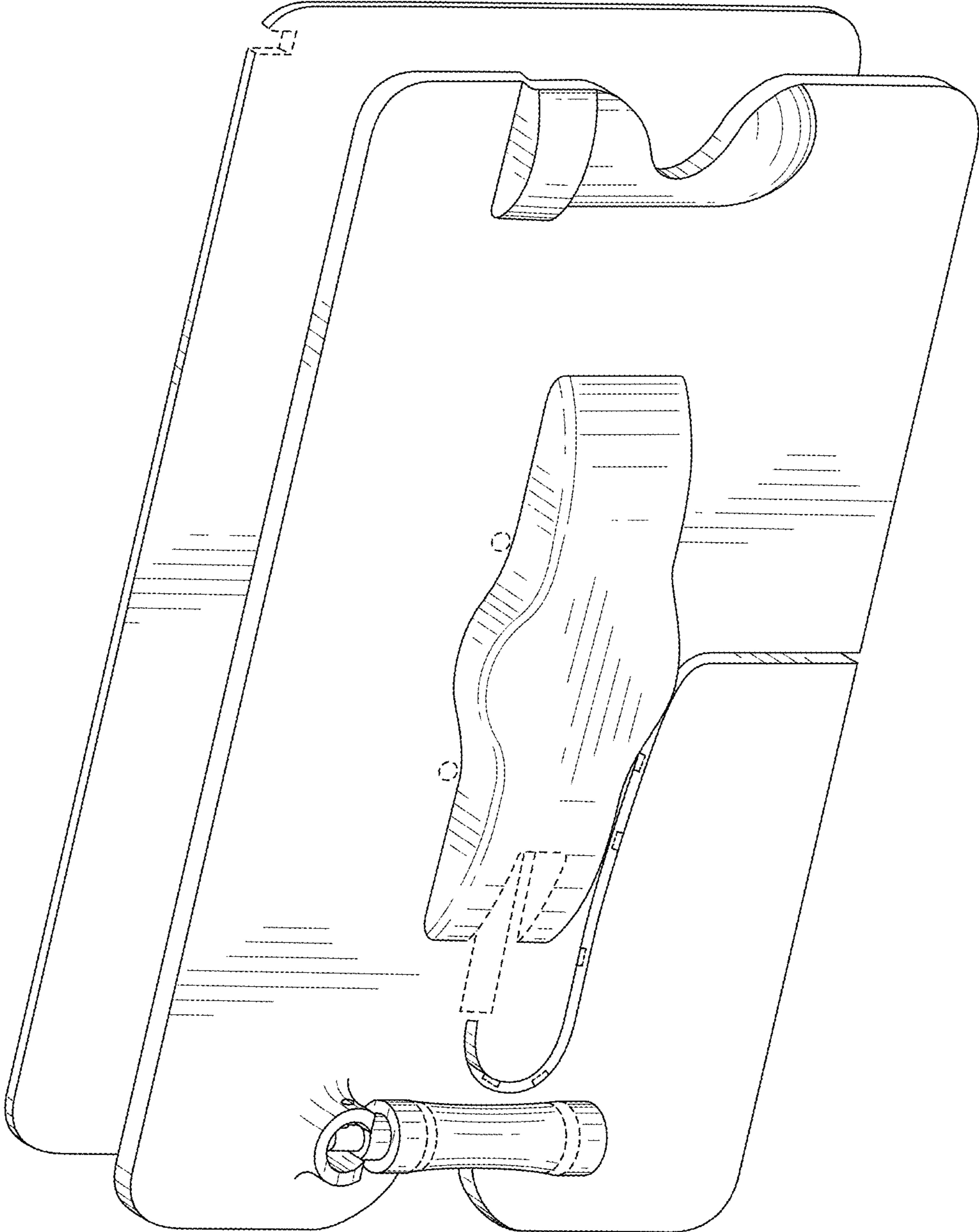


Fig. 1

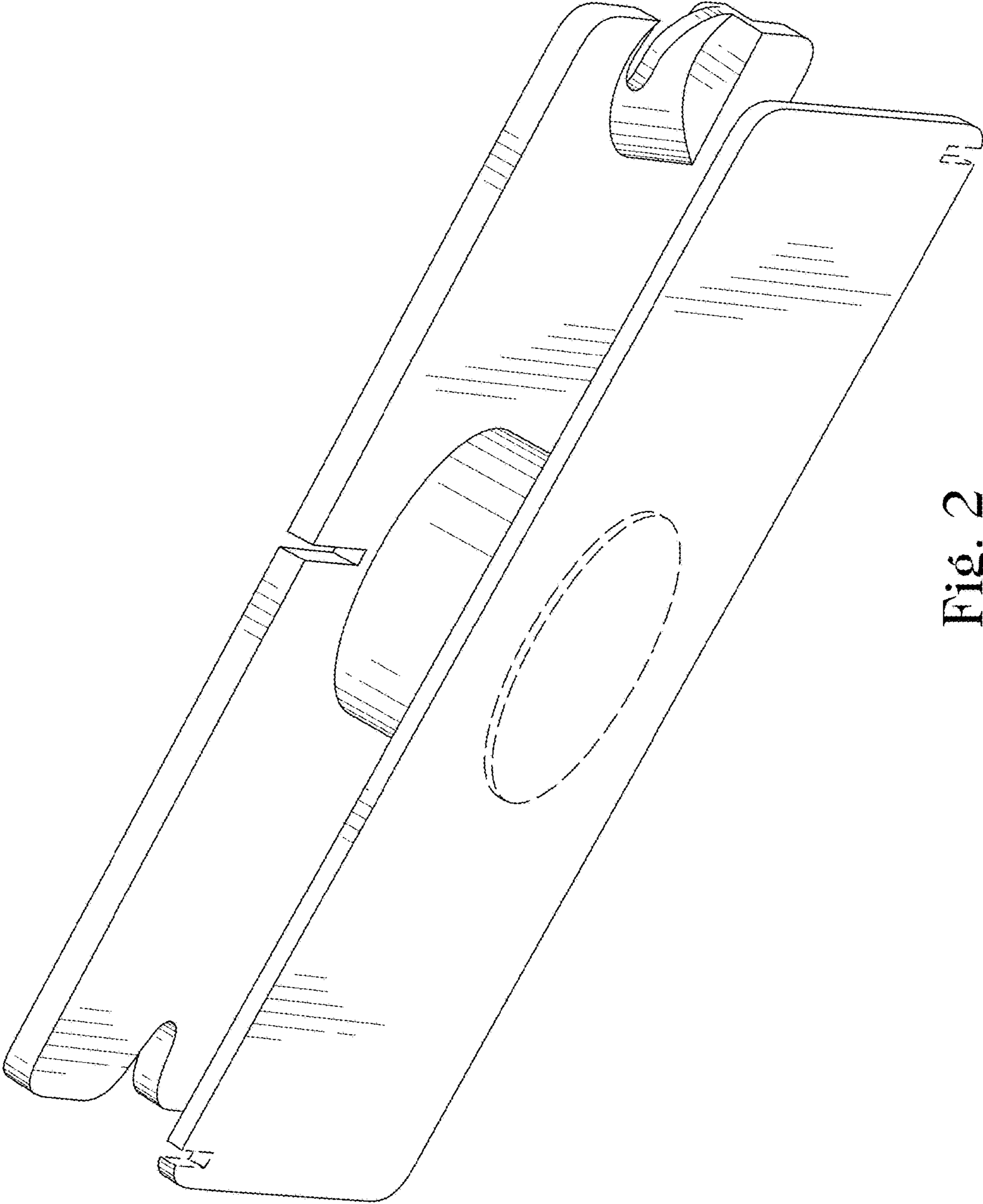


Fig. 2

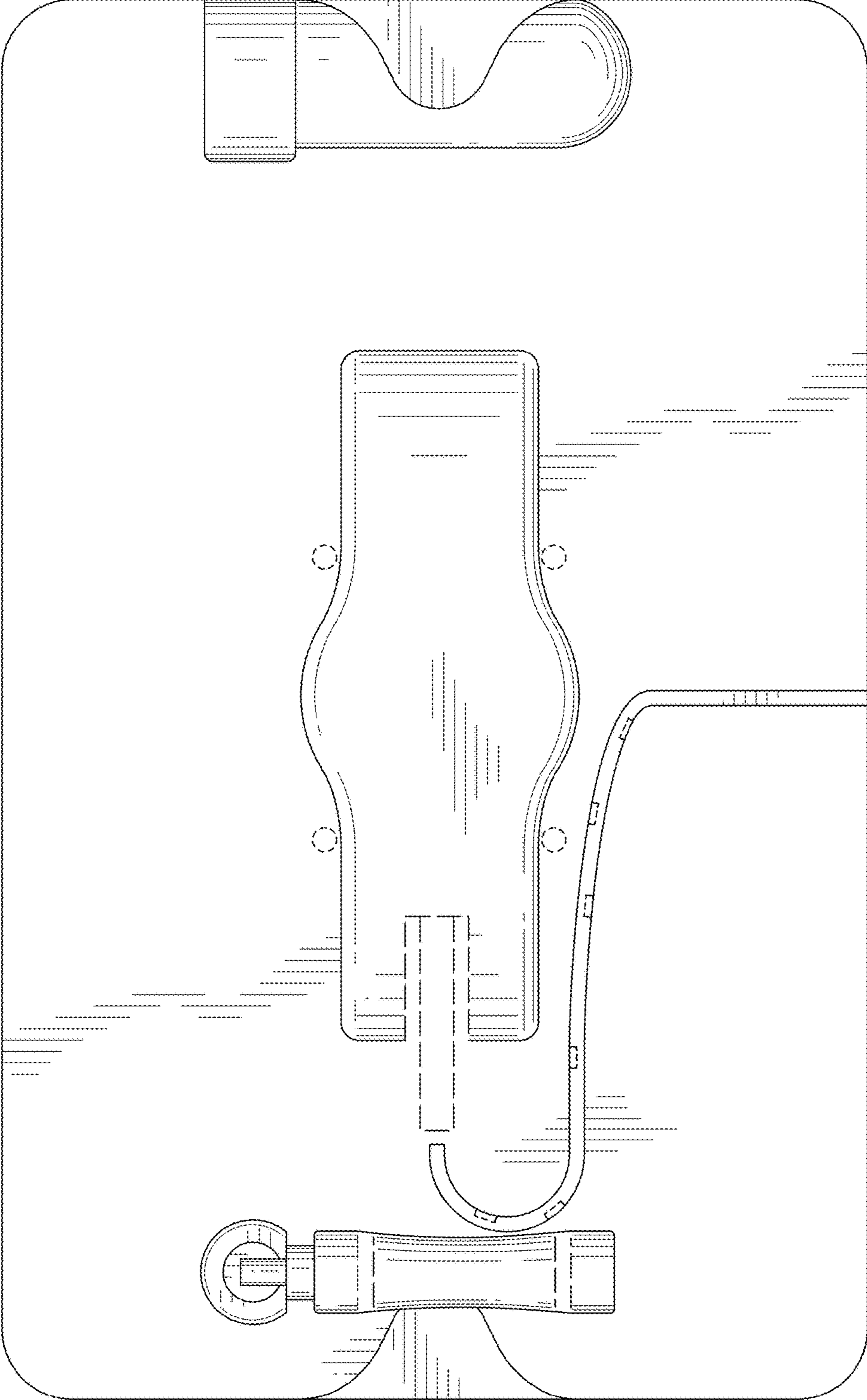


Fig. 3

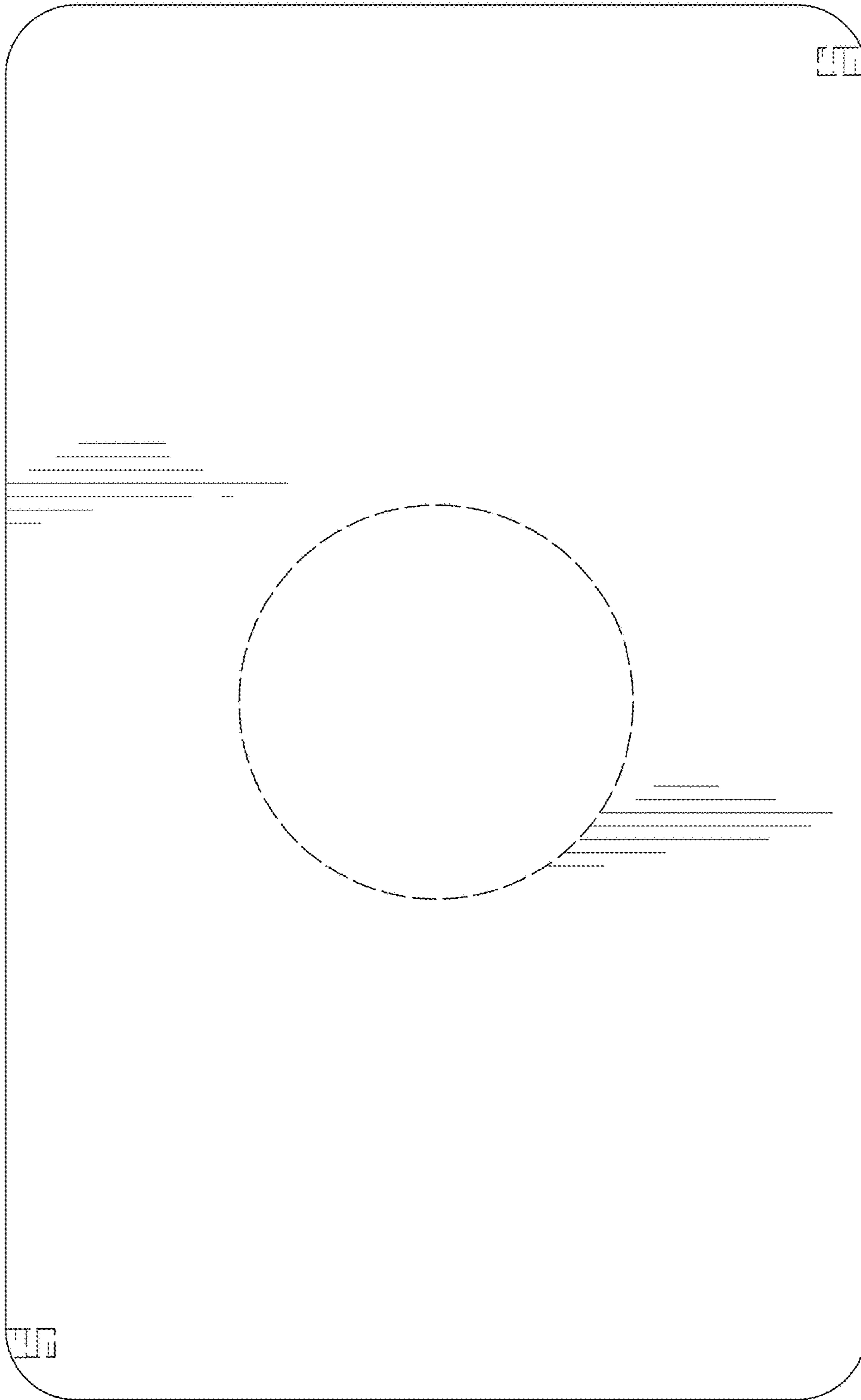


Fig. 4

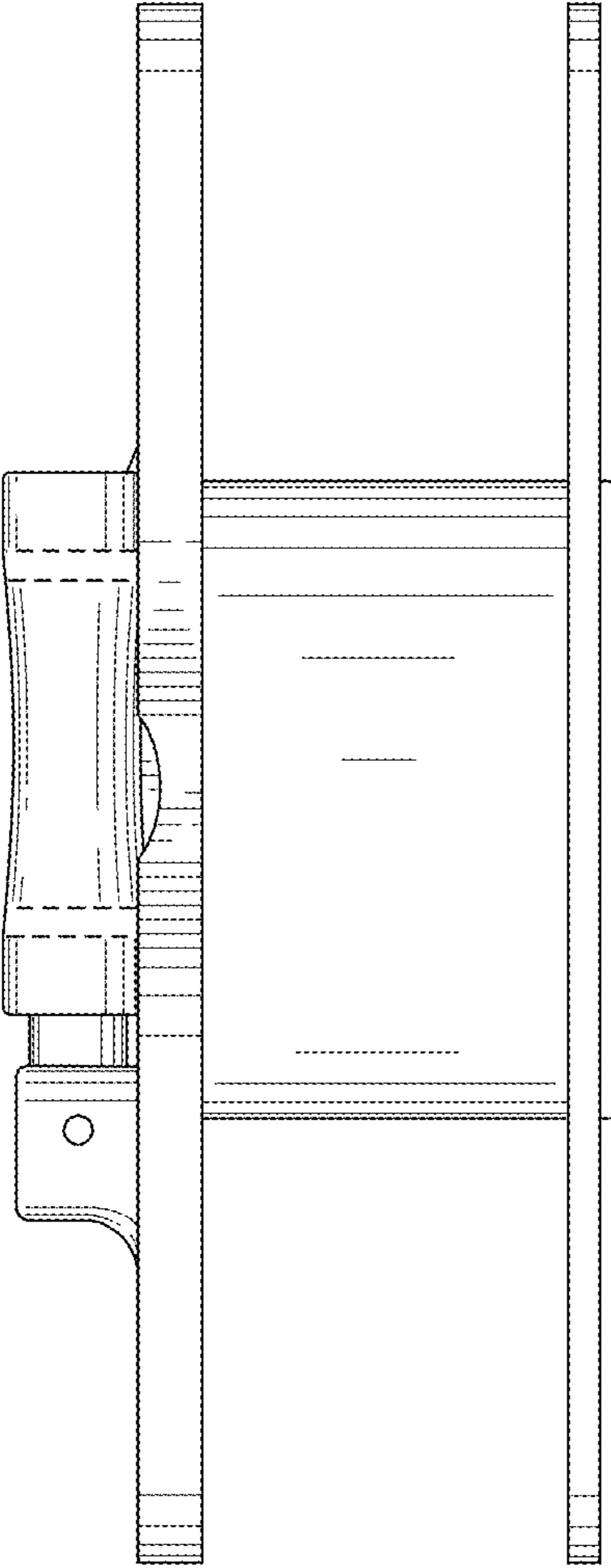


Fig. 5

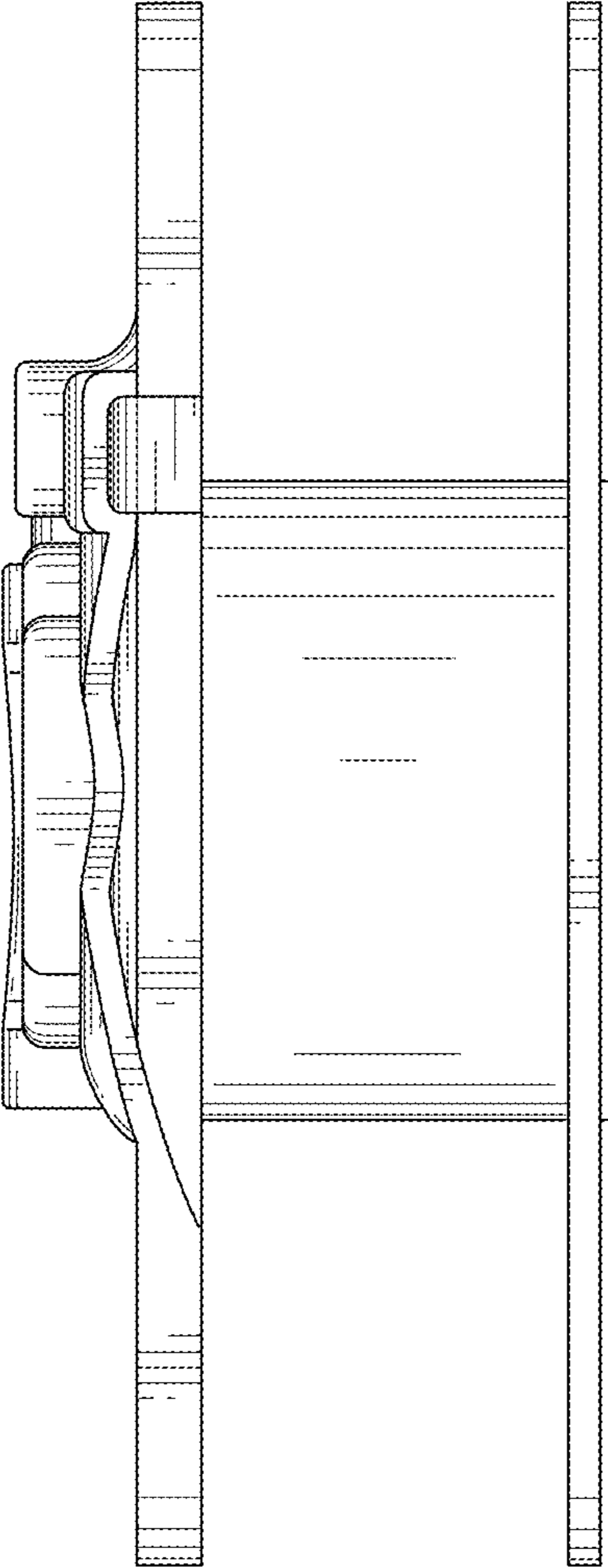


Fig. 6

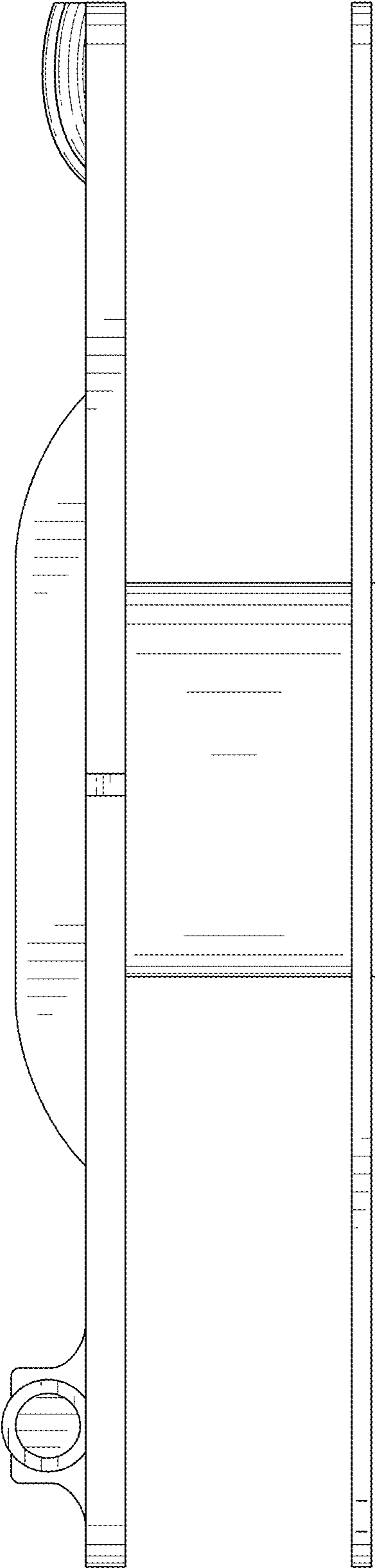


Fig. 7

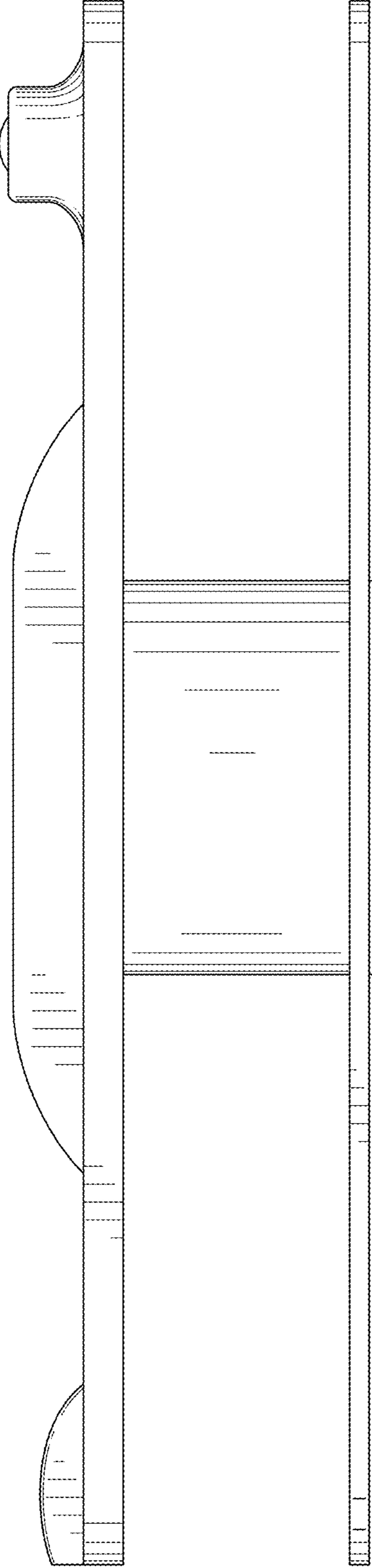


Fig. 8

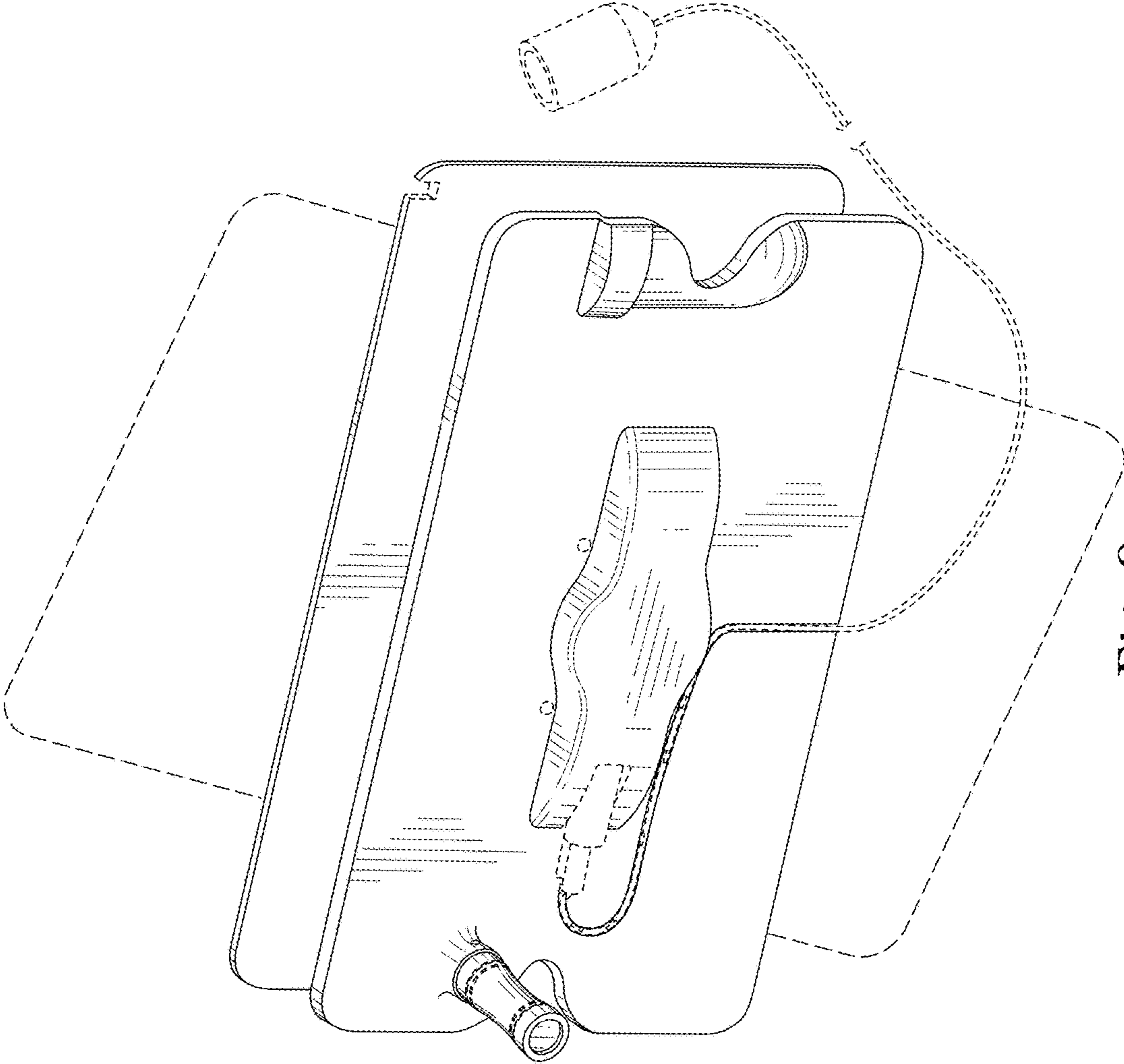


Fig. 9

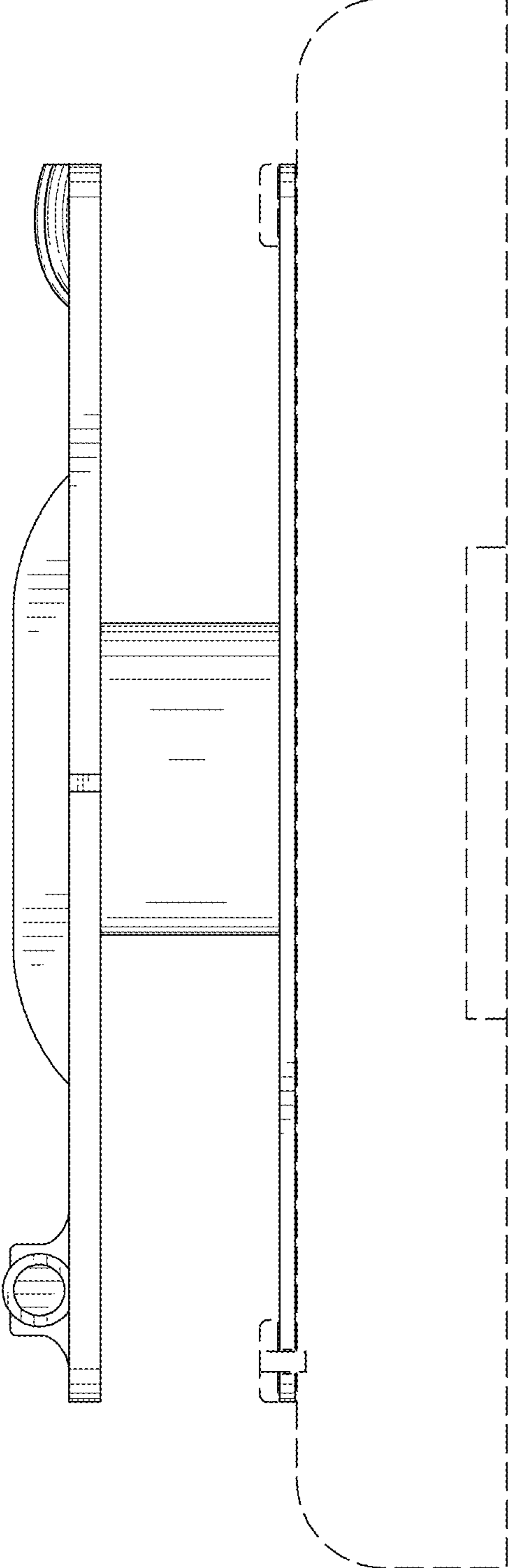


Fig. 10