



US00D832082S

(12) **United States Design Patent**
Chapman

(10) **Patent No.:** **US D832,082 S**
(45) **Date of Patent:** **** Oct. 30, 2018**

- (54) **MOVABLE SLIDE LOCK COVER**
- (71) Applicant: **Global Products International Group, LLC**, Tucker, GA (US)
- (72) Inventor: **G. Paul Chapman**, Cumming, GA (US)
- (73) Assignee: **Global Products International Group, LLC**, Tucker, GA (US)
- (**) Term: **15 Years**
- (21) Appl. No.: **29/591,379**
- (22) Filed: **Jan. 19, 2017**
- (51) **LOC (11) Cl.** **08-07**
- (52) **U.S. Cl.**
- (58) **Field of Classification Search**
USPC **D8/341**; D8/339; D8/330
USPC D8/330, 331, 339-342, 349, 367, 400;
70/14, 19, 57, 57.1, 58, 51, 52, 199, 237,
(Continued)

(56) **References Cited**

U.S. PATENT DOCUMENTS

- 3,649,060 A * 3/1972 Ruff E05C 1/04
292/147
- 5,350,207 A 9/1994 Sanders
(Continued)

OTHER PUBLICATIONS

U.S. Appl. No. 15/013,599, Astragal with Covered Slidable Lock.

Primary Examiner — Elizabeth J Oswecki

(74) *Attorney, Agent, or Firm* — Thomas | Horstemeyer, LLP

(57) **CLAIM**

The ornamental design for a movable slide lock cover, as shown and described.

DESCRIPTION

FIG. 1 is a front view of a movable slide lock cover according to a first embodiment of the disclosure, wherein the movable slide lock cover is shown in a closed position;

FIG. 2 is a rear view thereof;
 FIG. 3 is a first side view thereof;
 FIG. 4 is a second side view thereof from a side opposite that of FIG. 3;
 FIG. 5 is a bottom view thereof;
 FIG. 6 is a top view thereof;
 FIG. 7 is a front upper perspective view thereof;
 FIG. 8 is a rear lower perspective view thereof;
 FIG. 9 is a front upper perspective view of the first embodiment of the movable slide lock cover installed in an astragal, wherein the movable slide lock cover is shown in a closed position;
 FIG. 10 is a front view thereof, wherein the movable slide lock cover is shown in an open position;
 FIG. 11 is a rear view thereof;
 FIG. 12 is a first side view thereof;
 FIG. 13 is a second side view thereof from a side opposite that of FIG. 12;
 FIG. 14 is a bottom view thereof;
 FIG. 15 is a top view thereof;
 FIG. 16 is a front upper perspective view thereof;
 FIG. 17 is a rear lower perspective view thereof;
 FIG. 18 is a front upper perspective view of the first embodiment of the movable slide lock cover installed in the astragal, wherein the movable slide lock cover is shown in an open position;
 FIG. 19 is a front view of a movable slide lock cover according to a second embodiment of the disclosure, wherein the movable slide lock cover is shown in a closed position;
 FIG. 20 is a rear view thereof;
 FIG. 21 is a first side view thereof;
 FIG. 22 is a second side view thereof from a side opposite that of FIG. 21;
 FIG. 23 is a bottom view thereof;
 FIG. 24 is a top view thereof;
 FIG. 25 is a front upper perspective view thereof;
 FIG. 26 is a rear lower perspective view thereof;
 FIG. 27 is a front upper perspective view of the second embodiment of the moveable slide lock cover installed in an astragal, wherein the movable slide lock cover is shown in a closed position;
 FIG. 28 is a front view thereof, wherein the movable slide lock cover is shown in an open position;

(Continued)

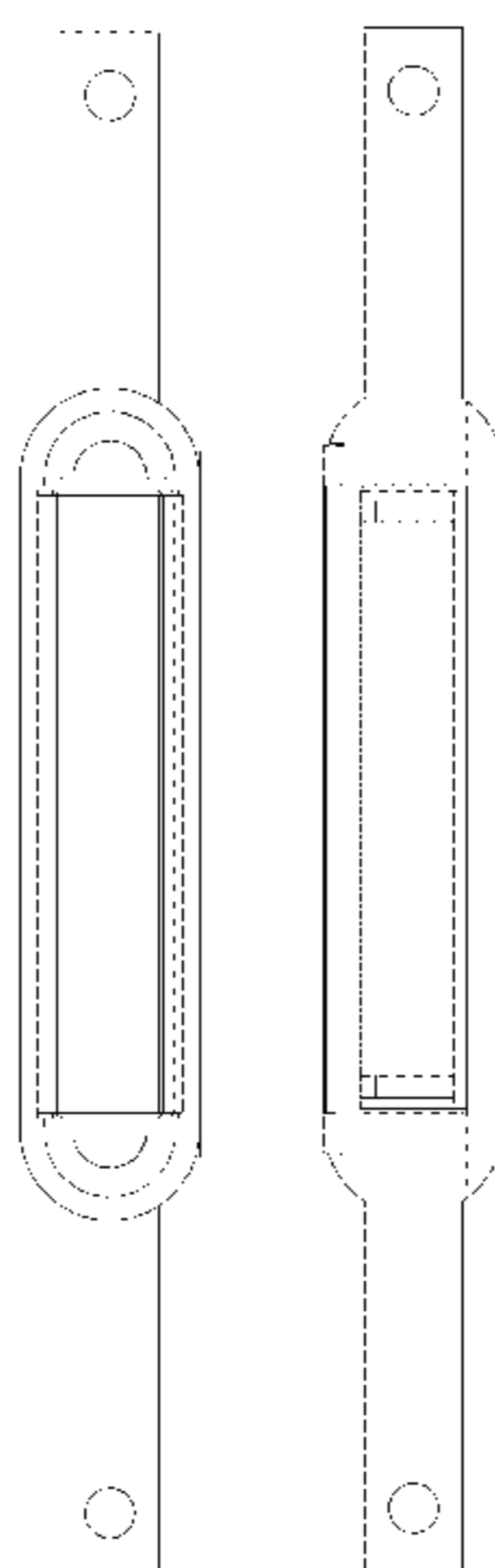


FIG. 29 is a rear view thereof;
 FIG. 30 is a first side view thereof;
 FIG. 31 is a second side view thereof from a side opposite that of FIG. 30;
 FIG. 32 is a bottom view thereof;
 FIG. 33 is a top view thereof;
 FIG. 34 is a front upper perspective view thereof;
 FIG. 35 is a rear lower perspective view thereof; and,
 FIG. 36 is a front upper perspective view of the second embodiment of the movable slide lock cover installed in the astragal, wherein the movable slide lock cover is shown in an open position.
 The broken lines are for the purpose of illustrating environment only and form no part of the claimed design.

1 Claim, 20 Drawing Sheets

(58) **Field of Classification Search**

USPC 70/240, 431, 288, 94, 99; 292/92, 339, 292/259 R, 259 A, 57, 262, 273, 305, 292/306, DIG. 47, DIG. 55, DIG. 60; 49/57, 61, 62, 303, 463-466
 CPC ... E05B 3/00; E05B 9/02; E05B 15/00; E05B 55/00

See application file for complete search history.

(56)

References Cited

U.S. PATENT DOCUMENTS

5,590,919	A *	1/1997	Germano	E05C 1/02 292/137
D429,619	S *	8/2000	Monts de Oca	D8/331
D438,445	S *	3/2001	Monts de Oca	D8/331
6,905,152	B1 *	6/2005	Hudson	E05C 1/065 292/143
D520,338	S *	5/2006	Robert	D8/339
7,036,854	B1 *	5/2006	Lai	E05C 1/065 292/141
D524,633	S *	7/2006	Robert	D8/339
7,494,163	B2	2/2009	Monts de Oca		
7,543,860	B2 *	6/2009	Meeks	E05C 1/04 292/137
D778,139	S *	2/2017	Sarnowski	D8/331
D780,556	S *	3/2017	Chapman	D8/331
2005/0116424	A1	6/2005	Sanders		
2005/0120630	A1 *	6/2005	Sanders	E06B 3/365 49/365
2007/0205609	A1	9/2007	Meeks et al.		
2008/0157544	A1 *	7/2008	Phipps	E05B 17/2053 292/138
2010/0107503	A1	5/2010	Chapman		

* cited by examiner

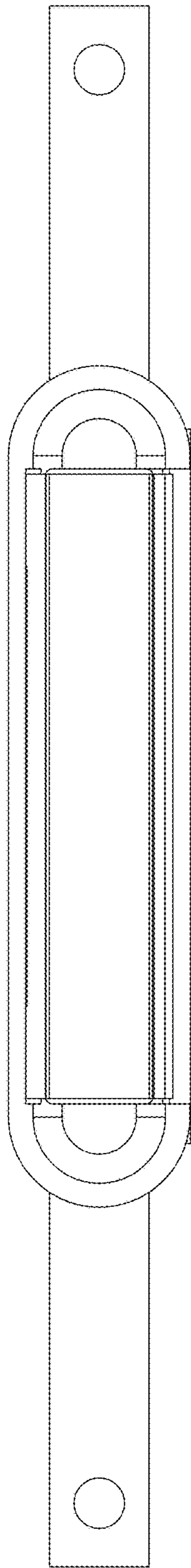


FIG. 1

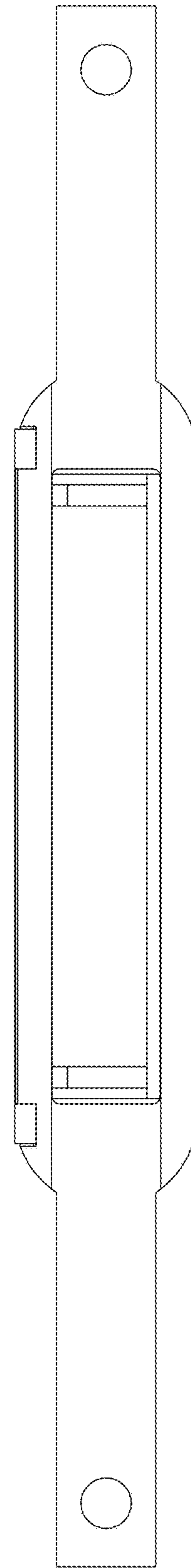


FIG. 2

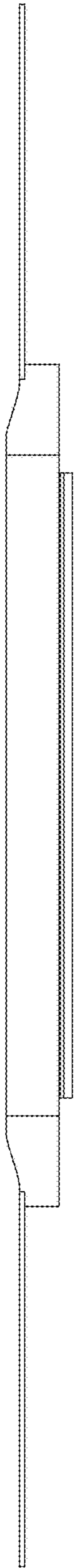


FIG. 3

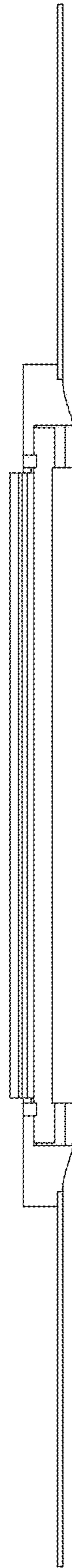


FIG. 4

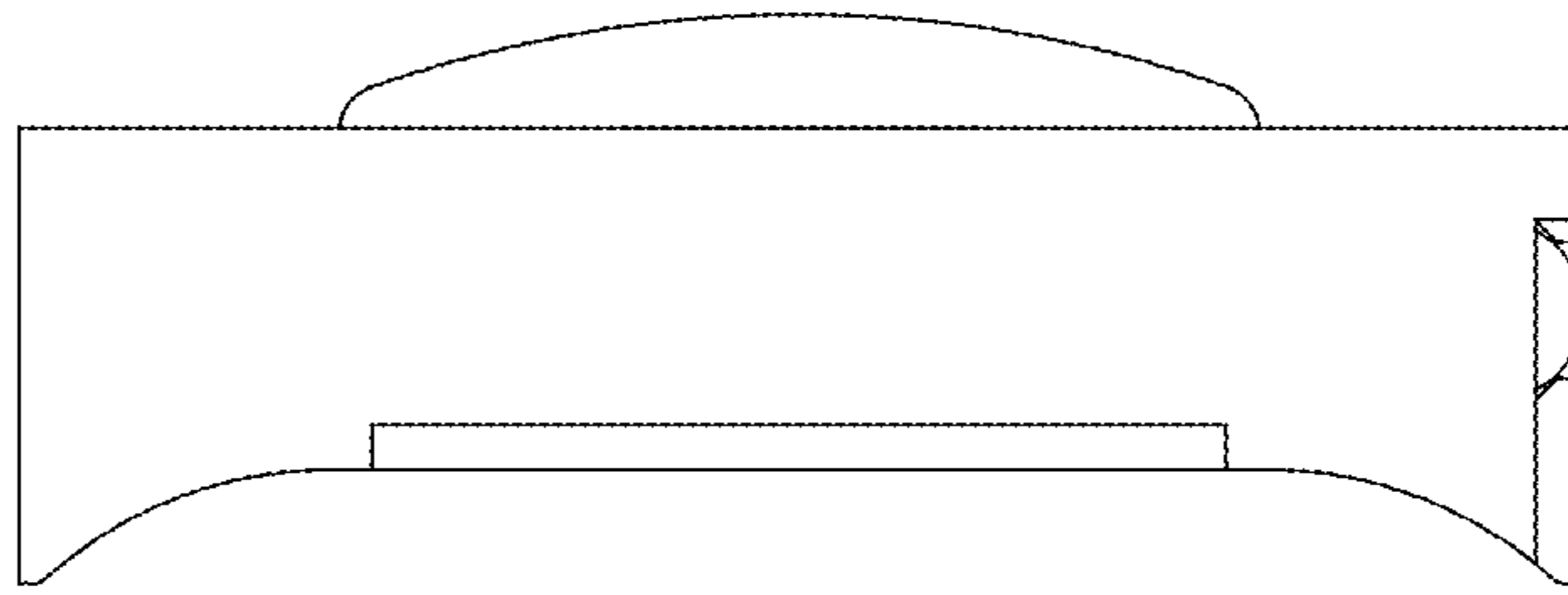


FIG. 5

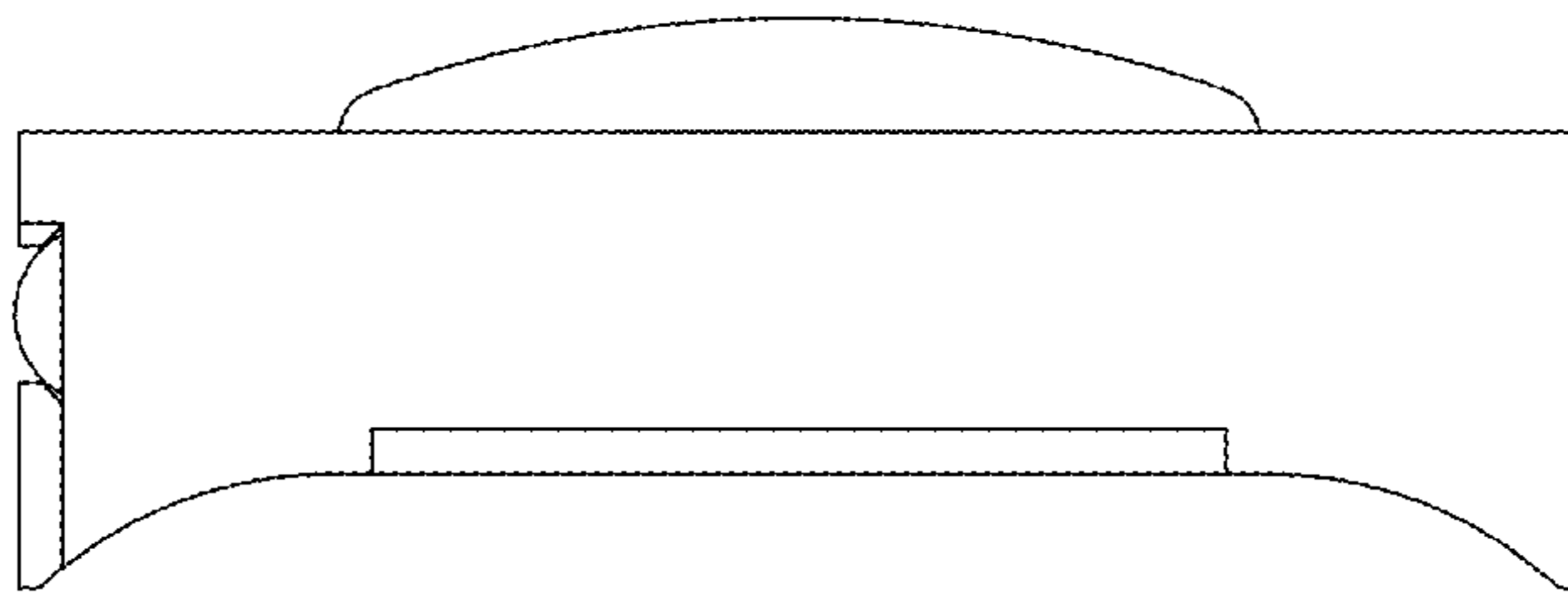


FIG. 6

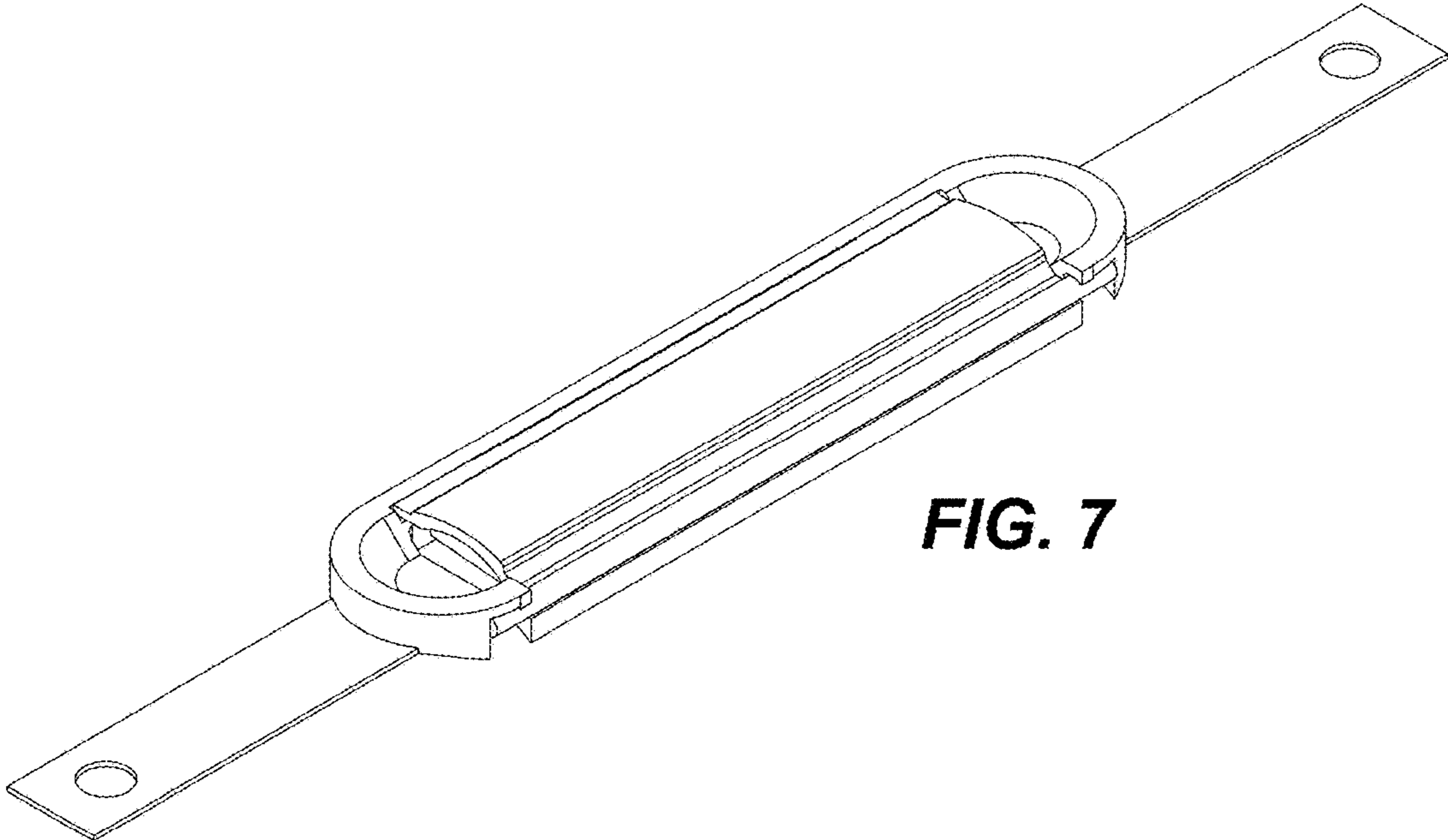


FIG. 7

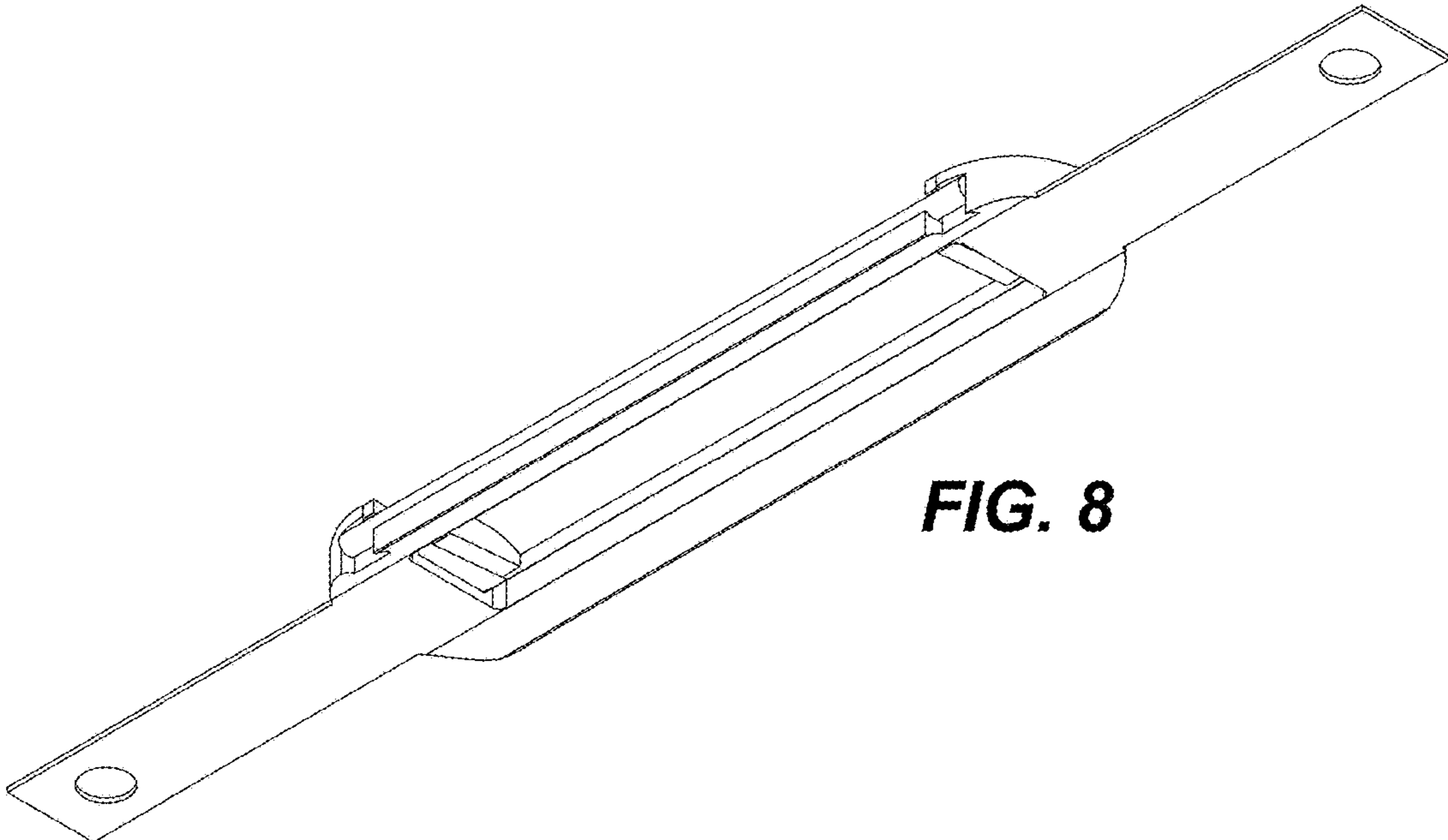


FIG. 8

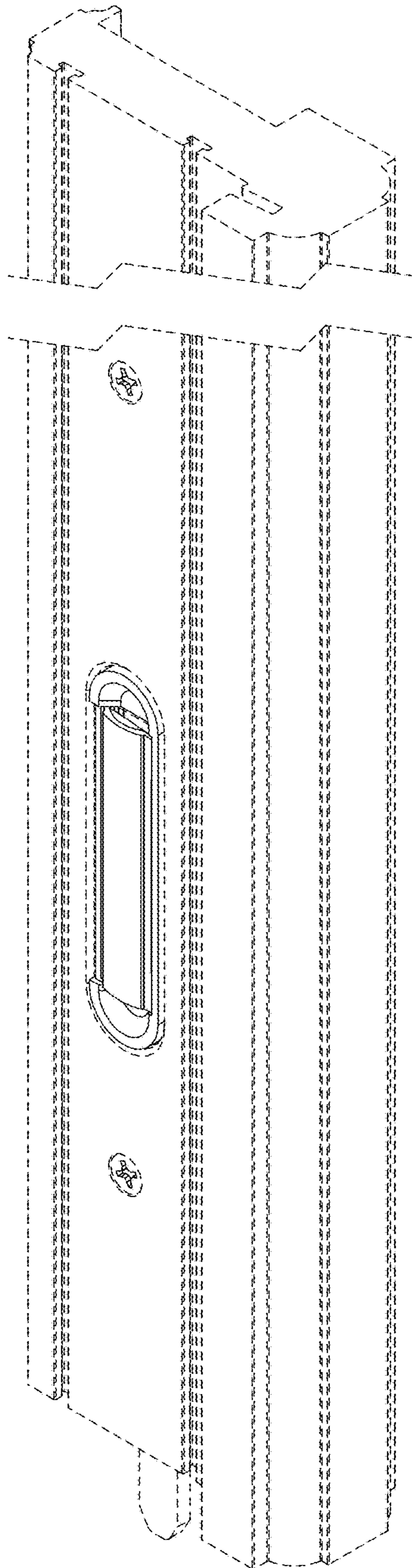


FIG. 9

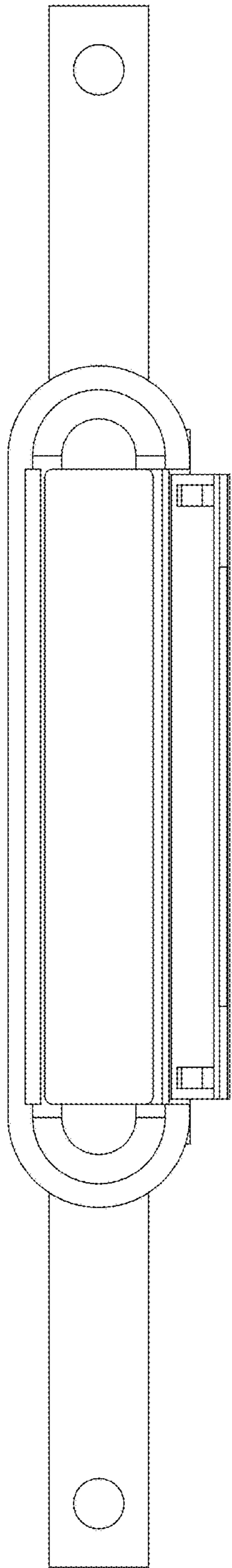


FIG. 10

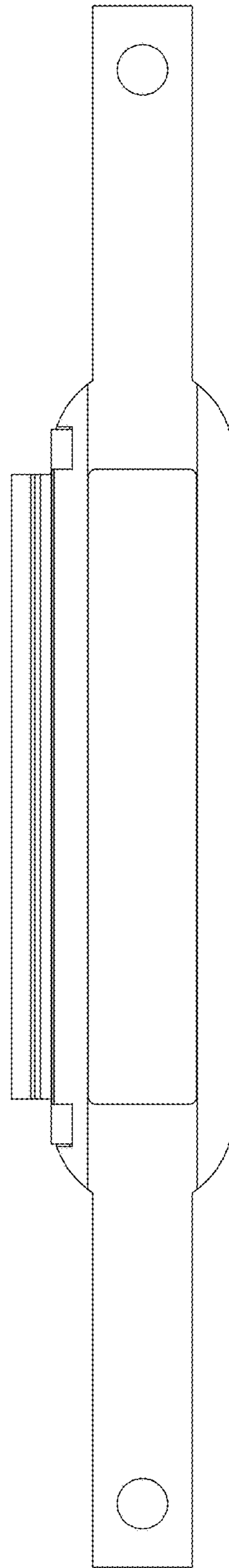


FIG. 11

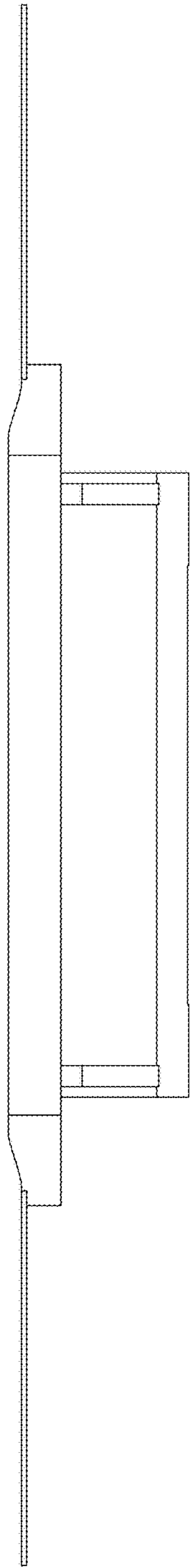


FIG. 12

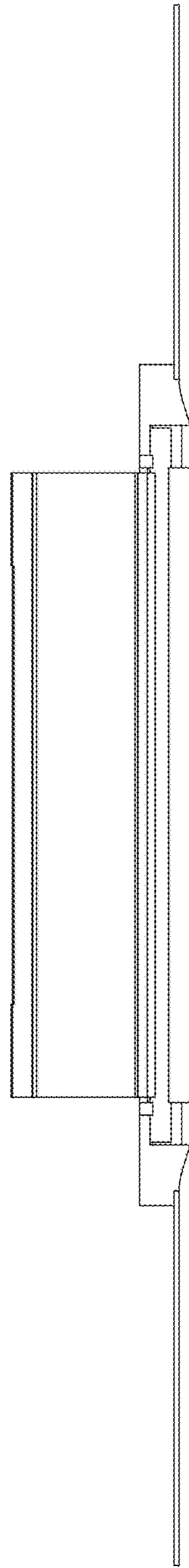


FIG. 13

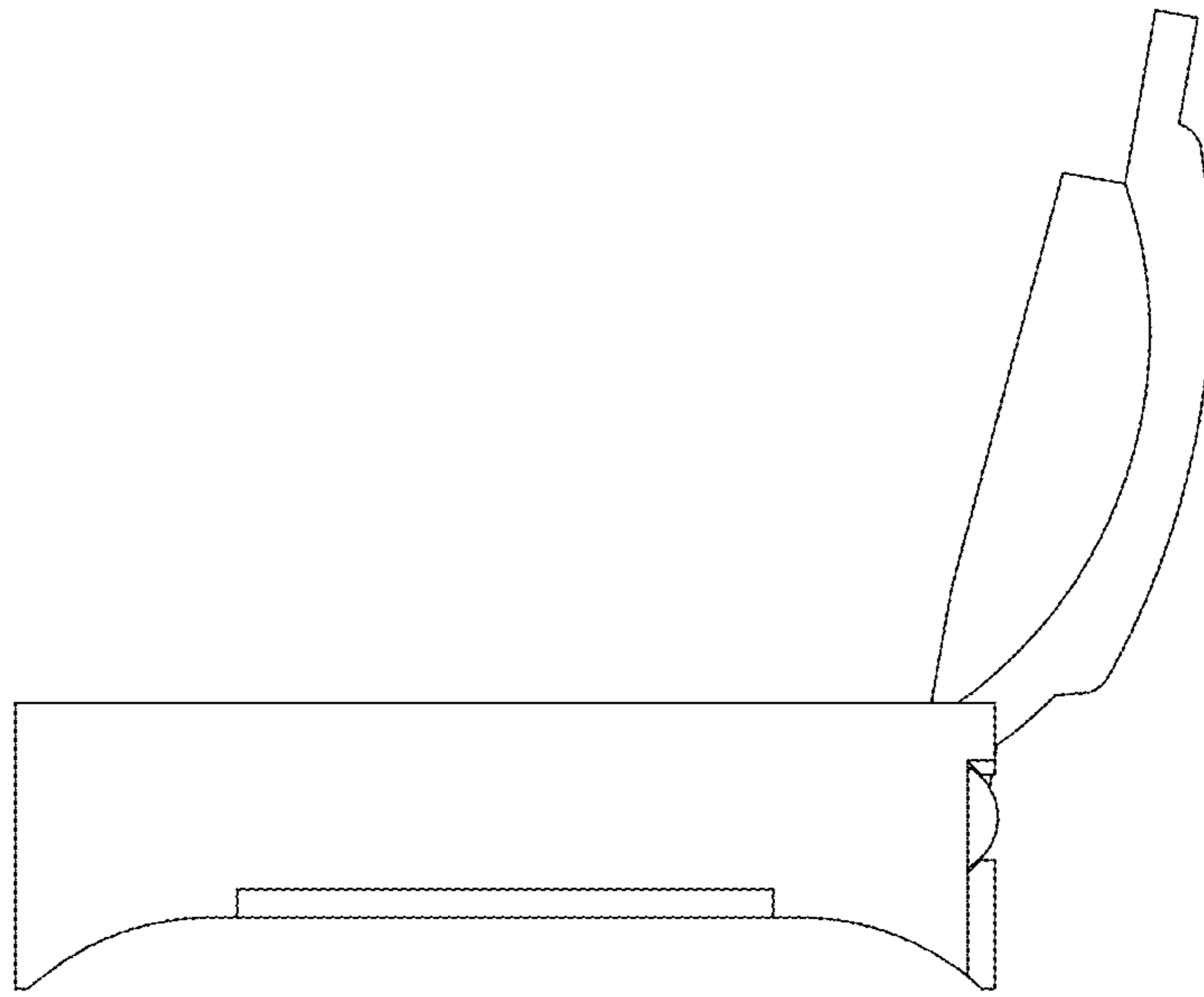


FIG. 14

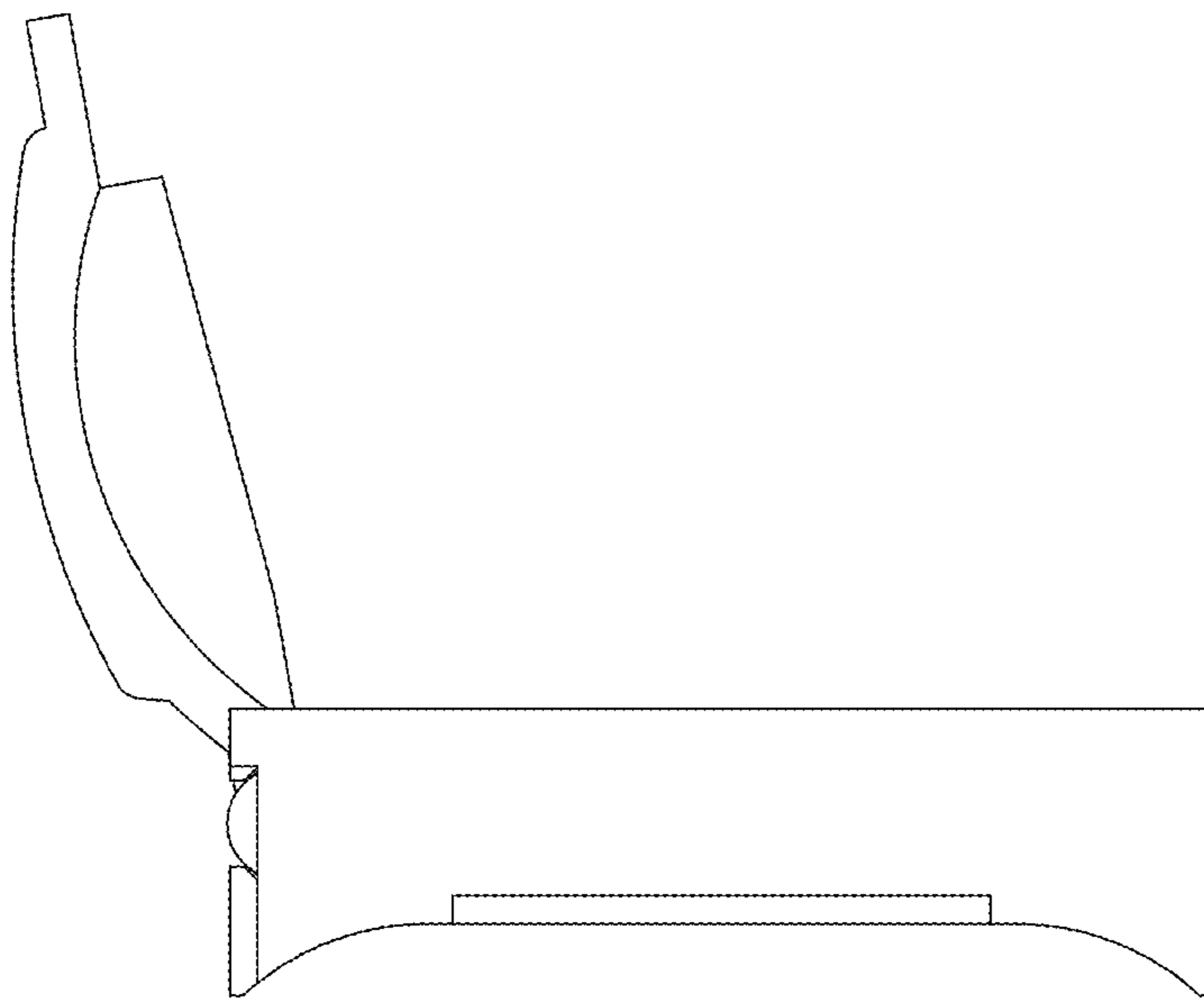


FIG. 15

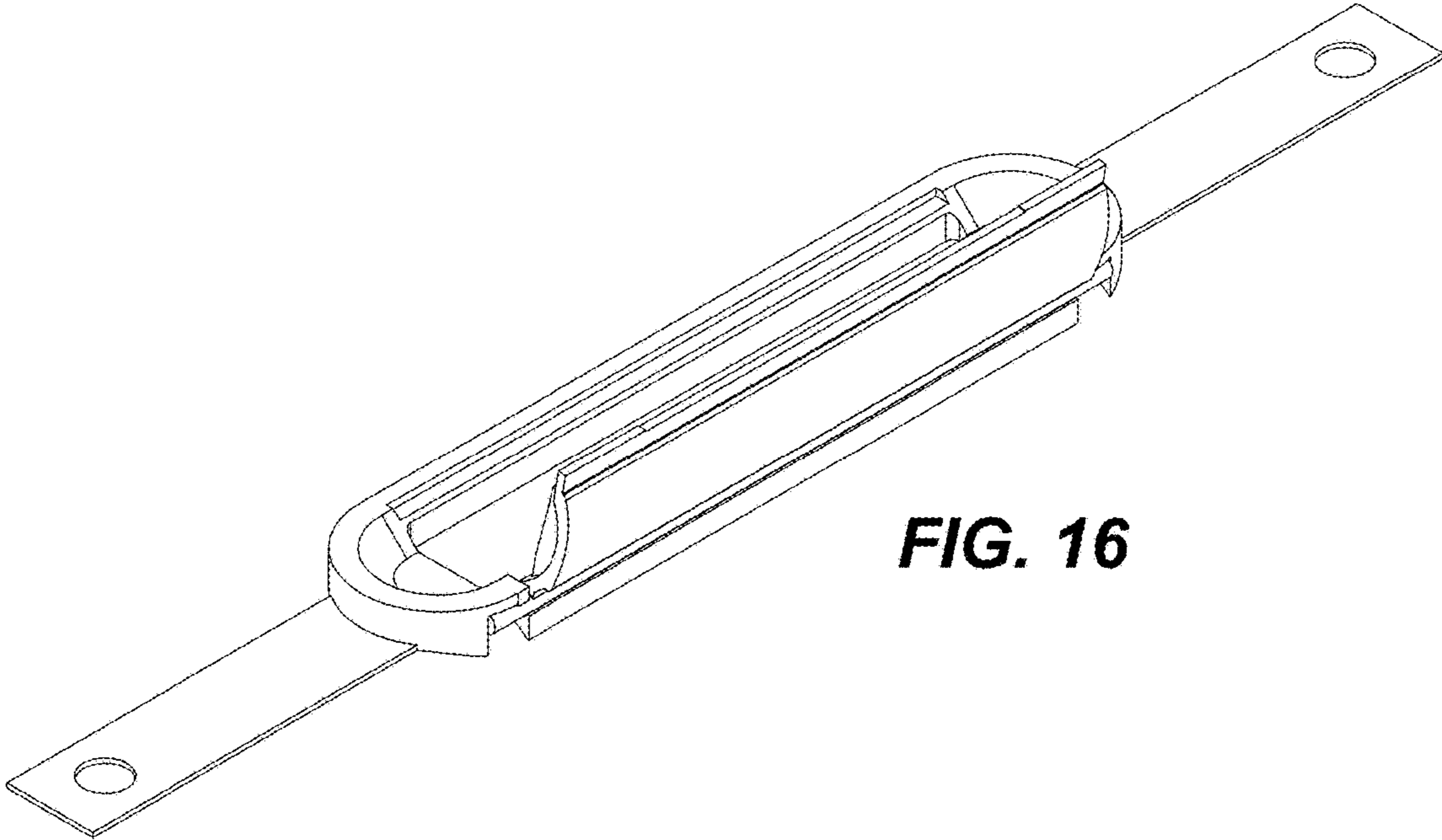


FIG. 16

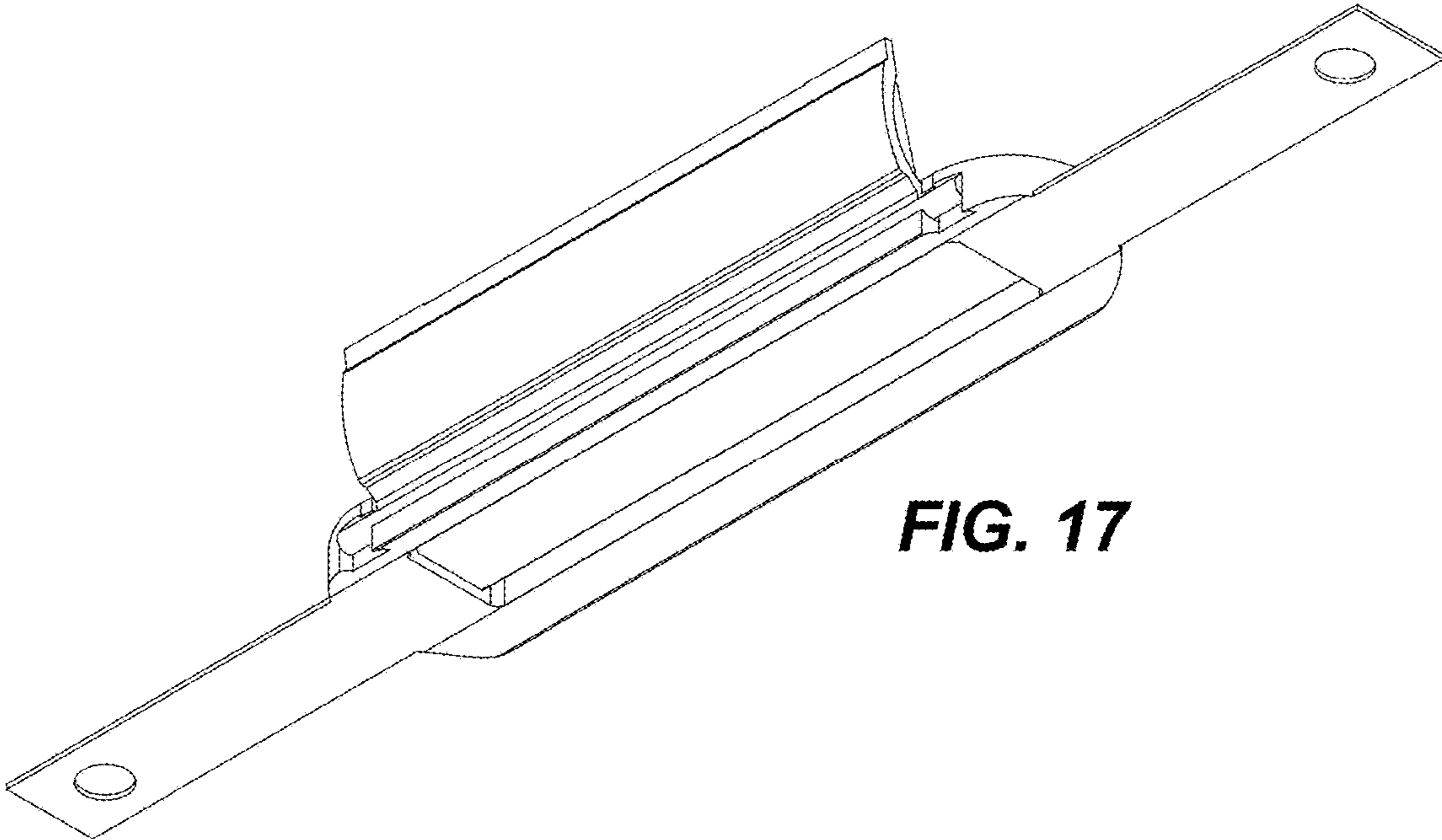


FIG. 17

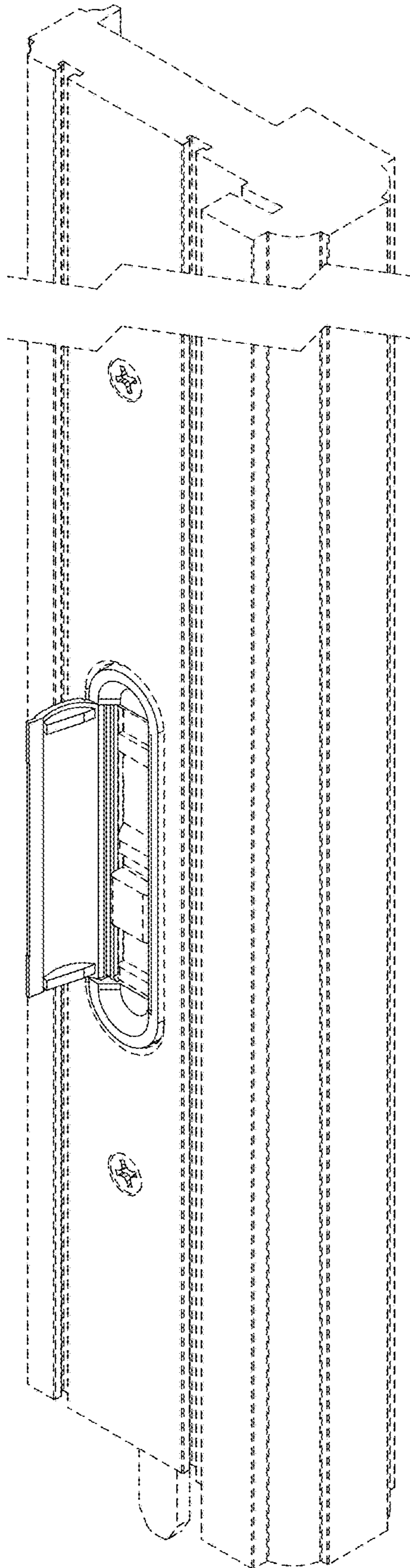


FIG. 18

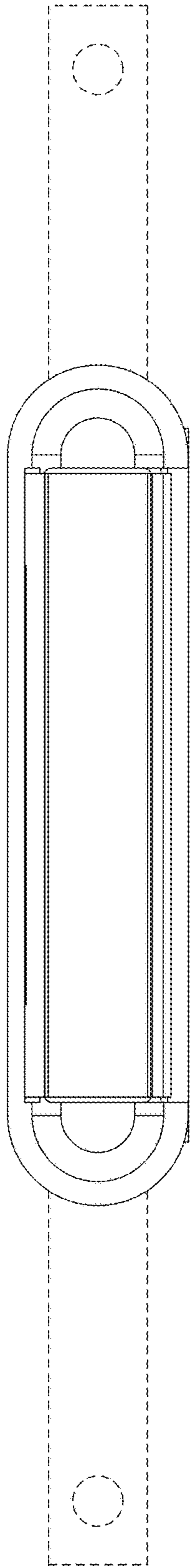


FIG. 19

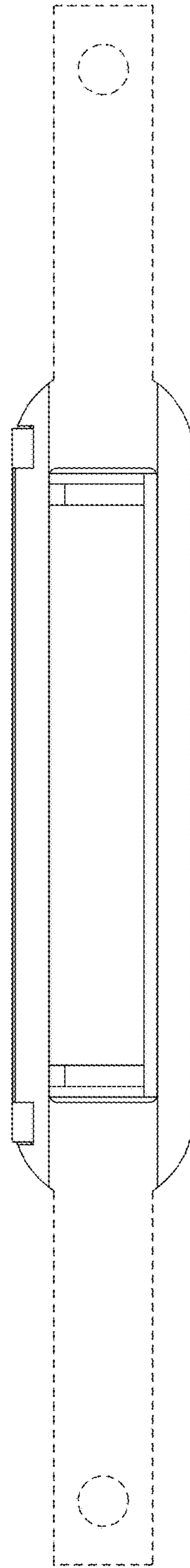


FIG. 20

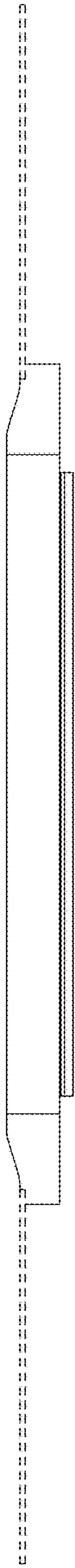


FIG. 21

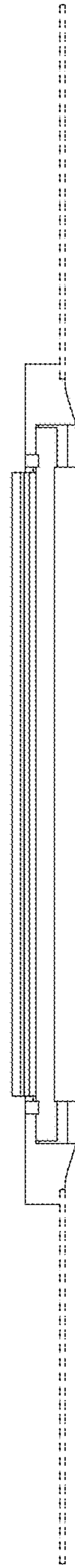


FIG. 22

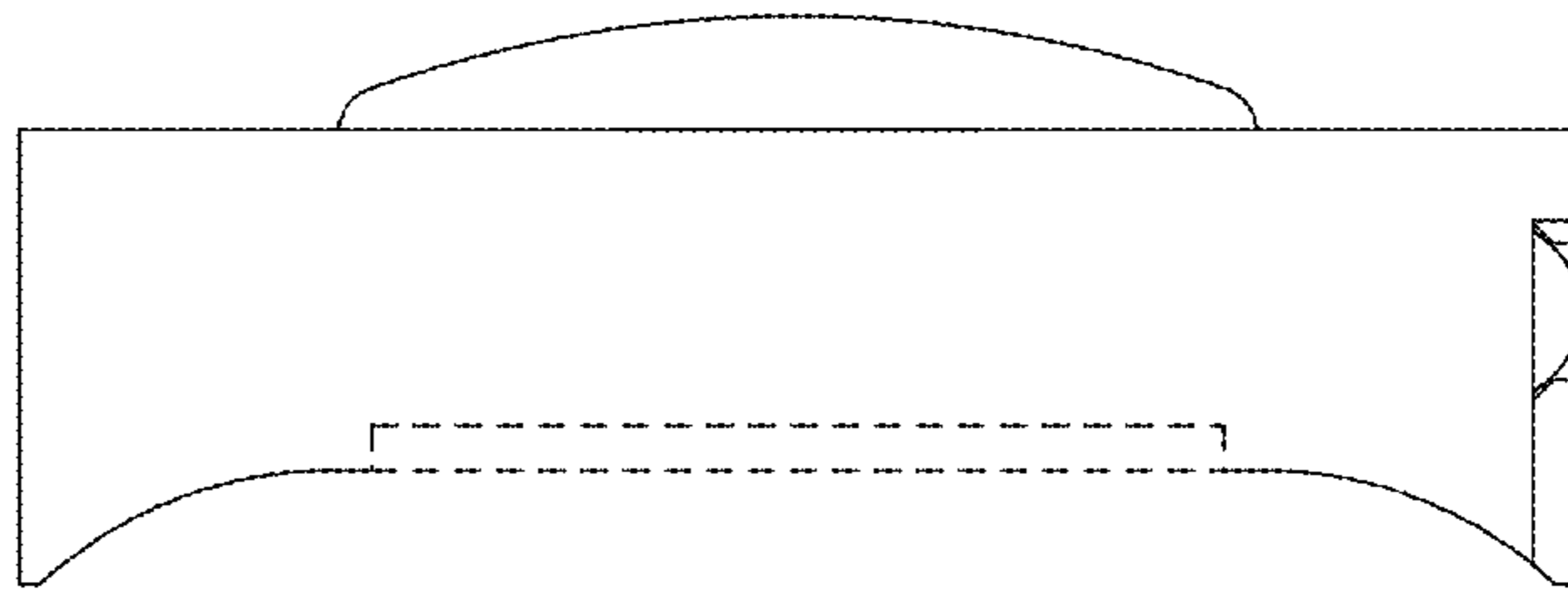


FIG. 23

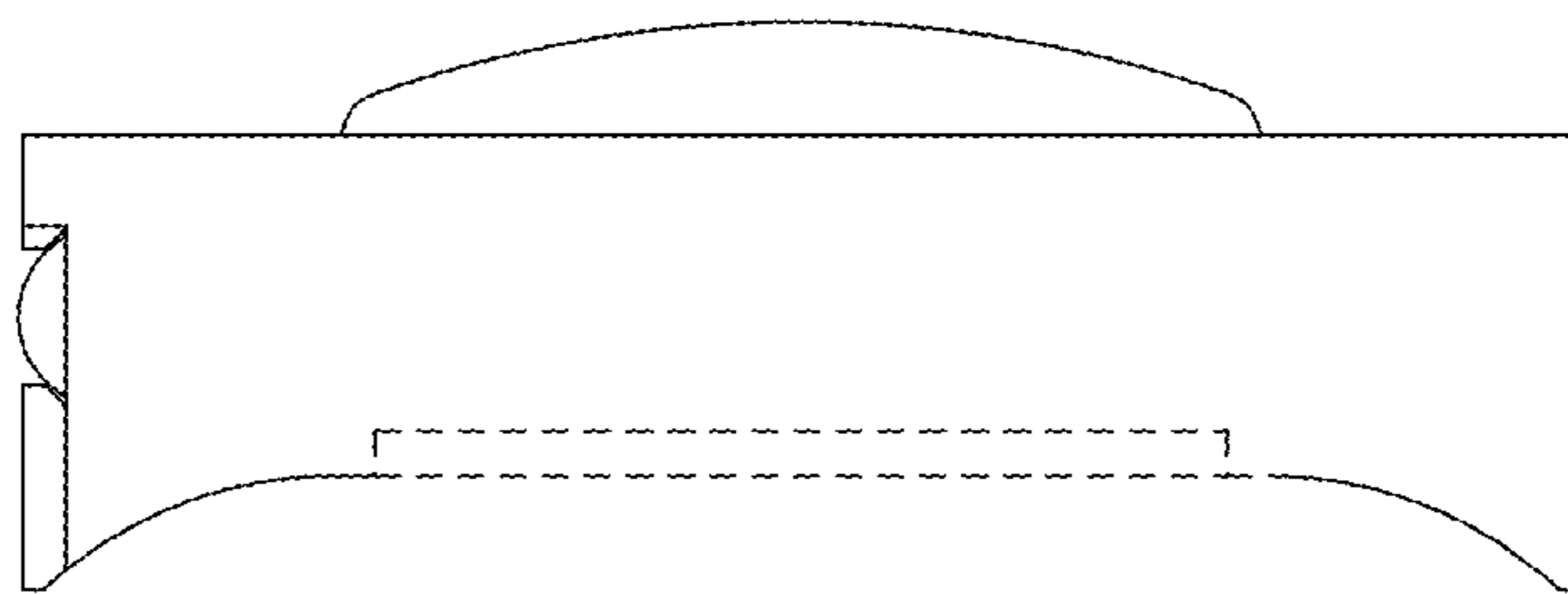


FIG. 24

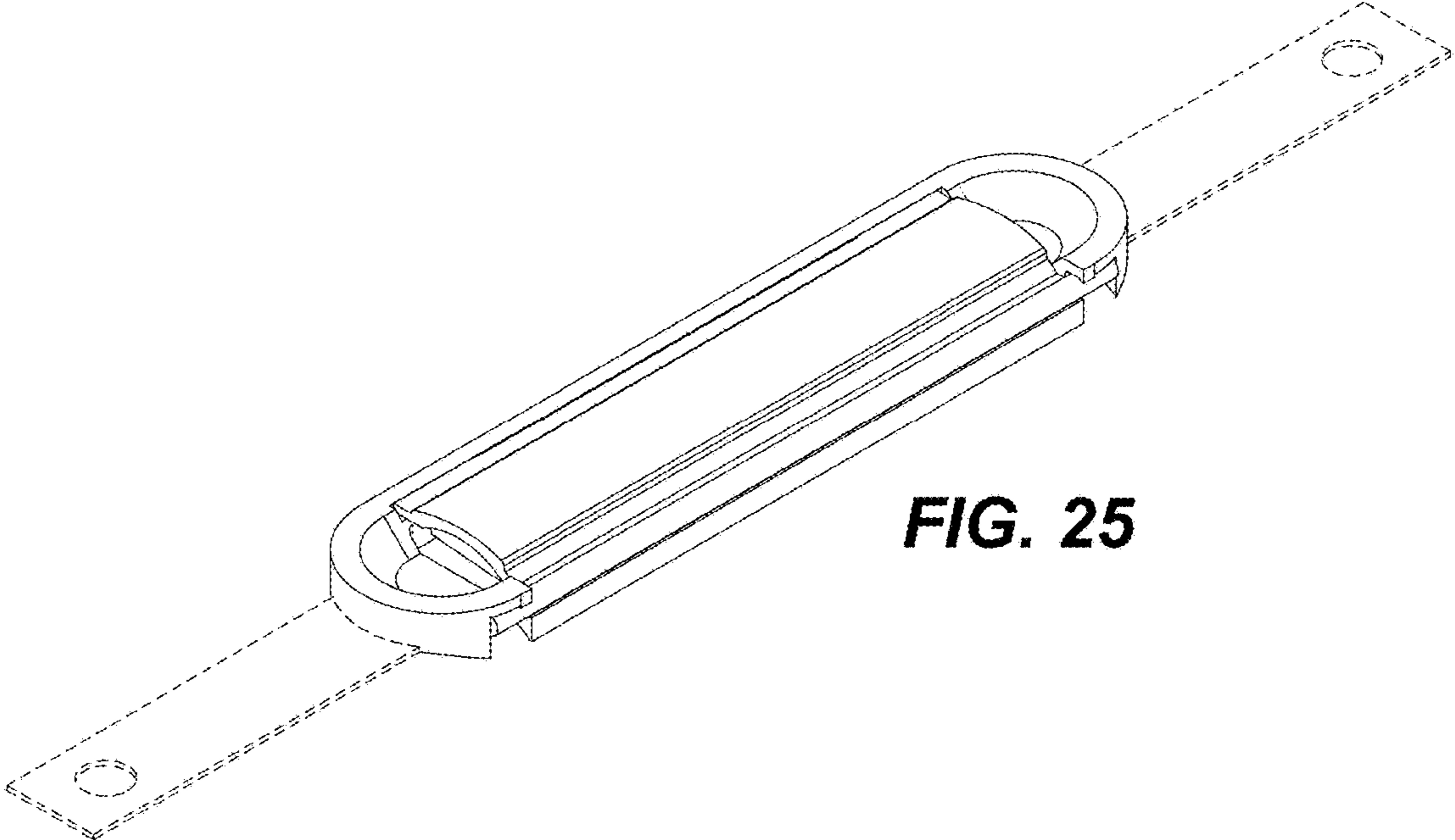


FIG. 25

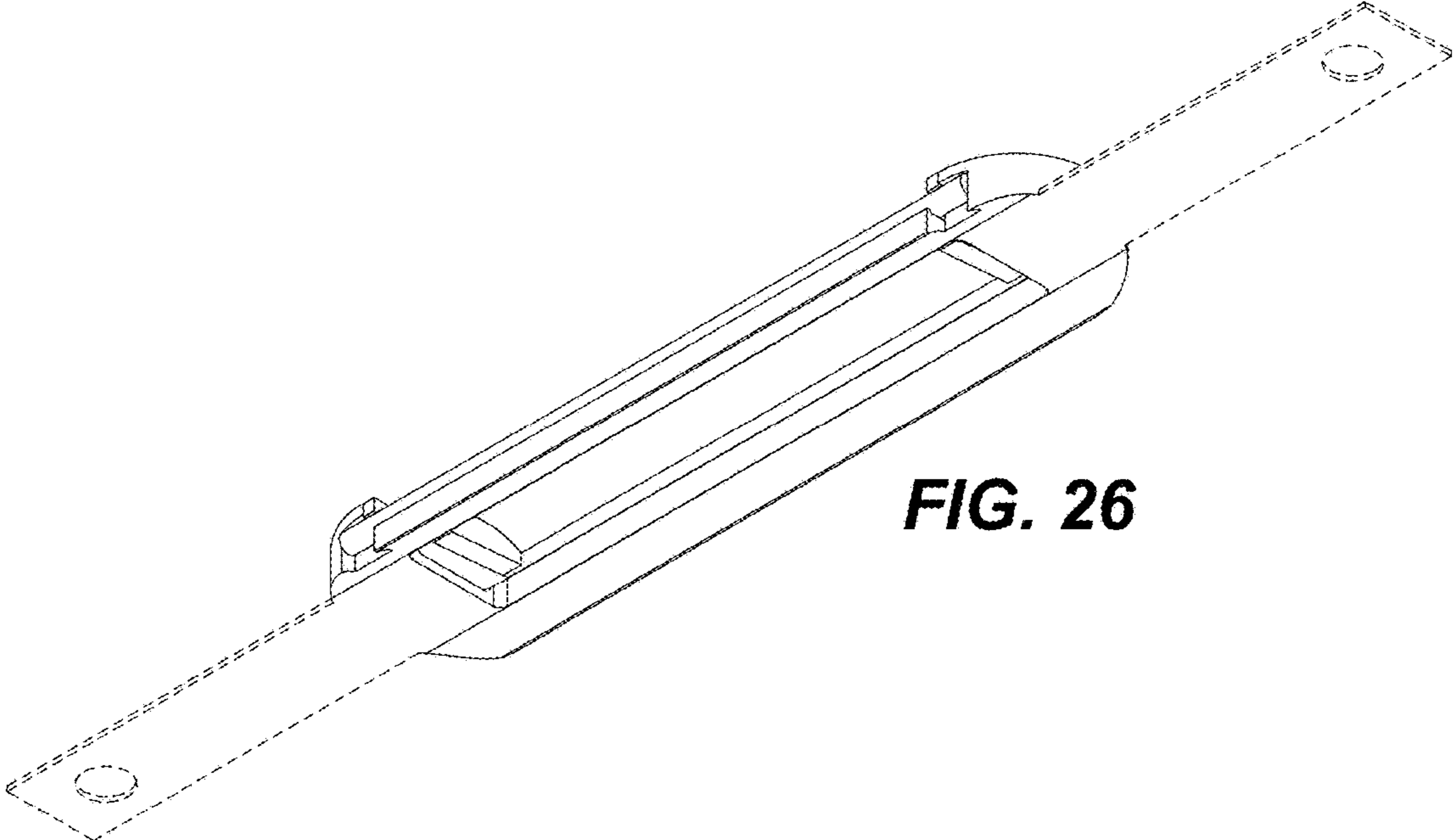


FIG. 26

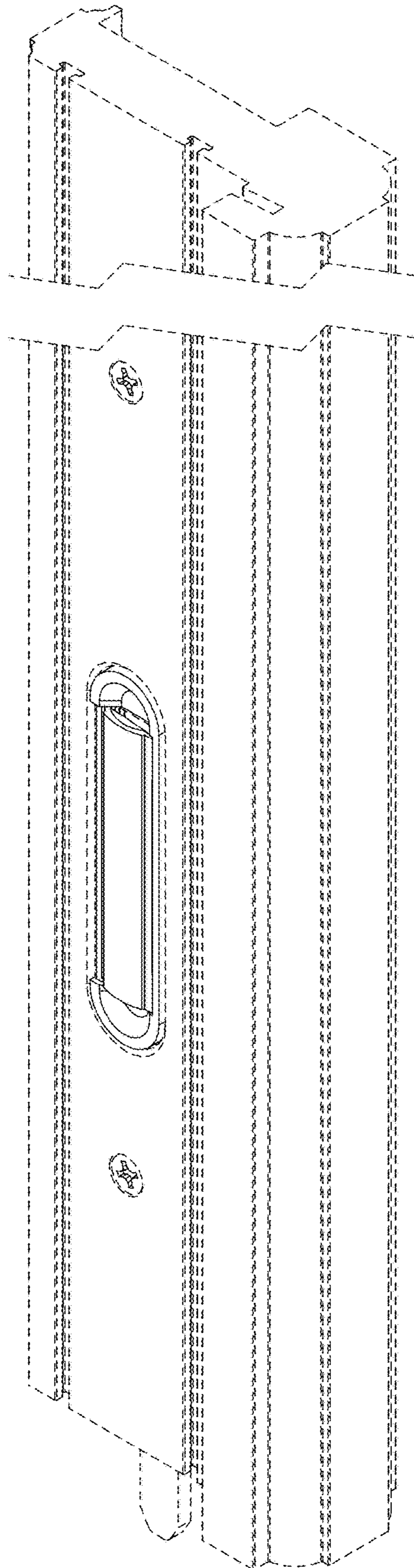


FIG. 27

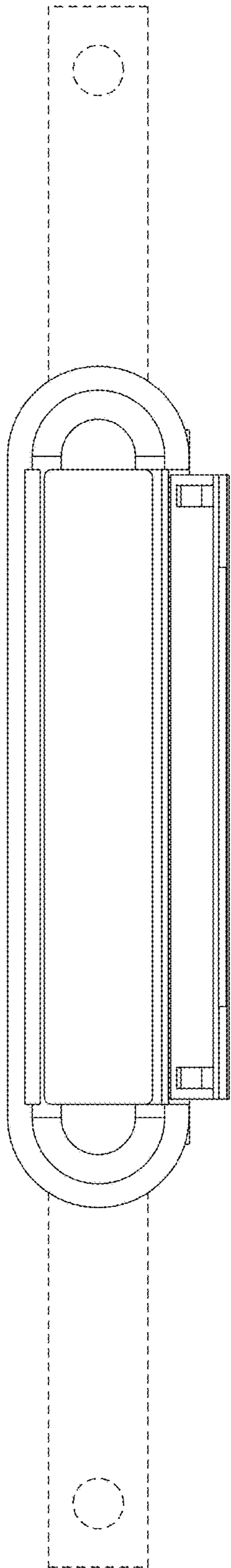


FIG. 28

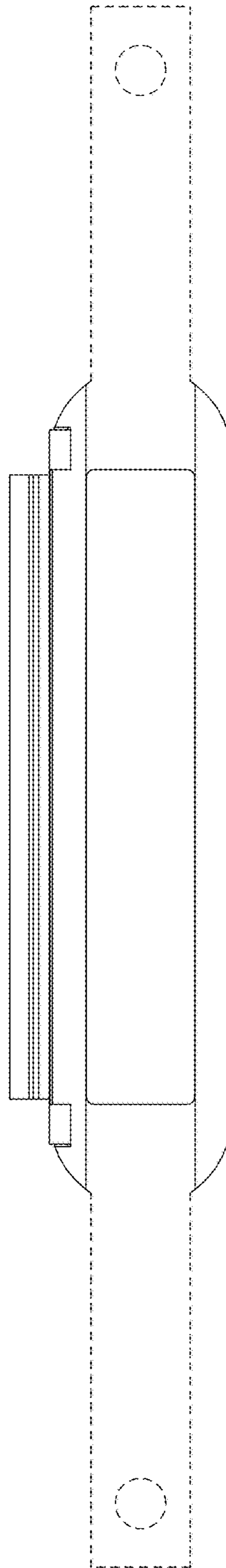


FIG. 29

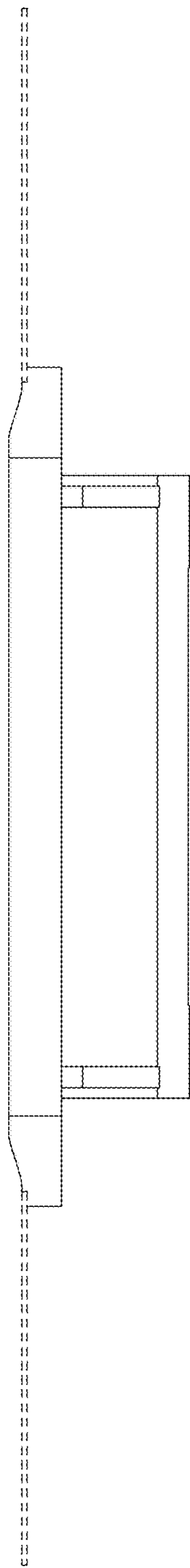


FIG. 30

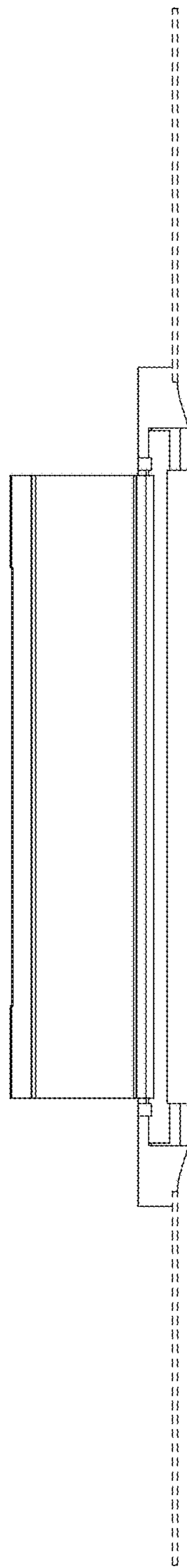


FIG. 31

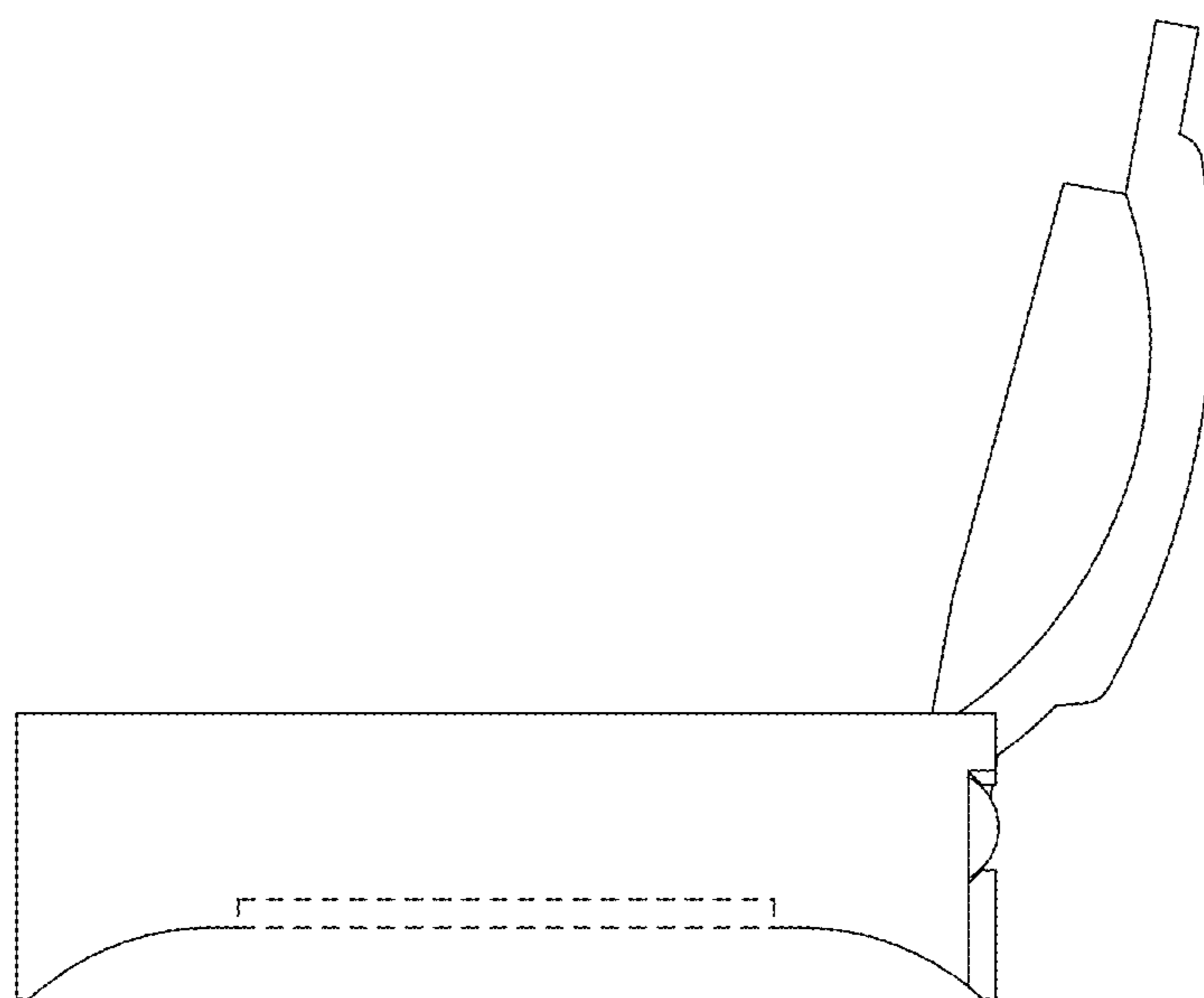


FIG. 32

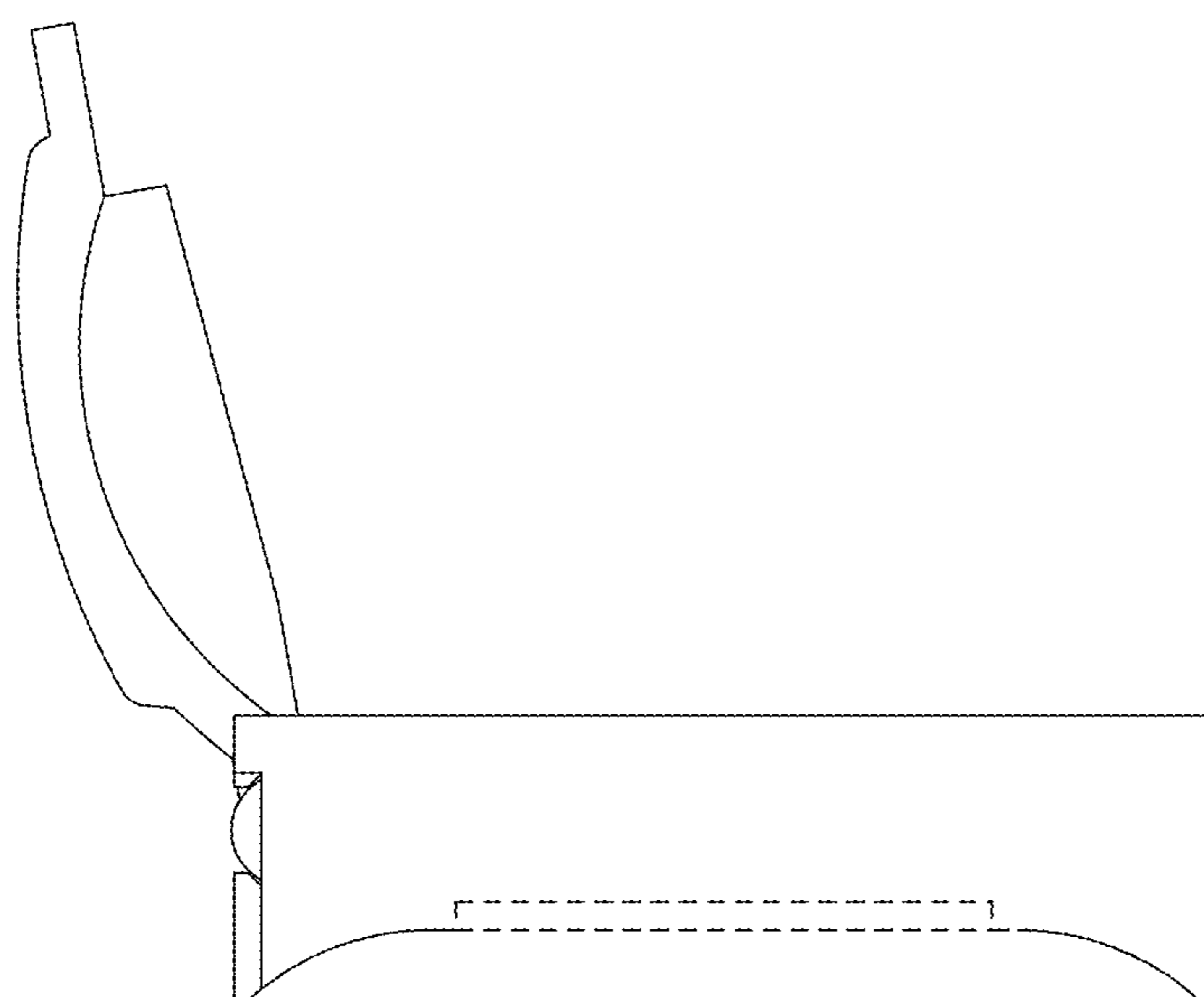


FIG. 33

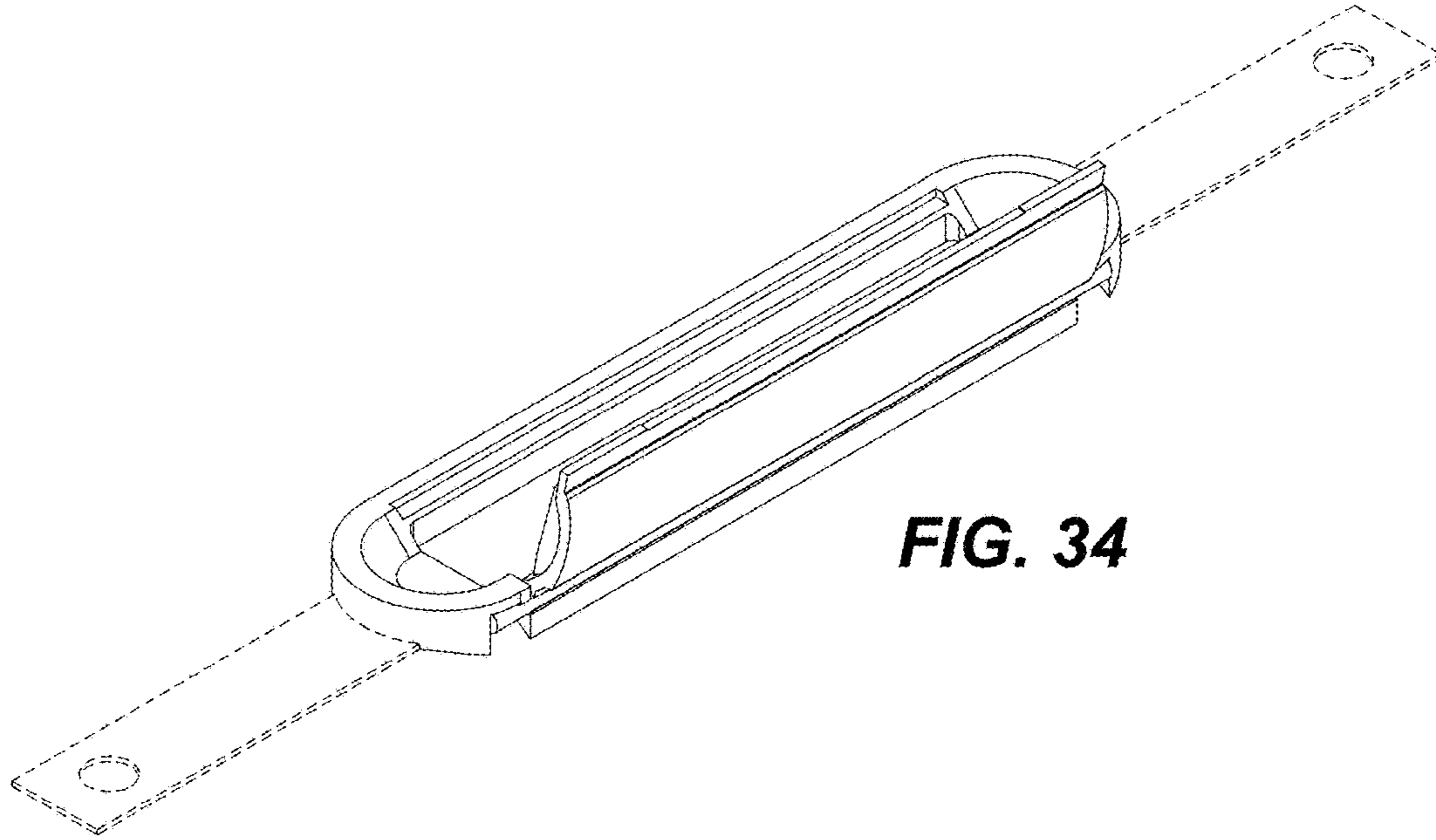


FIG. 34

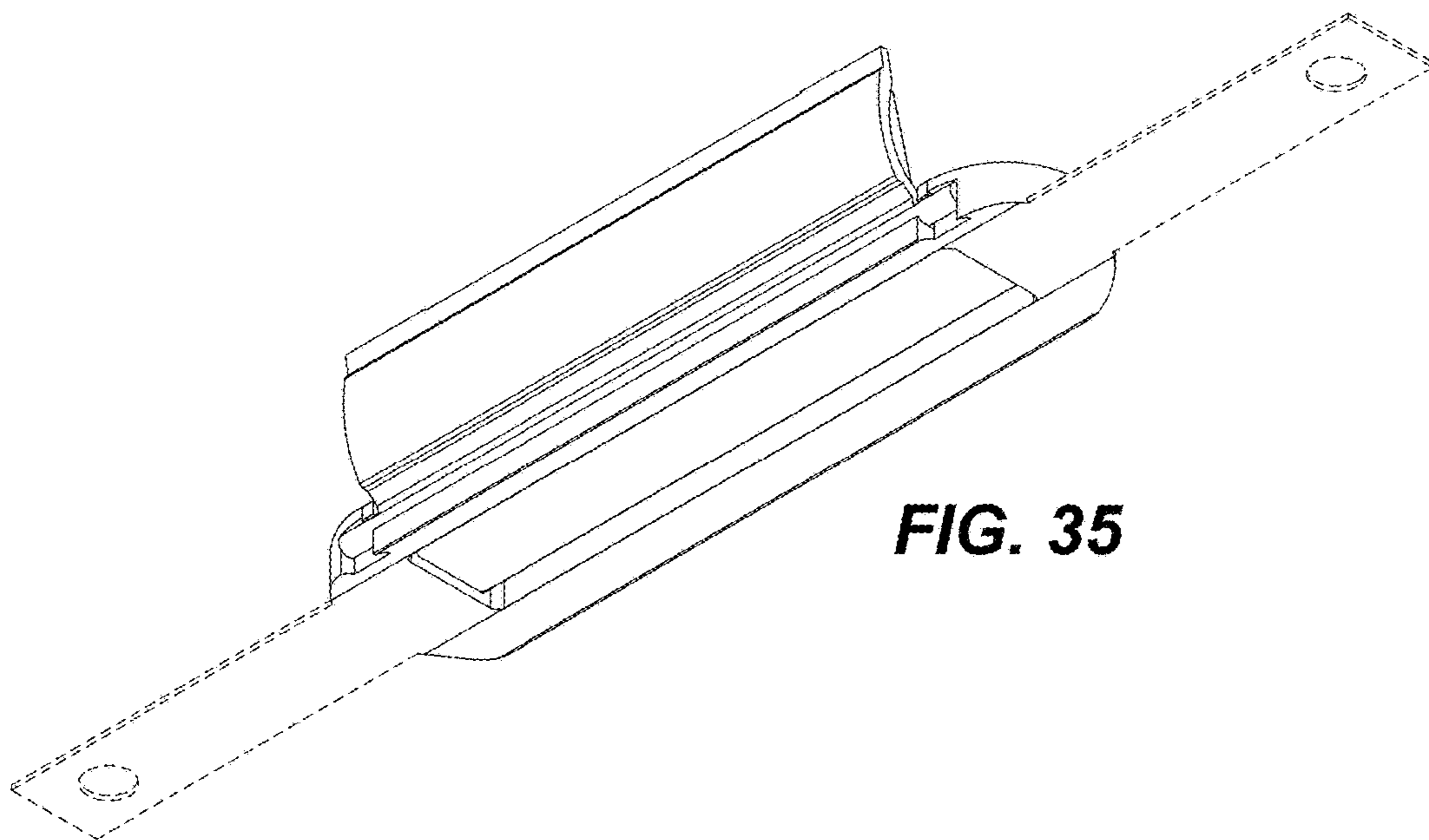


FIG. 35

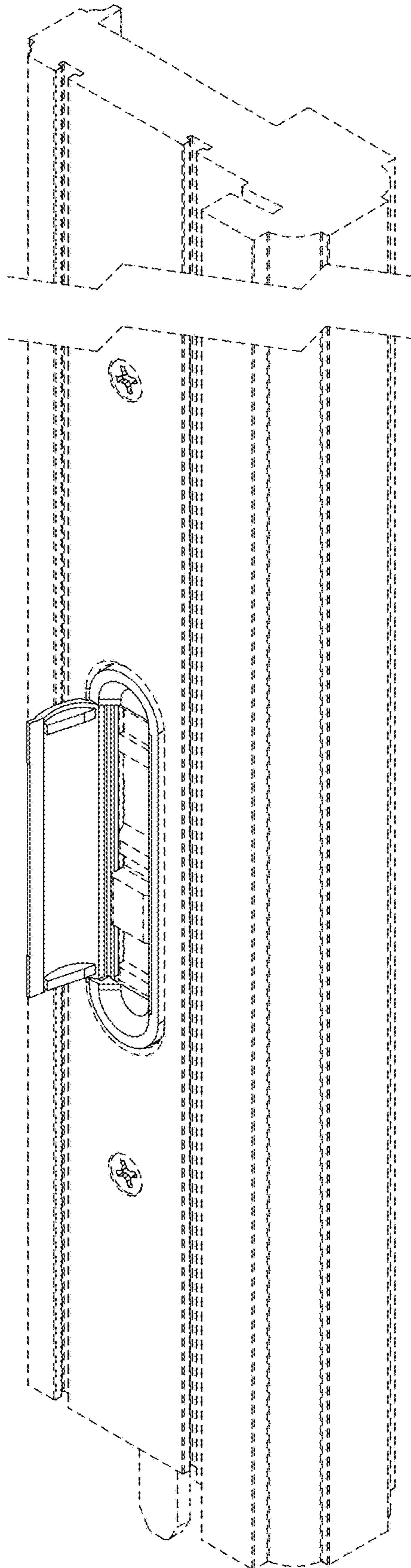


FIG. 36