

US00D832075S

(12) **United States Design Patent**  
**Gokcebay et al.**

(10) **Patent No.:** **US D832,075 S**  
(45) **Date of Patent:** **\*\* Oct. 30, 2018**

- (54) **ELECTRONIC CABINET LOCK**
- (71) Applicant: **Digilock Asia Ltd.**, Kowloon (HK)
- (72) Inventors: **Asil T. Gokcebay**, Petaluma, CA (US);  
**Kelly Kodama**, Walnut Creek, CA (US)
- (73) Assignee: **Digilock Asia Ltd.**, Kowloon (HK)
- (\*\*) Term: **15 Years**
- (21) Appl. No.: **29/625,132**
- (22) Filed: **Nov. 7, 2017**

- D327,856 S 7/1992 Loew et al.
  - D331,888 S 12/1992 Lade
  - D354,922 S 1/1995 Gartner
  - 5,481,361 A 1/1996 Yumiki et al.
  - 5,894,277 A 4/1999 Keskin et al.
  - D426,833 S 6/2000 Vanelli
  - 6,272,562 B1 8/2001 Scott et al.
  - D450,559 S 11/2001 Yu
  - D580,739 S 11/2008 Pelletier et al.
  - 7,482,907 B2 1/2009 Denison et al.
  - D630,489 S \* 1/2011 Gratzki ..... D8/330
- (Continued)

*Primary Examiner* — R. Johnson  
(74) *Attorney, Agent, or Firm* — Thomas M. Freiburger

**Related U.S. Application Data**

- (62) Division of application No. 29/570,528, filed on Jul. 8, 2016, now Pat. No. Des. 804,278.
- (51) **LOC (11) Cl.** ..... **08-07**
- (52) **U.S. Cl.**  
USPC ..... **D8/331; D8/330**
- (58) **Field of Classification Search**  
USPC ..... D8/301, 302, 330, 331, 349, 400, 499;  
70/57, 57.1, 14, 20, 91, 92, 102, 141,  
70/237, 262, 263, 266, 278.1, 279.1, 416,  
70/465, 442, 443, 214, 78, 447; 340/5.6,  
340/5.61, 5.64, 5.73, 286.01, 542, 547,  
340/545.1, 545.7; 292/336.3, 257, 194,  
292/195, 198, 164, 165  
CPC ..... E05B 49/00; E05B 41/00; E05B 65/00;  
E05B 65/52; E05B 51/00; E05B 65/44;  
G07C 9/00571; G07C 9/00912  
See application file for complete search history.

(57) **CLAIM**

The ornamental design for an electronic cabinet lock, substantially as shown and described.

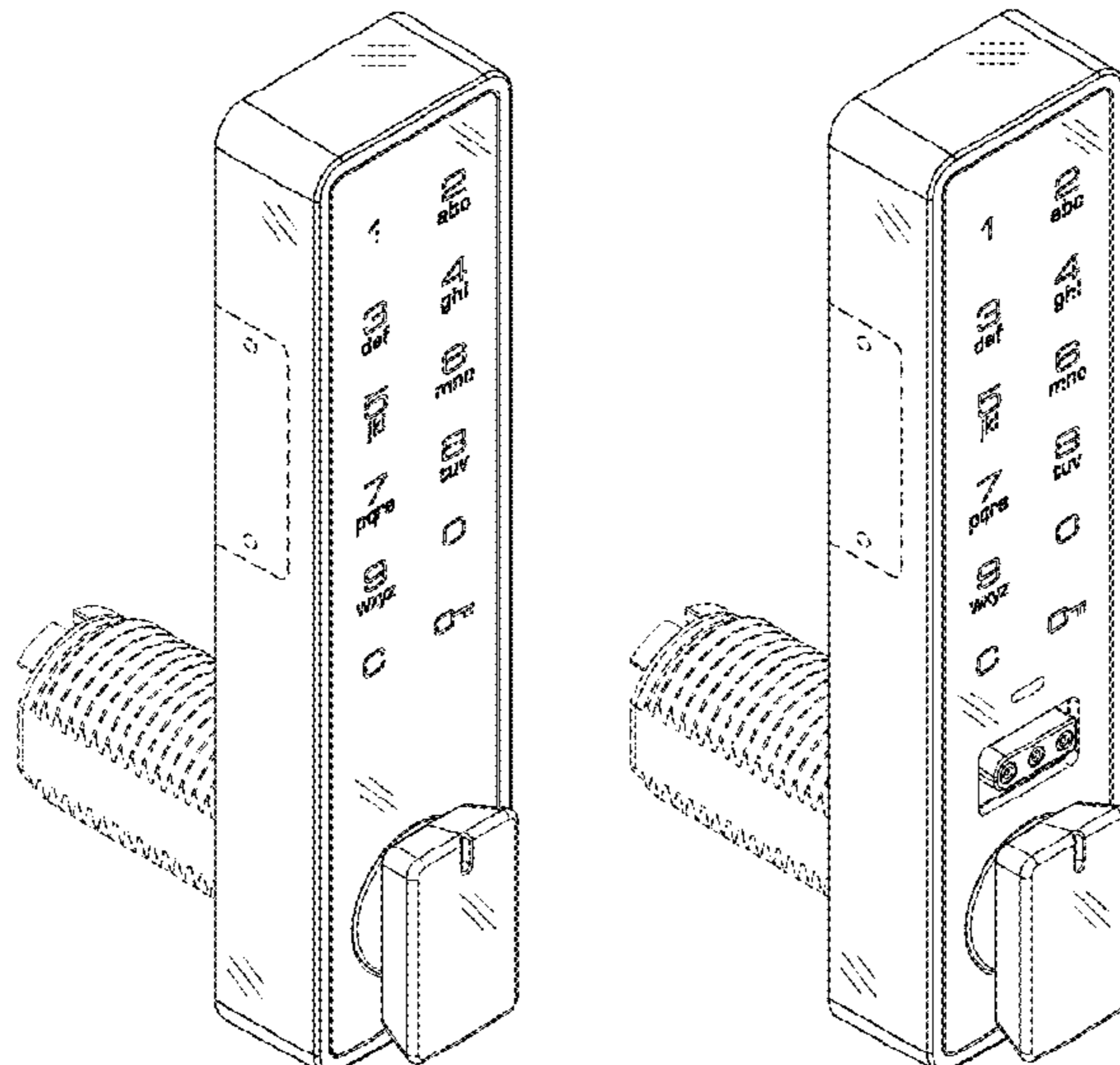
**DESCRIPTION**

FIG. 1 is a front left perspective view of a first embodiment of an electronic cabinet lock according to our new design; FIG. 2 is a top plan view thereof; FIG. 3 is a rear elevation view thereof; FIG. 4 is a left side view thereof; FIG. 5 is a front elevation view thereof; FIG. 6 is a right side view thereof; FIG. 7 is a bottom plan view thereof; FIG. 8 is a front left perspective view of a second embodiment of an electronic cabinet lock according to our new design; FIG. 9 is a top plan view thereof; FIG. 10 is a rear elevation view thereof; FIG. 11 is a left side view thereof; FIG. 12 is a front elevation view thereof; FIG. 13 is a right side view thereof; and, FIG. 14 is a bottom plan view thereof. Features shown in dashed lines are not part of the claimed design.

(56) **References Cited**  
**U.S. PATENT DOCUMENTS**

- 4,148,092 A 4/1979 Martin
- 4,899,562 A 2/1990 Gartner
- 4,926,664 A 5/1990 Gartner et al.

**1 Claim, 2 Drawing Sheets**



(56)

References Cited

U.S. PATENT DOCUMENTS

D686,055	S *	7/2013	Li .....	D8/331
8,495,898	B2	7/2013	Gokcebay	
D730,712	S	6/2015	Gokcebay et al.	
D731,286	S	6/2015	Gokcebay et al.	
D731,287	S	6/2015	Gokcebay et al.	
D737,114	S	8/2015	Gokcebay et al.	
9,208,628	B2	12/2015	Gokcebay	
9,222,283	B1	12/2015	Zhang et al.	
9,273,492	B2	3/2016	Gokcebay	
D752,945	S	4/2016	Gokcebay et al.	
D752,947	S	4/2016	Gokcebay et al.	
D752,948	S	4/2016	Gokcebay et al.	
D752,949	S	4/2016	Gokcebay et al.	
D753,463	S	4/2016	Gokcebay et al.	
D762,100	S	7/2016	Gokcebay et al.	
D762,101	S	7/2016	Gokcebay et al.	
D762,102	S *	7/2016	Gokcebay .....	D8/330
D762,103	S	7/2016	Gokcebay et al.	
D764,255	S	8/2016	Gokcebay et al.	
D764,892	S	8/2016	Gokcebay et al.	
D764,893	S	8/2016	Gokcebay et al.	
9,536,359	B1	1/2017	Gokcebay	
D791,577	S *	7/2017	Hetfield .....	D8/330
D804,278	S *	12/2017	Gokcebay .....	D8/331
D804,279	S *	12/2017	Gokcebay .....	D8/331
2007/0144226	A1 *	6/2007	Miao .....	E05B 37/16
				70/214
2014/0318199	A1 *	10/2014	Gokcebay .....	E05C 3/042
				70/278.1
2015/0211258	A1 *	7/2015	Gokcebay .....	E05B 47/06
				70/278.1

\* cited by examiner

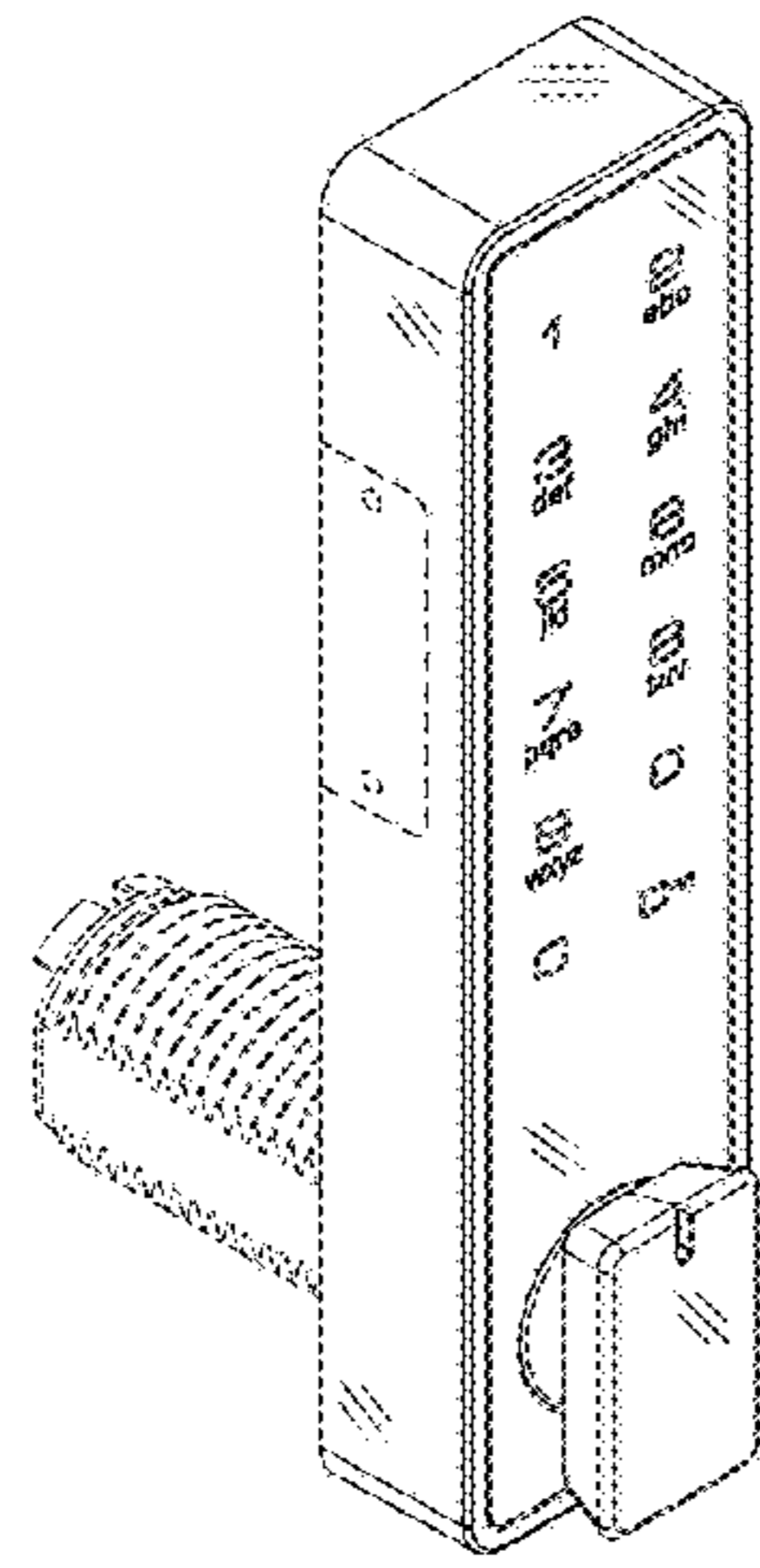


FIG. 1

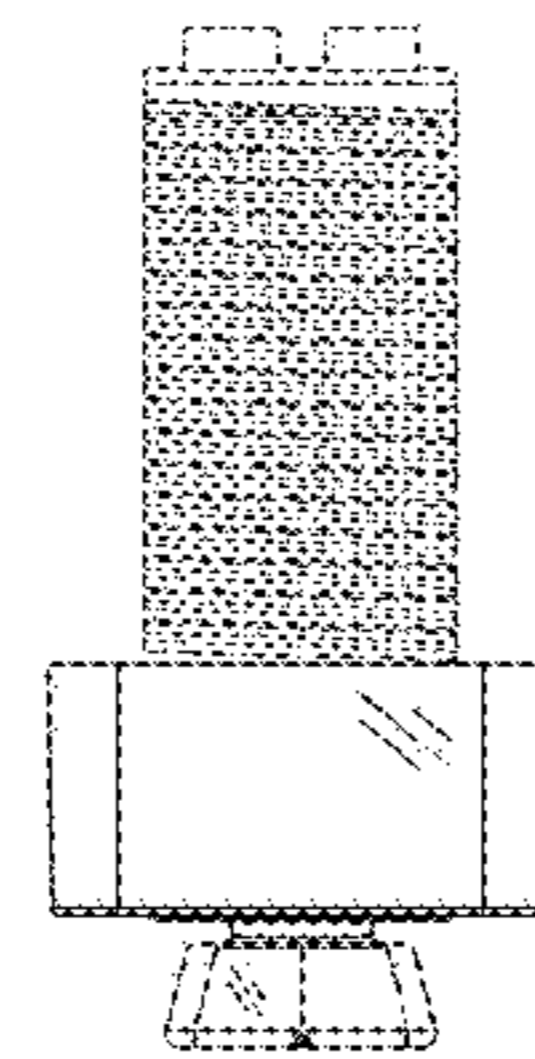


FIG. 2

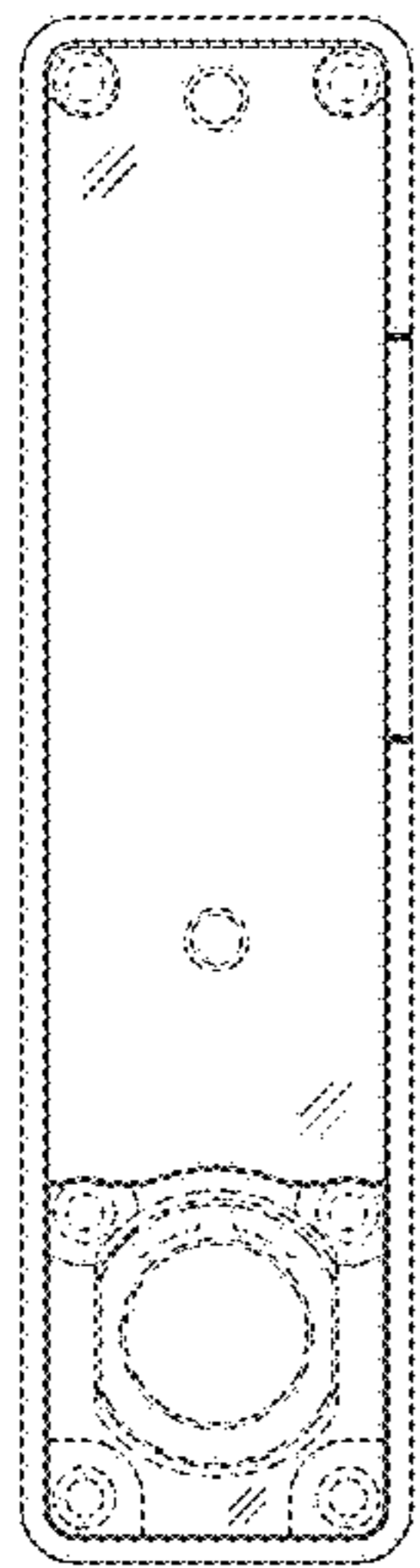


FIG. 3

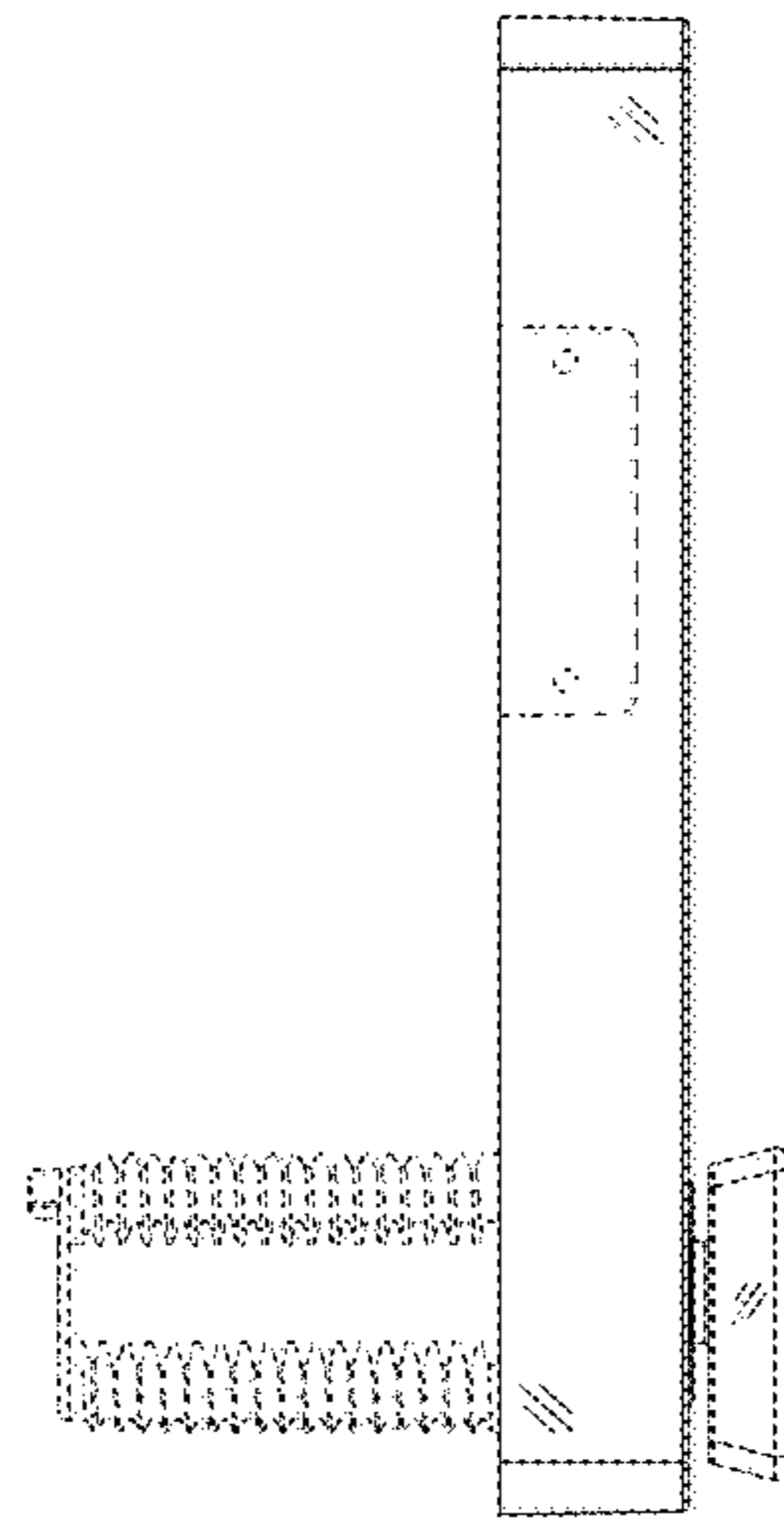


FIG. 4

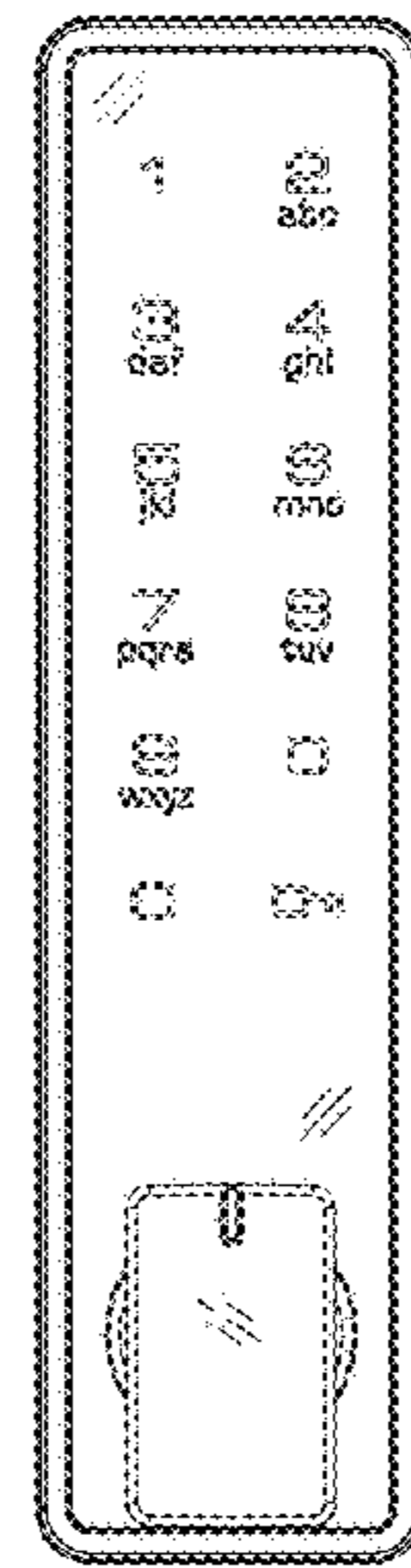


FIG. 5

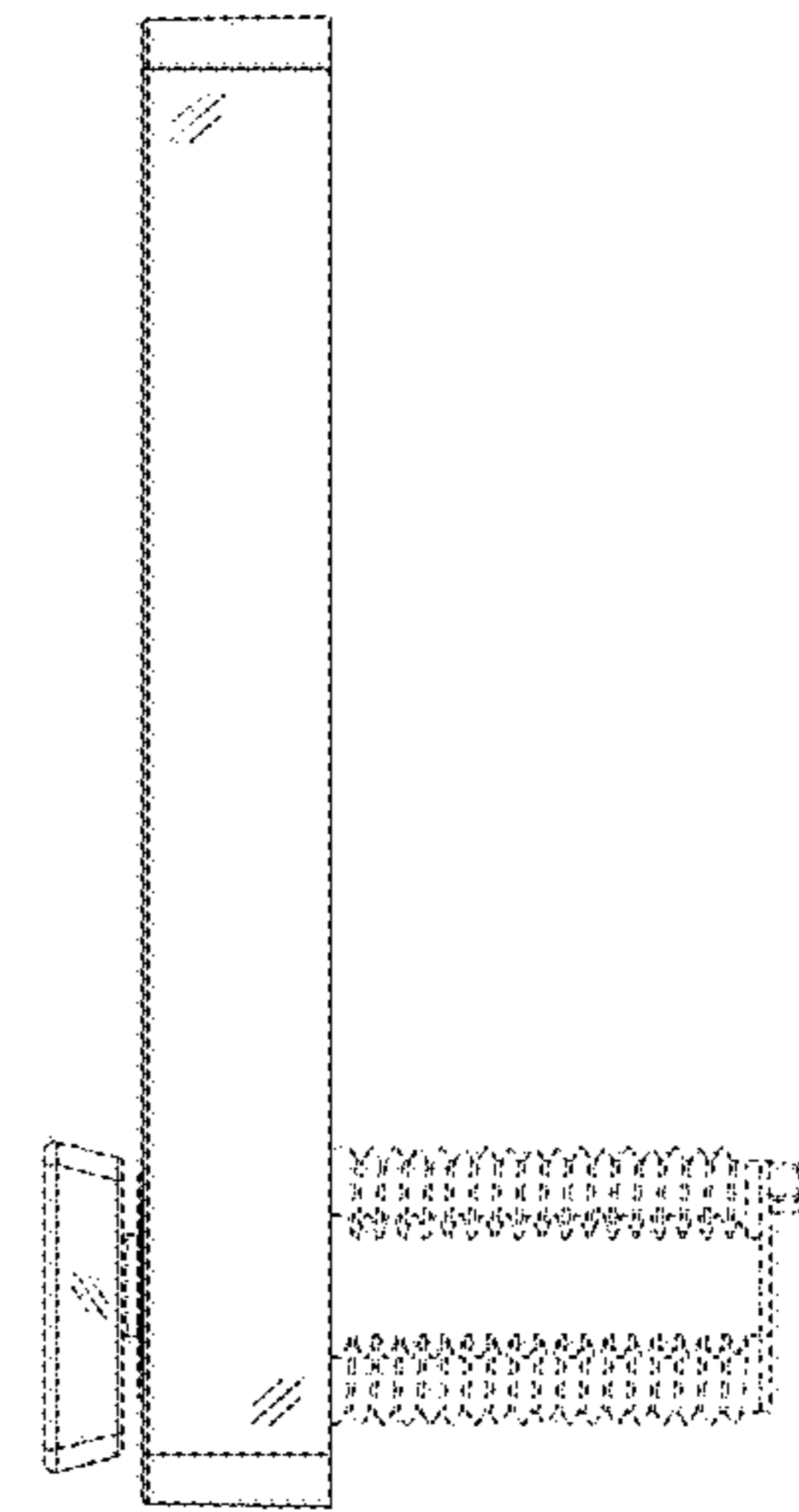


FIG. 6

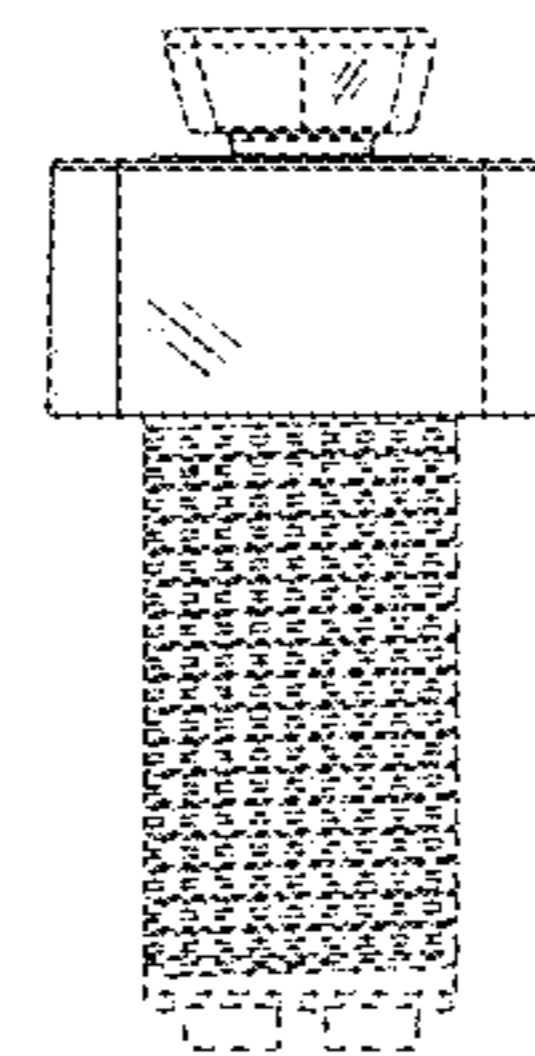


FIG. 7

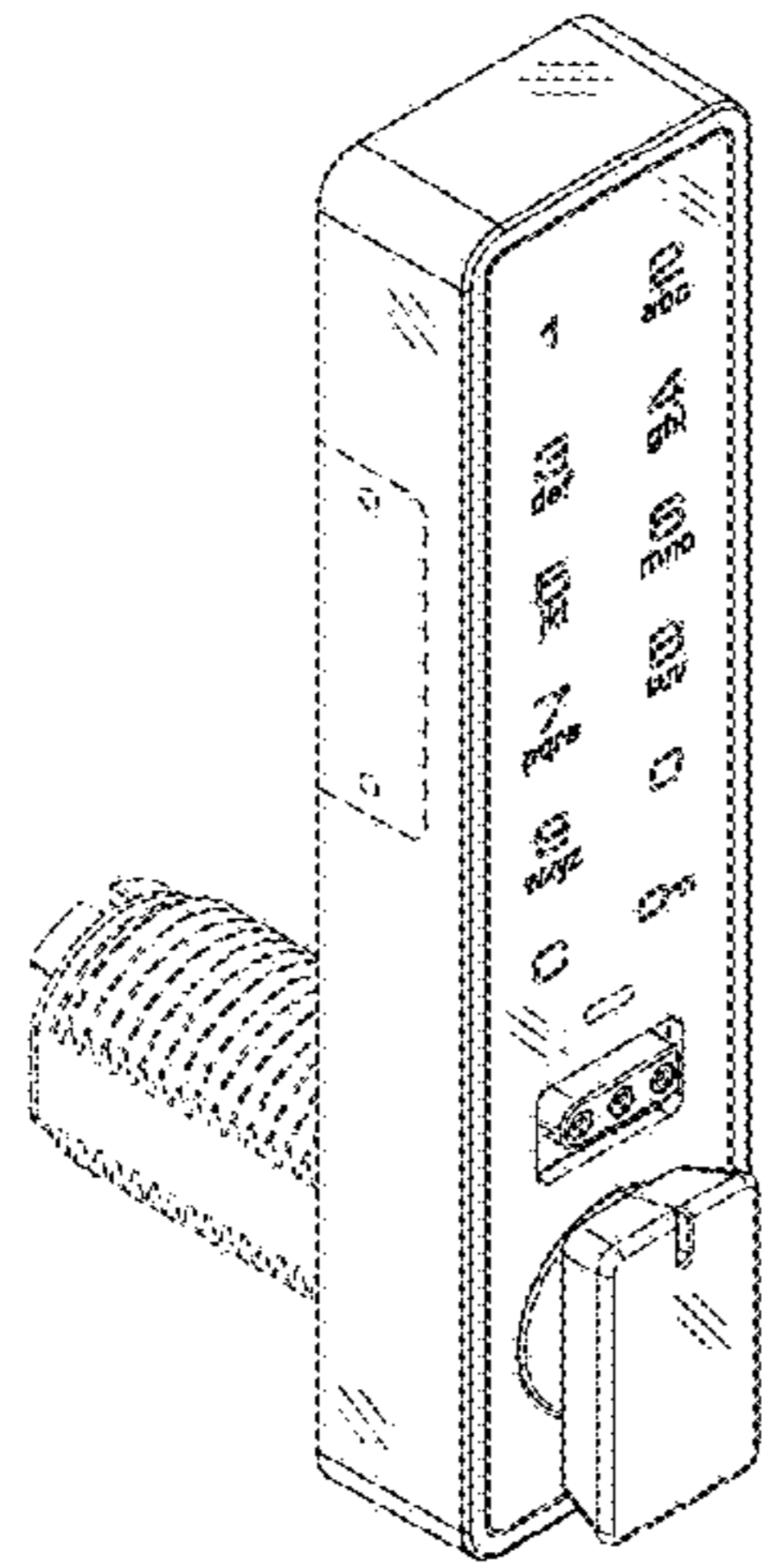


FIG. 8

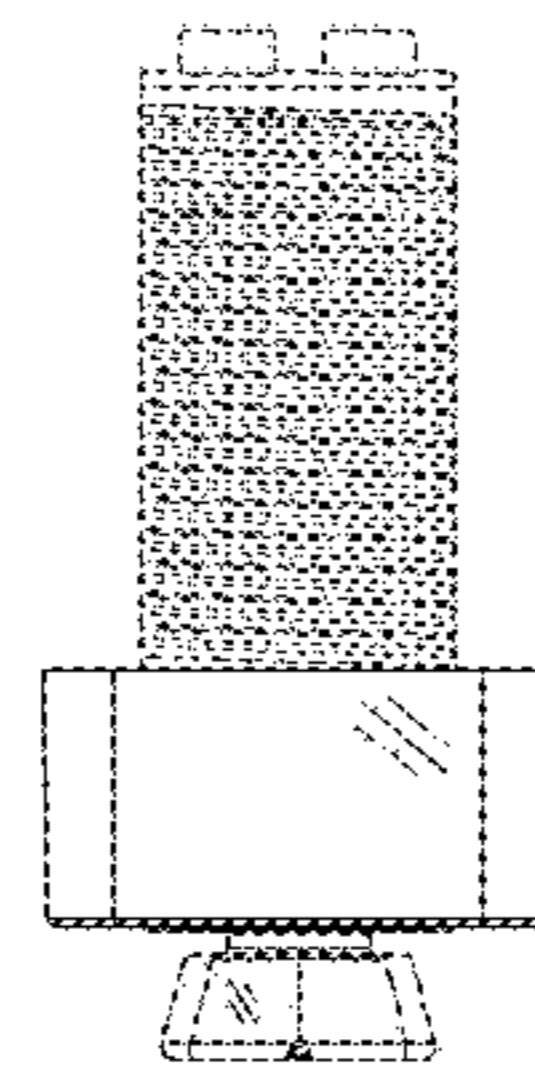


FIG. 9

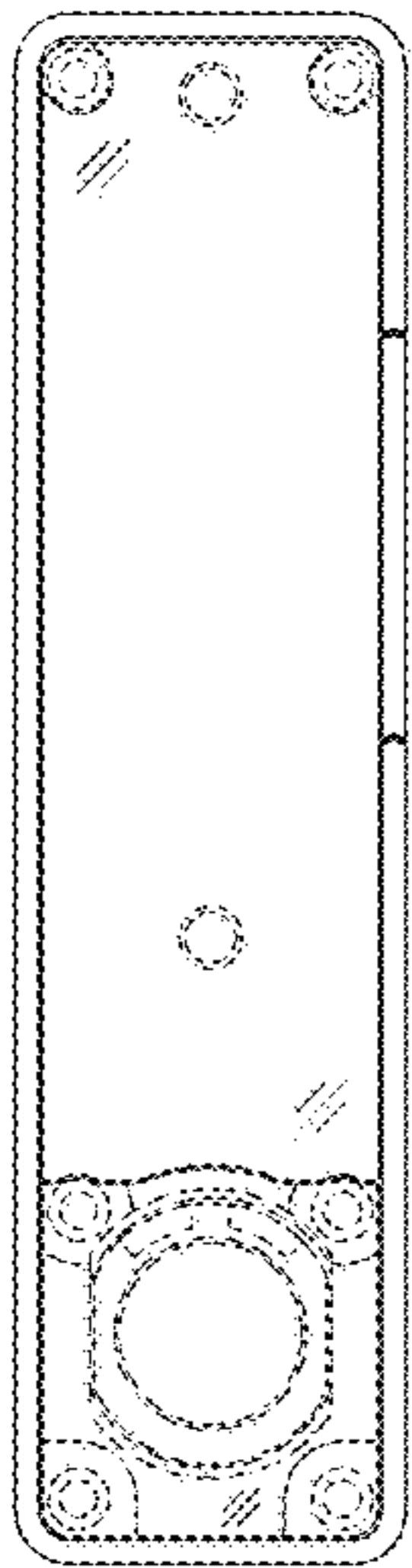


FIG. 10

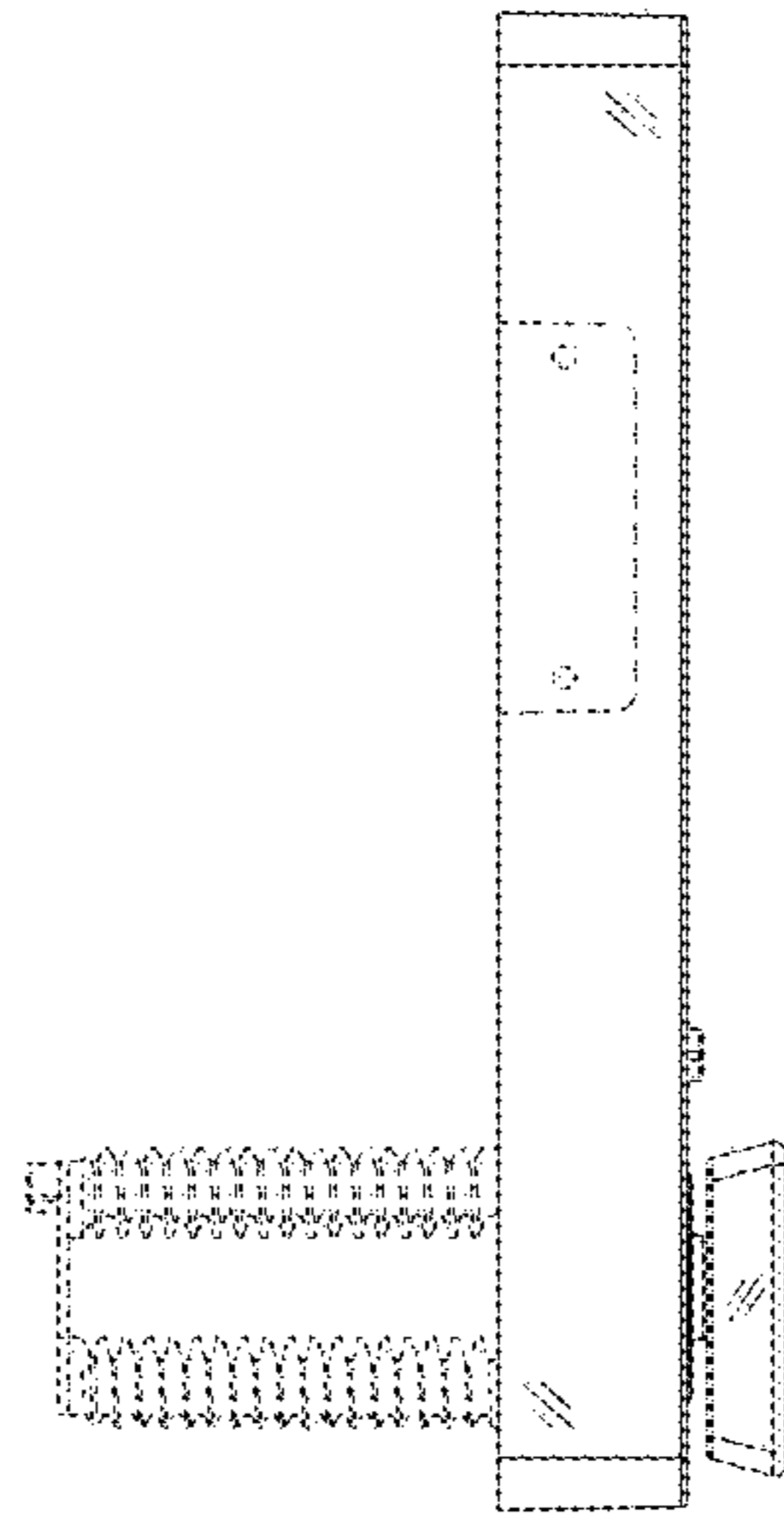


FIG. 11

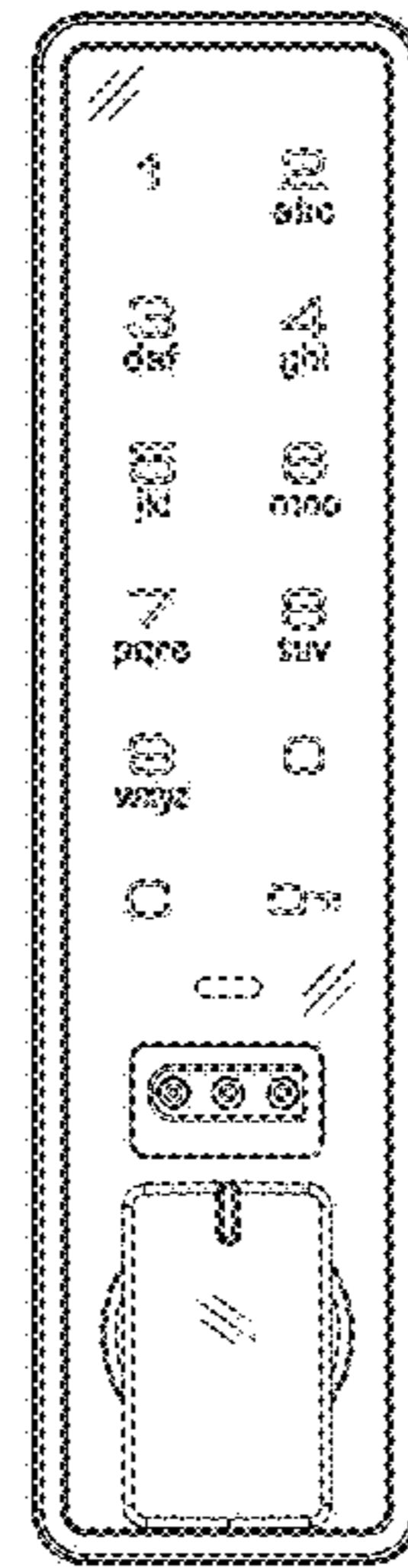


FIG. 12

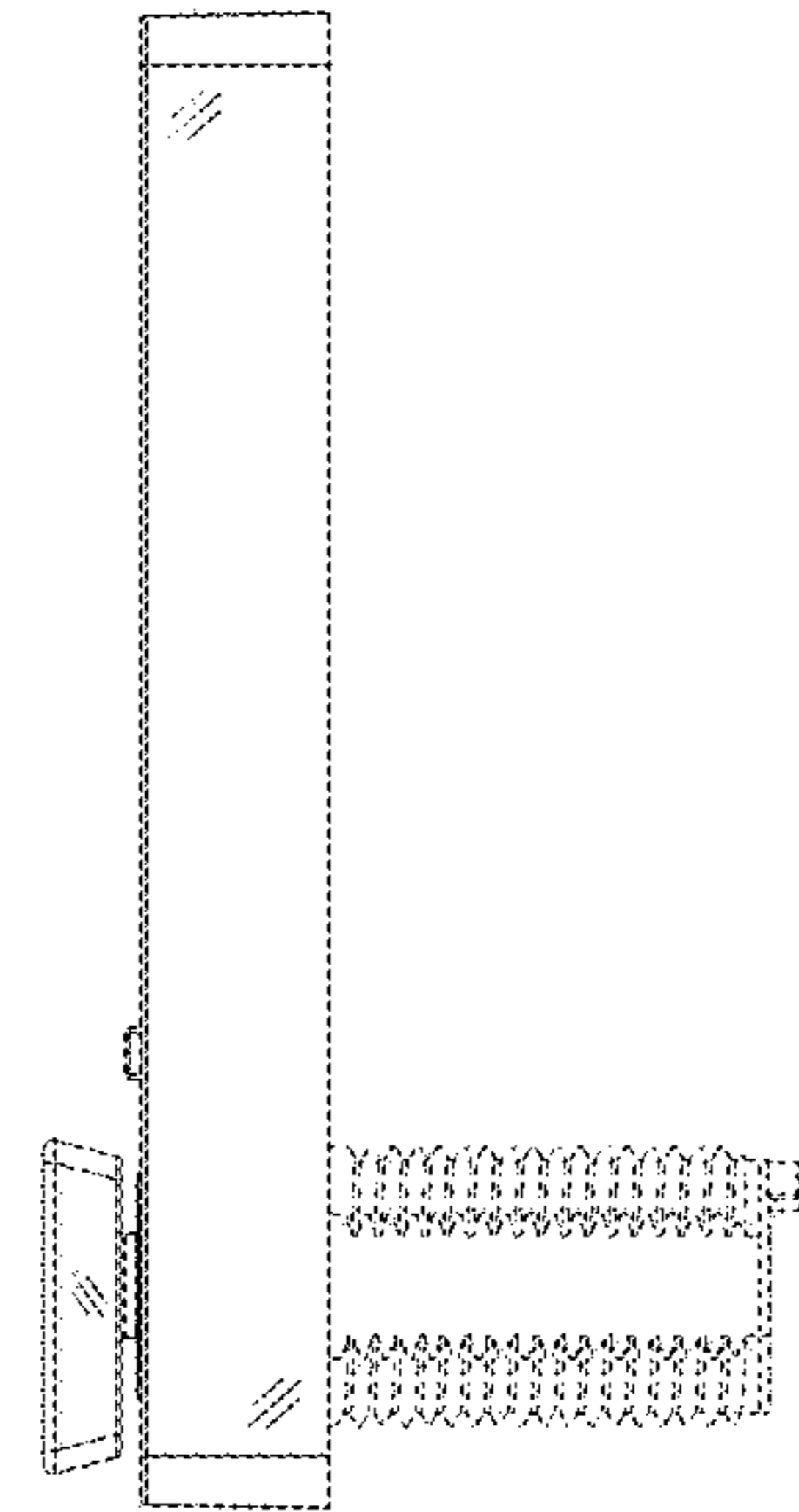


FIG. 13

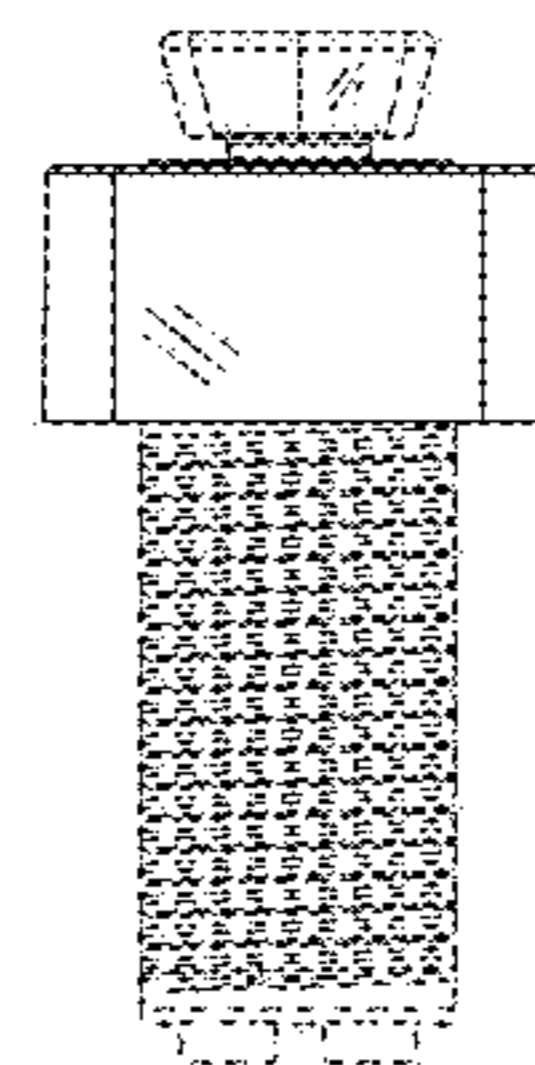


FIG. 14