



US00D832073S

(12) **United States Design Patent** (10) **Patent No.:** **US D832,073 S**
Lee (45) **Date of Patent:** **** Oct. 30, 2018**

(54) **LIGHTER HOLDER WITH FOLDING KNIFE**

Primary Examiner — Philip S Hyder

(71) Applicant: **Pacific Solution Marketing, Inc.**,
Ontario, CA (US)

(74) *Attorney, Agent, or Firm* — **Intellent Patents LLC;**
Ahmed Alhafidh

(72) Inventor: **Steward Lee**, Walnut, CA (US)

(57) **CLAIM**

(73) Assignee: **Pacific Solution Marketing, Inc.**,
Ontario, CA (US)

The ornamental design for a lighter holder with folding knife, as shown and described.

(**) Term: **15 Years**

DESCRIPTION

(21) Appl. No.: **29/603,078**

(22) Filed: **May 5, 2017**

(51) **LOC (11) Cl.** **08-03**

(52) **U.S. Cl.**

USPC **D8/99; D27/142**

(58) **Field of Classification Search**

USPC D8/98, 99, 100, 105; D27/142

CPC . B25H 3/006; B25F 1/04; B26B 11/00; B26B

11/001; B26B 11/006; B26B 1/046; B26B

1/10; B26B 1/02

See application file for complete search history.

(56) **References Cited**

U.S. PATENT DOCUMENTS

2,982,454 A * 5/1961 Wolberg A24F 47/00

206/38.1

5,829,965 A * 11/1998 Rubalcava F23Q 2/32

431/253

D411,091 S * 6/1999 Halligan D8/99

6,101,724 A * 8/2000 Halligan B26B 1/046

30/155

D435,141 S * 12/2000 Reynolds D10/62

D452,037 S * 12/2001 Smith D27/143

D464,168 S * 10/2002 Reynolds D27/142

D492,568 S * 7/2004 Allen D8/99

(Continued)

OTHER PUBLICATIONS

KS lighter holder assisted opener knife found on Amazon.com, and reviews from 2016.*

FIG. 1 is a left perspective view of a design for a lighter holder with folding knife showing the folding knife in a folded configuration.

FIG. 2 is a left perspective view thereof showing the folding knife in an unfolded configuration.

FIG. 3 is a left perspective view thereof showing a removable lighter.

FIG. 4 is a right elevation view thereof showing the folding knife in the folded configuration.

FIG. 5 is a left elevation view thereof showing the folding knife in the folded configuration.

FIG. 6 is a rear elevation view thereof showing the folding knife in the folded configuration.

FIG. 7 is a front elevation view thereof showing the folding knife in the folded configuration.

FIG. 8 is a top plan view thereof showing the folding knife in the folded configuration.

FIG. 9 is a bottom plan view thereof showing the folding knife in the folded configuration.

FIG. 10 is a top plan view thereof showing the folding knife in the unfolded configuration.

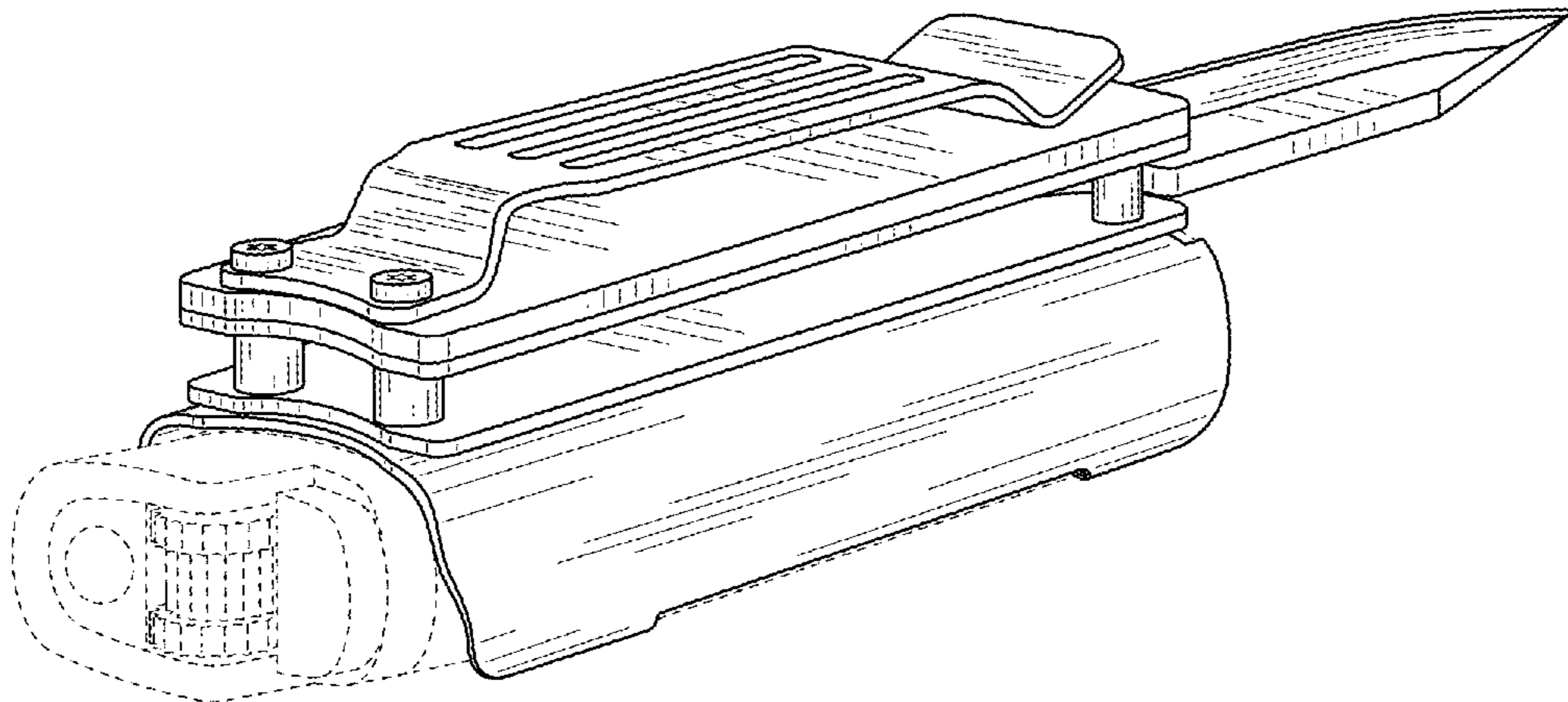
FIG. 11 is a bottom plan view thereof showing the folding knife in the unfolded configuration.

FIG. 12 is a rear elevation view thereof showing the folding knife in the unfolded configuration; and,

FIG. 13 is a front elevation view thereof showing the folding knife in the unfolded configuration.

The broken lines in the drawings illustrate environmental subject matter and form no part of the claimed design.

1 Claim, 6 Drawing Sheets



(56)

References Cited

U.S. PATENT DOCUMENTS

7,721,448 B2 * 5/2010 Kao B26B 11/00
30/143
D640,519 S * 6/2011 Danias-Borkin D8/33
D661,015 S * 5/2012 Logue H04L 63/10
D27/172
2006/0262518 A1 * 11/2006 Thuma B25F 1/04
362/119
2008/0201862 A1 * 8/2008 Menard-Flanagan
B25H 3/006
7/151

* cited by examiner

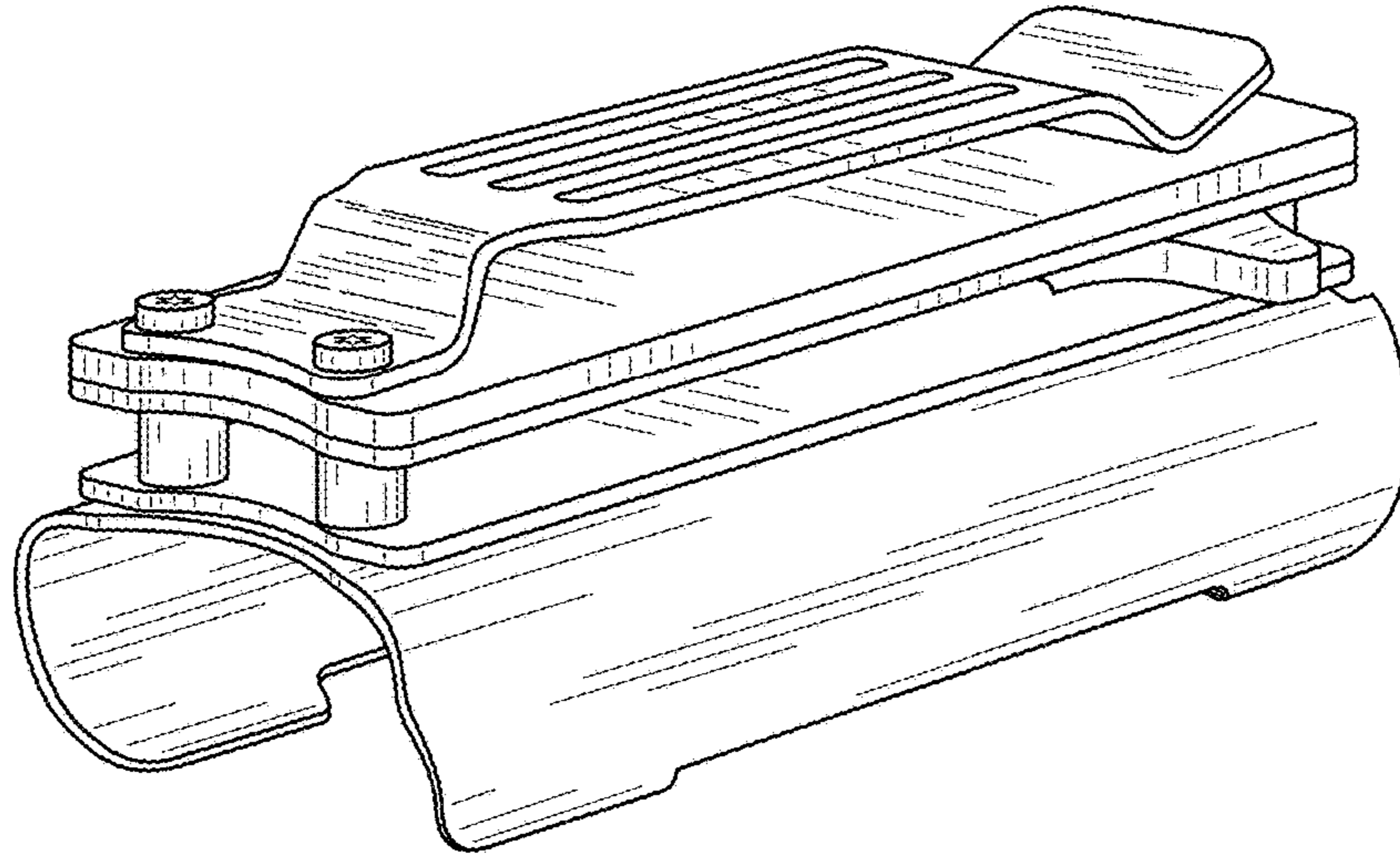


FIG. 1

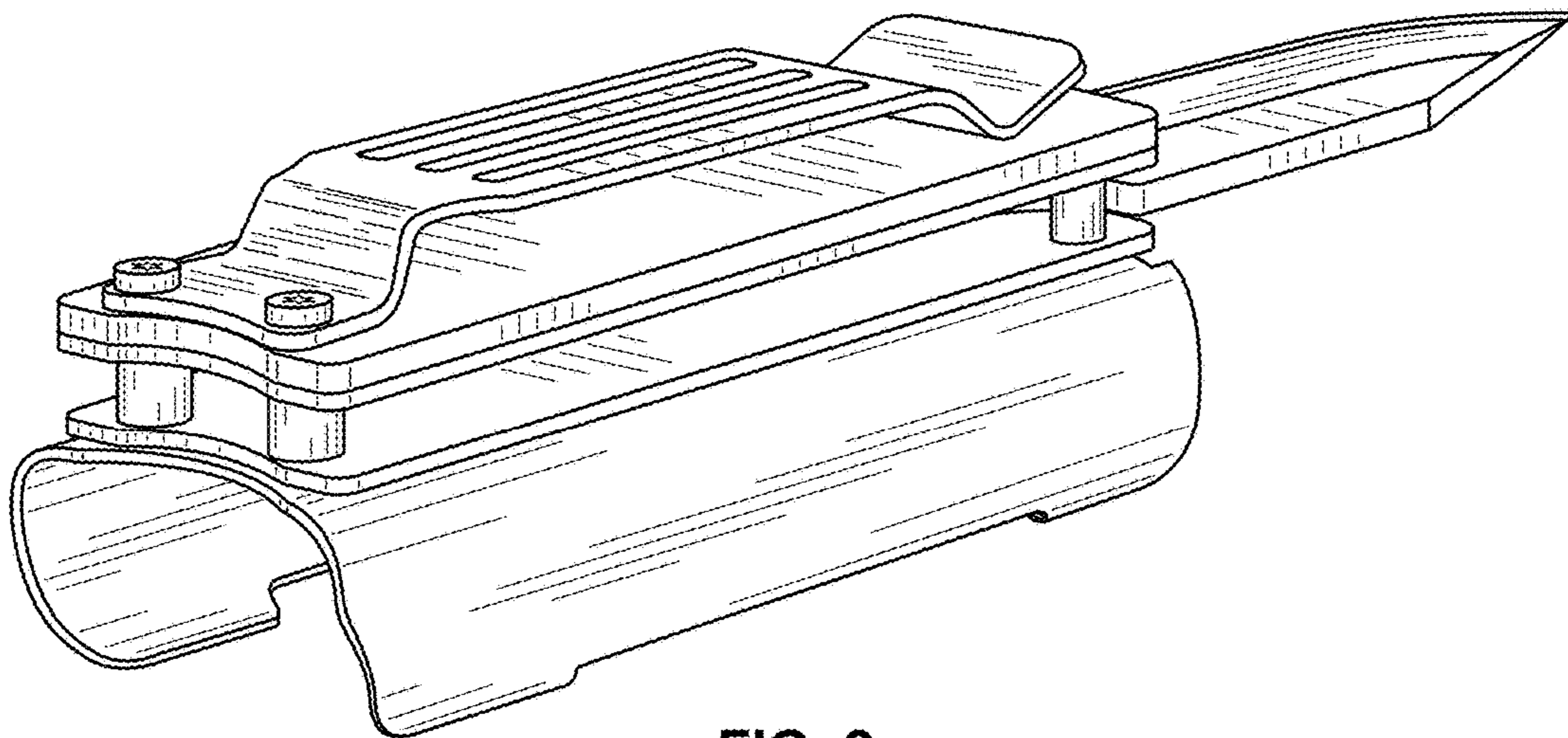


FIG. 2

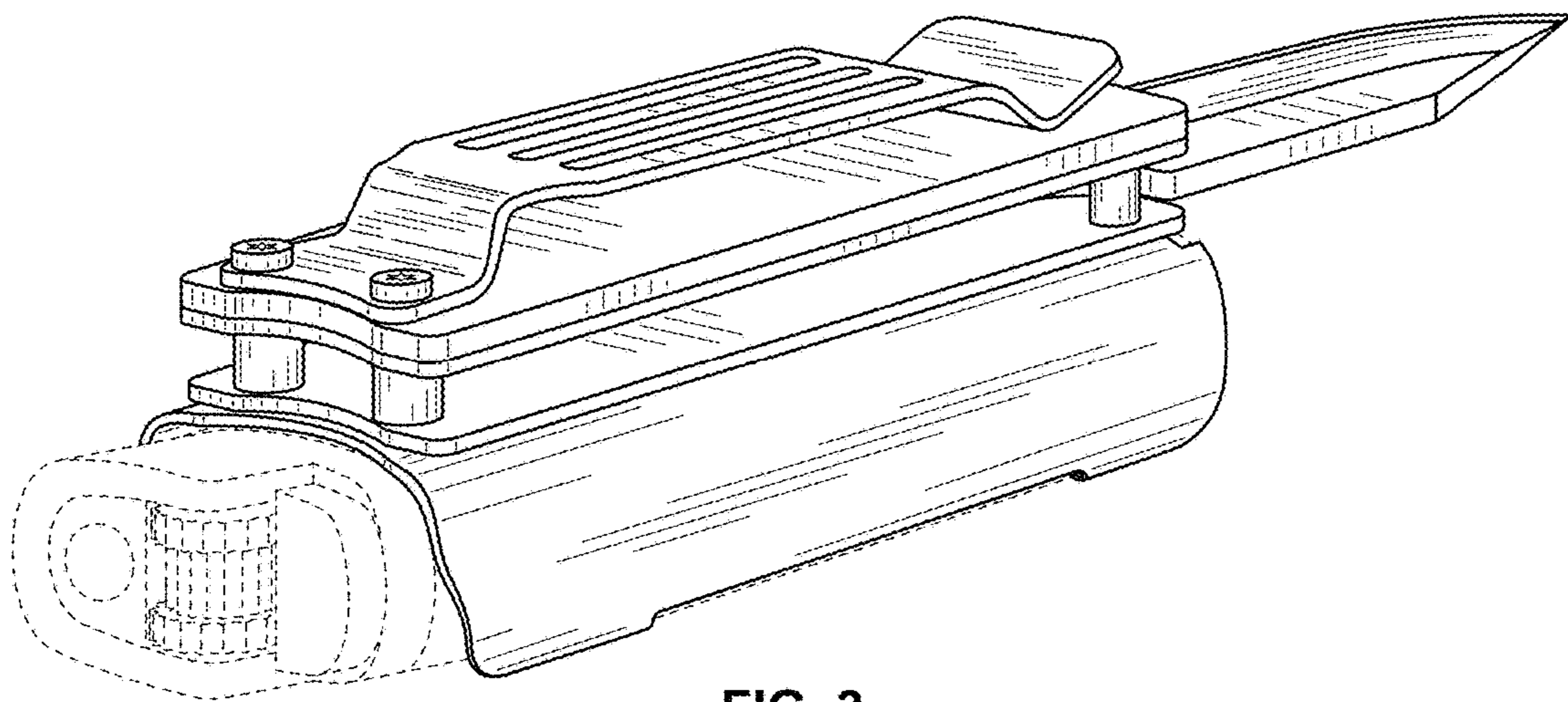


FIG. 3

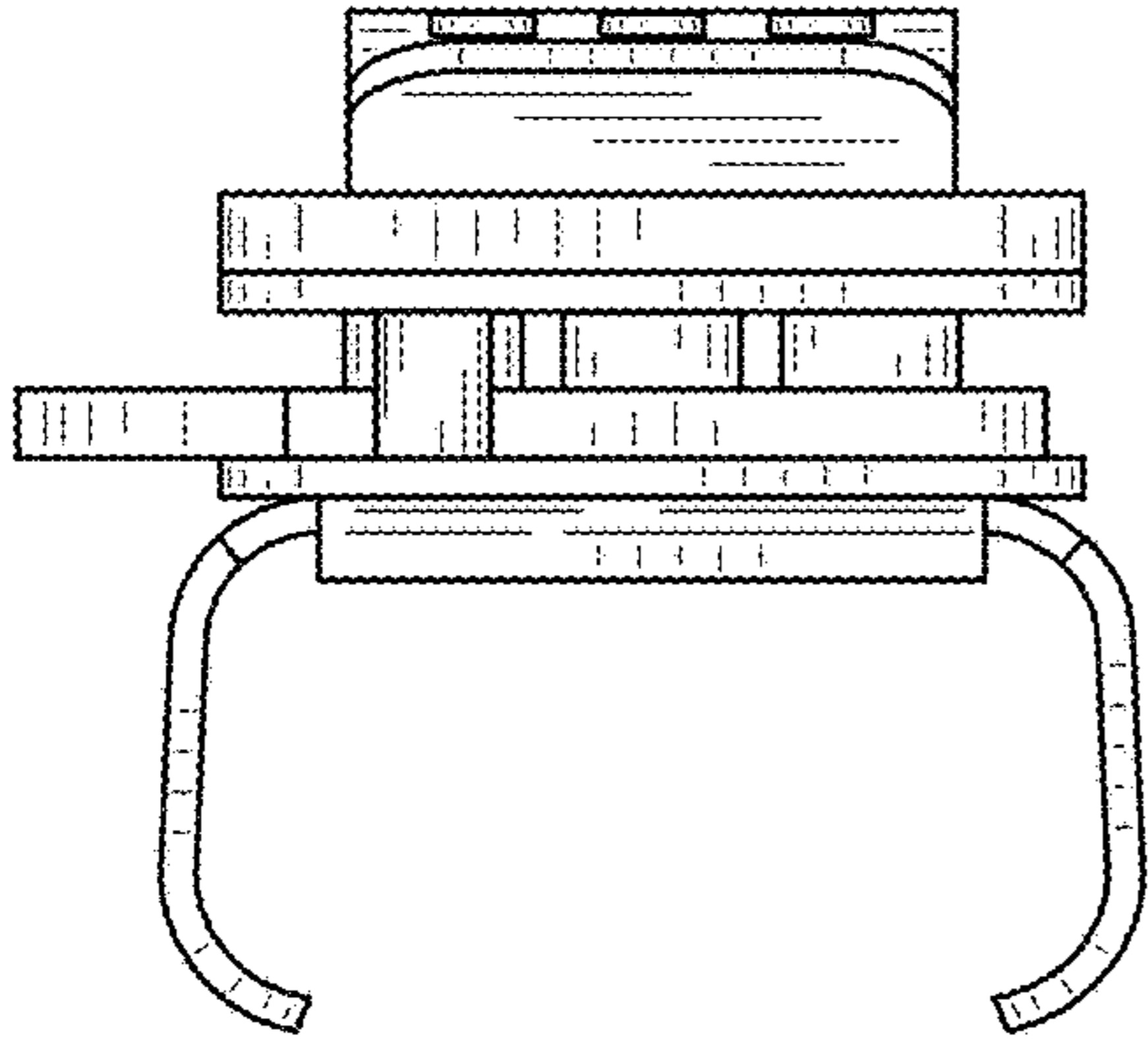


FIG. 4

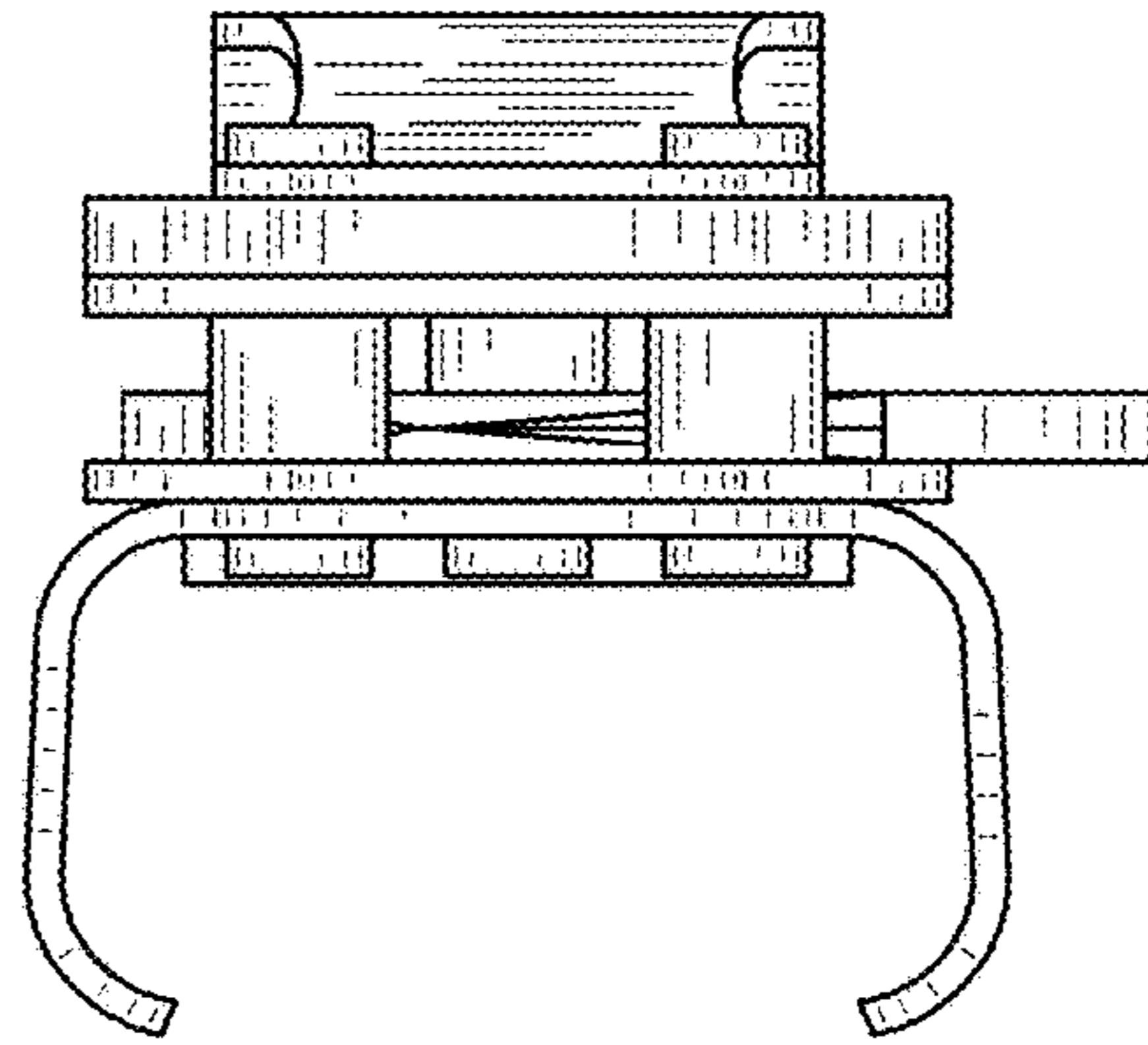


FIG. 5

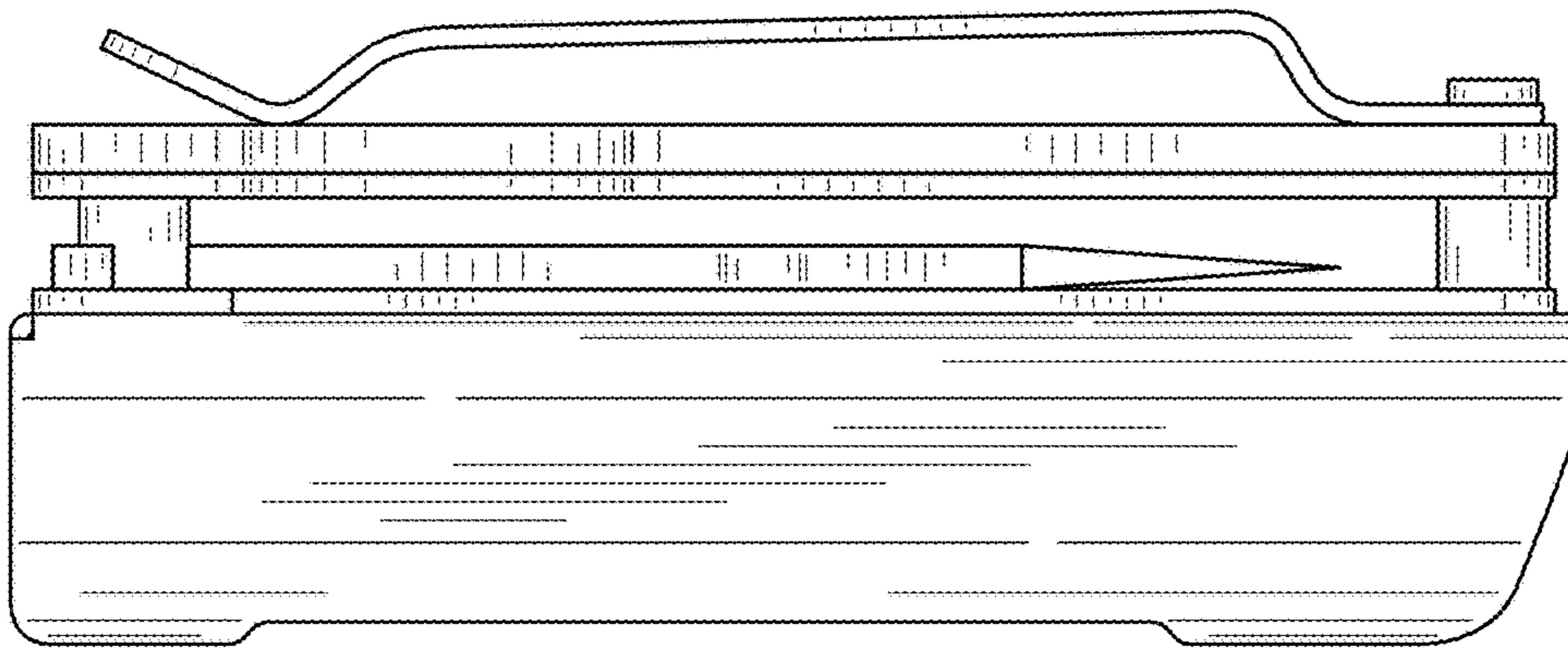


FIG. 6

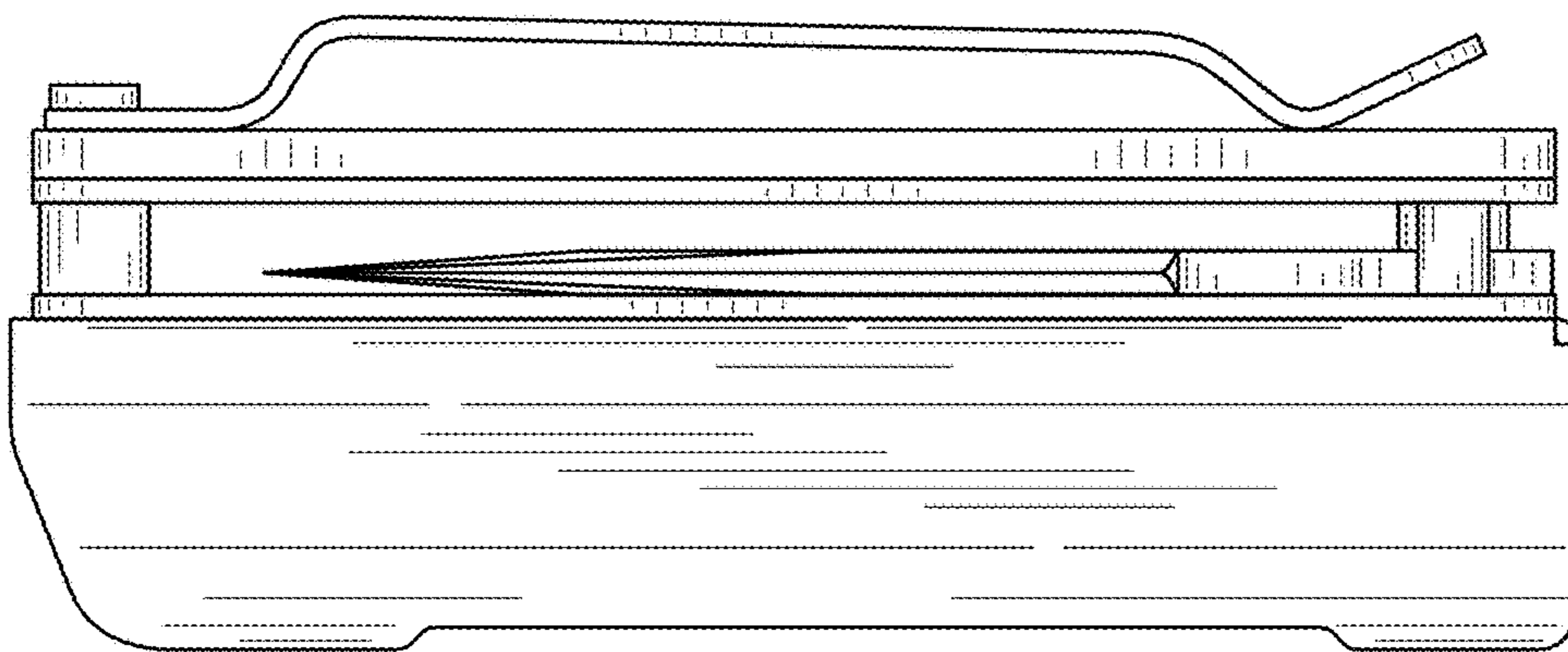


FIG. 7

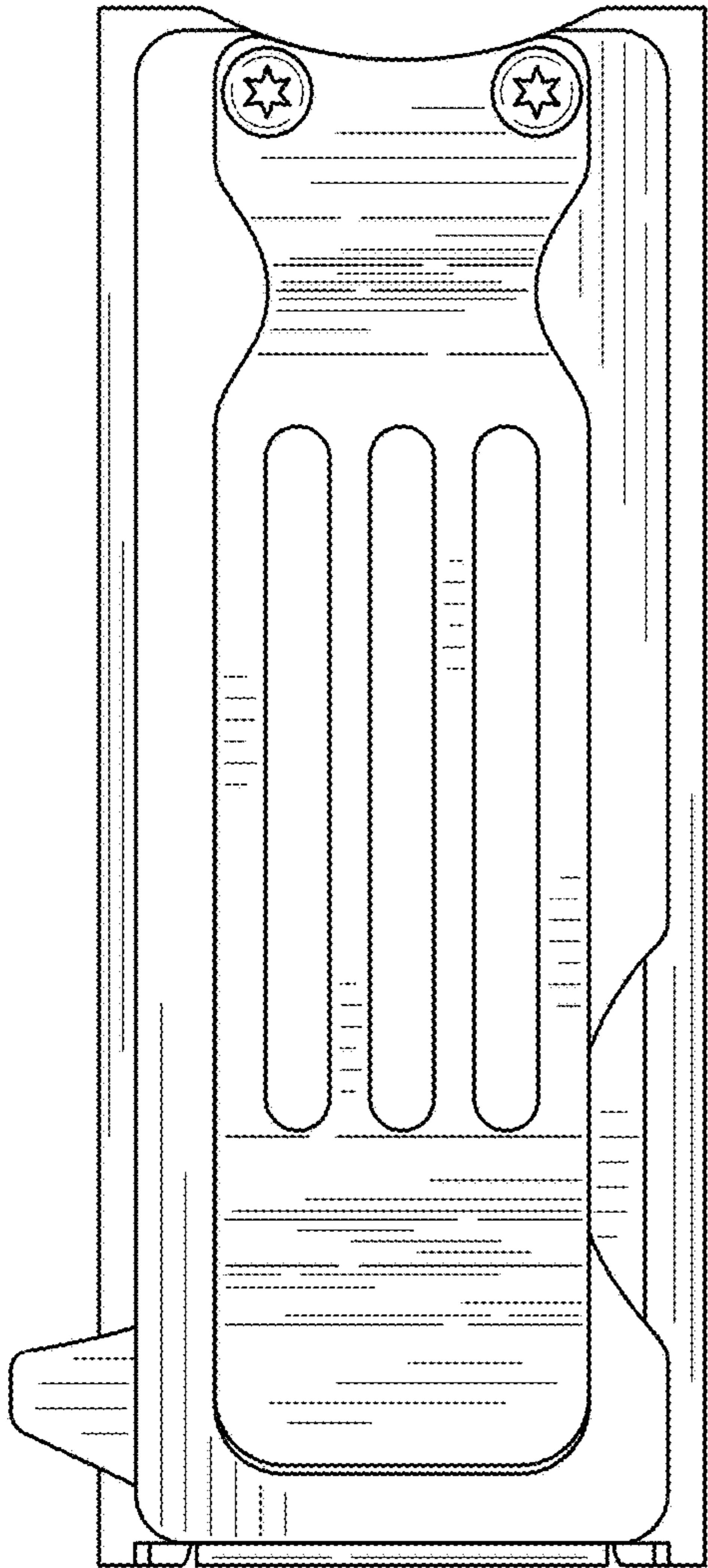


FIG. 8

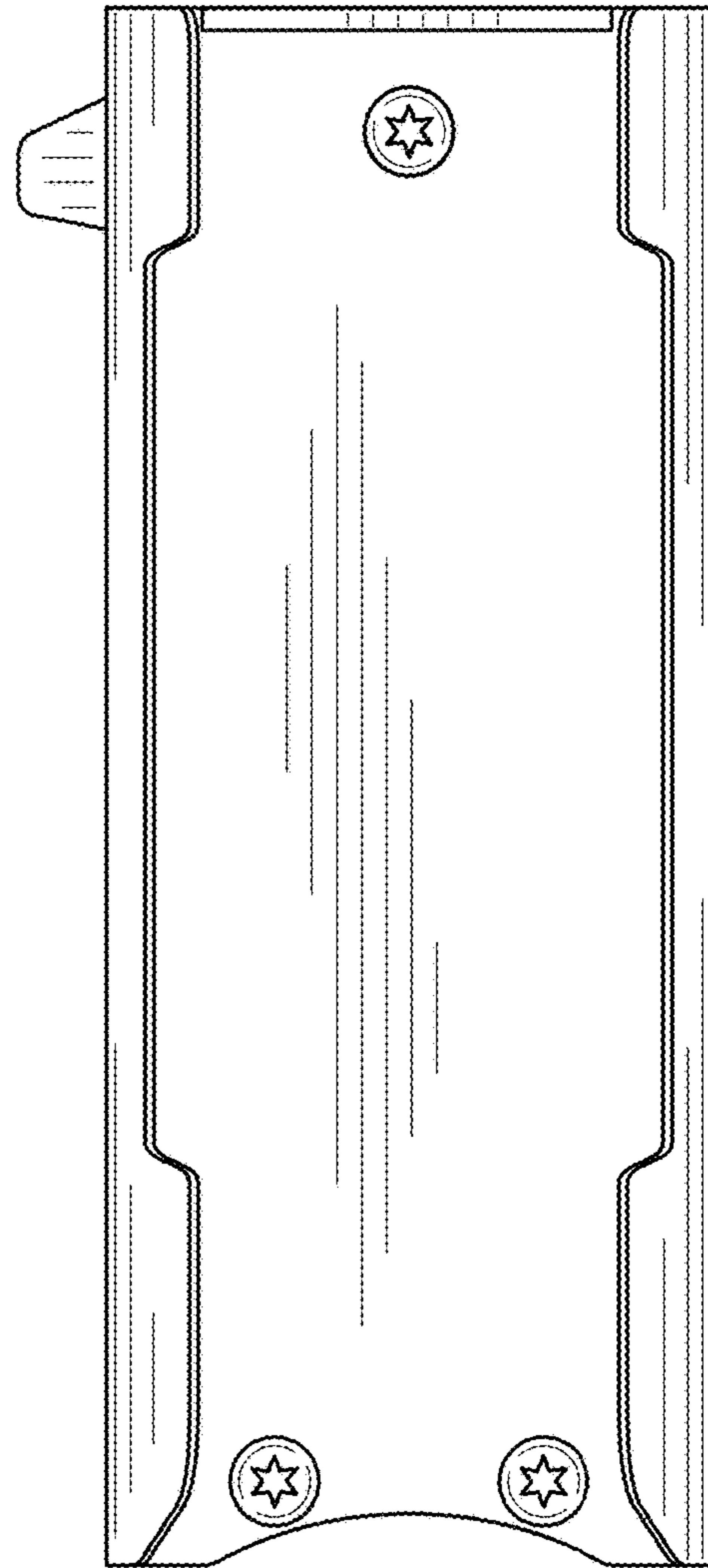
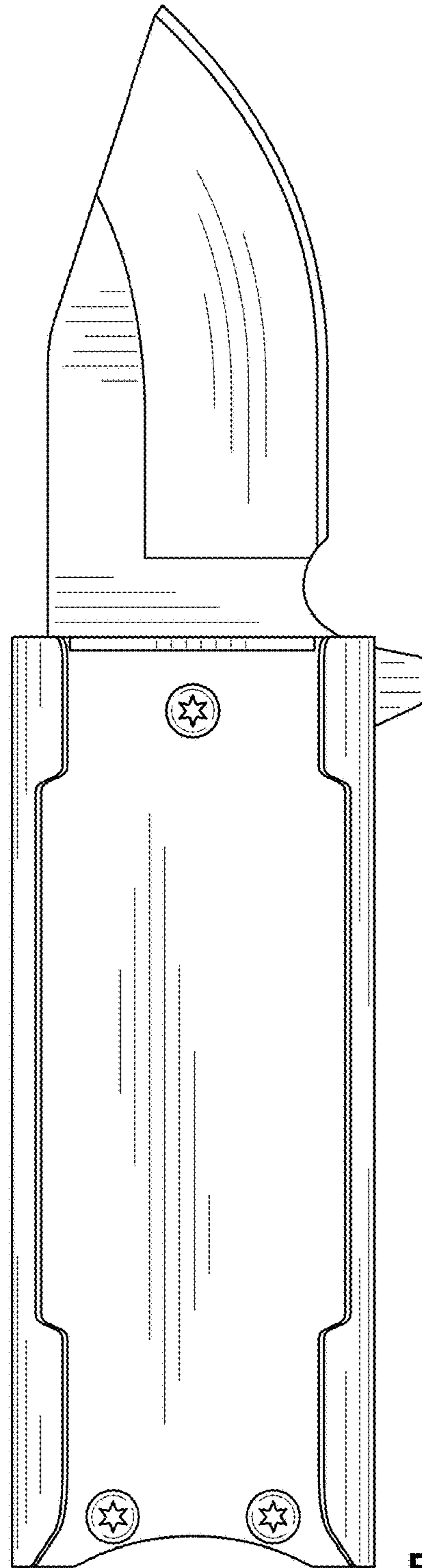
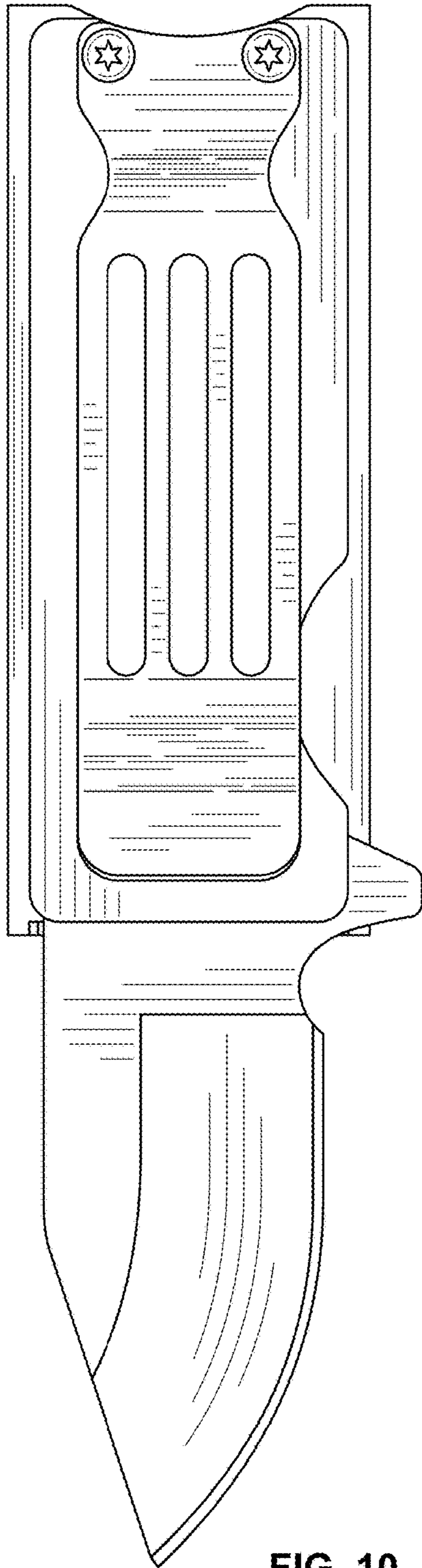


FIG. 9



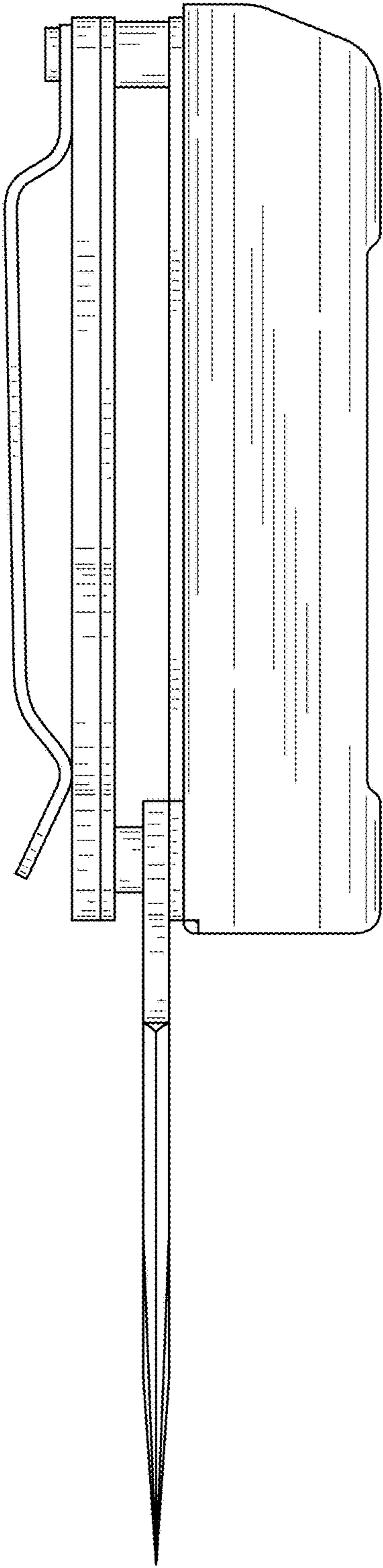


FIG. 12

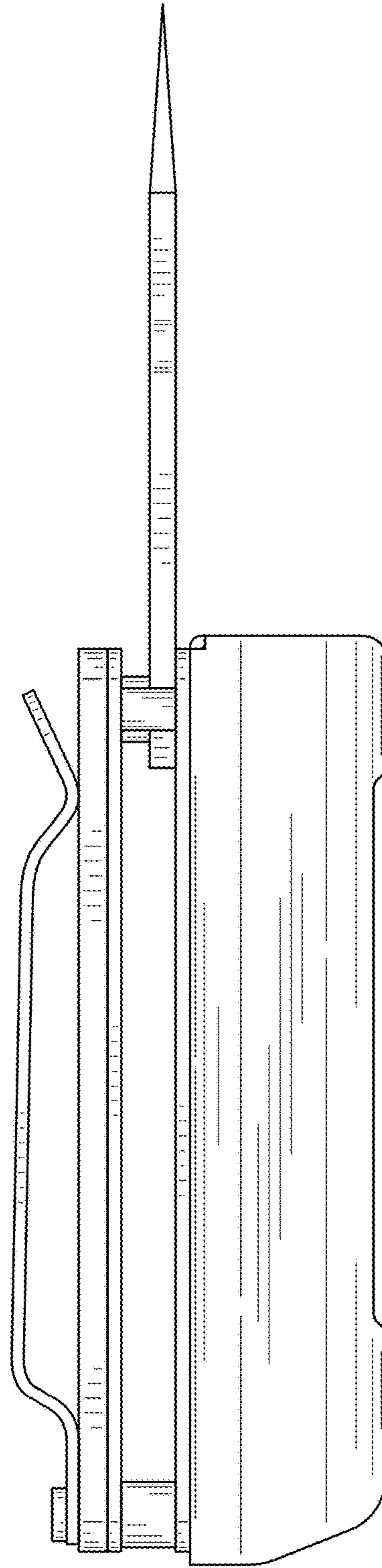


FIG. 13