



US00D832070S

(12) **United States Design Patent**
Hoang et al.

(10) **Patent No.:** **US D832,070 S**
(45) **Date of Patent:** **** Oct. 30, 2018**

(54) **TOOL HOLDER**

(71) Applicant: **Tuanhai V Hoang**, Mercer Island, WA (US)

(72) Inventors: **Tuanhai V. Hoang**, Mercer Island, WA (US); **Curtis S King**, Kirkland, WA (US)

(73) Assignee: **Tuanhai V. Hoang**, Mercer Island, WA (US)

(**) Term: **15 Years**

(21) Appl. No.: **29/593,469**

(22) Filed: **Feb. 8, 2017**

(51) **LOC (11) Cl.** **08-05**

(52) **U.S. Cl.**
USPC **D8/71**

(58) **Field of Classification Search**
USPC D8/71; 52/127.2, 146, 149, 150, 151, 52/152; 248/351, 354.3
See application file for complete search history.

(56) **References Cited**

U.S. PATENT DOCUMENTS

| | | | | | |
|-----------|------|---------|----------|-------|-------------------------|
| 4,134,499 | A * | 1/1979 | Joswig | | B25H 3/04 211/66 |
| 4,372,468 | A * | 2/1983 | Harvey | | B25H 3/00 211/70.6 |
| D342,432 | S * | 12/1993 | Sadoway | | D8/71 |
| 5,743,416 | A * | 4/1998 | Yemini | | B25H 3/04 211/70.6 |
| D427,771 | S * | 7/2000 | Trejo | | D3/315 |
| D481,920 | S * | 11/2003 | Winig | | D8/71 |
| 7,100,776 | B2 * | 9/2006 | Berfield | | A47L 9/0063 211/70.6 |
| 8,210,313 | B2 * | 7/2012 | Astor | | E06C 7/14 182/129 |
| 8,272,478 | B2 * | 9/2012 | Astor | | E06C 7/14 182/129 |

* cited by examiner

Primary Examiner — Lakiya G Rogers

Assistant Examiner — Harold E Blackwell, II

(74) *Attorney, Agent, or Firm* — Brian C. Trask

(57) **CLAIM**

The ornamental design for a tool holder, as shown and described.

DESCRIPTION

FIG. 1 is an isometric perspective front view from above of a tool holder;

FIG. 2 is a perspective front view of the embodiment in FIG. 1, also from above but more in front than in FIG. 1;

FIGS. 3, 4, and 5 are perspective front views of the tool holder in FIG. 1, respectively taken from above, from above but closer to the centerline plane, and from below;

FIGS. 6, 7, and 8 are perspective rear views of the tool holder in FIG. 1, respectively taken from above, from above but closer to the centerline plane, and from below;

FIG. 9 is a right side view in elevation of the tool holder in FIG. 1;

FIG. 10 is a left side view in elevation of the tool holder in FIG. 1;

FIG. 11 is a top plan view of the tool holder in FIG. 1;

FIG. 12 is a bottom plan view of the tool holder in FIG. 1;

FIG. 13 is an informational perspective view of the tool holder in FIG. 1, with tools installed;

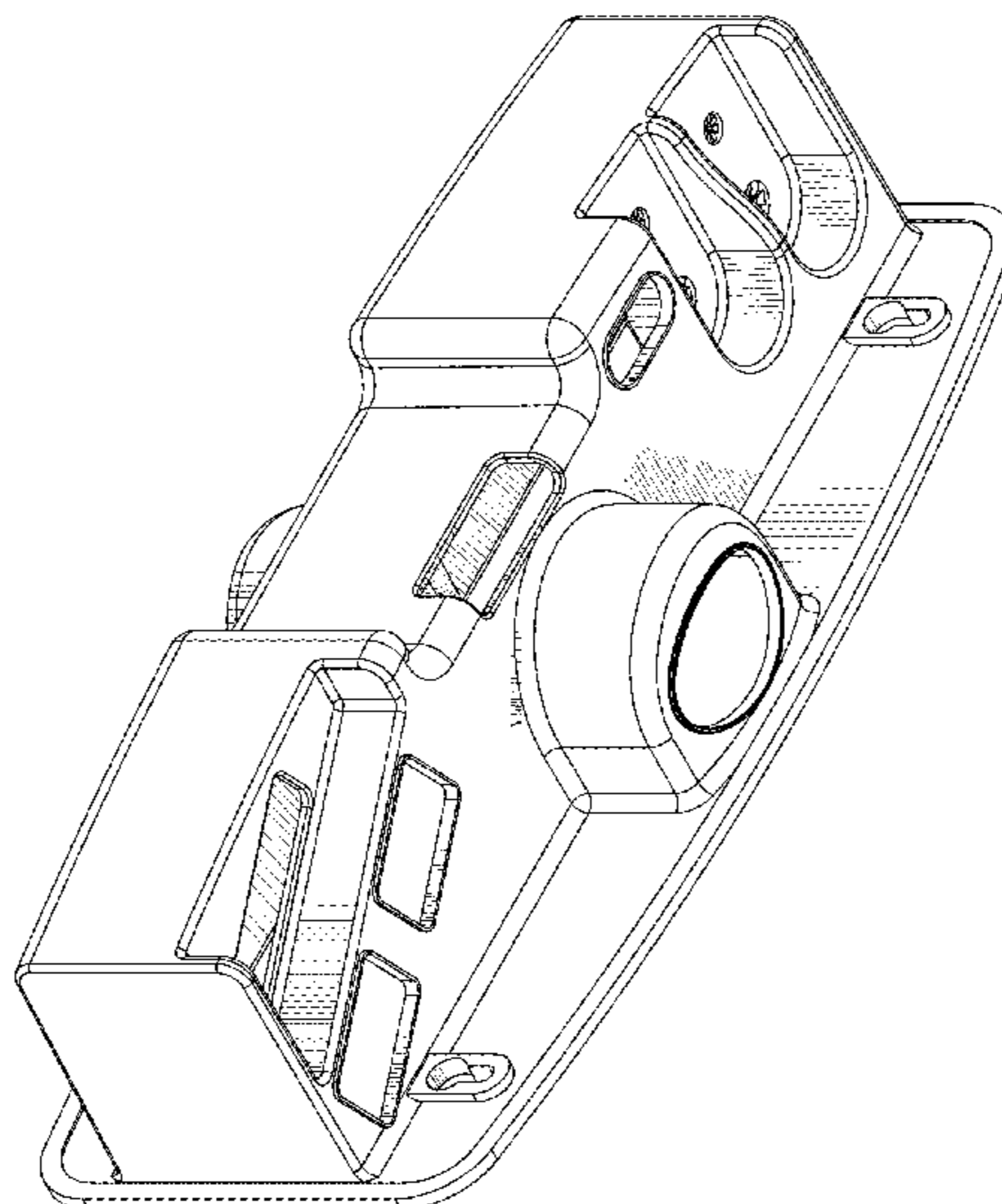
FIG. 14 is a front informational view in perspective;

FIG. 15 is a rear informational view in perspective; and,

FIG. 16 is an informational detail view indicated by circled 16 in FIG. 15.

In which structure shown in dashed lines is intended to convey reference information, and is not part of the claimed design.

1 Claim, 10 Drawing Sheets



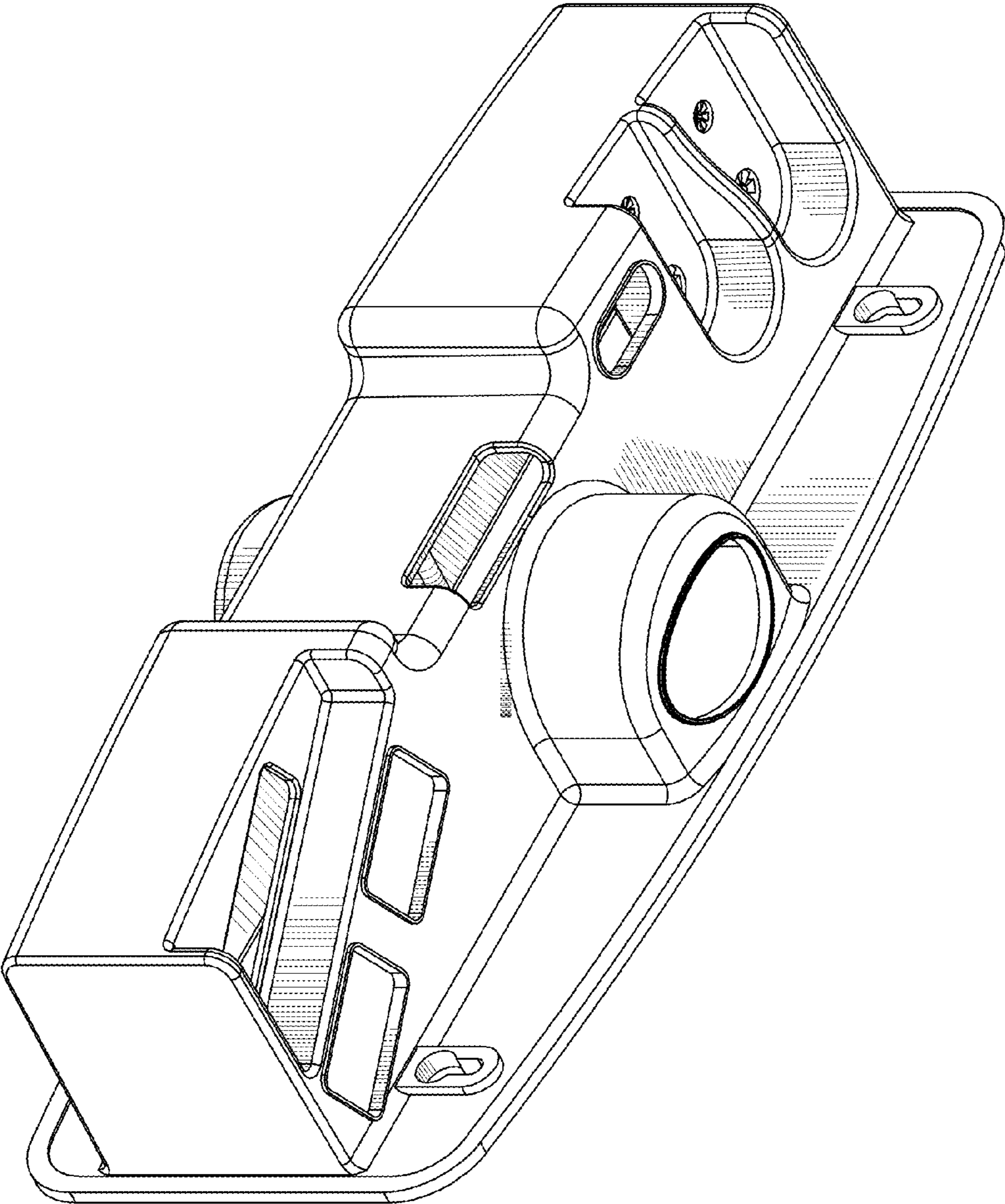


Fig. 1

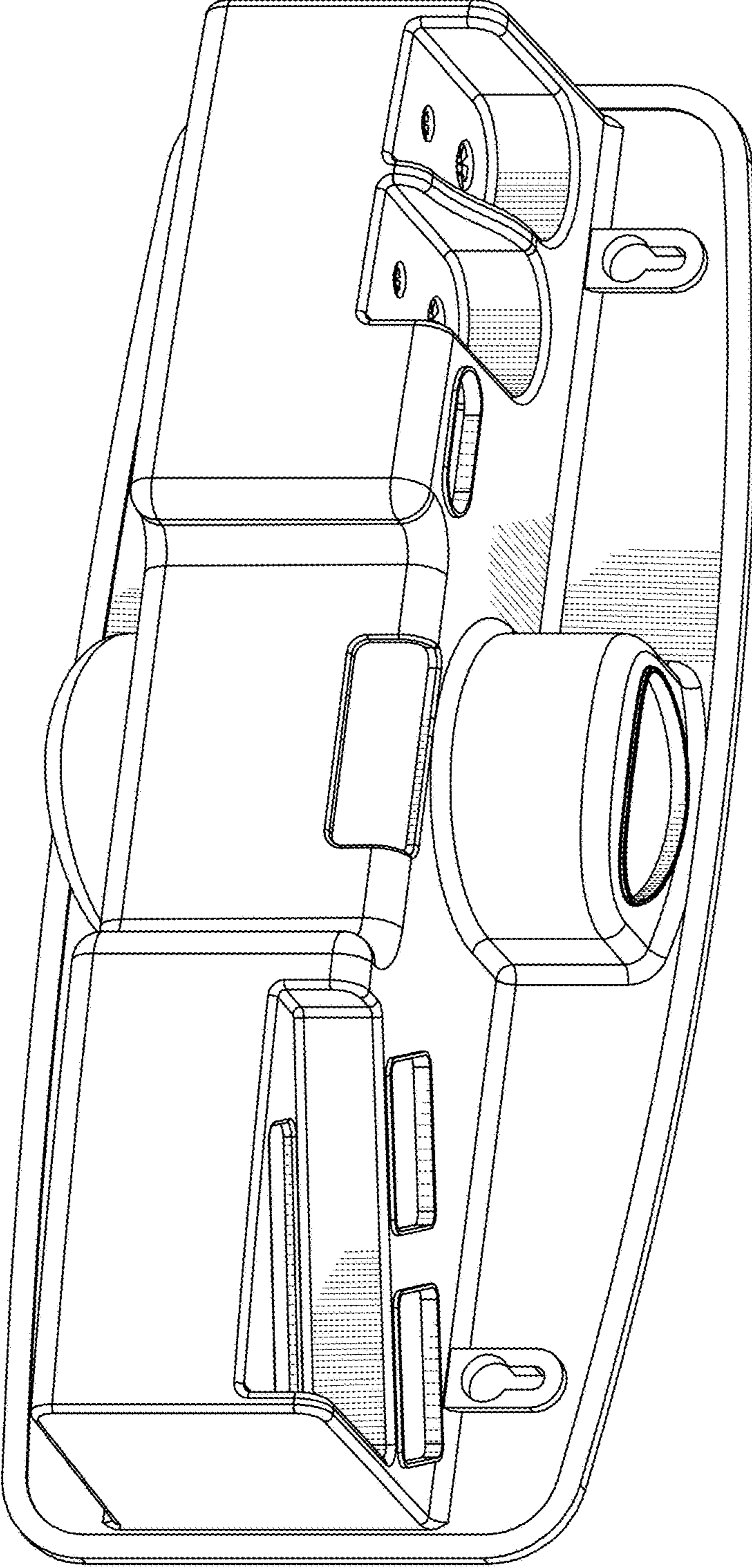


Fig. 2

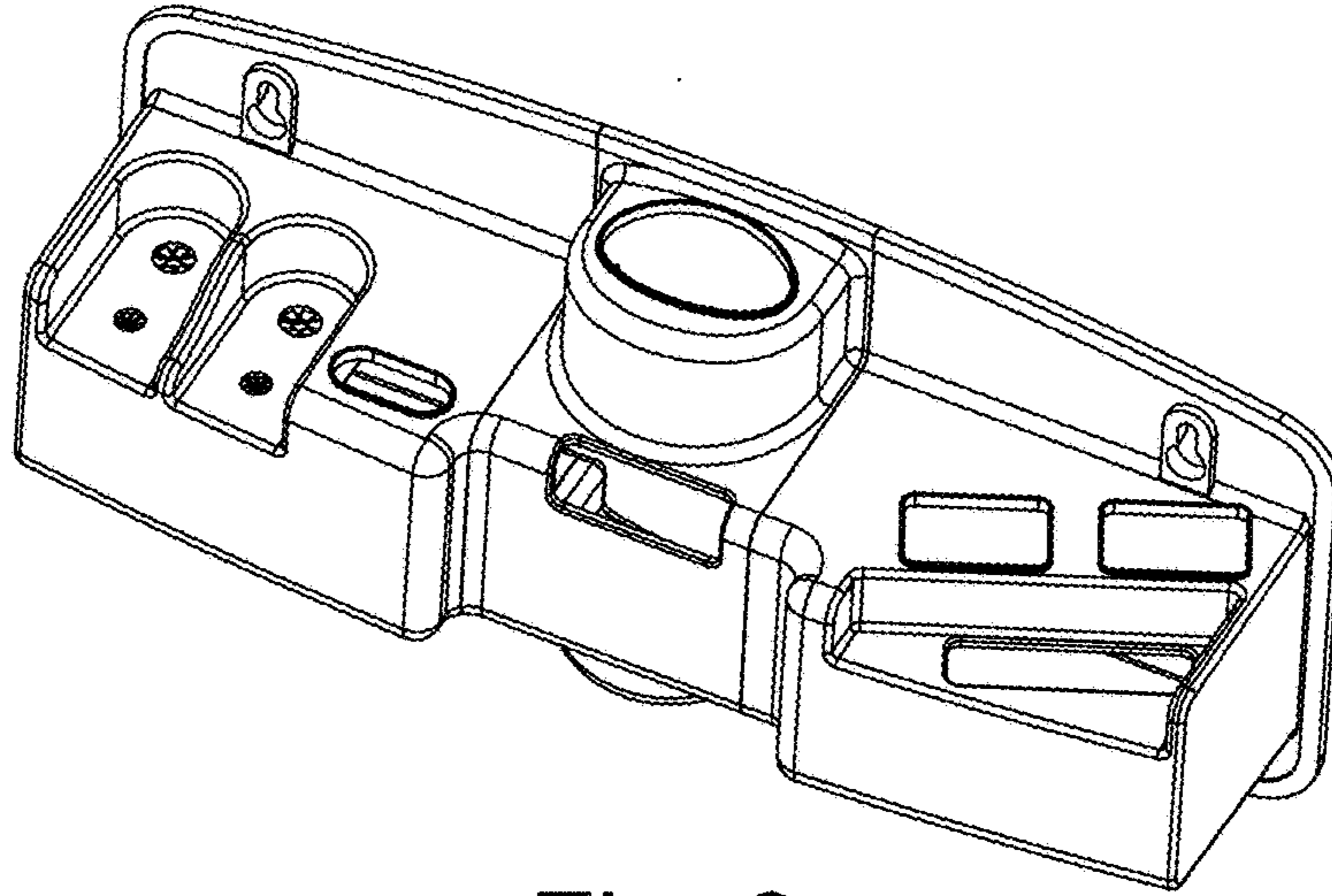


Fig. 3

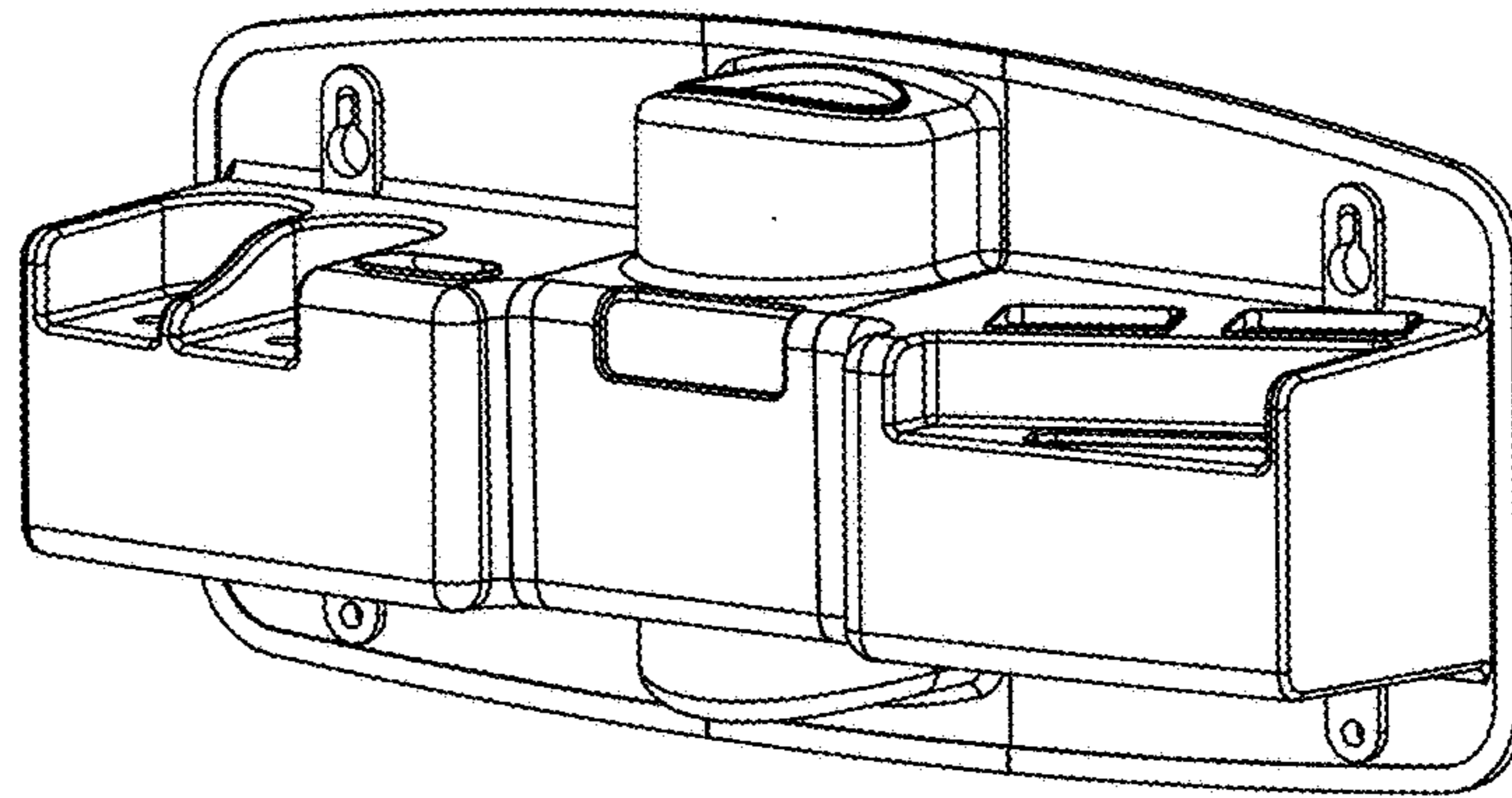


Fig. 4

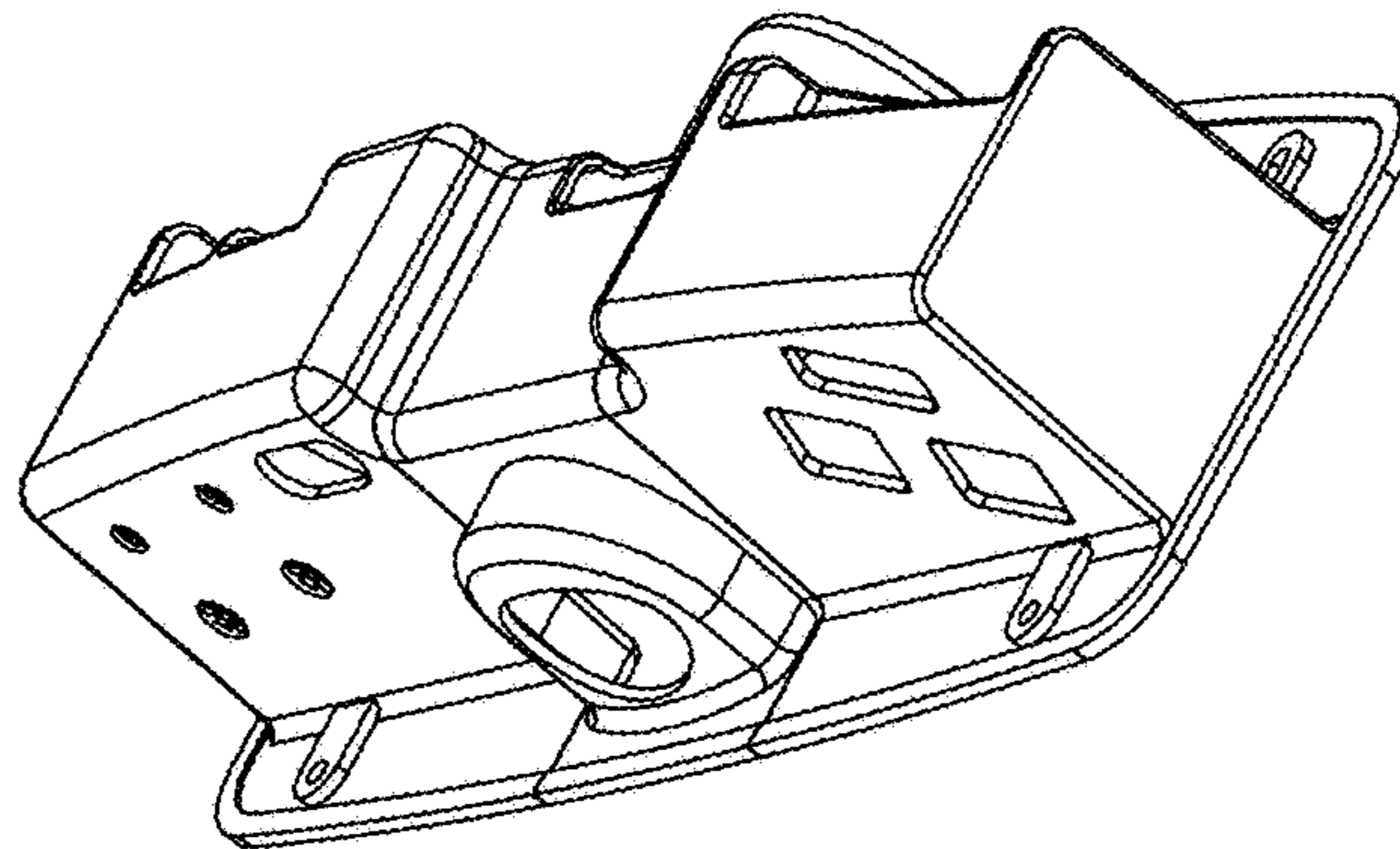


Fig. 5

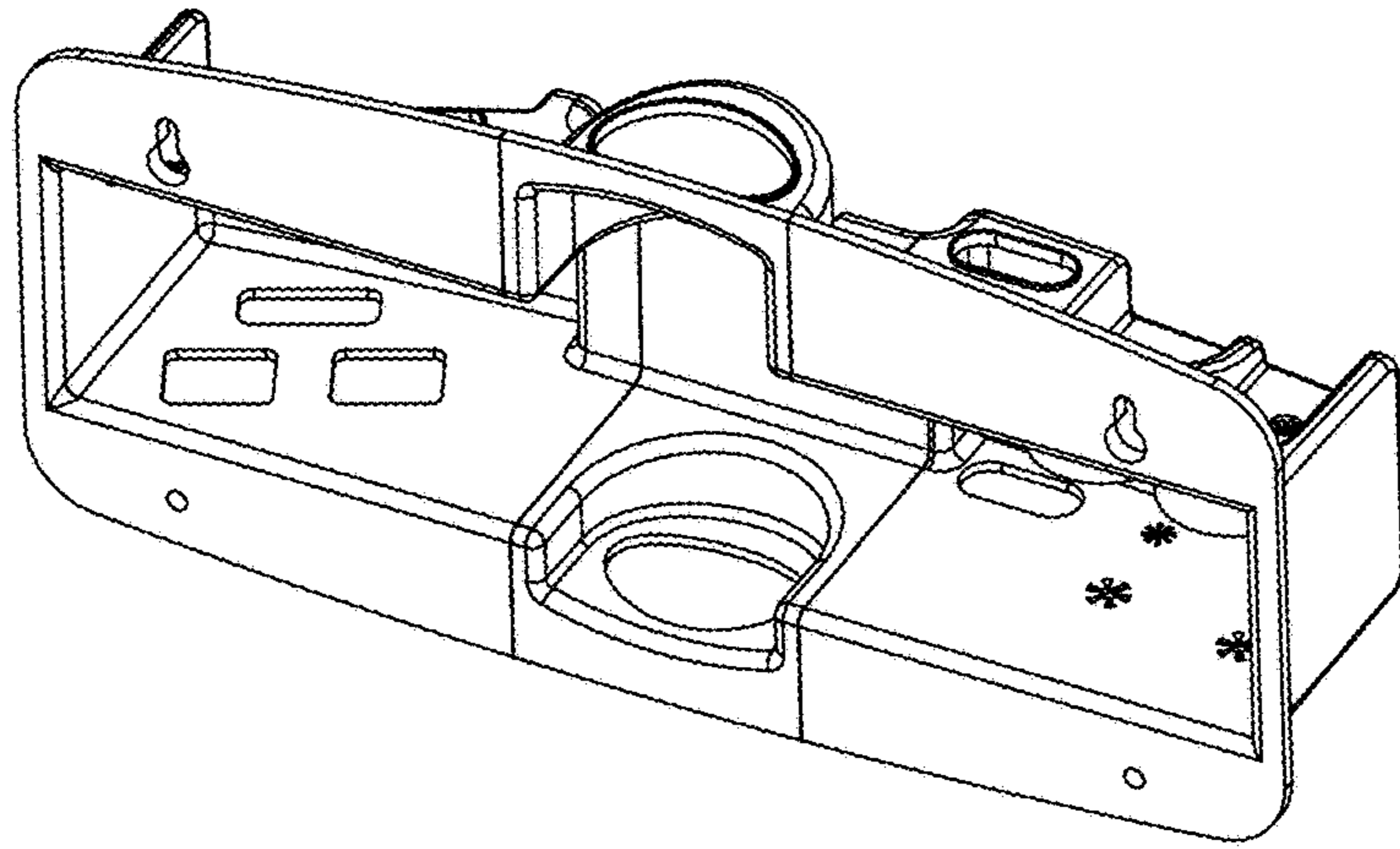


Fig. 6

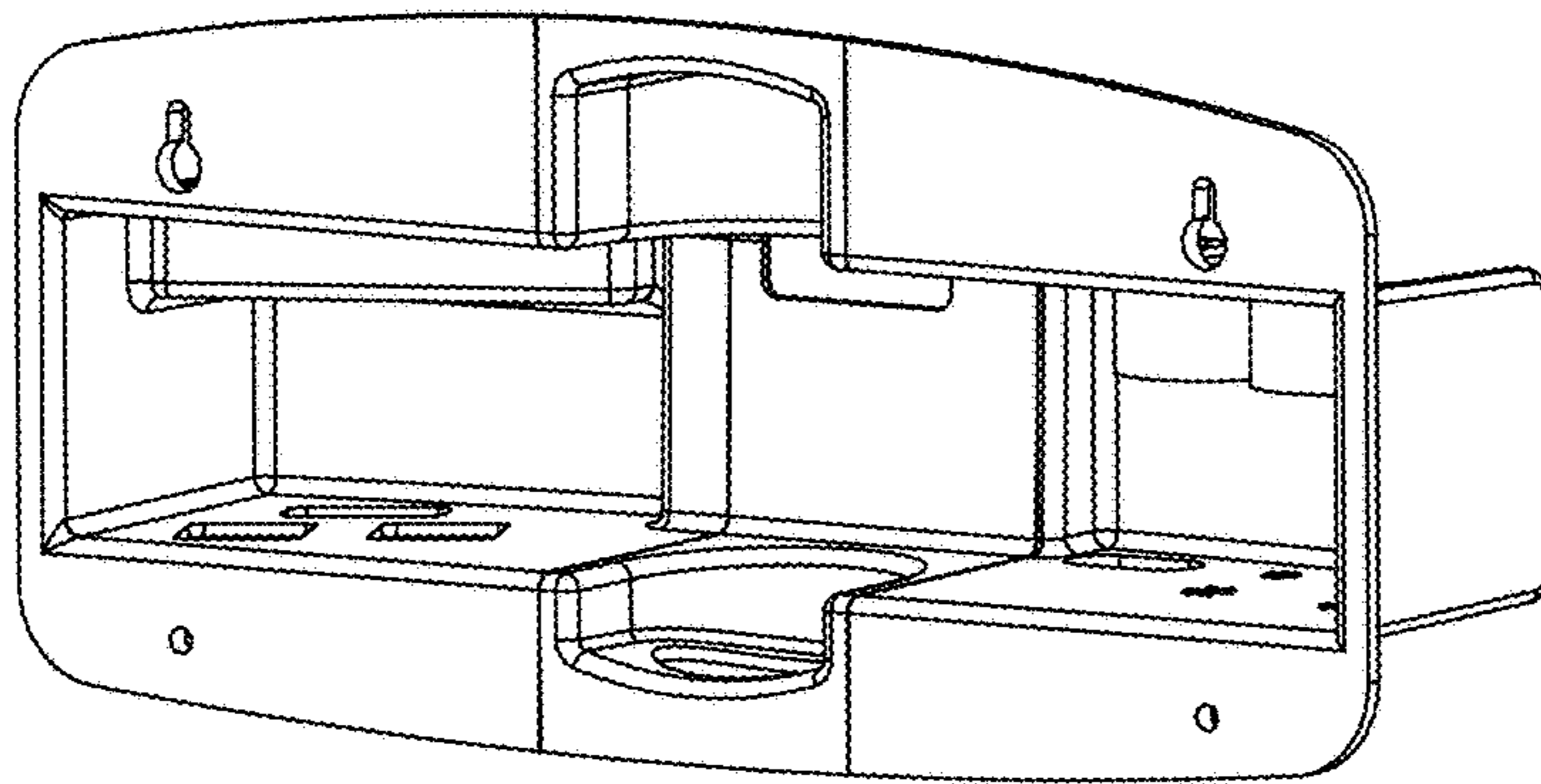


Fig. 7

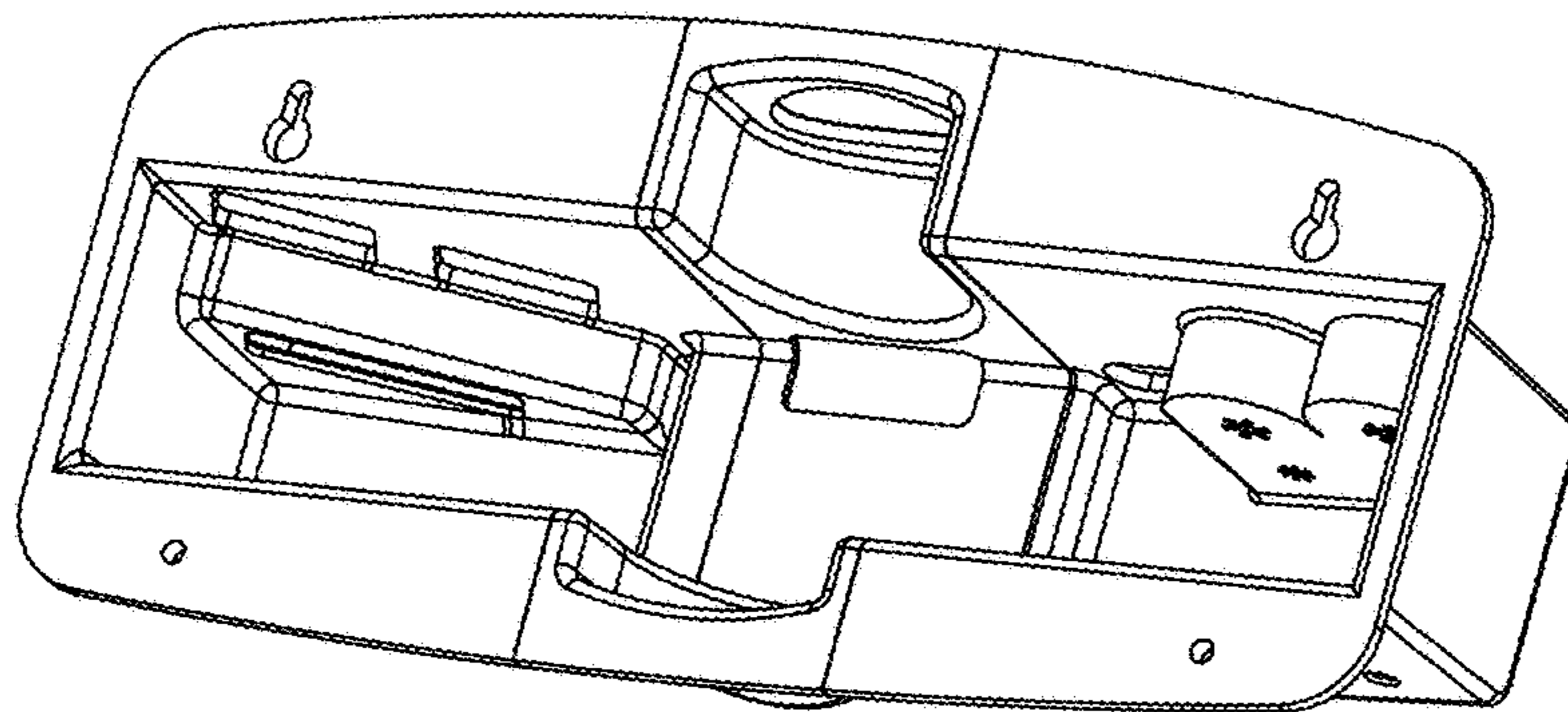


Fig. 8

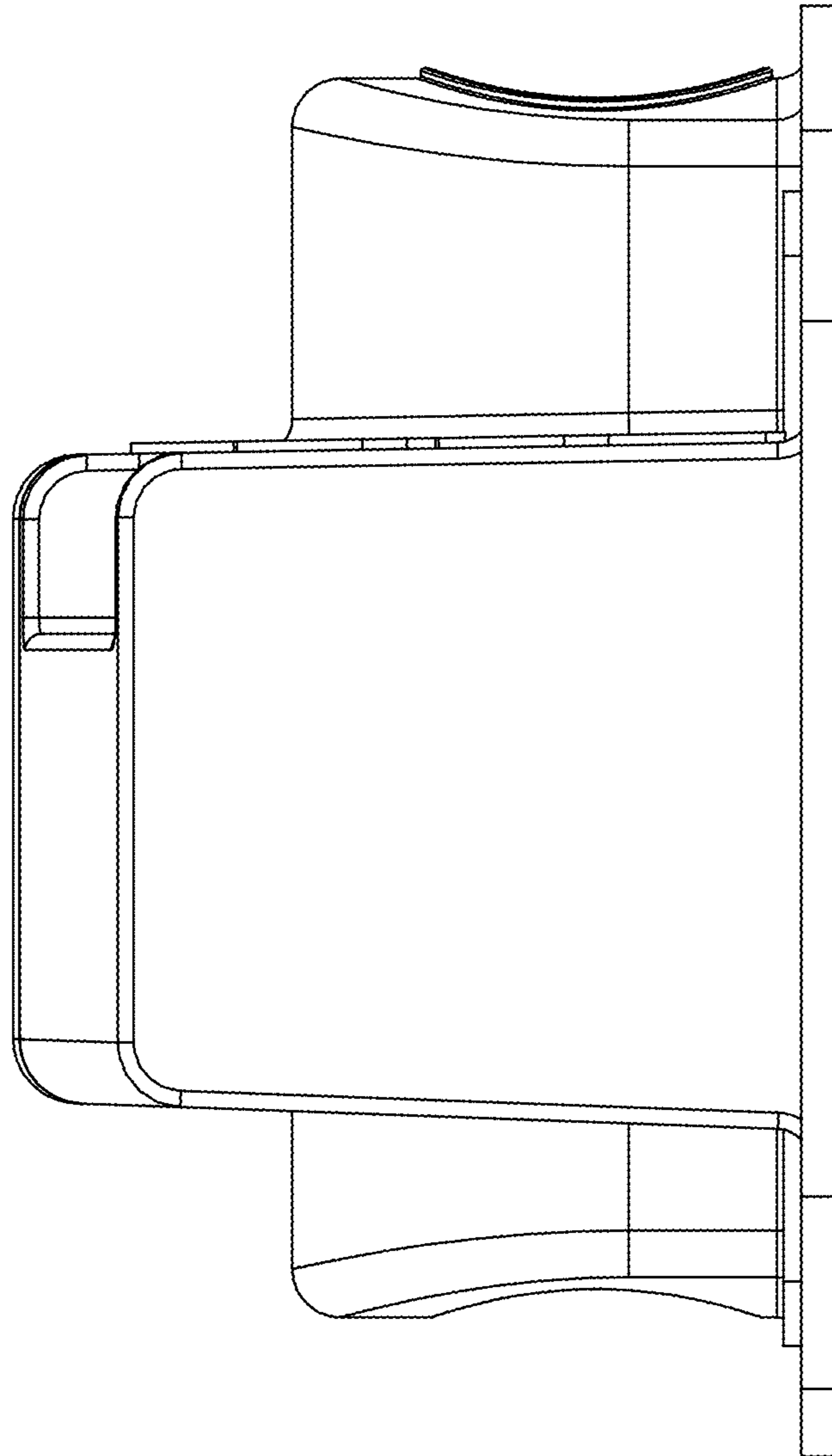


Fig. 9

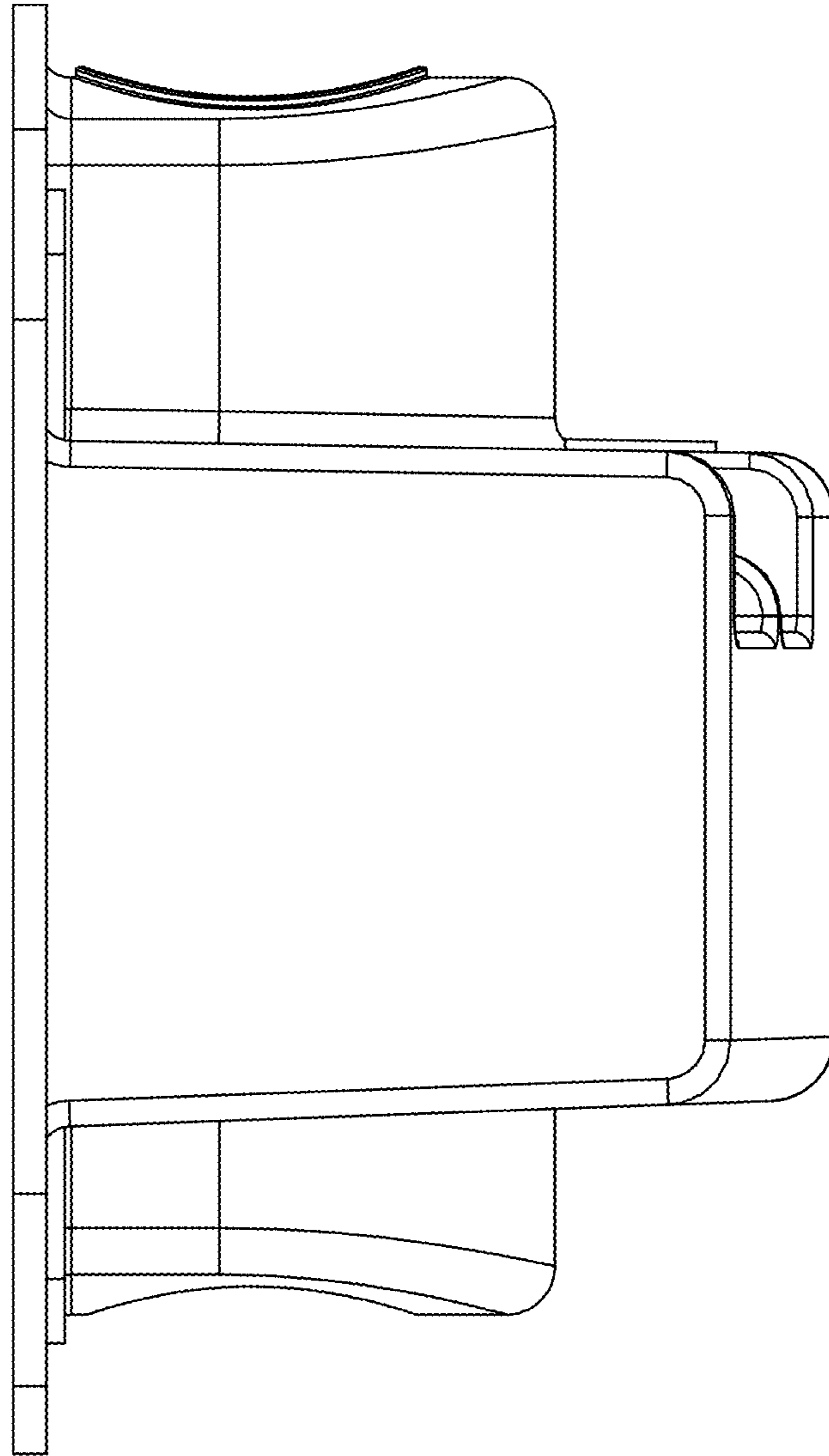


Fig. 10

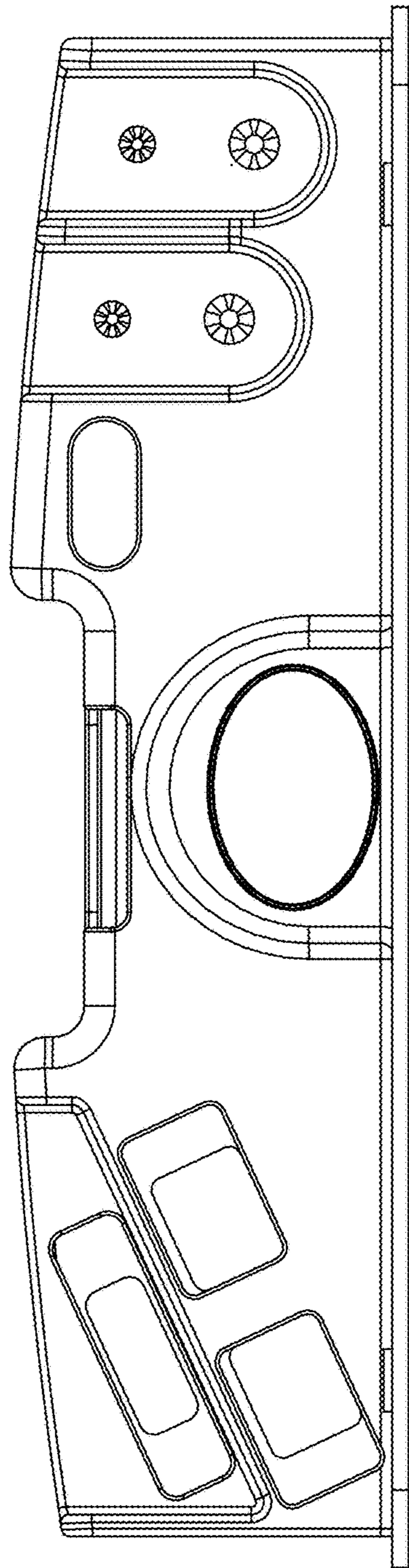


Fig. 11

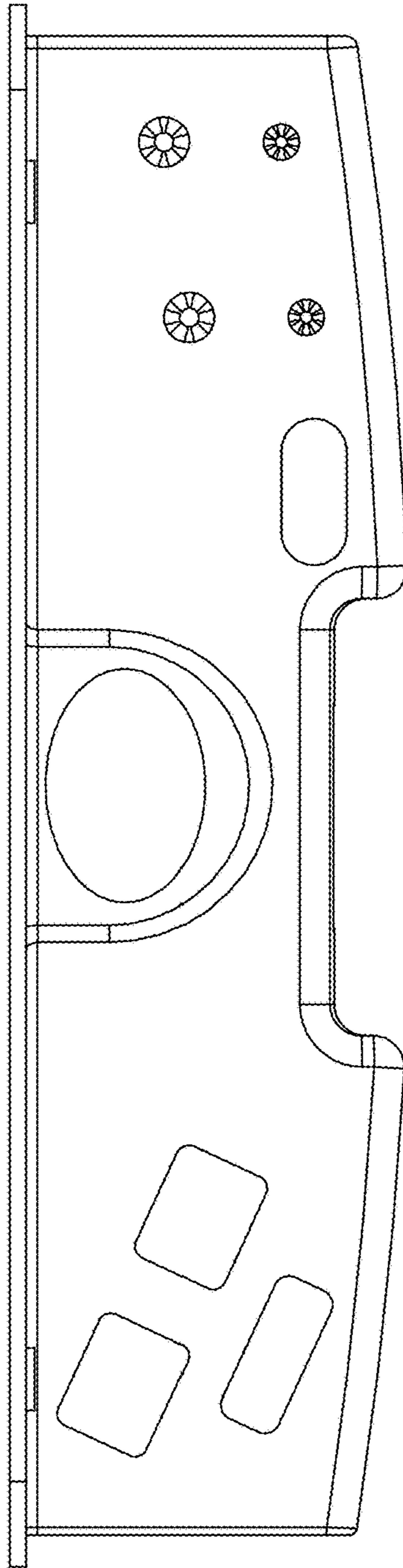


Fig. 12

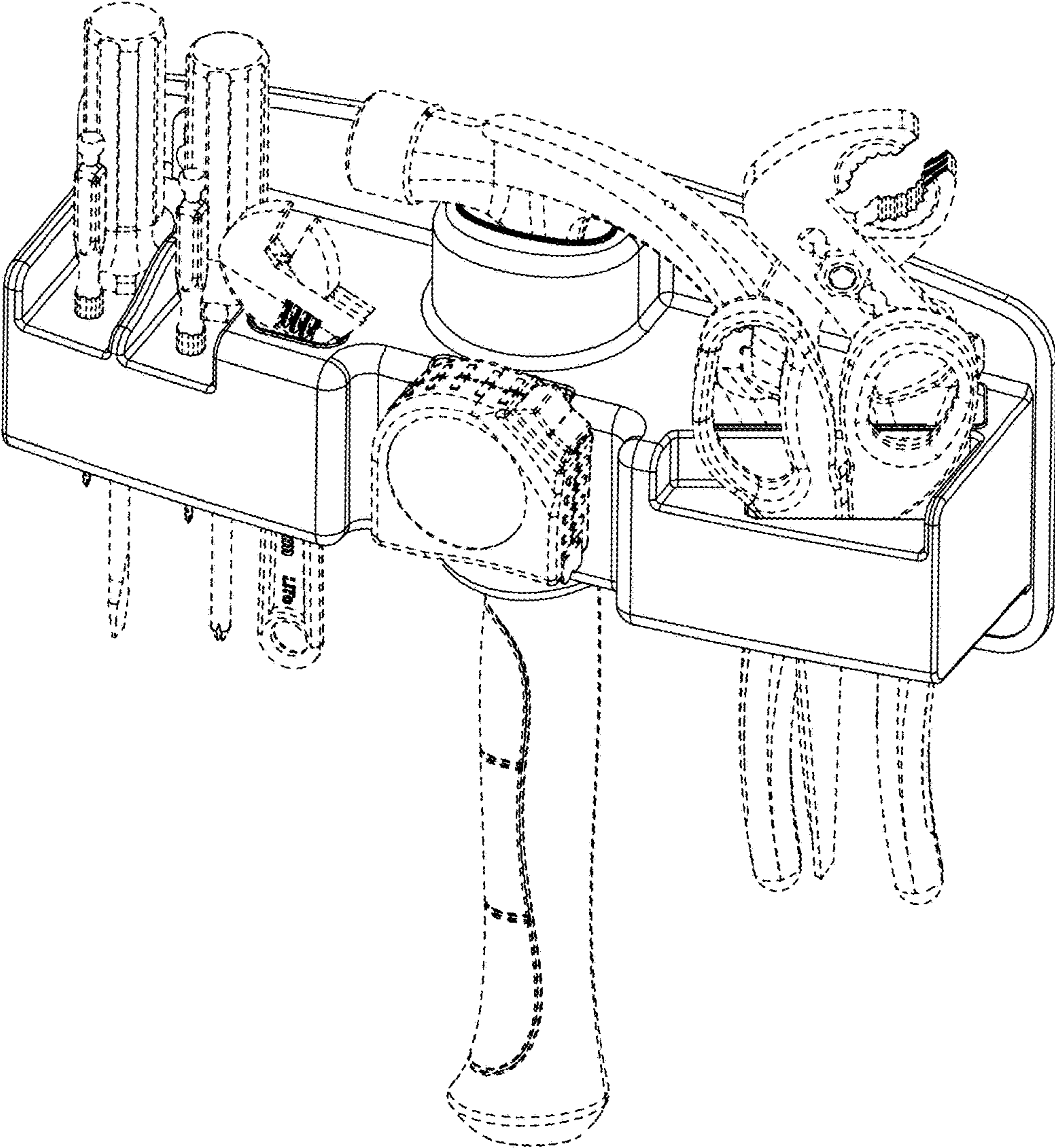


Fig. 13

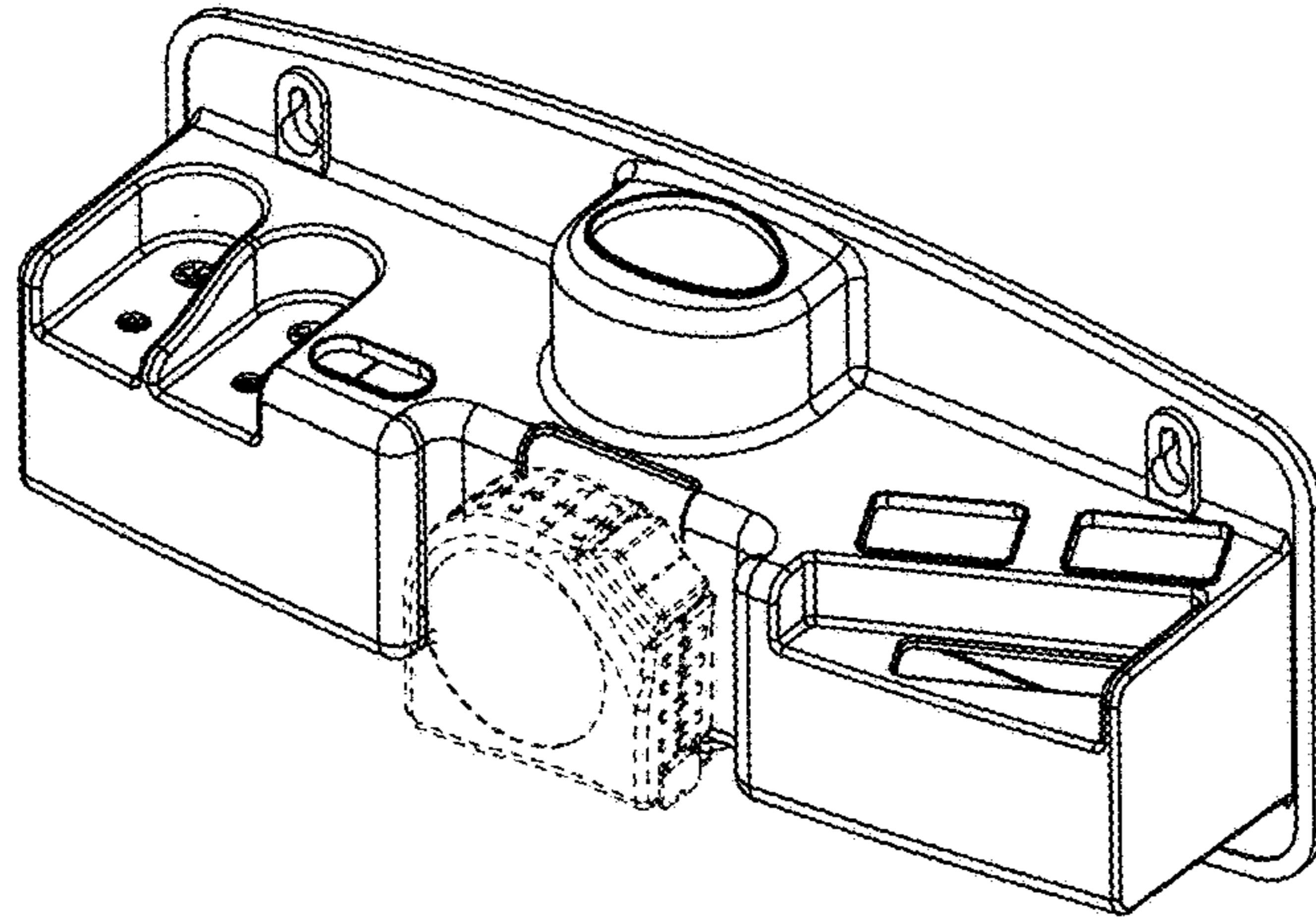


Fig. 14

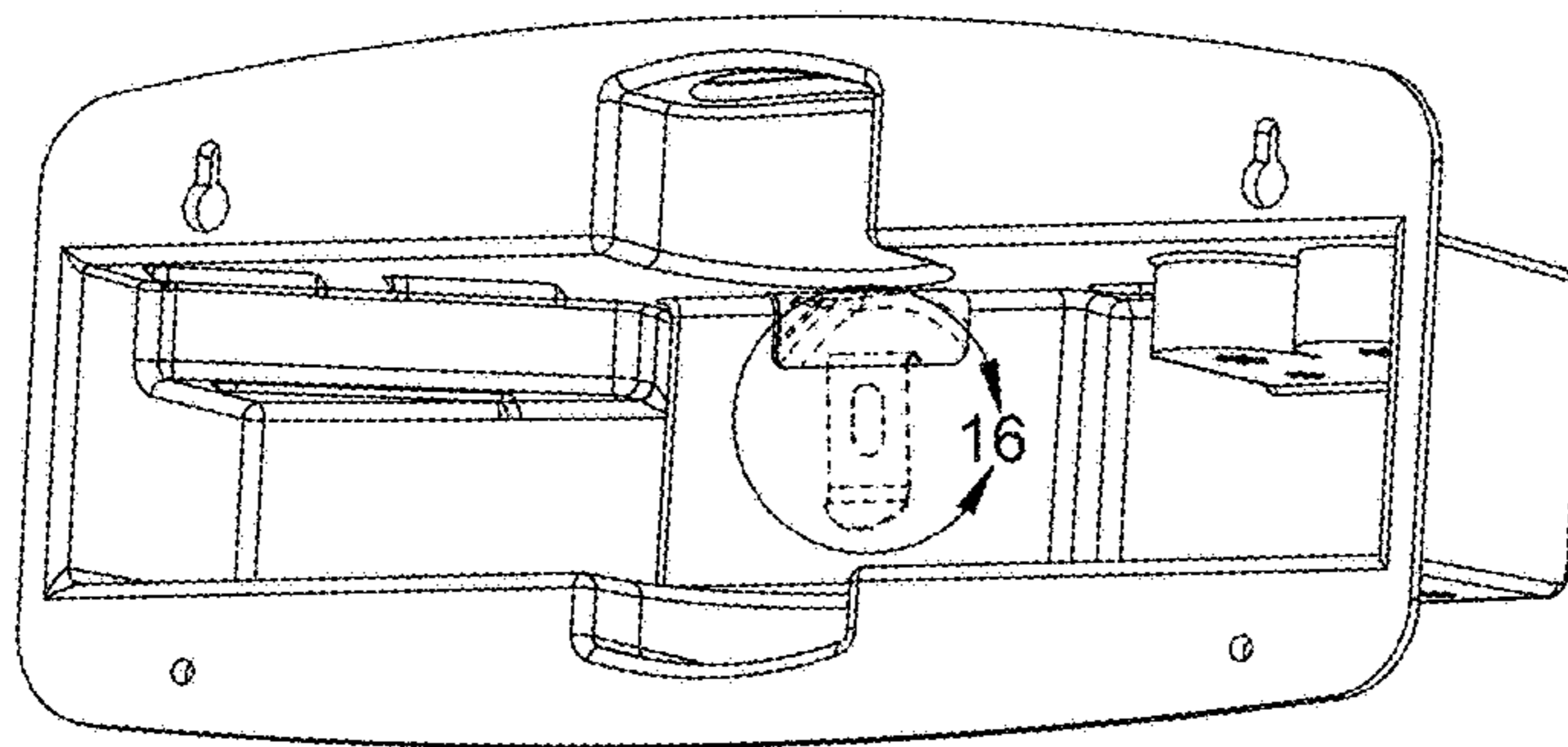


Fig. 15

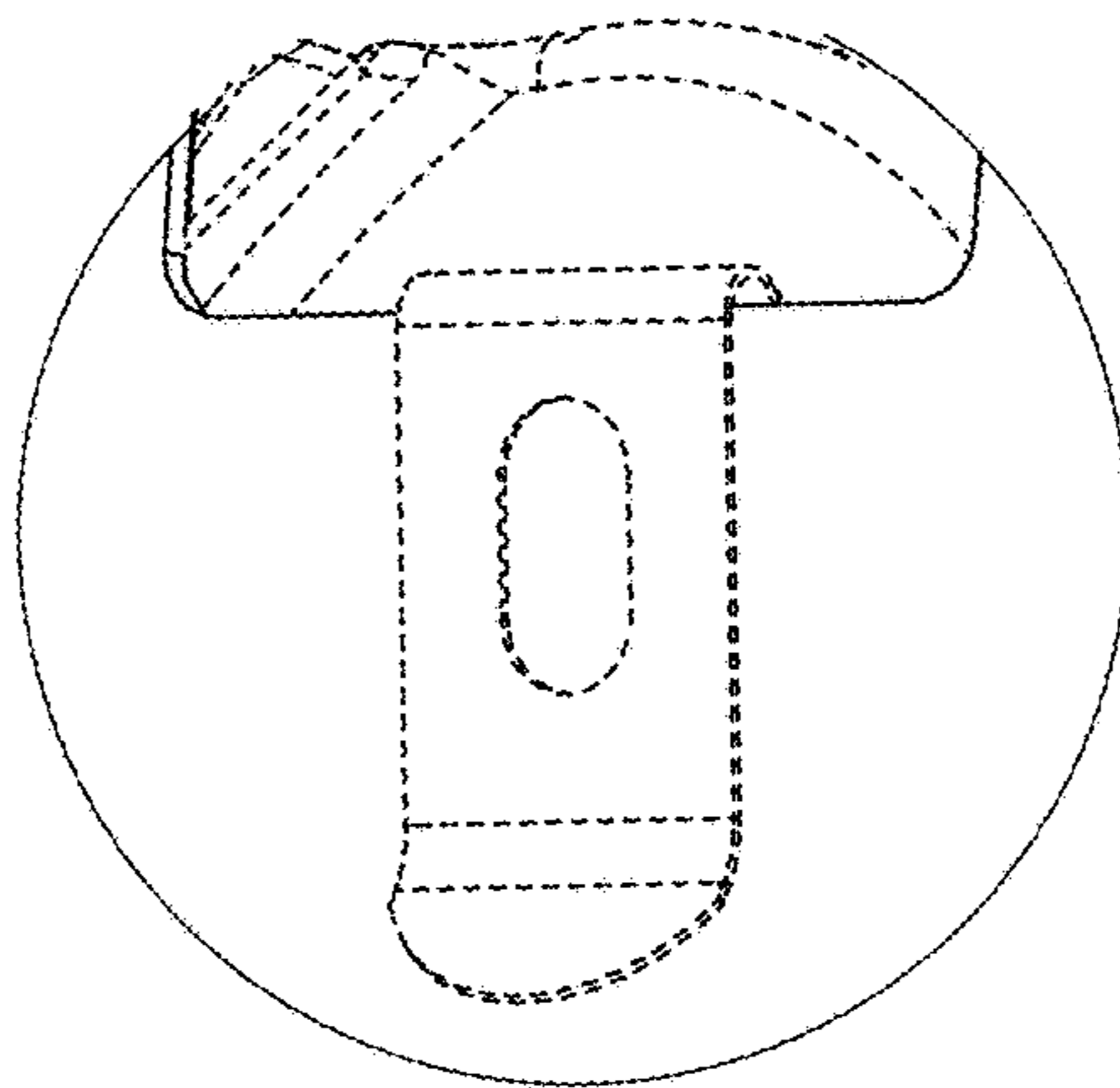


Fig. 16