



US00D832069S

(12) **United States Design Patent**
Nix et al.

(10) **Patent No.:** **US D832,069 S**
(45) **Date of Patent:** **** Oct. 30, 2018**

(54) **POWER TOOL EXTENSION HANDLE APPARATUS**

(71) Applicant: **Uber Nikeo, LLC**, Lake Forest, CA (US)

(72) Inventors: **Brian Paul Nix**, Laguna Niguel, CA (US); **William Paul Seidel**, San Clemente, CA (US)

(73) Assignee: **Uber Nikeo, LLC**, Lake Forest, CA (US)

(**) Term: **15 Years**

(21) Appl. No.: **29/606,943**

(22) Filed: **Jun. 8, 2017**

(51) **LOC (11) Cl.** **08-05**

(52) **U.S. Cl.**
USPC **D8/70**

(58) **Field of Classification Search**
USPC D8/12, 61, 68, 70, 71, 72, 74, 75-77, 80, D8/83, 94, 98, 99, 101, 102, 104, 105, D8/107, 300, 303, 307; D21/568, 756, D21/757; D22/117, 118; D7/393, 395, D7/642, 664
CPC B23D 29/005; B23D 29/02; B25F 3/00; B26B 15/00
See application file for complete search history.

(56) **References Cited**

U.S. PATENT DOCUMENTS

D435,207 S * 12/2000 Nathenson D8/70
D467,484 S * 12/2002 Schoen D8/70
6,558,235 B2 5/2003 Berg et al.
D476,872 S * 7/2003 Wang D8/70

D487,686 S * 3/2004 Milbourne D8/70
D492,177 S * 6/2004 Wright D8/70
D492,178 S * 6/2004 Wright D8/70
D497,530 S * 10/2004 Wu D10/69
D632,943 S * 2/2011 Cabriaes D8/70
D677,545 S * 3/2013 Sell D8/70
D719,806 S * 12/2014 Wiedemann D8/70
9,333,615 B1 5/2016 Johnson
9,463,566 B2 * 10/2016 Yoshikane B25F 5/02
D788,560 S * 6/2017 Fisher D8/107
9,701,032 B2 * 7/2017 Moss B23D 29/005
2003/0096565 A1 5/2003 Dotta
2004/0147209 A1 7/2004 Bickford et al.
2006/0073777 A1 4/2006 Dotta et al.

* cited by examiner

Primary Examiner — Darlington Ly

(74) *Attorney, Agent, or Firm* — Lodestone Legal Group; Jeromye V. Sartain

(57) **CLAIM**

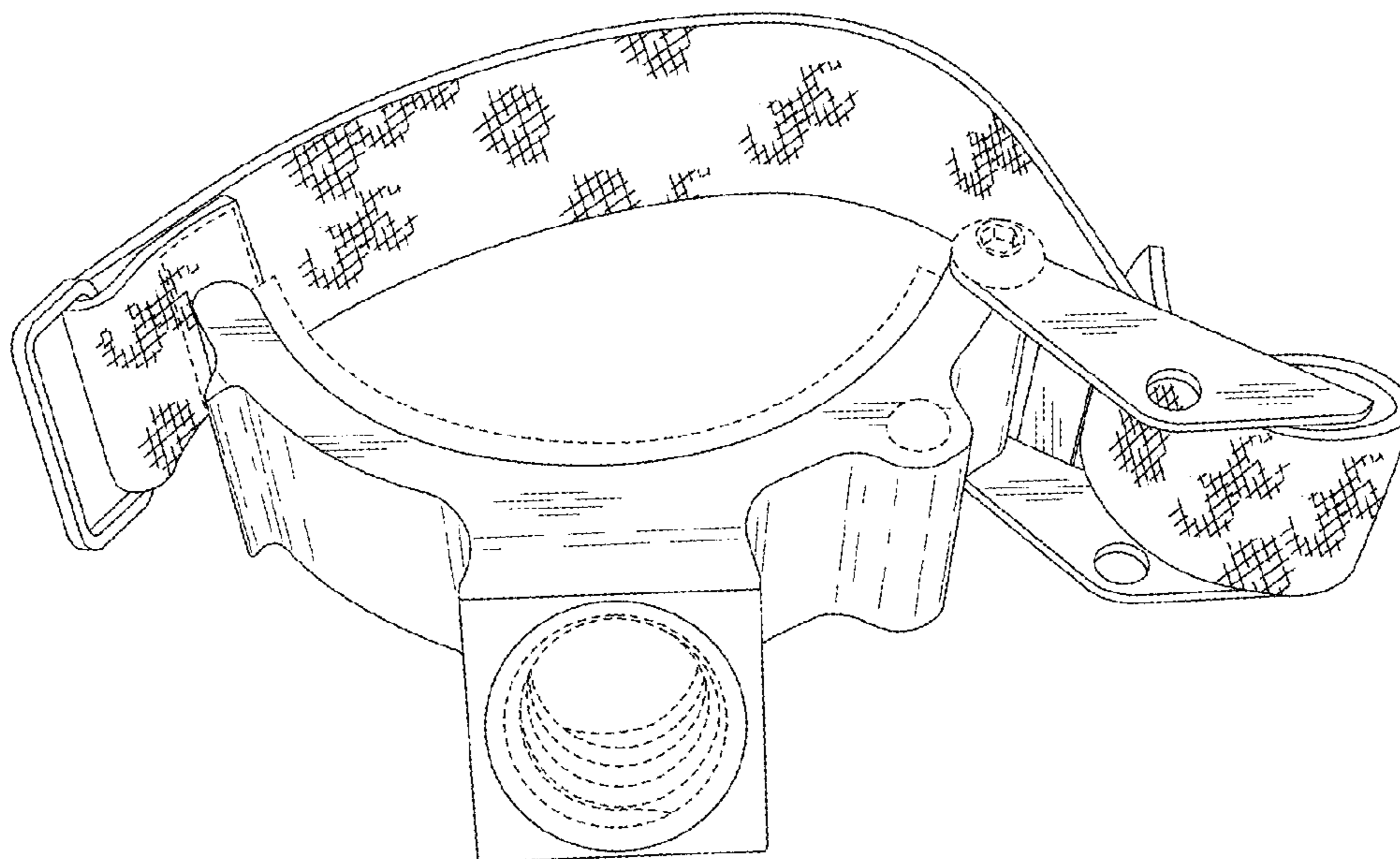
The ornamental design for a power tool extension handle apparatus, as shown and described.

DESCRIPTION

FIG. 1 is a perspective view of a power tool extension handle apparatus showing our new design;
FIG. 2 is a front elevation view thereof;
FIG. 3 is a rear elevation view thereof;
FIG. 4 is a left side elevation view thereof;
FIG. 5 is a right side elevation view thereof;
FIG. 6 is a top plan view thereof; and,
FIG. 7 is a bottom plan view thereof.

The broken lines in the drawings illustrate portions of the power tool extension handle apparatus that form no part of the claimed design.

1 Claim, 3 Drawing Sheets



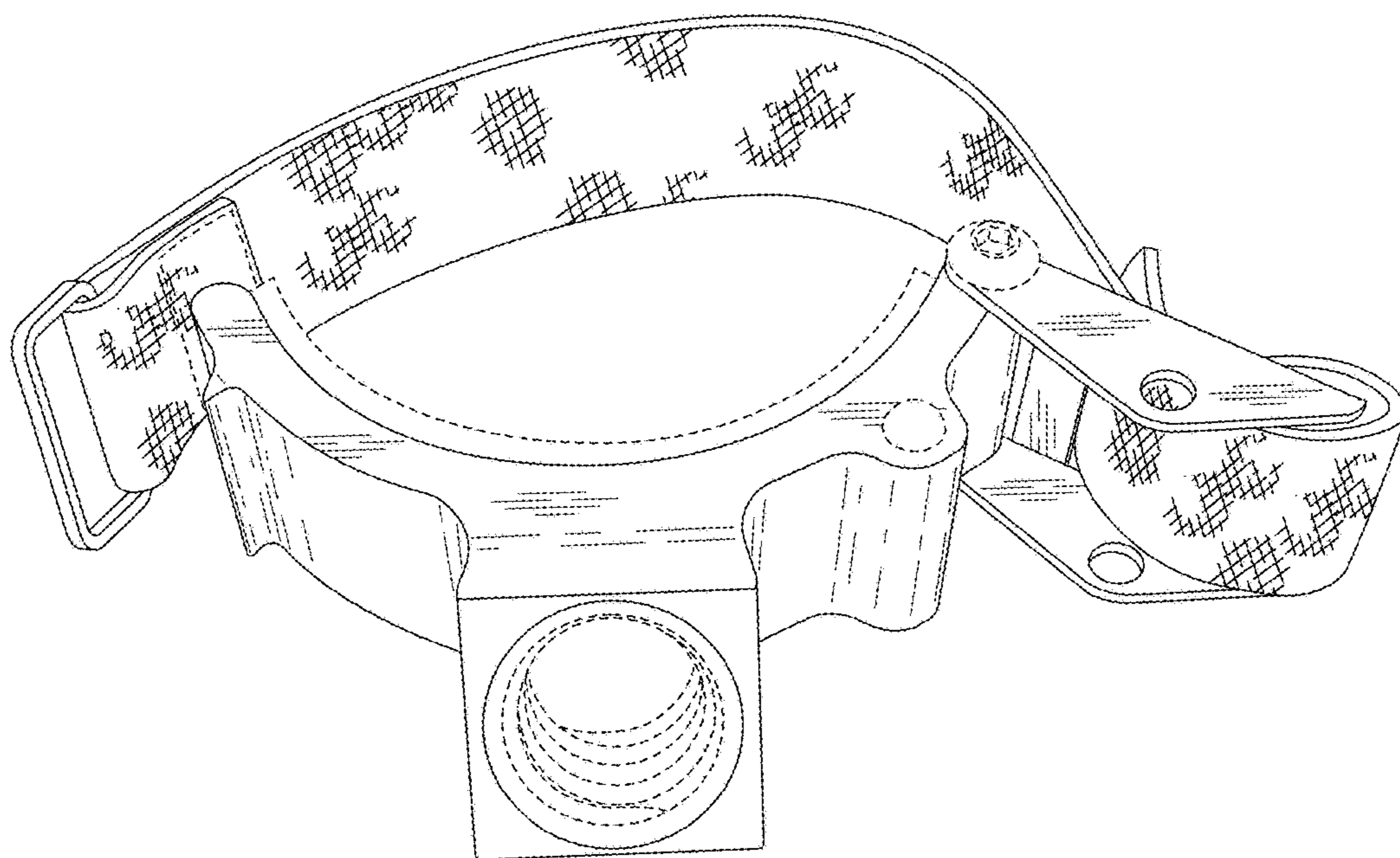


Fig. 1

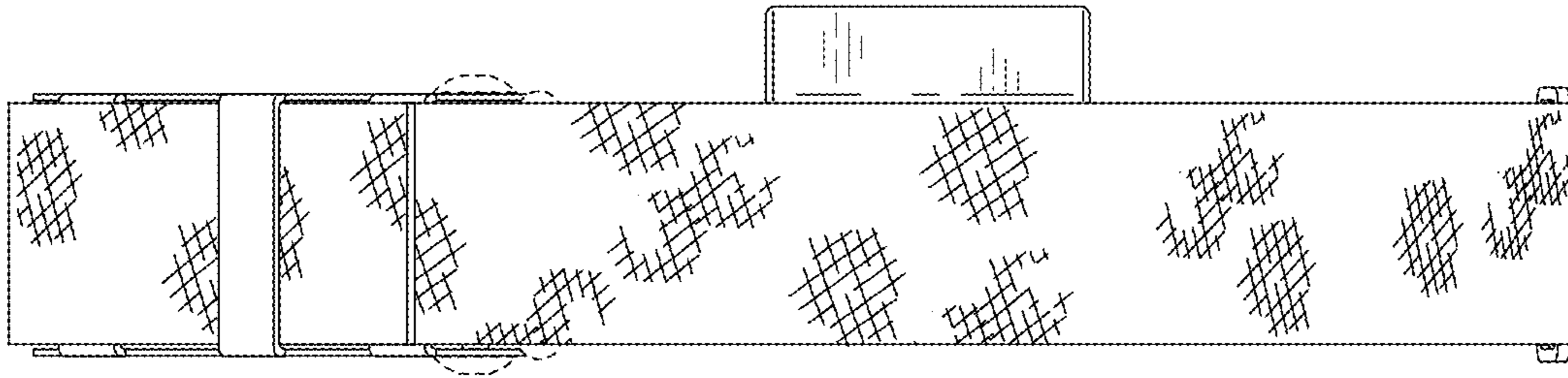


Fig. 2

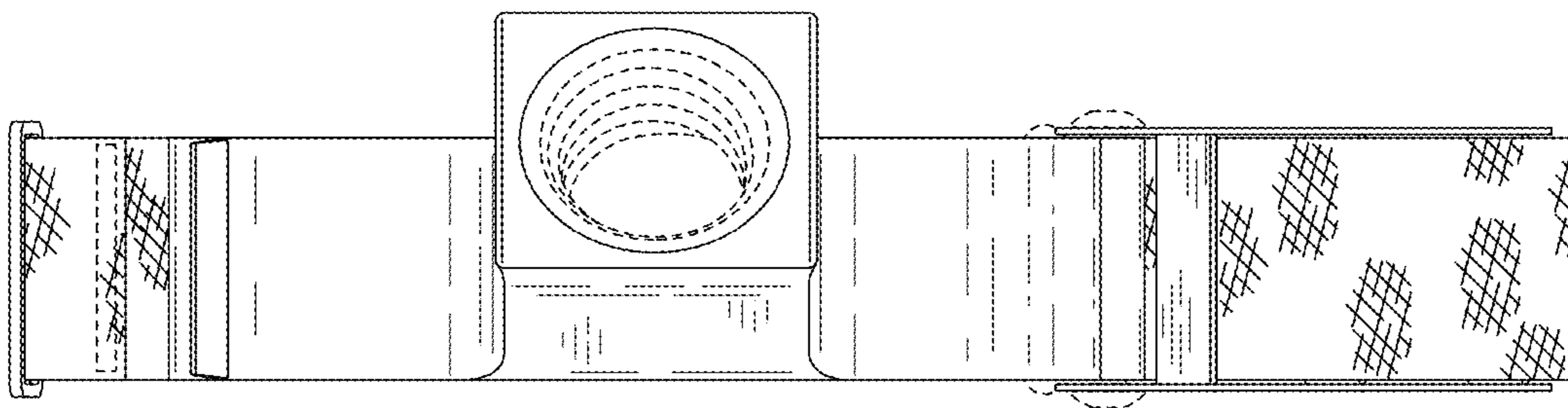


Fig. 3

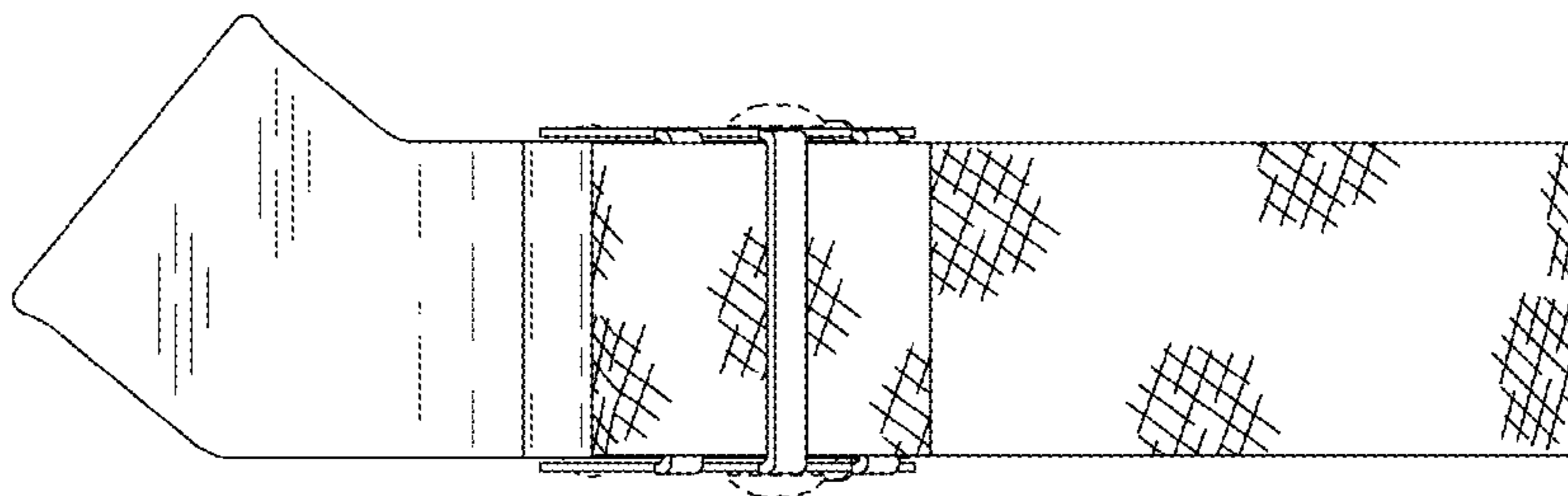


Fig. 4

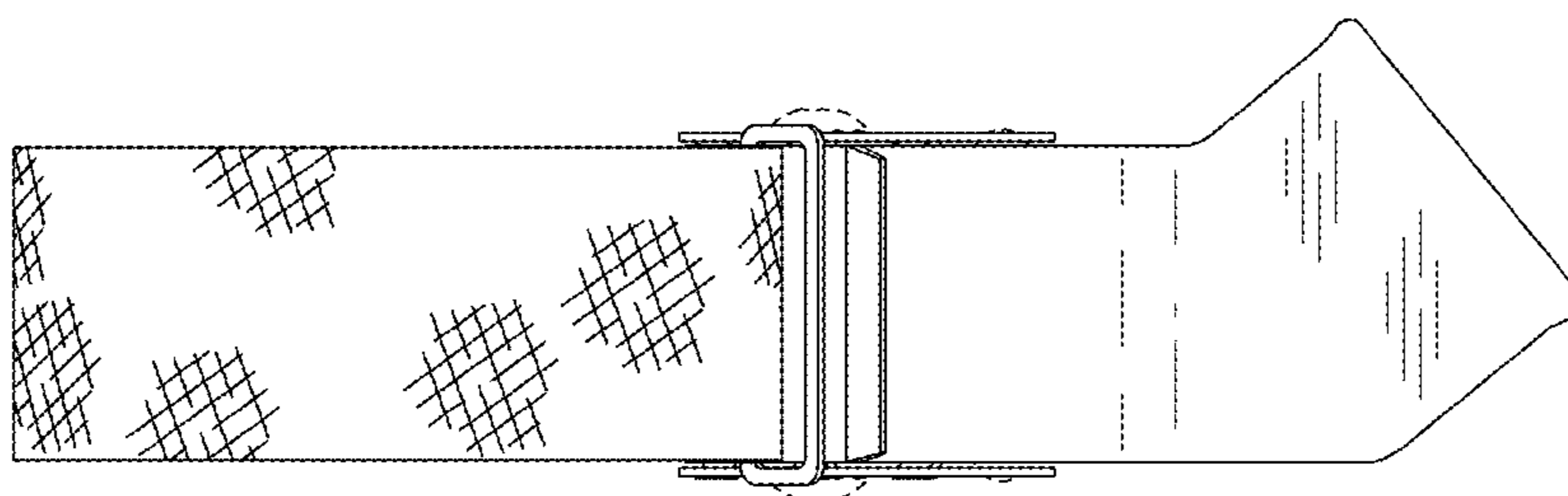


Fig. 5

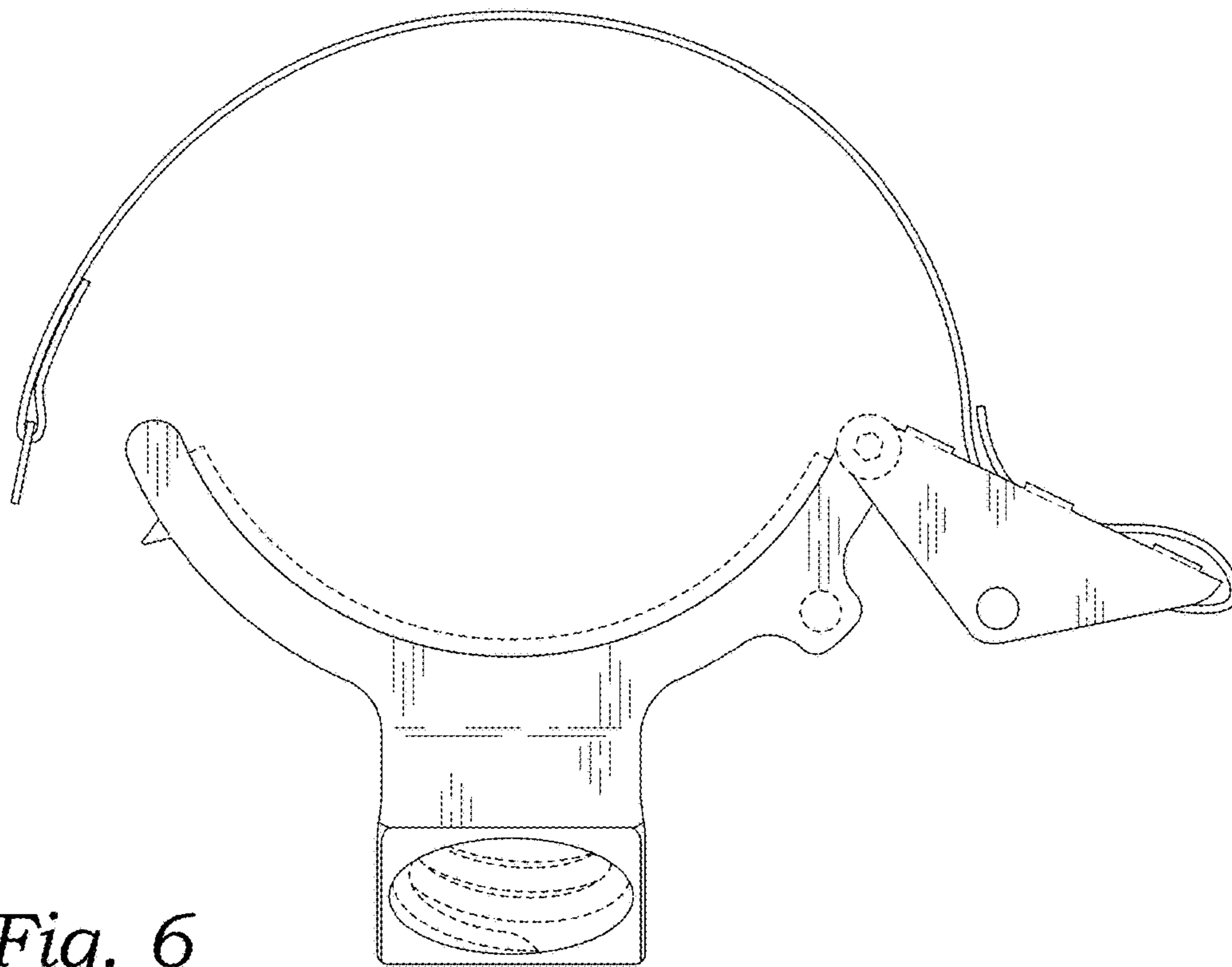


Fig. 6

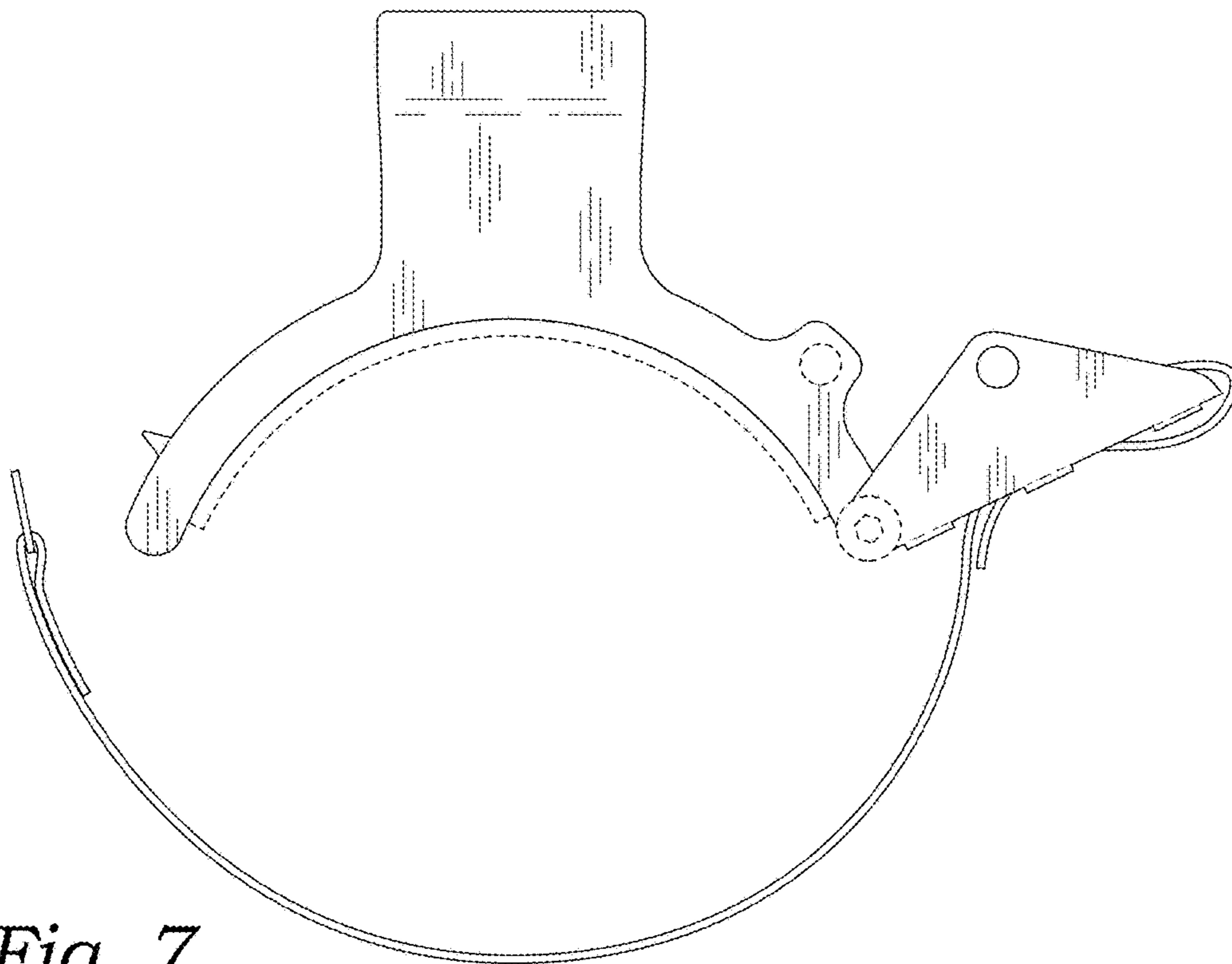


Fig. 7