

US00D832068S

(12) **United States Design Patent**  
**Liu**

(10) **Patent No.:** **US D832,068 S**  
(45) **Date of Patent:** **\*\* Oct. 30, 2018**

- (54) **SOCKET**
- (71) Applicant: **Chao-Chih Liu**, Taichung (TW)
- (72) Inventor: **Chao-Chih Liu**, Taichung (TW)
- (\*\*) Term: **15 Years**
- (21) Appl. No.: **29/618,201**
- (22) Filed: **Sep. 20, 2017**
- (51) **LOC (11) Cl.** ..... **08-05**
- (52) **U.S. Cl.**  
USPC ..... **D8/29**
- (58) **Field of Classification Search**  
USPC ..... D8/29; 81/60, 177.1, 177.85, 121.1,  
81/124.3, 165-170, 110.1, 176.2, 124.6,  
81/176.1, 176.15, 177.2, 186; 16/110.1  
CPC ..... B25B 13/06; B25B 13/065  
See application file for complete search history.

D731,271 S \* 6/2015 Su ..... D8/29  
9,144,893 B2 \* 9/2015 Su ..... B25B 13/06

\* cited by examiner

*Primary Examiner* — Randall H Gholson

(57) **CLAIM**

The ornamental design for a socket, as shown and described.

**DESCRIPTION**

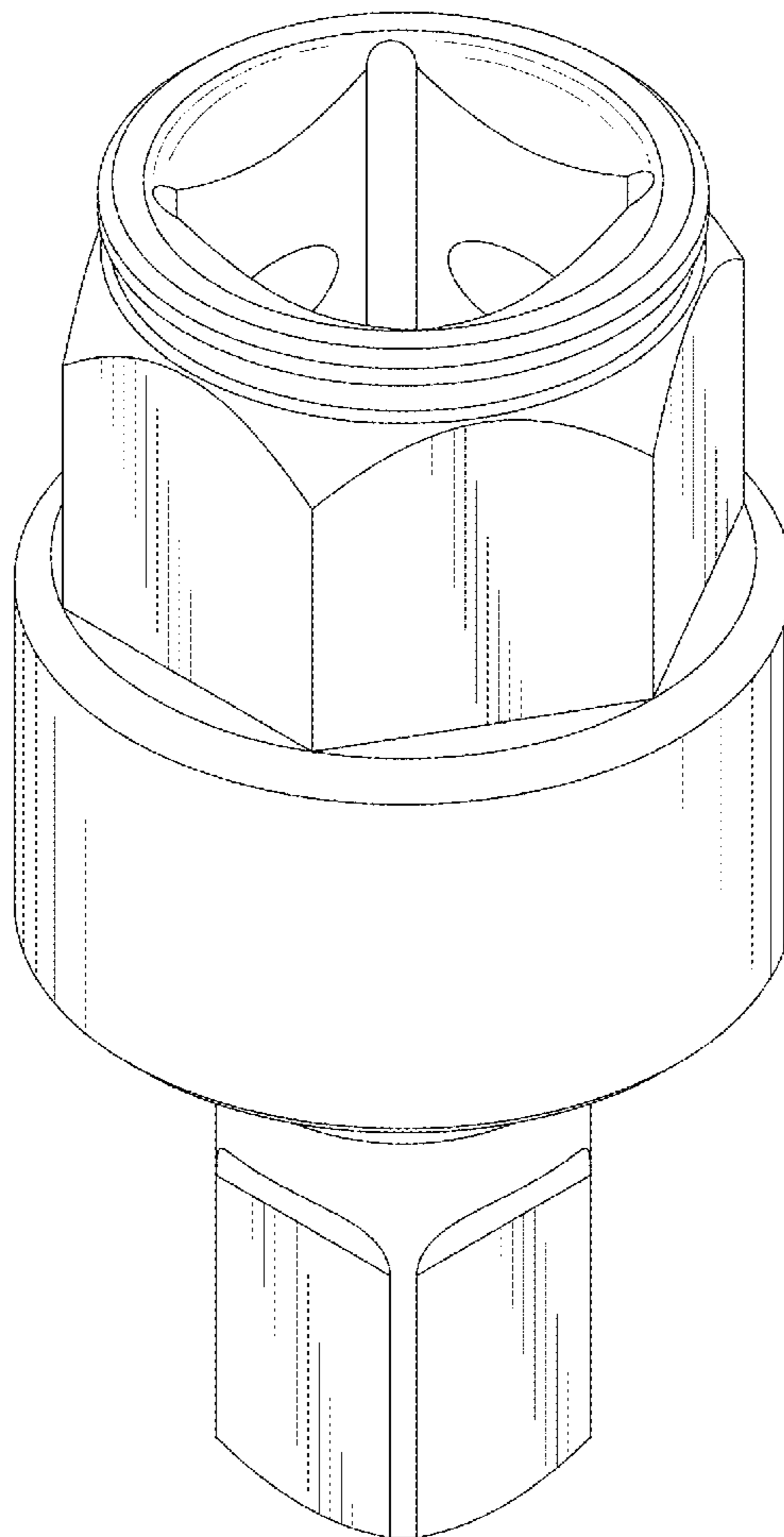
FIG. 1 is a front-right-top perspective view of the socket showing my new design;  
FIG. 2 is a front elevational view thereof;  
FIG. 3 is a rear front elevational view thereof;  
FIG. 4 is a left side elevational view thereof;  
FIG. 5 is a right side elevational view thereof;  
FIG. 6 is a top plan view thereof;  
FIG. 7 is a bottom plan view thereof;  
FIG. 8 is a front-right-bottom perspective view thereof; and,  
FIG. 9 is a cross-sectional view taken from lines 9-9 in FIG. 6.

(56) **References Cited**

**U.S. PATENT DOCUMENTS**

D528,395 S \* 9/2006 Schluter ..... D8/86

**1 Claim, 9 Drawing Sheets**



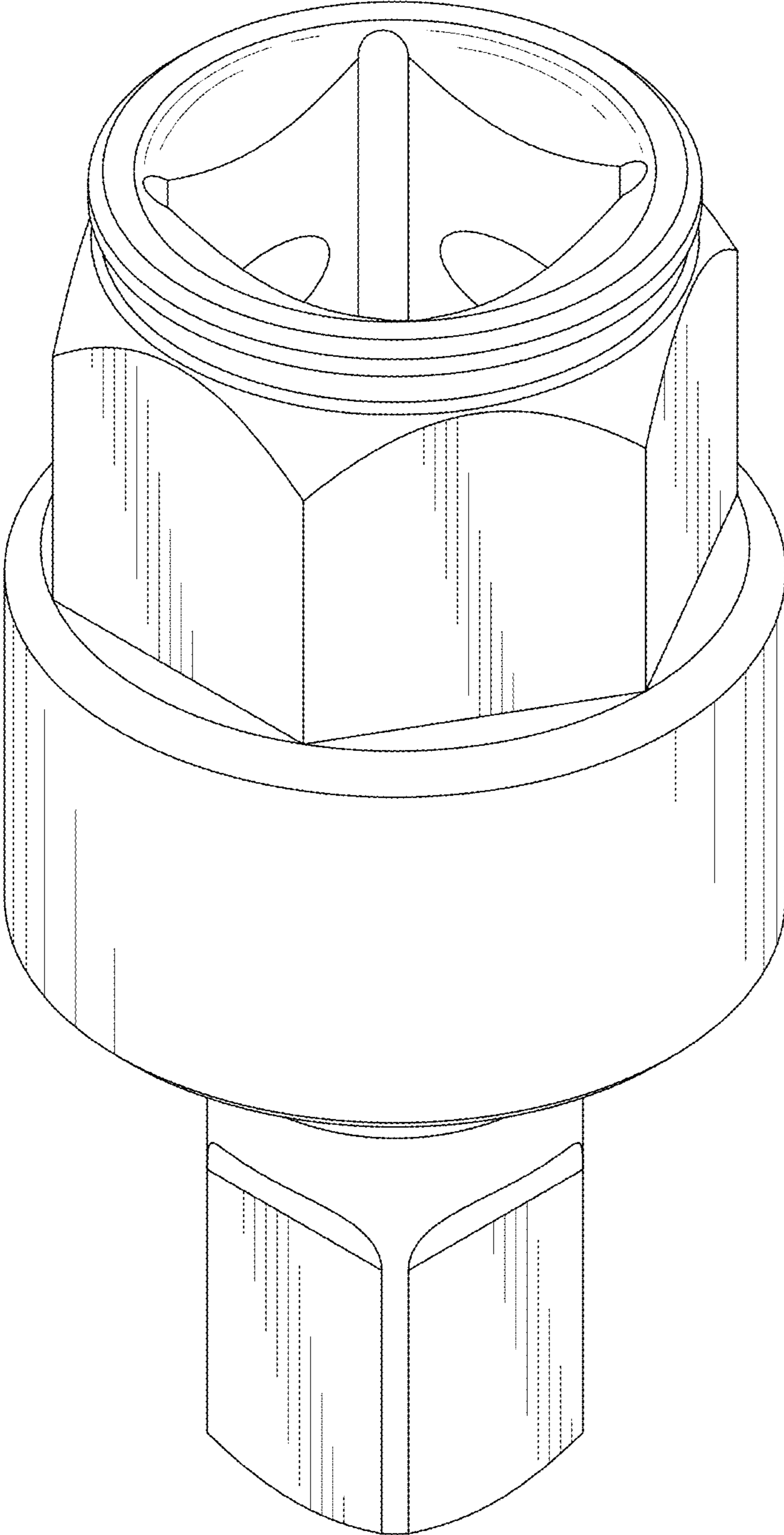


FIG.1

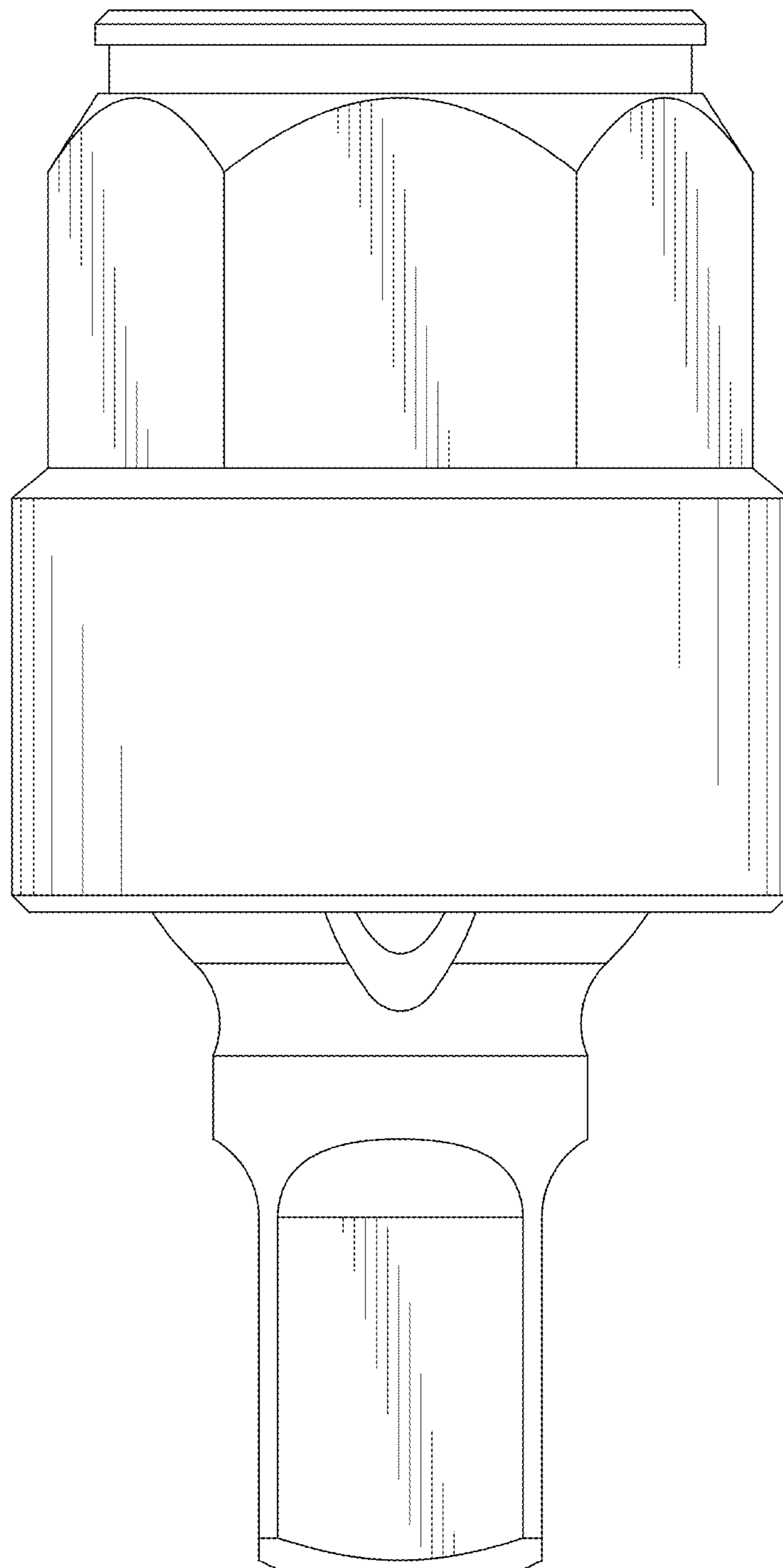


FIG.2

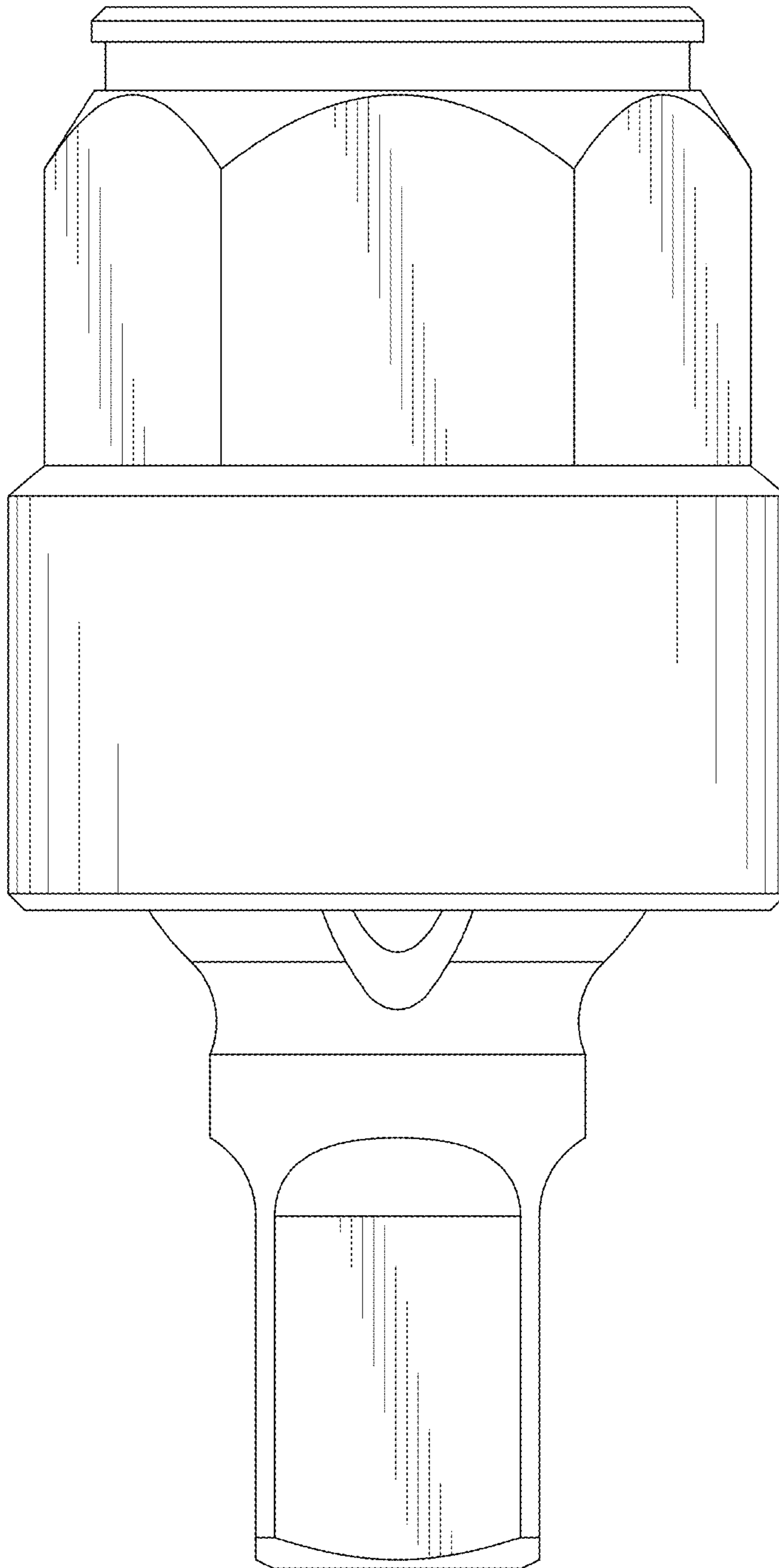


FIG.3

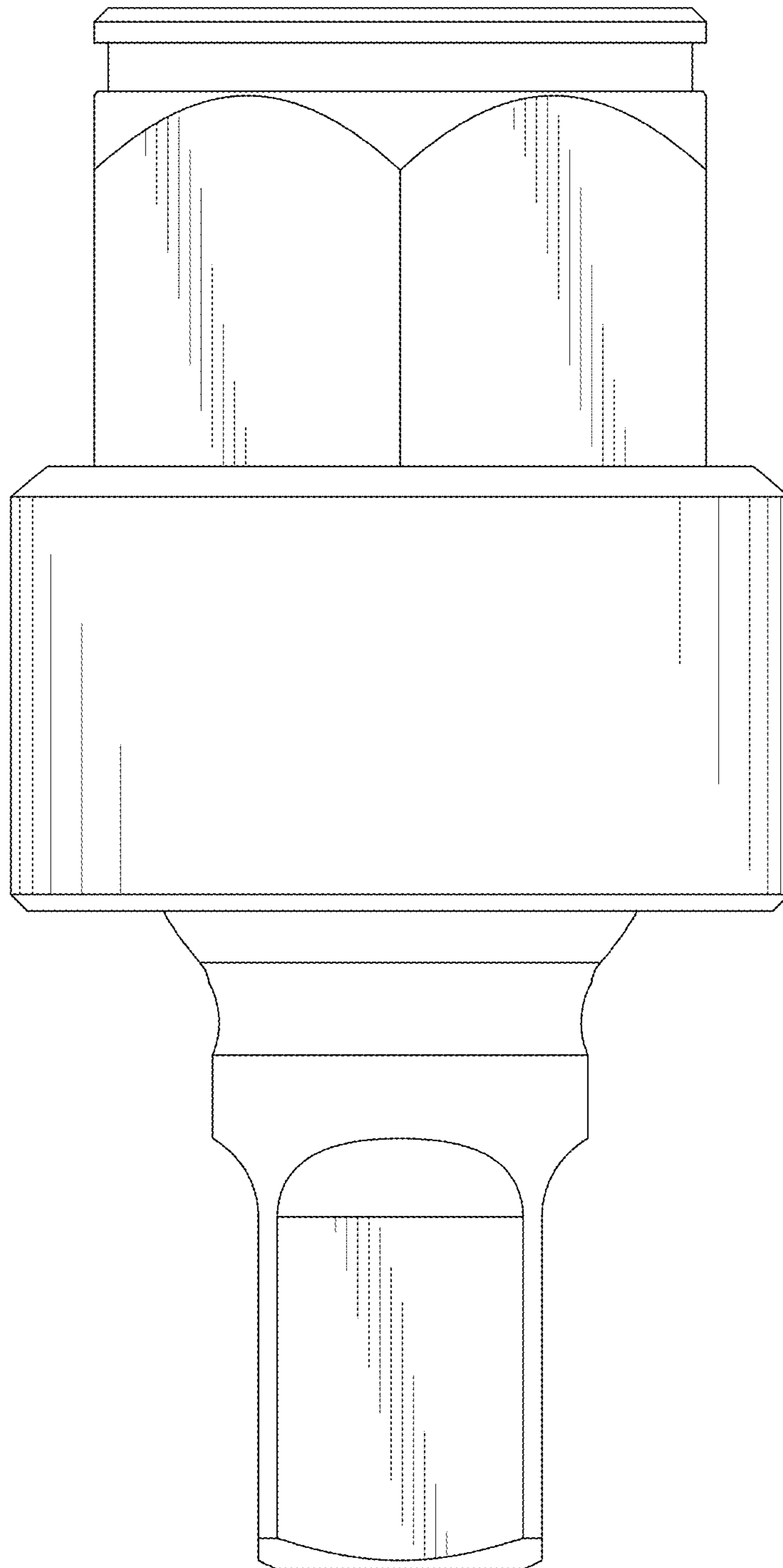


FIG.4

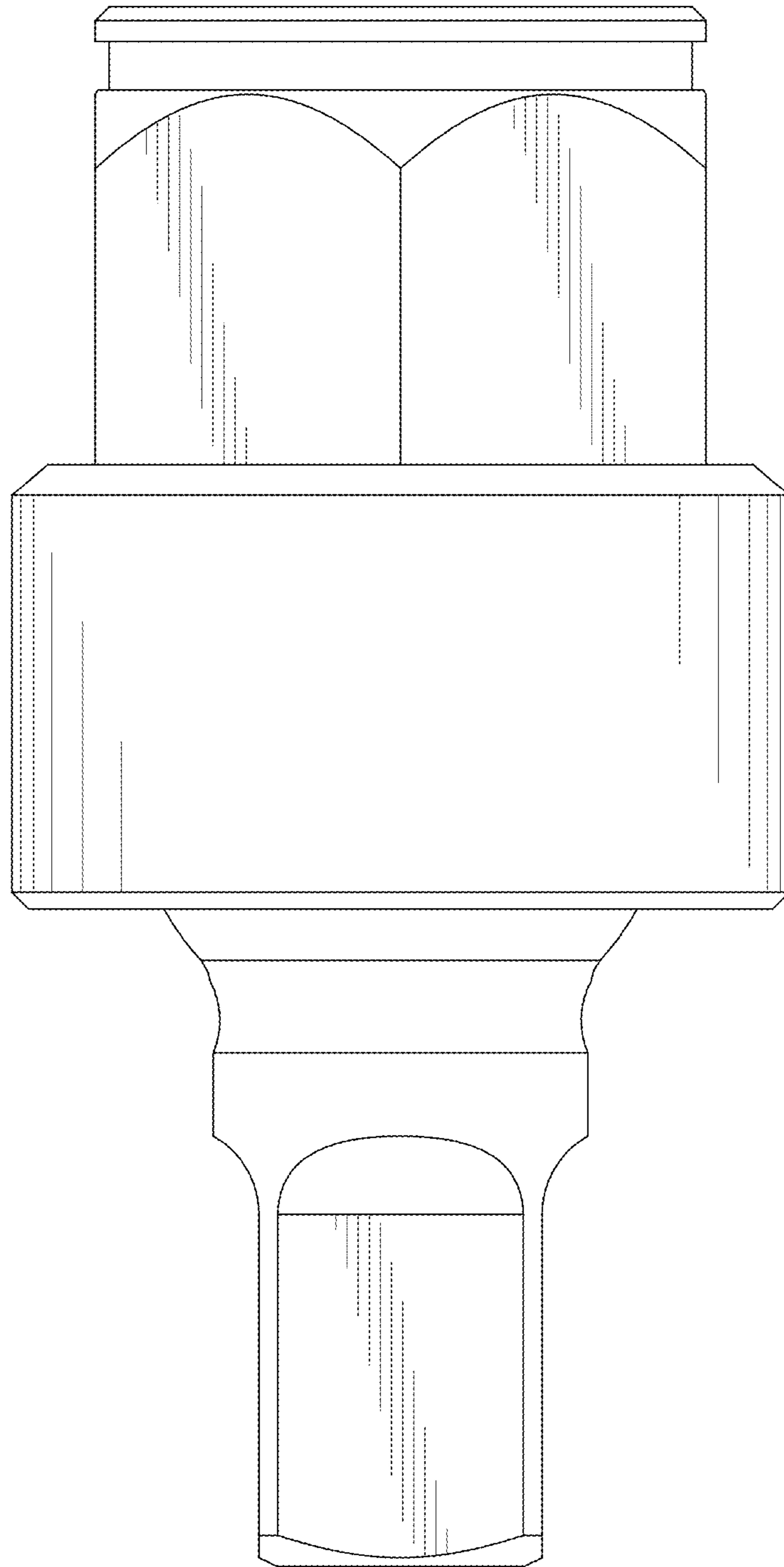


FIG.5

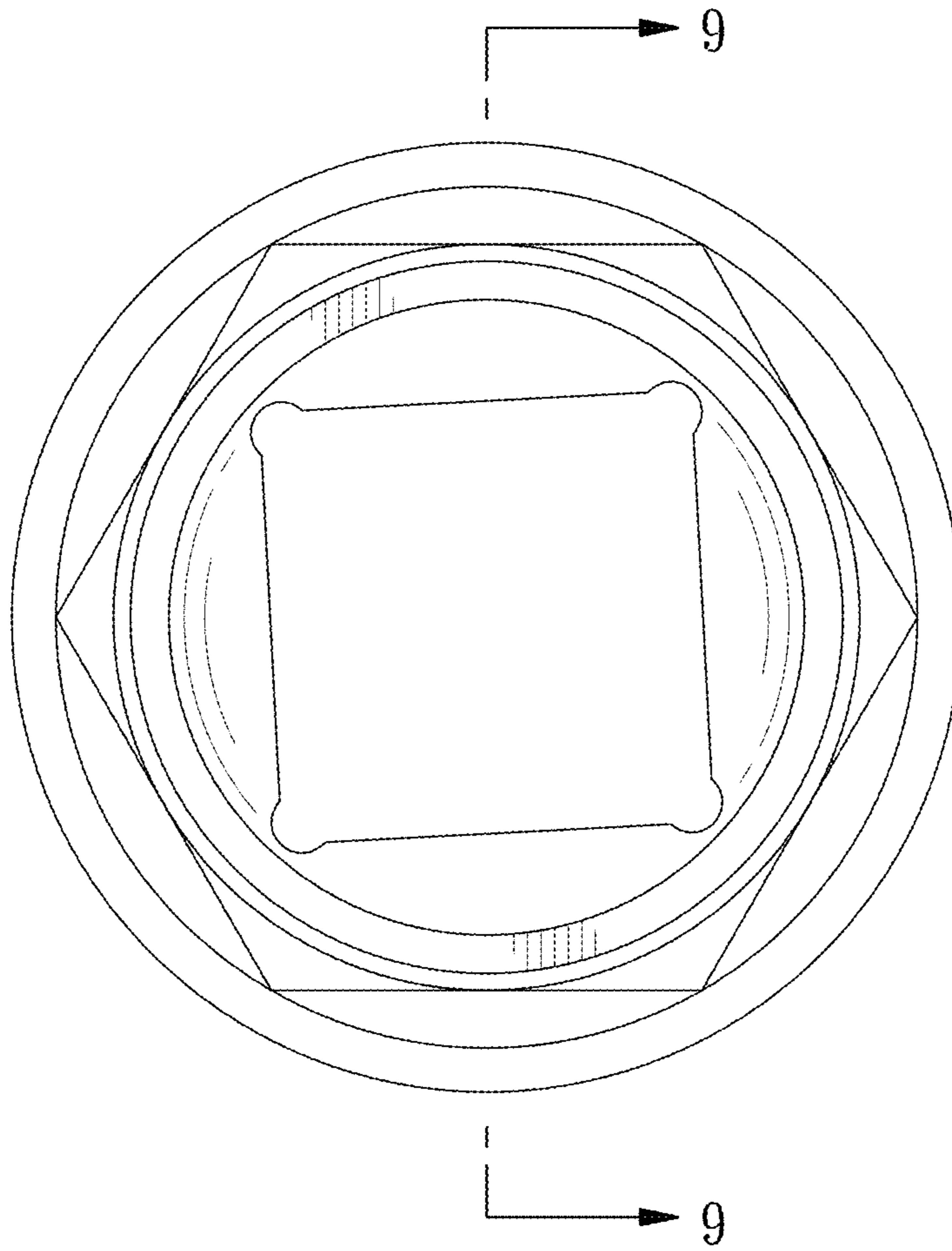


FIG.6

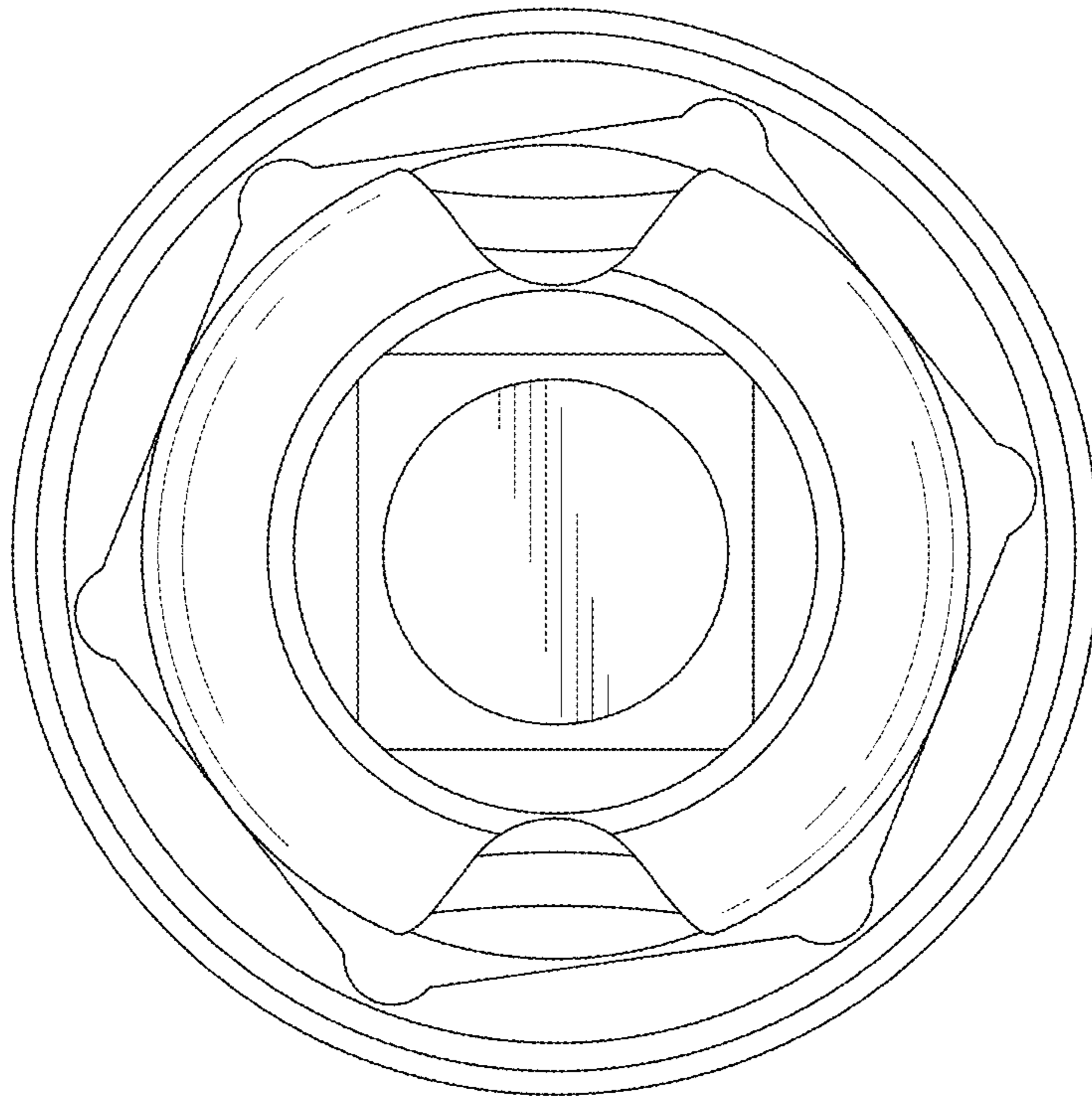


FIG.7



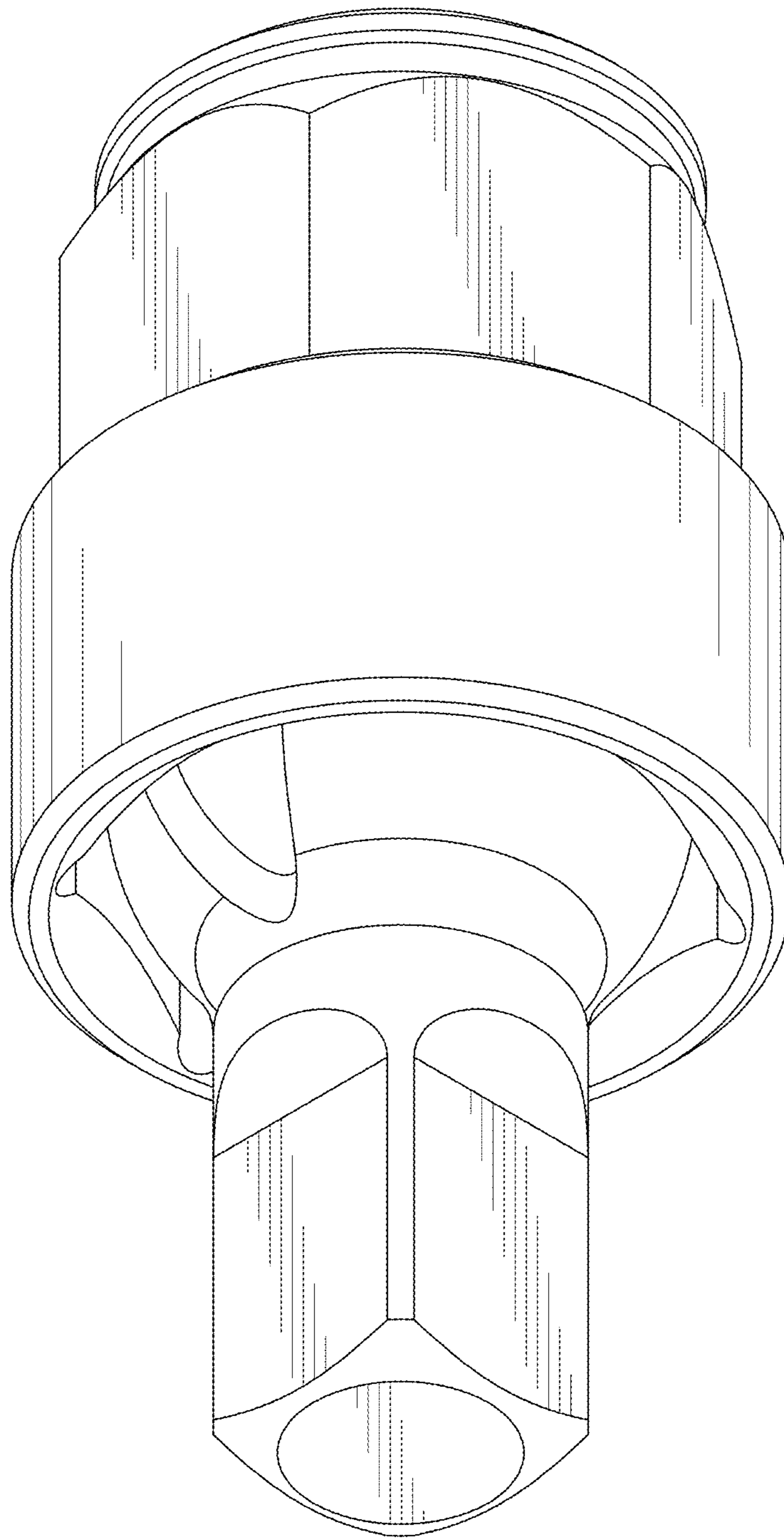


FIG.8

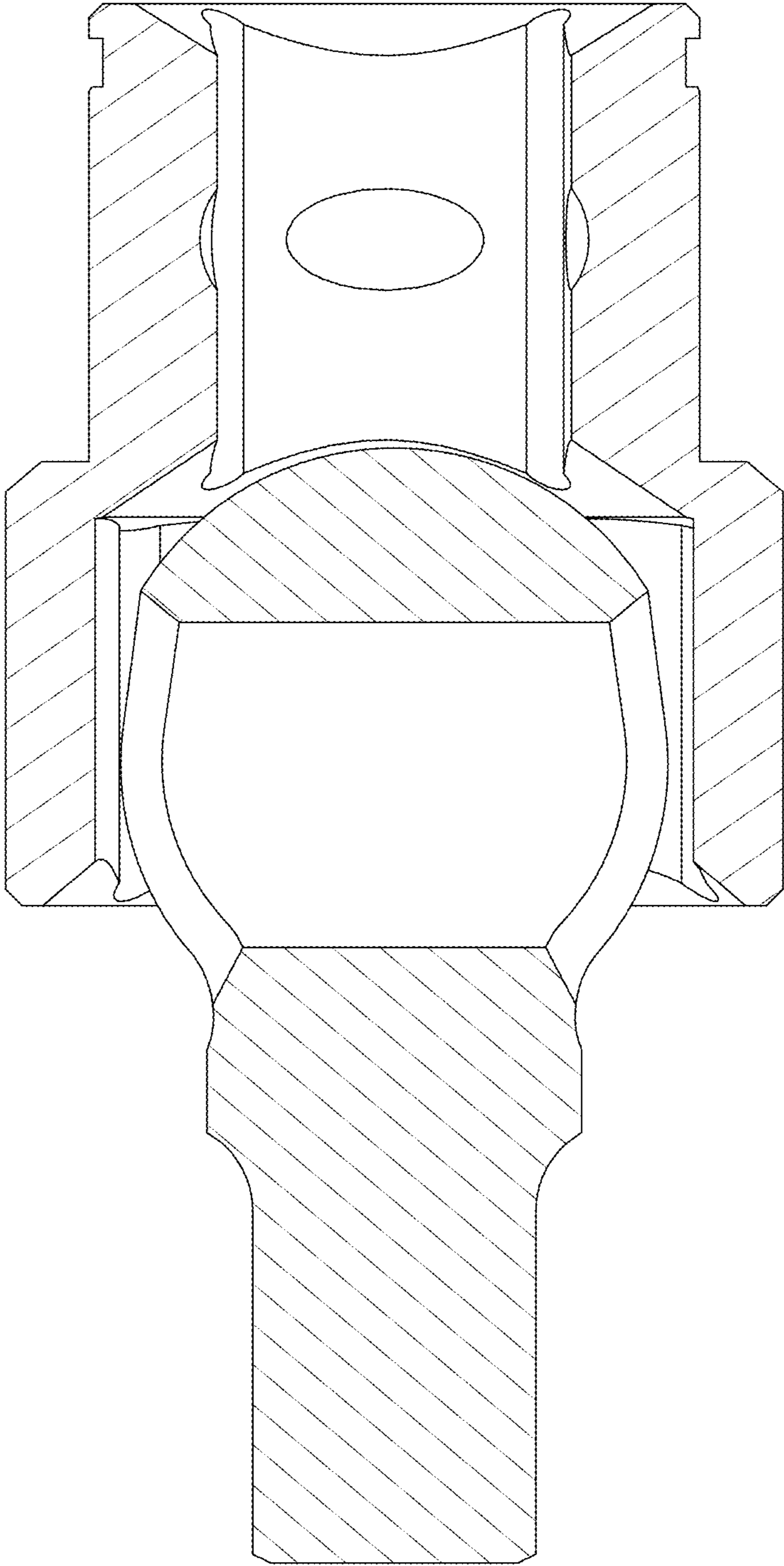


FIG.9