



US00D832067S

(12) **United States Design Patent** (10) **Patent No.:** **US D832,067 S**
Quinn (45) **Date of Patent:** **** Oct. 30, 2018**

(54) **UTILITY KNIFE BLADE**
(71) Applicant: **IDL TechniEdge LLC**, Kenilworth, NJ (US)
(72) Inventor: **Kevin James Quinn**, Westfield, NJ (US)
(73) Assignee: **IDL TechniEdge LLC**, Kenilworth, NJ (US)
(**) Term: **15 Years**
(21) Appl. No.: **29/600,585**
(22) Filed: **Apr. 13, 2017**
(51) **LOC (11) Cl.** **08-03**
(52) **U.S. Cl.**
USPC **D8/20**
(58) **Field of Classification Search**
USPC D8/19, 20, 70, 98, 99, 100, 101; D15/133, 134, 139
CPC B23D 61/12; B23D 61/121; B23D 61/123; B23D 61/126; B23D 49/14; D26B 9/00; D26B 9/02
See application file for complete search history.

6,324,762 B1 * 12/2001 Huang B26B 11/00 30/125
D455,057 S * 4/2002 Medhurst D8/20
D459,188 S * 6/2002 Gardiner D8/99
6,823,593 B2 * 11/2004 Dunn-Rankin B26B 9/02 30/346.56
7,178,244 B2 * 2/2007 Fossella B26B 5/00 30/162
D568,126 S * 5/2008 Allem D8/20
D582,229 S * 12/2008 Johnson D8/20
D602,752 S * 10/2009 Luciano, Jr. D8/20
D608,168 S * 1/2010 Green D8/20
D617,161 S * 6/2010 Tom D8/20
D617,162 S * 6/2010 Tom D8/20
D619,865 S * 7/2010 Boehler D8/20
7,921,568 B2 * 4/2011 Green B26B 9/00 30/346.52

(Continued)

OTHER PUBLICATIONS

5 PC Serrated Utility Blade. (n.d.). Retrieved Dec. 8, 2016, from http://olympiatools.com/product_info.php?cPath=22&products_id=4878&osCsid=7078e93c4e00b015f5d75939d407dca4.

Primary Examiner — Elizabeth A. Albert
(74) *Attorney, Agent, or Firm* — Adan Ayala; Gabriel A. Haboubi

CLAIM

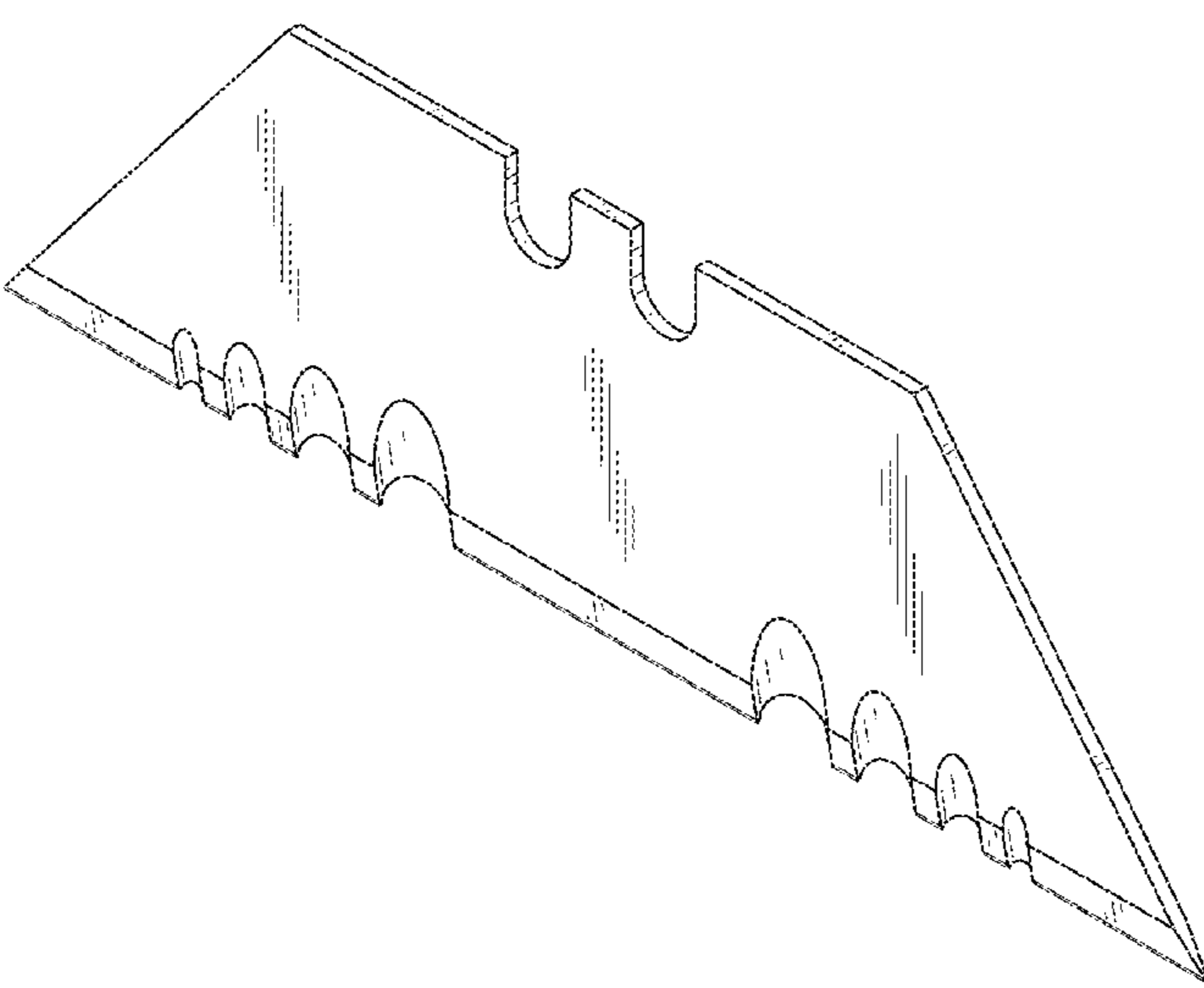
(57) The ornamental design for a utility knife blade, as shown and described.

DESCRIPTION

FIG. 1 is a front perspective view of the utility knife blade showing my new design;
FIG. 2 is a front elevation view thereof;
FIG. 3 is a left side elevation view thereof, the right side elevation view being an identical image thereof;
FIG. 4 is a top plan view thereof; and,
FIG. 5 is a bottom plan view thereof.

1 Claim, 3 Drawing Sheets

(56) **References Cited**
U.S. PATENT DOCUMENTS
5,337,482 A * 8/1994 Schmidt B26B 9/00 30/162
5,581,890 A * 12/1996 Schmidt B26B 5/003 30/162
D400,412 S * 11/1998 Gold D8/20
5,862,596 A * 1/1999 Chung B26B 5/001 30/162
5,909,930 A * 6/1999 Ragland, III B26B 5/001 30/125
6,000,136 A * 12/1999 Owens B26B 5/001 30/125
D435,420 S * 12/2000 Ayoob D8/99



(56)

References Cited

U.S. PATENT DOCUMENTS

8,069,569	B2 *	12/2011	Brown	B26B 5/001 30/125
8,161,654	B2 *	4/2012	Green	B26B 9/00 30/346.52
D660,107	S *	5/2012	Green	D8/20
D699,090	S *	2/2014	Kalajyan	D8/99
9,550,302	B2 *	1/2017	Spaulding	B26B 5/001
9,662,796	B2 *	5/2017	Scimone	B26B 21/56
2004/0187314	A1 *	9/2004	Johnson	B26B 5/00 30/162

* cited by examiner

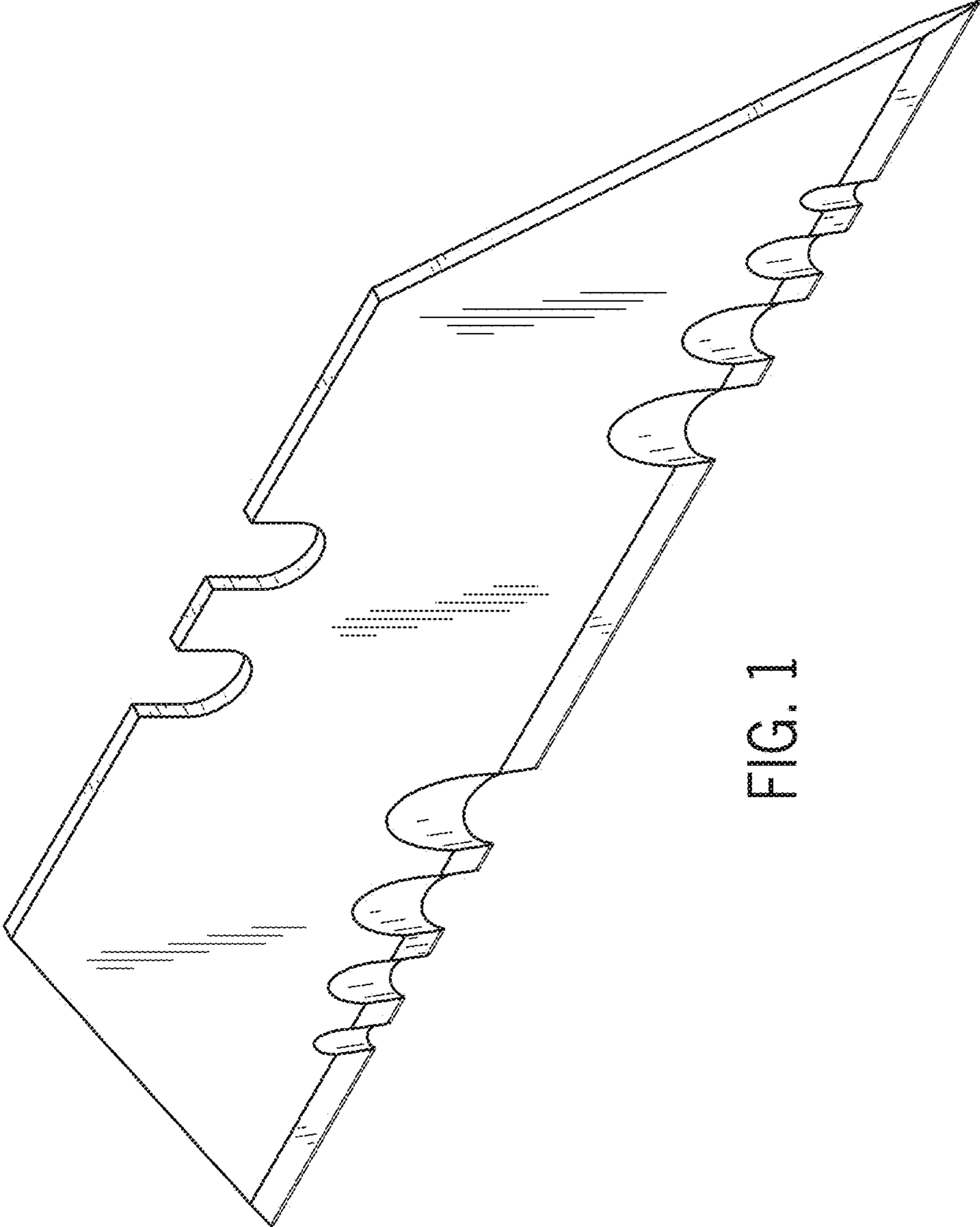


FIG. 1

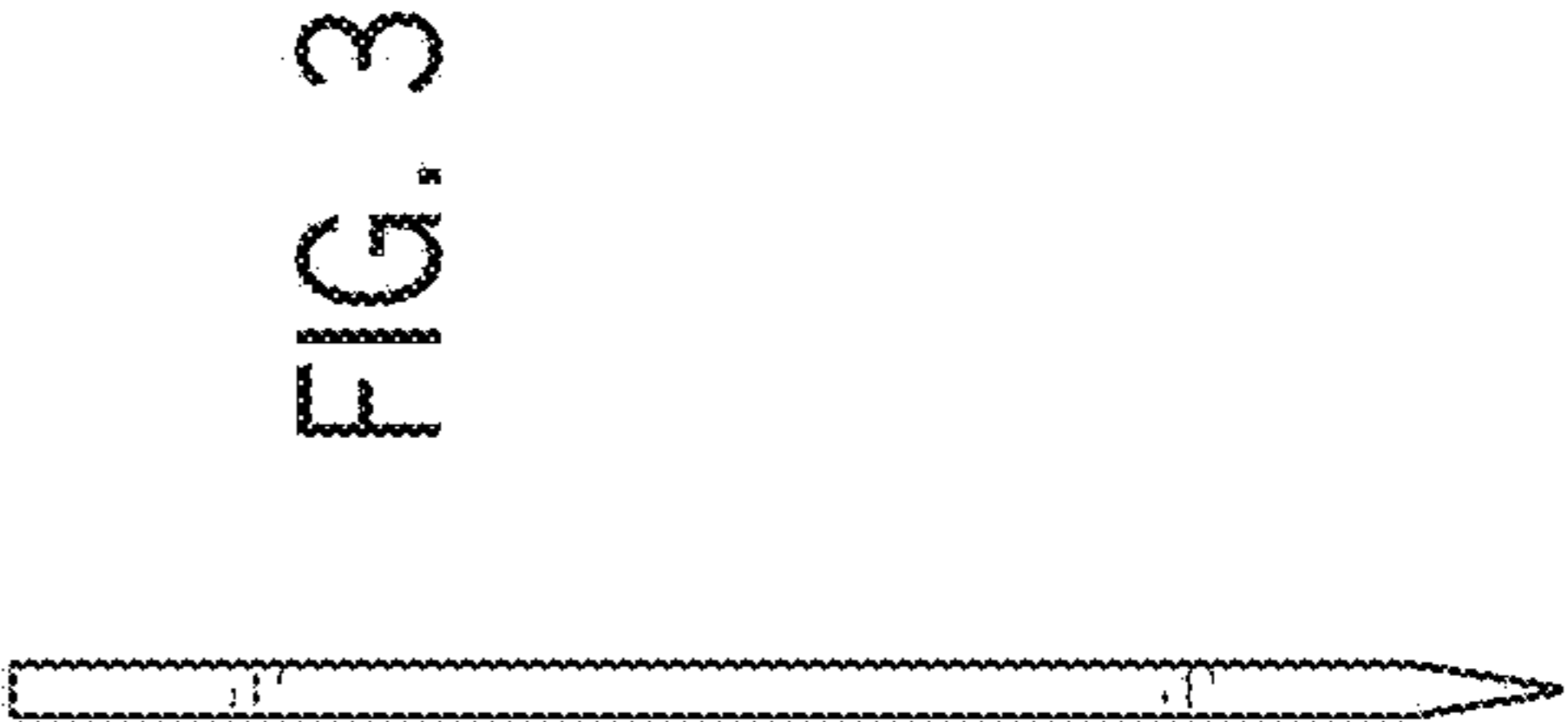
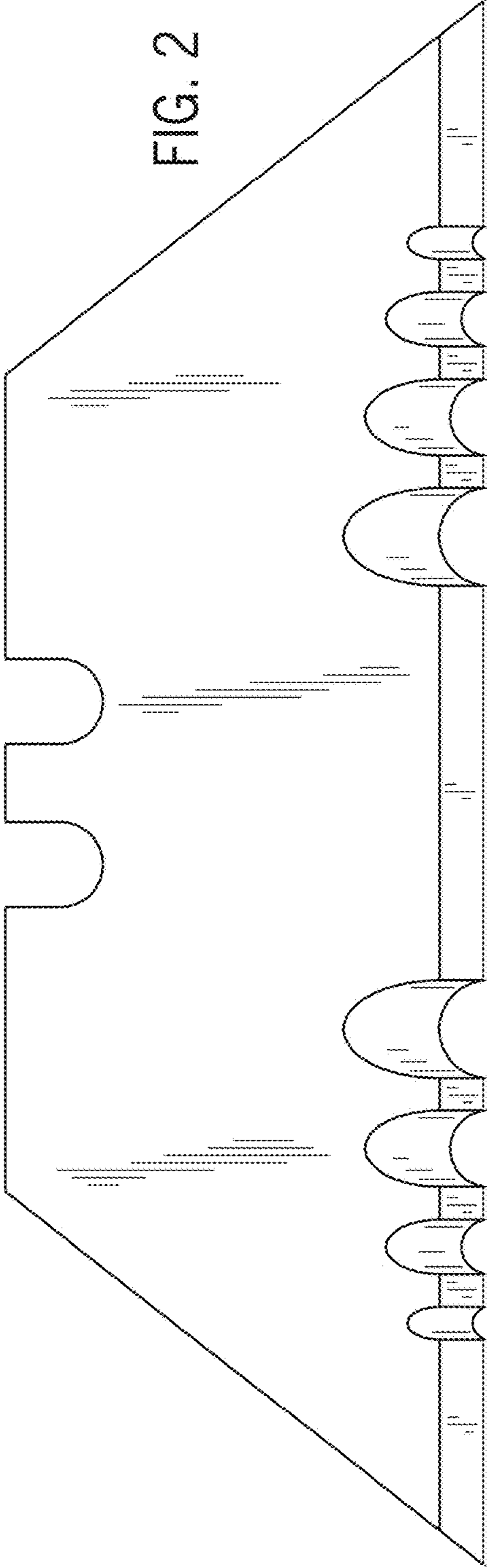




FIG. 4

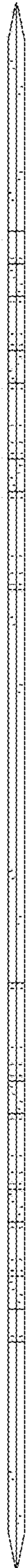


FIG. 5