



US00D832065S

(12) **United States Design Patent**
Kinney et al.

(10) **Patent No.:** **US D832,065 S**
(45) **Date of Patent:** **** Oct. 30, 2018**

(54) **PORTABLE HANDHELD BEVERAGE RACK**

DESCRIPTION

(71) Applicants: **William Jeffery Kinney**, Dallas, TX (US); **Michelle Lou Meyer**, Dallas, TX (US)

(72) Inventors: **William Jeffery Kinney**, Dallas, TX (US); **Michelle Lou Meyer**, Dallas, TX (US)

(**) Term: **15 Years**

(21) Appl. No.: **29/603,560**

(22) Filed: **May 10, 2017**

(51) **LOC (11) Cl.** **07-06**

(52) **U.S. Cl.**
USPC **D7/706**

(58) **Field of Classification Search**
USPC D7/701-706; D3/315; D9/751-753
CPC A45F 5/10; A47G 23/0208; A47G 23/02;
B65D 71/50; B65D 71/02; B65D 71/70;
B60N 3/102; A47B 73/004; A47B 73/002
See application file for complete search history.

(56) **References Cited**

U.S. PATENT DOCUMENTS

D160,690 S * 10/1950 Carlson D7/549
2,616,751 A * 11/1952 Goldenberg B65D 71/50
211/74
2,637,475 A * 5/1953 Gialanella B65D 71/50
24/288
2,647,786 A * 8/1953 Locke B65D 71/50
211/75

(Continued)

Primary Examiner — Terry A Wallace

(74) *Attorney, Agent, or Firm* — Andrew W. Chu; Craft Chu PLLC

(57) **CLAIM**

The ornamental design for a portable handheld beverage rack, as shown and described.

FIG. 1 is an upper perspective view of the portable handheld beverage rack showing my design with text in broken lines as environment.

FIG. 2 is a front elevation view thereof with text in broken lines as environment;

FIG. 3 is a back elevation view thereof with text in broken lines as environment;

FIG. 4 is a side elevation view thereof;

FIG. 5 is an opposite side elevation view thereof;

FIG. 6 is a top plan view thereof;

FIG. 7 is a bottom plan view thereof;

FIG. 8 is a side perspective view thereof, showing beverages and text in broken lines as environment;

FIG. 9 is an upper perspective view thereof, showing lighting accessories, such as a button and light emitting diode with text, in broken lines as environment.

FIG. 10 is a front elevation view of the embodiment of FIG. 9 with the lighting accessories and text in broken lines as environment;

FIG. 11 is an upper perspective view thereof, showing an extra rack attachment in broken lines as environment;

FIG. 12 is a front elevation view of the embodiment of FIG. 11 with the extra rack attachment and text in broken lines as environment;

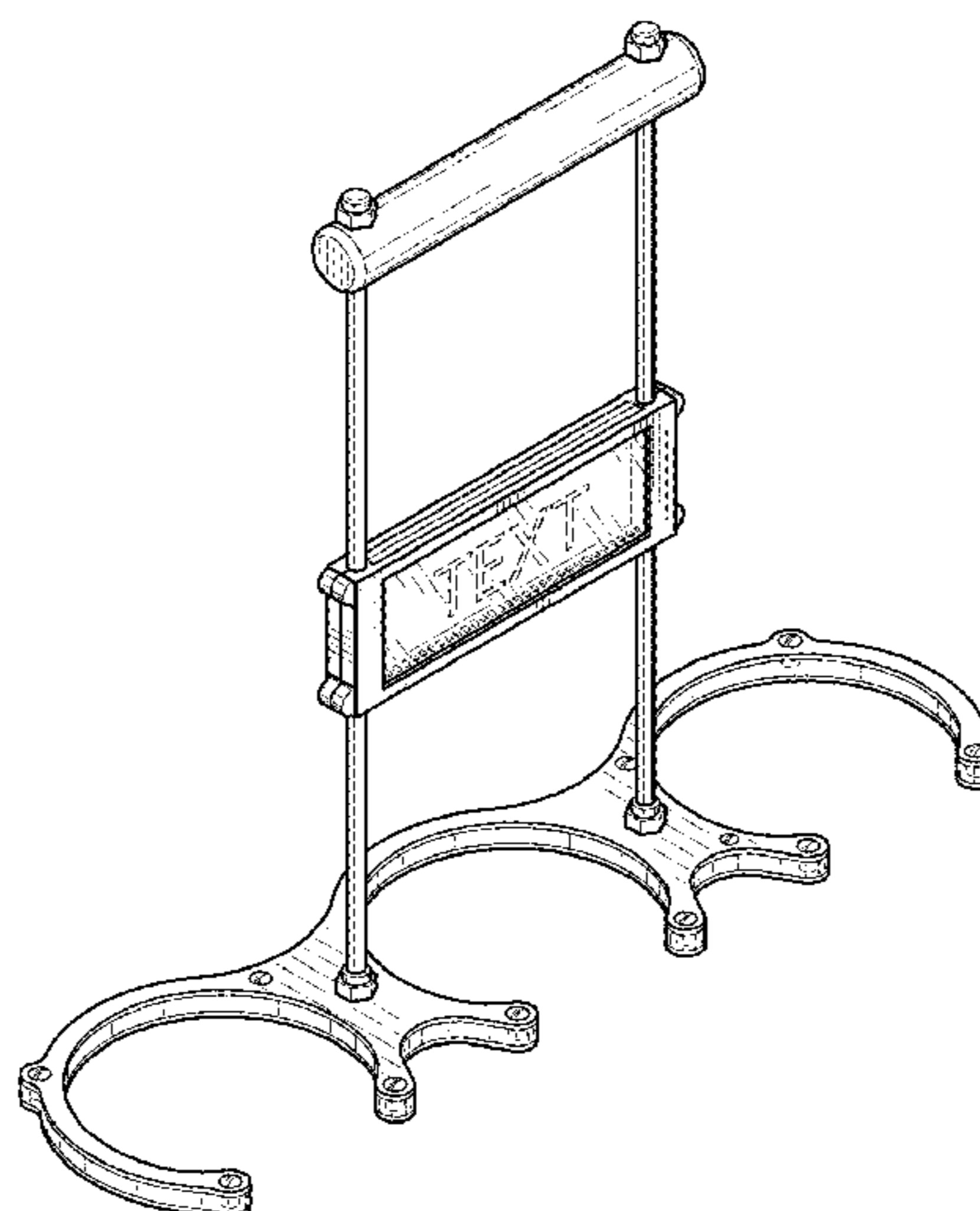
FIG. 13 is a back elevation view of the embodiment of FIG. 11 with the extra rack attachment and text in broken lines as environment;

FIG. 14 is a side elevation plan view of the embodiment of FIG. 11 with the extra rack attachment in broken lines as environment; and,

FIG. 15 is an exploded perspective view of the sign portion with LED strips and text in broken lines as environment, shown separately for clarity of illustration.

The text, lighting accessories, and extra rack attachment in broken lines are illustrative and form no part of the claimed design.

1 Claim, 7 Drawing Sheets



(56)

References Cited

U.S. PATENT DOCUMENTS

3,036,853	A *	5/1962	Glazer	B65D 71/50 294/87.2
3,167,347	A *	1/1965	Hewlings	B65D 71/00 206/145
D201,984	S	8/1965	Hervey	
3,552,612	A *	1/1971	Greis	B65D 71/50 248/311.2
4,623,185	A *	11/1986	Thomas	B65D 71/50 206/158
D528,436	S *	9/2006	Strepkoff	D9/753
D618,525	S	6/2010	Garnero	
8,567,617	B1	10/2013	Tapager	
8,590,715	B2	11/2013	Gray	

* cited by examiner

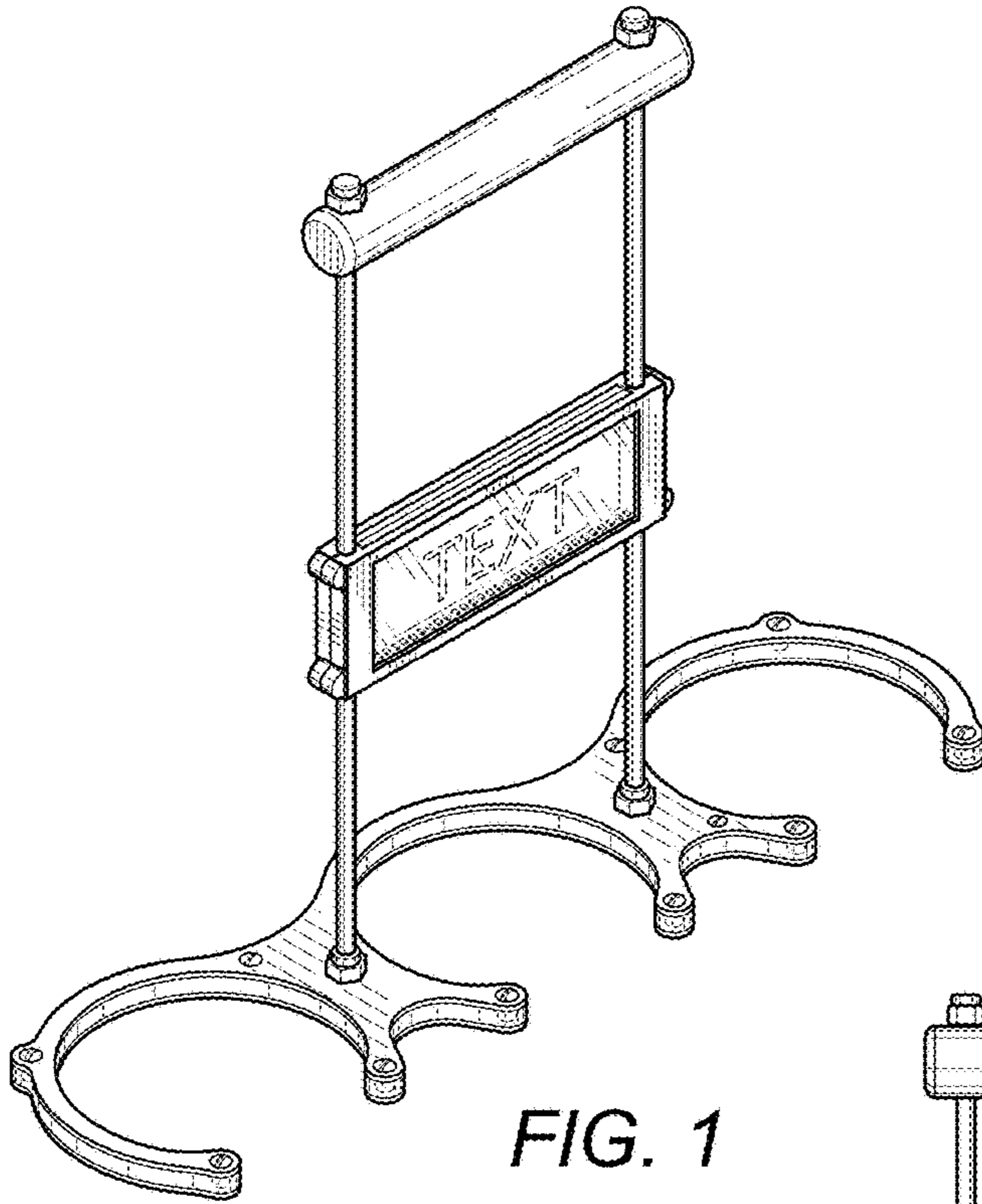


FIG. 1

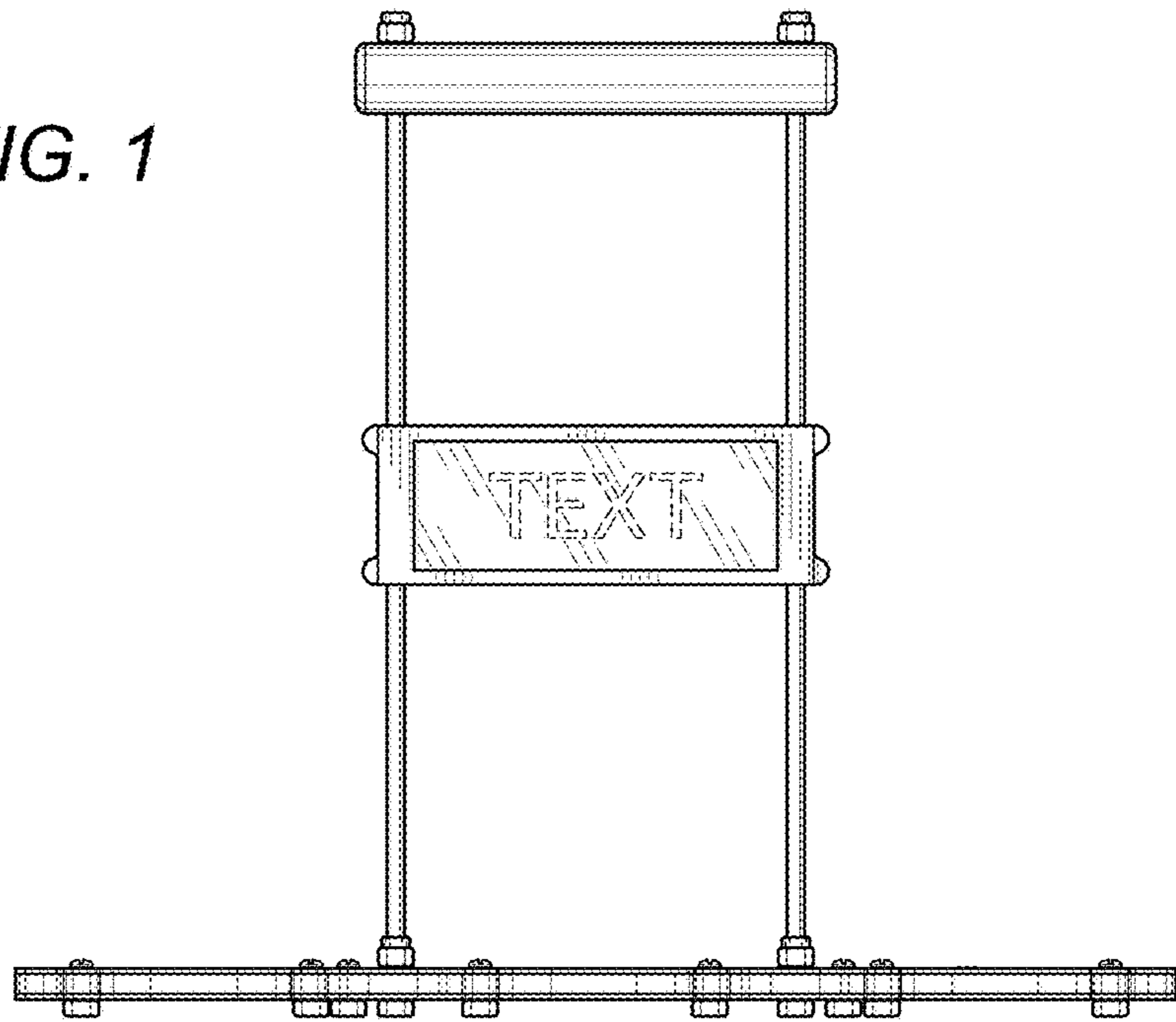


FIG. 2

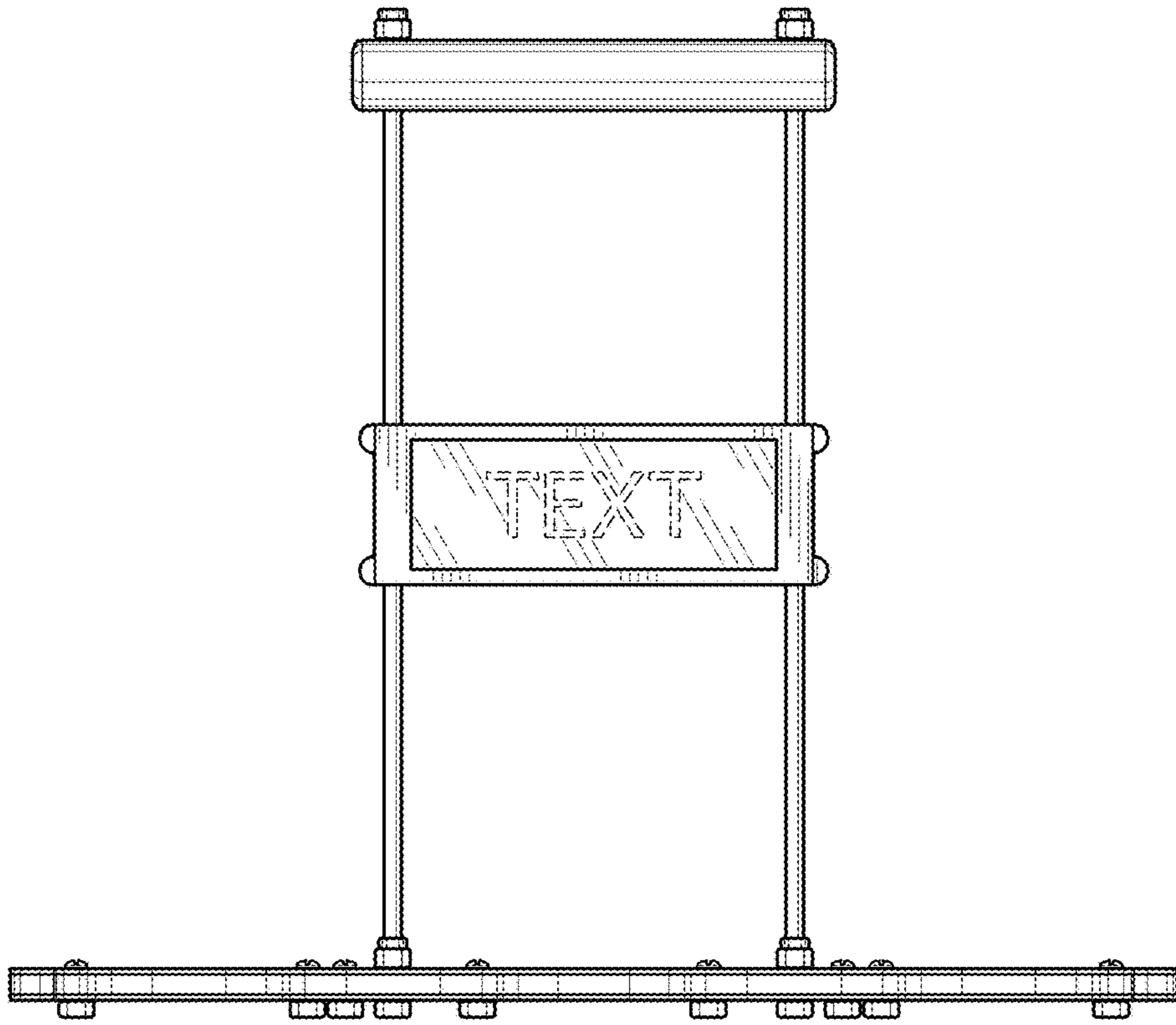


FIG. 3

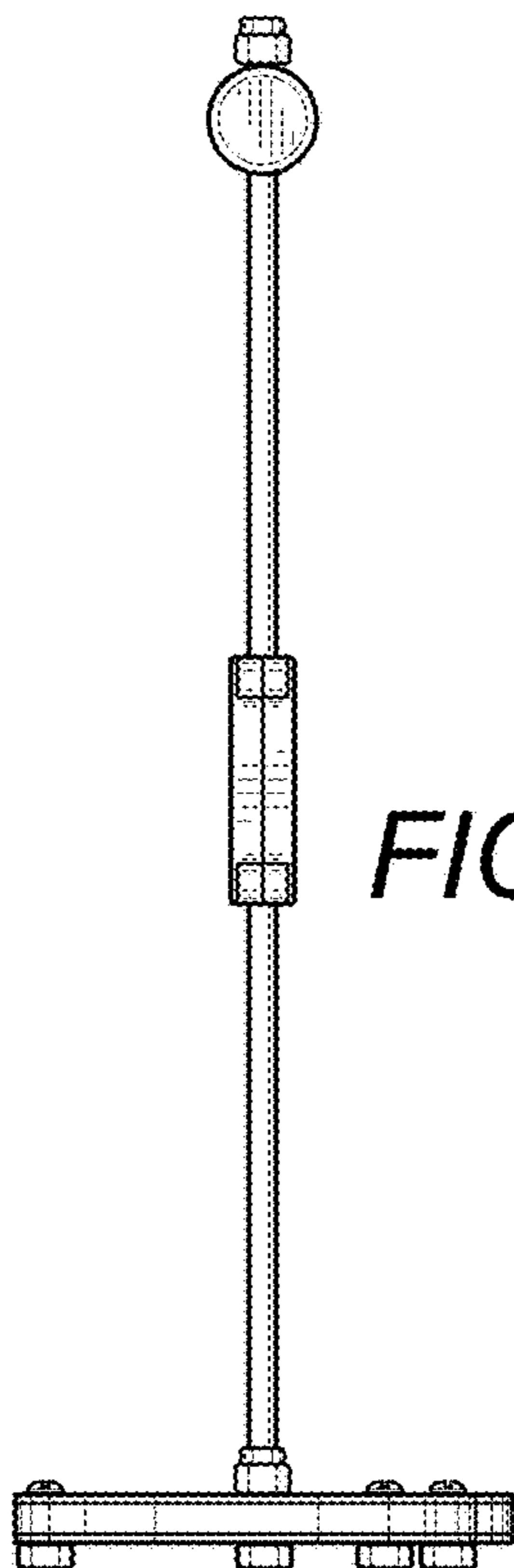


FIG. 4

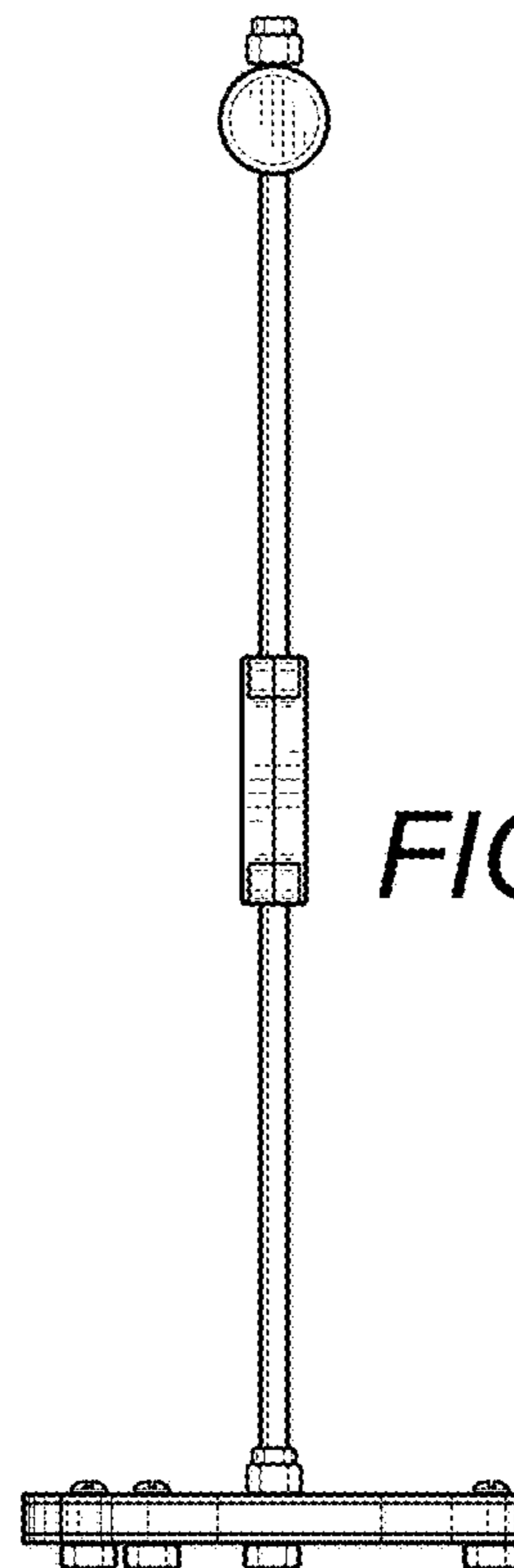


FIG. 5

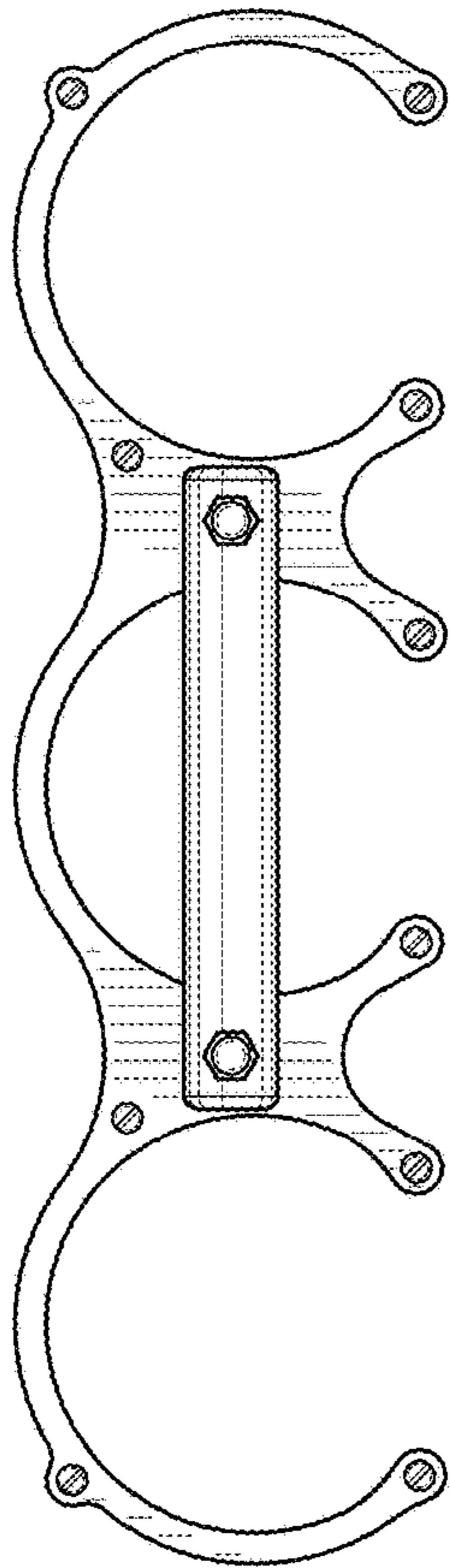


FIG. 6

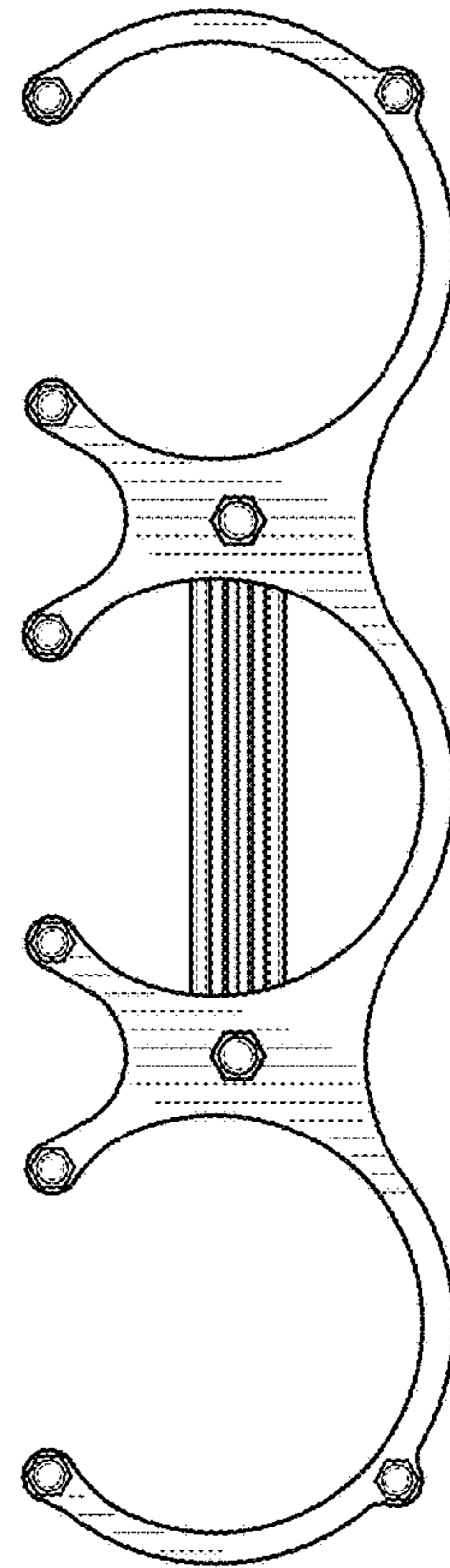


FIG. 7

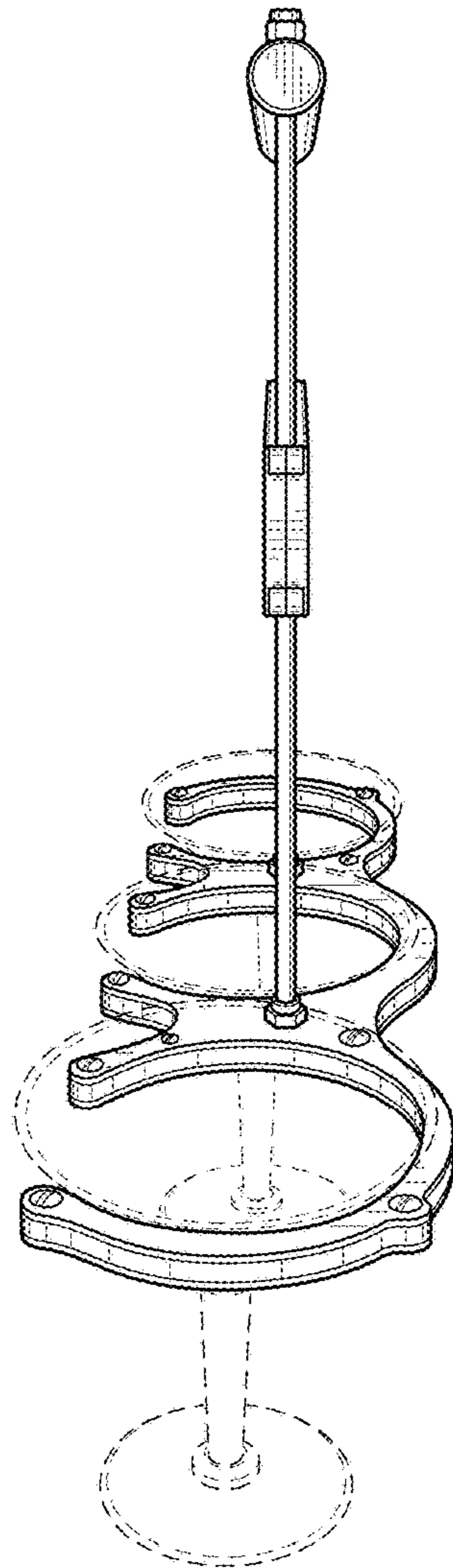


FIG. 8

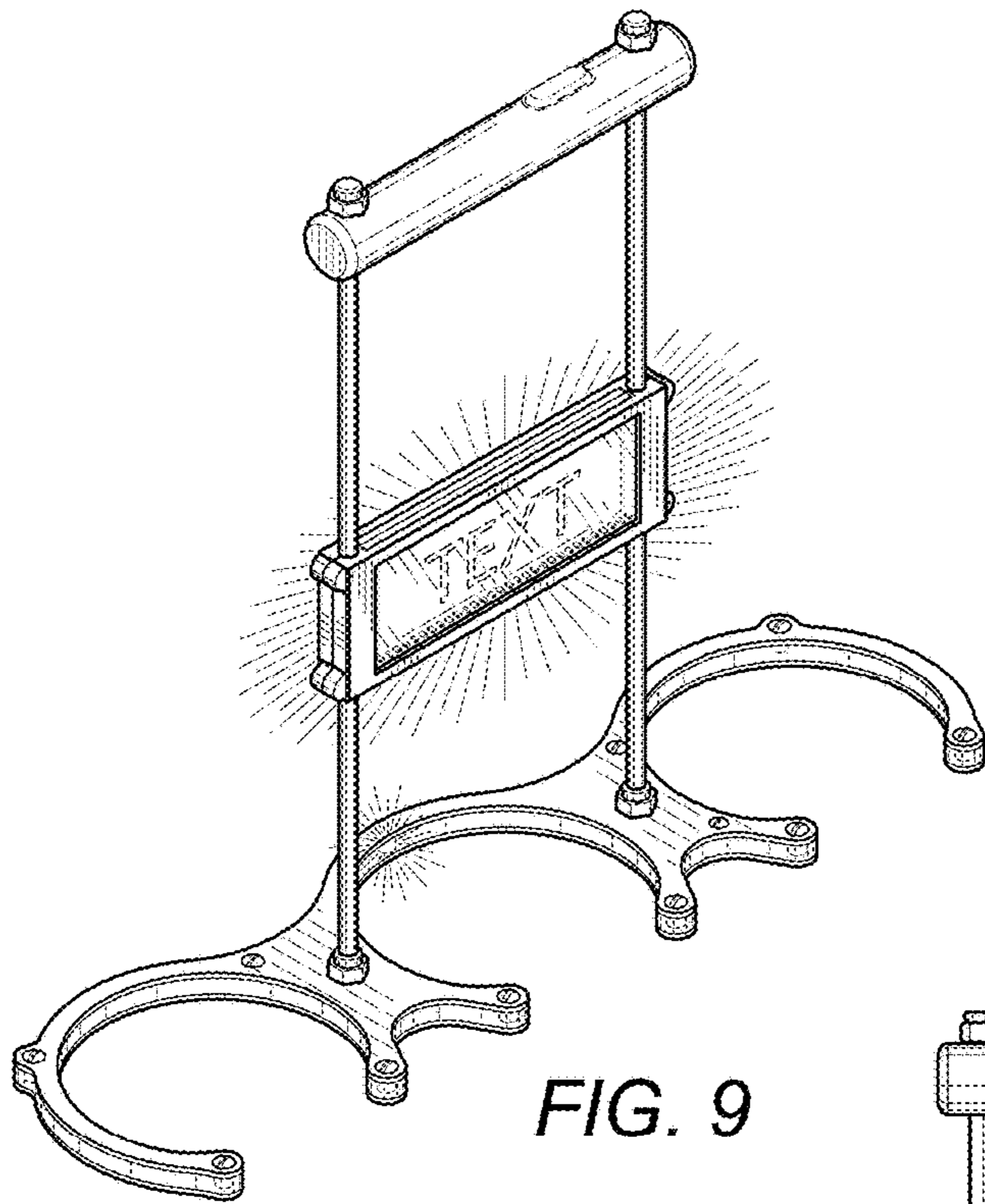


FIG. 9

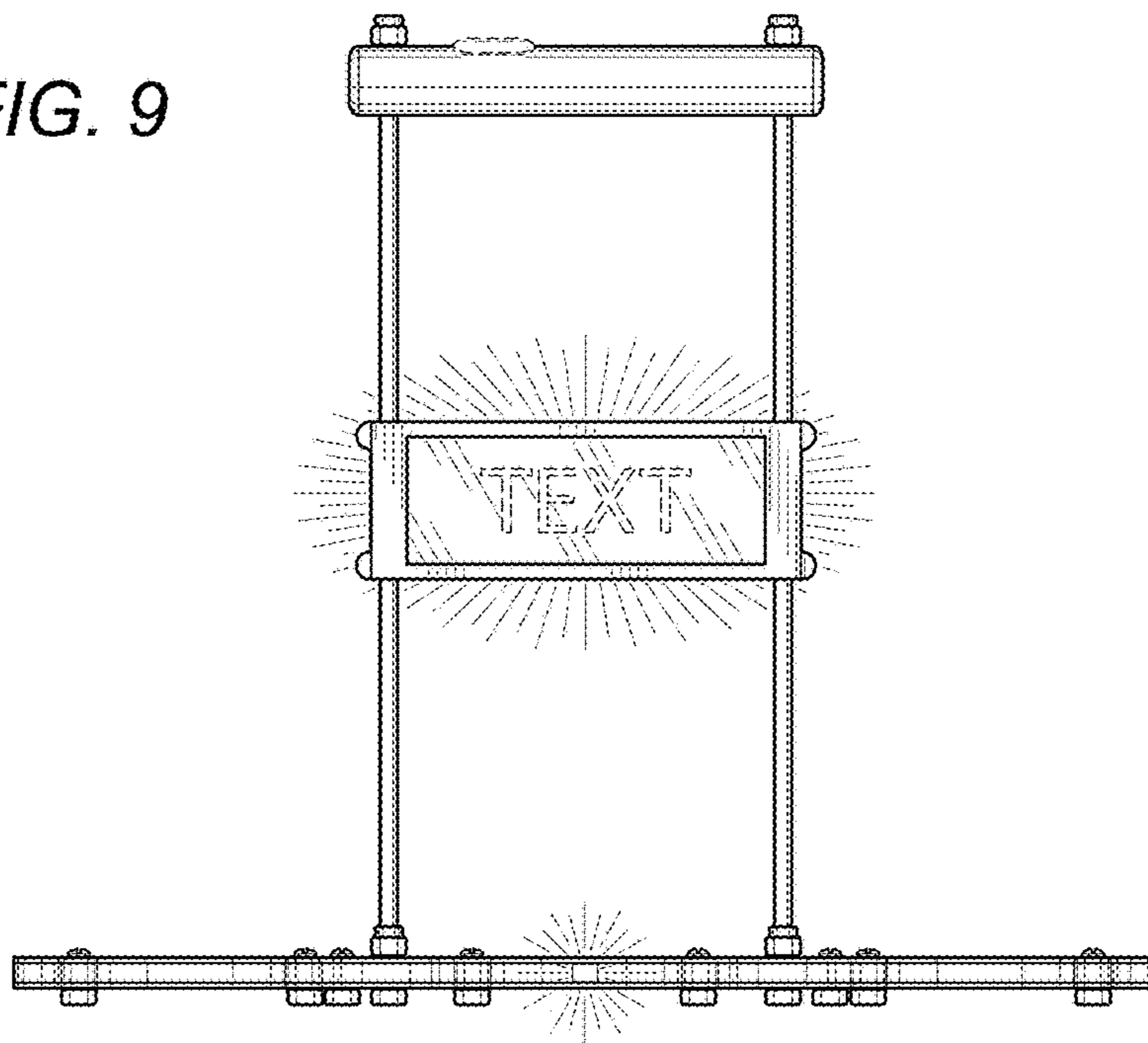


FIG. 10

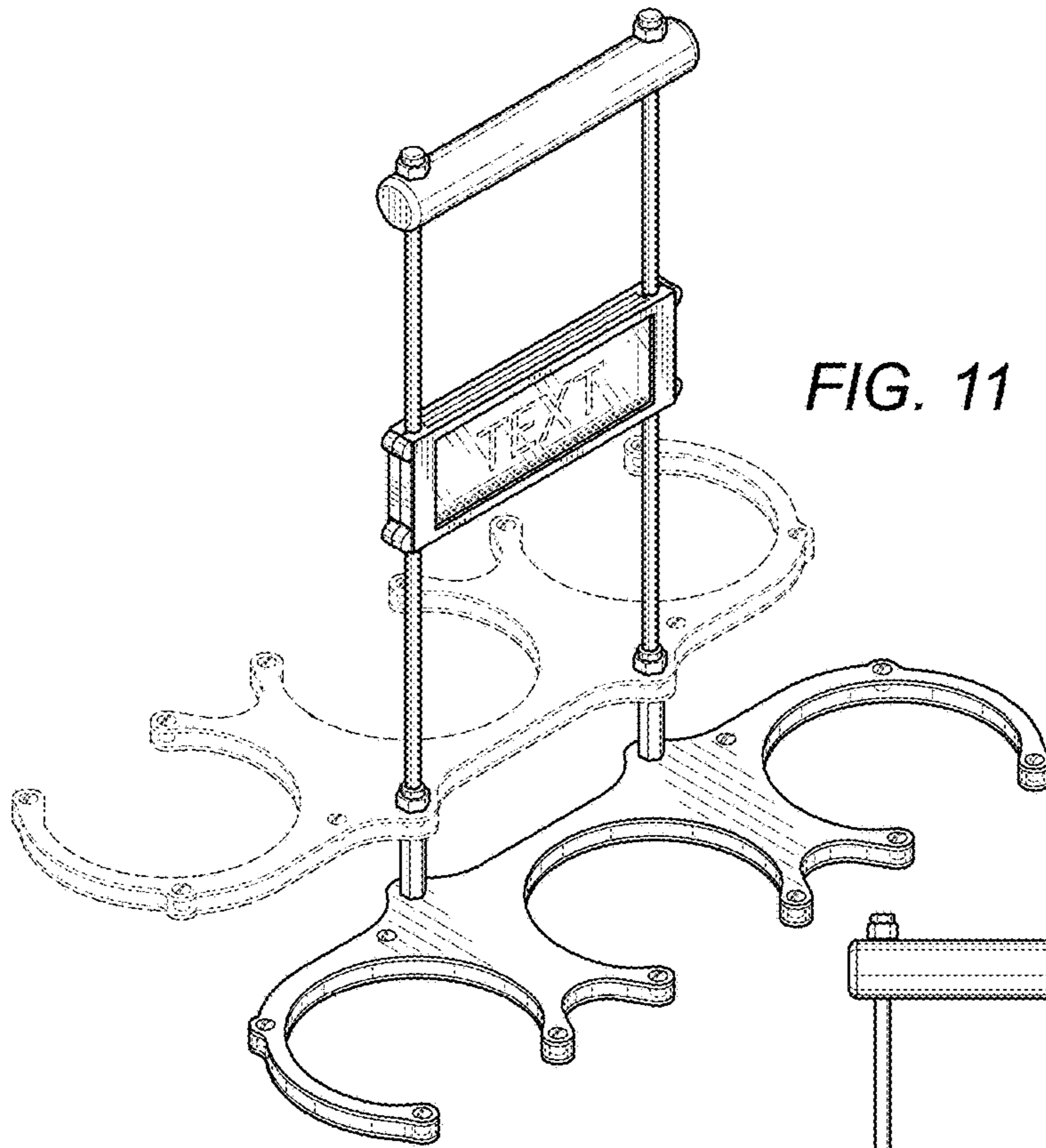


FIG. 11

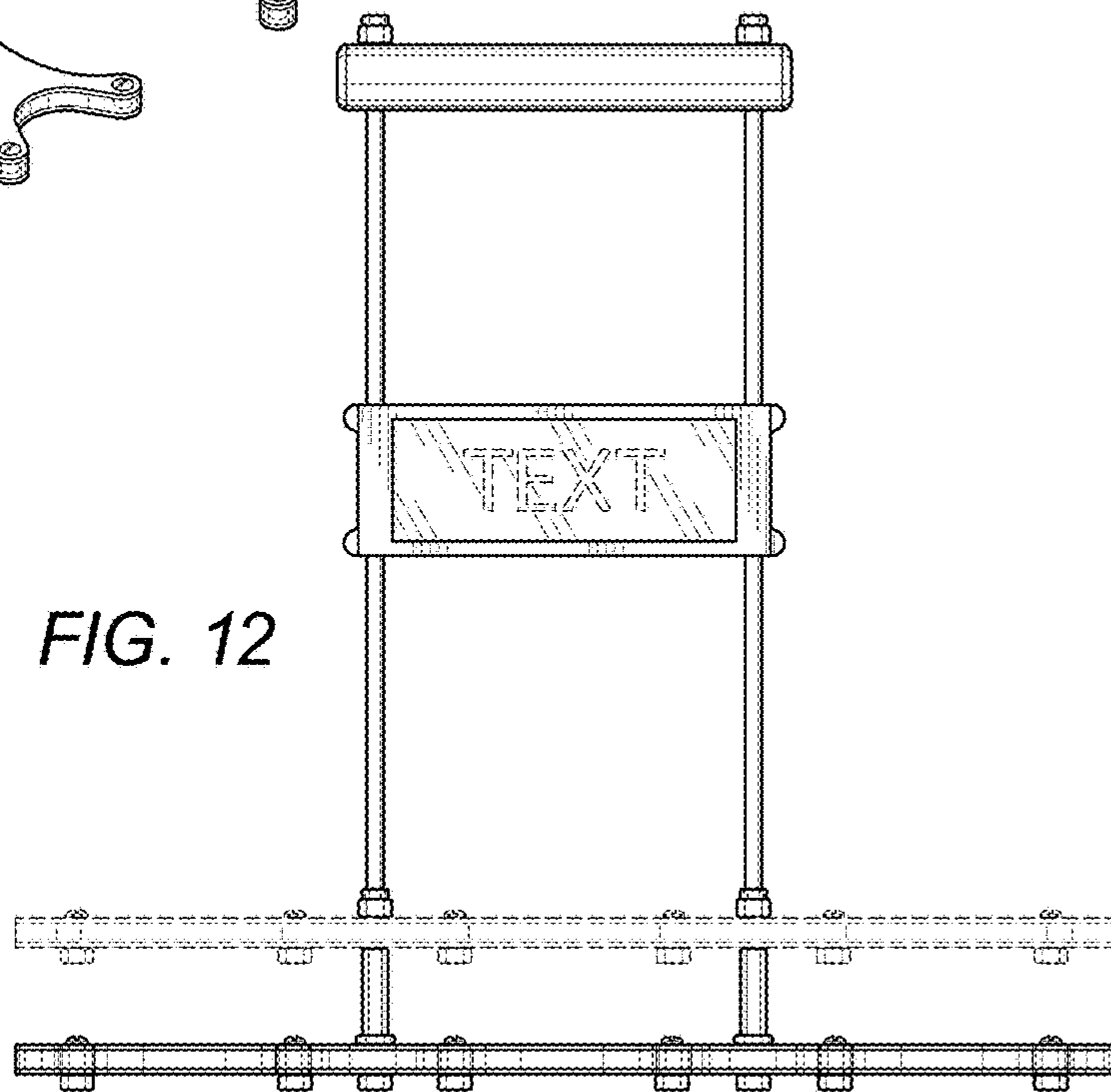


FIG. 12

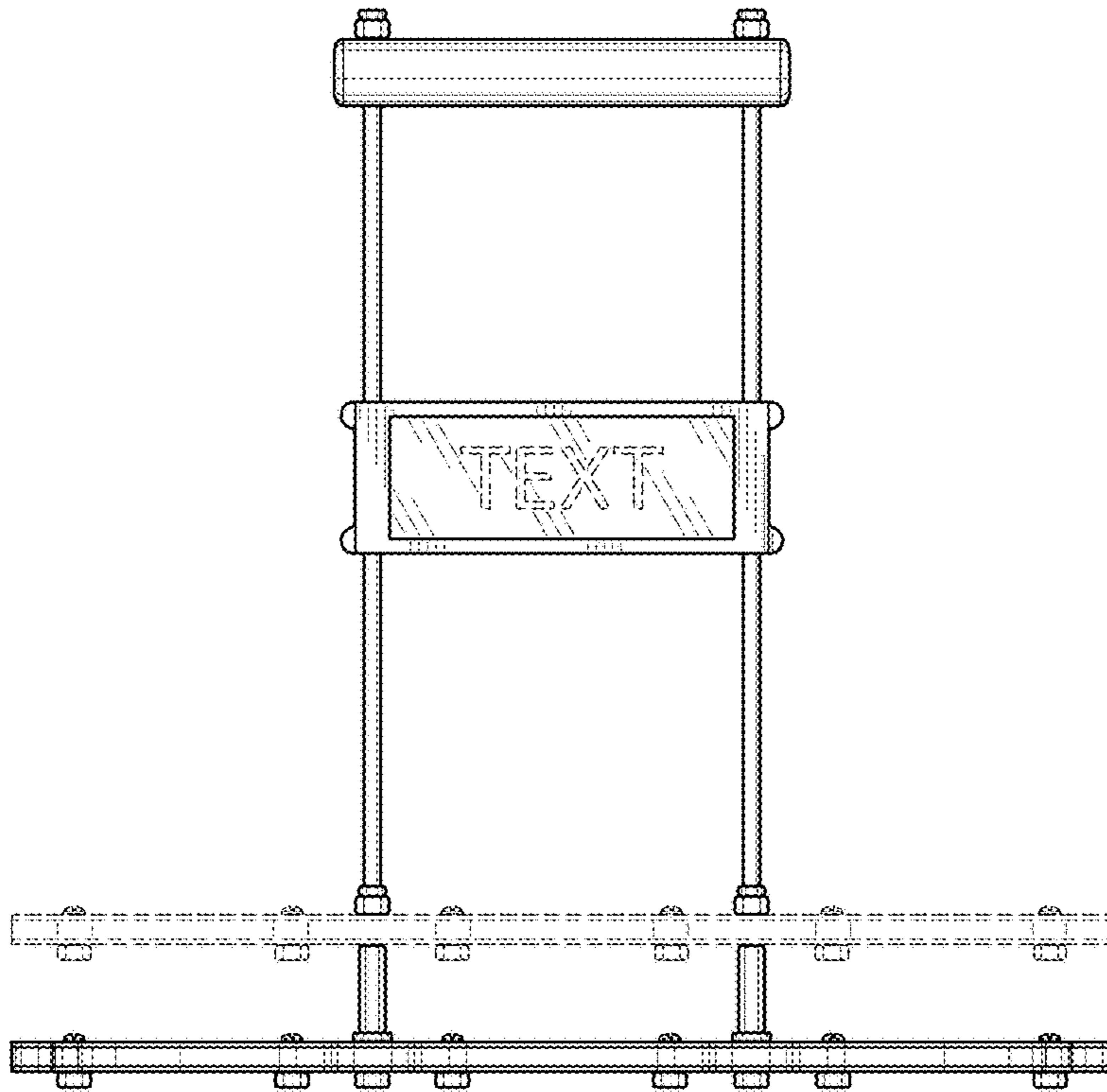


FIG. 13

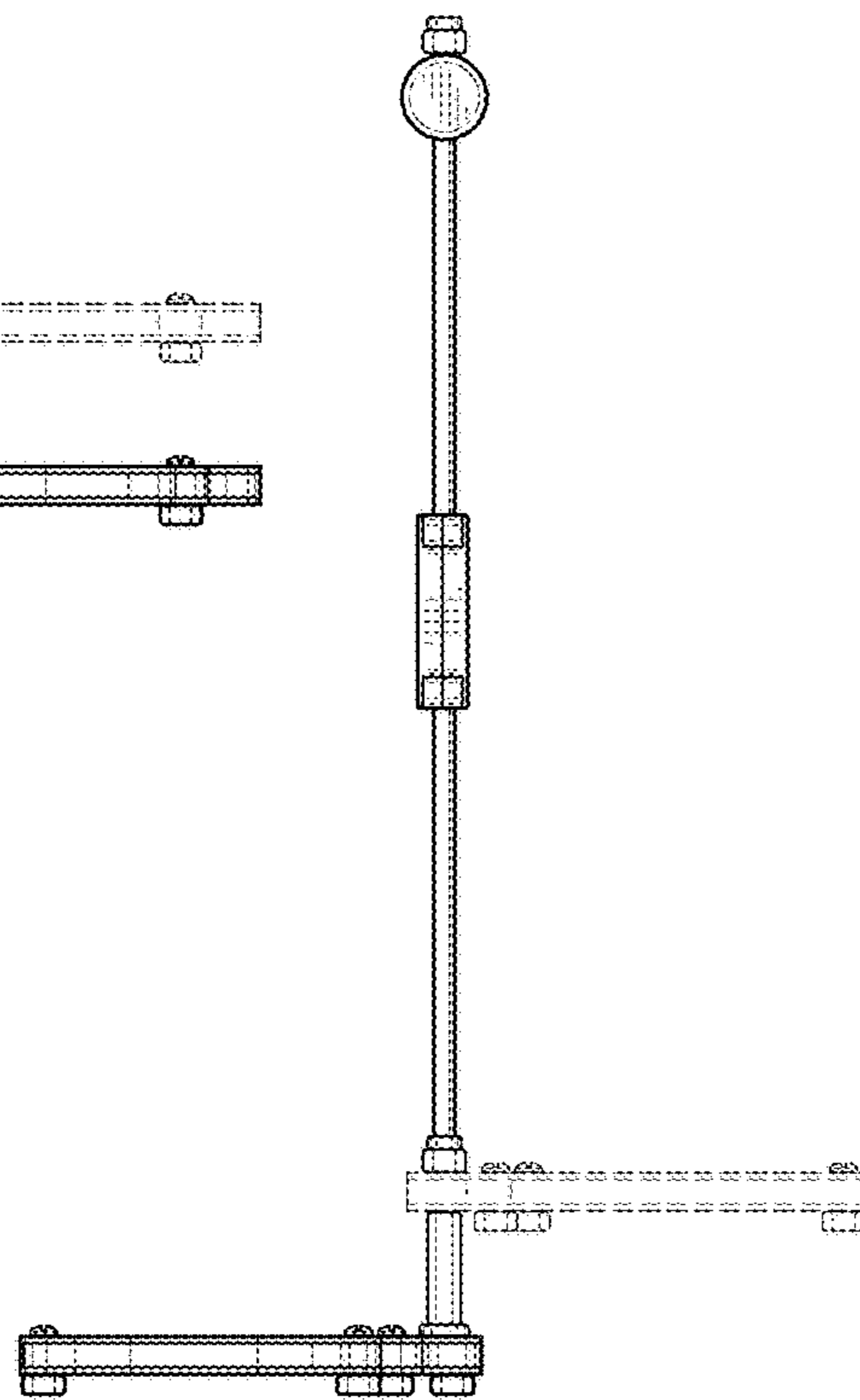


FIG. 14

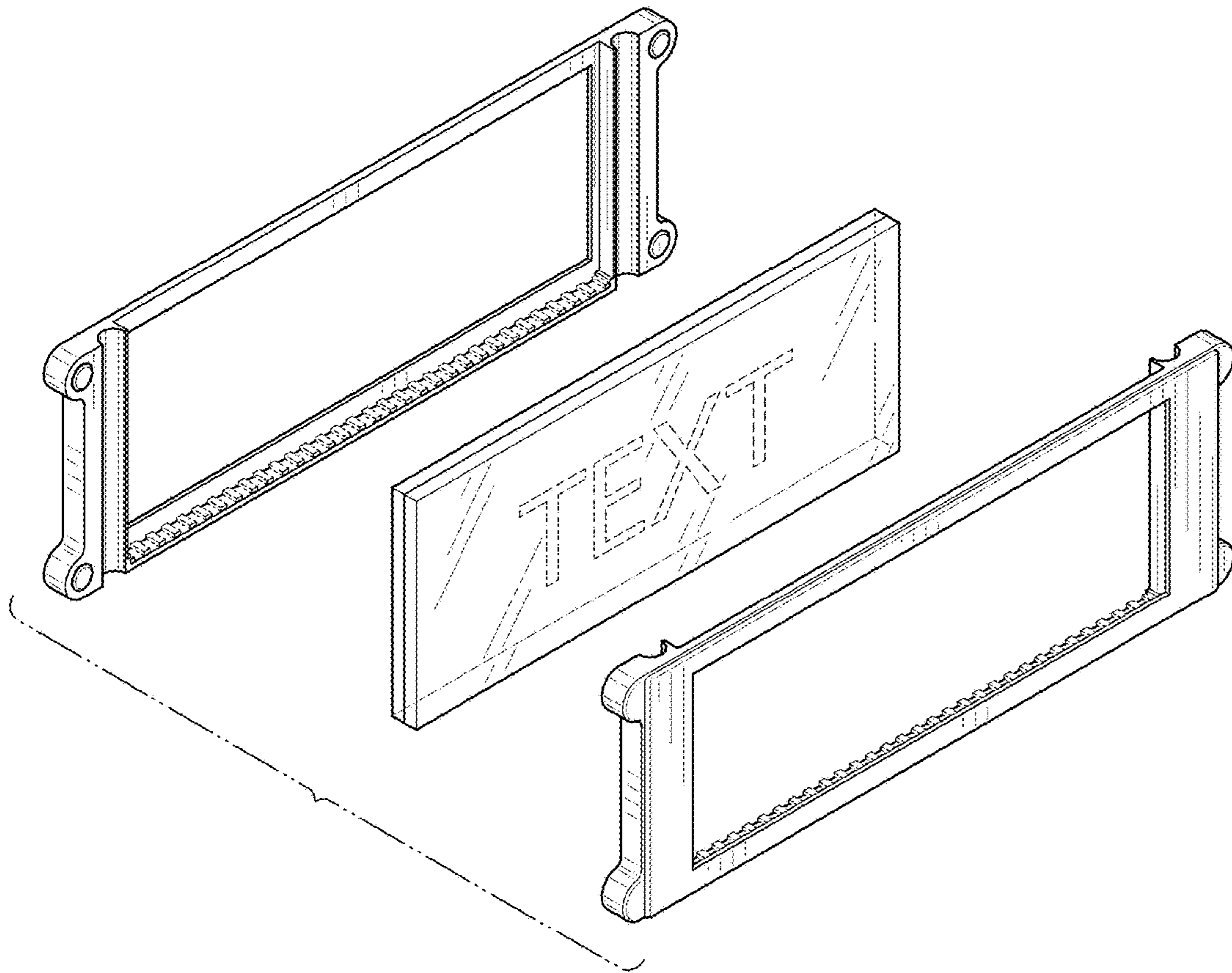


FIG. 15