



(12) **United States Design Patent**
Cash

(10) **Patent No.:** **US D832,064 S**
(45) **Date of Patent:** **** Oct. 30, 2018**

(54) **WINE STORAGE APPARATUS**

- (71) Applicant: **James Cash**, East Lansing, MI (US)
- (72) Inventor: **James Cash**, East Lansing, MI (US)
- (73) Assignee: **James Cash**, East Lansing, MI (US)
- (**) Term: **15 Years**
- (21) Appl. No.: **29/561,691**
- (22) Filed: **Apr. 19, 2016**

Related U.S. Application Data

- (63) Continuation-in-part of application No. 29/499,023, filed on Aug. 11, 2014, now Pat. No. Des. 758,811.
- (51) **LOC (11) Cl.** **07-07**
- (52) **U.S. Cl.**
USPC **D7/701**
- (58) **Field of Classification Search**
USPC D7/601, 704, 707, 708; D15/89;
D23/261
CPC A47B 73/008; A47B 45/00; A47B 96/02;
A47B 73/00; A47F 7/28; F23H 13/00;
F23H 5/00; F23H 1/00; F23H 1/08
See application file for complete search history.

(56) **References Cited**

U.S. PATENT DOCUMENTS

- D614,926 S * 5/2010 Cox D7/708
- D756,723 S * 5/2016 Cash D7/704

(Continued)

Primary Examiner — Karen S Acker

Assistant Examiner — Steven B Reinholdt, Jr.

(74) *Attorney, Agent, or Firm* — Fitch, Even, Tabin & Flannery, LLP

(57) **CLAIM**

The ornamental design for a wine storage apparatus, as shown and described.

DESCRIPTION

FIG. 1 is a perspective view of a first embodiment of a wine storage apparatus showing my new design;

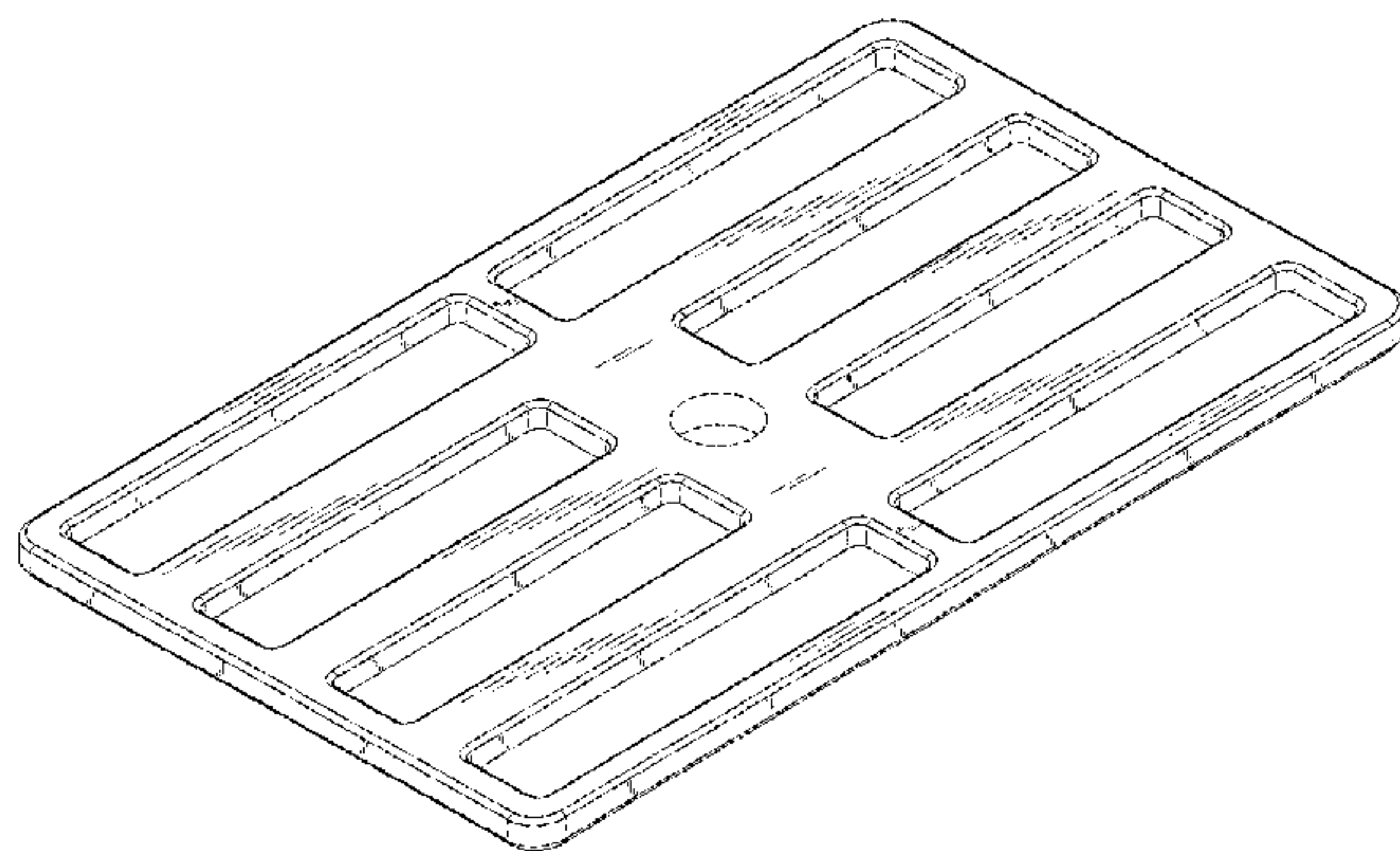


FIG. 2 is a top plan view of the wine storage apparatus of FIG. 1, the bottom plan view being identical thereto; FIG. 3 is a right side elevation view of the wine storage apparatus of FIG. 1, the left side elevation view being identical thereto;

FIG. 4 is a front elevation view of the wine storage apparatus of FIG. 1, the rear elevation view being identical thereto; FIG. 5 is a perspective view of a second embodiment of a wine storage apparatus showing my new design;

FIG. 6 is a top plan view of the wine storage apparatus of FIG. 5, the bottom plan view being identical thereto; FIG. 7 is a right side elevation view of the wine storage apparatus of FIG. 5, the left side elevation view being identical thereto;

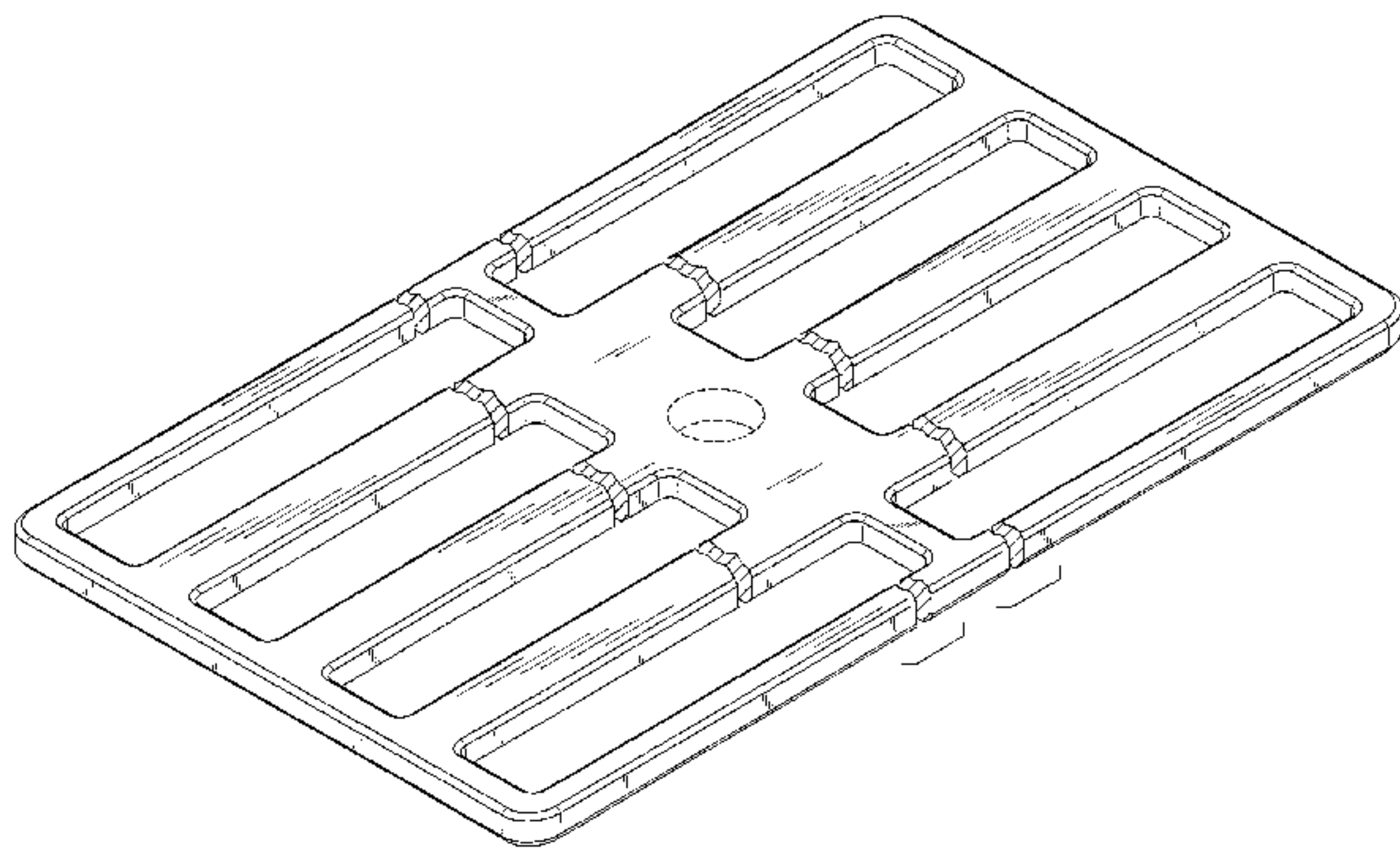
FIG. 8 is a front elevation view of the wine storage apparatus of FIG. 5, the rear elevation view being identical thereto; FIG. 9 is a perspective view of a third embodiment of a wine storage apparatus showing my new design;

FIG. 10 is a top plan view of the wine storage apparatus of FIG. 9, the bottom plan view being identical thereto; FIG. 11 is a right side elevation view of the wine storage apparatus of FIG. 9, the left side elevation view being identical thereto; and,

FIG. 12 is a front elevation view of the wine storage apparatus of FIG. 9, the rear elevation view being identical thereto.

The broken lines depict unclaimed environmental subject matter and form no part of the claimed design. The second embodiment drawings include a symbolic break along the width of the article. The third embodiment drawings include a symbolic break along the length of the article. The areas between these break lines form no part of the claimed design.

1 Claim, 9 Drawing Sheets



(56)

References Cited

U.S. PATENT DOCUMENTS

D758,811 S * 6/2016 Cash D7/707
D759,791 S * 6/2016 Hull D23/261
D788,888 S * 6/2017 Hull D23/261

* cited by examiner

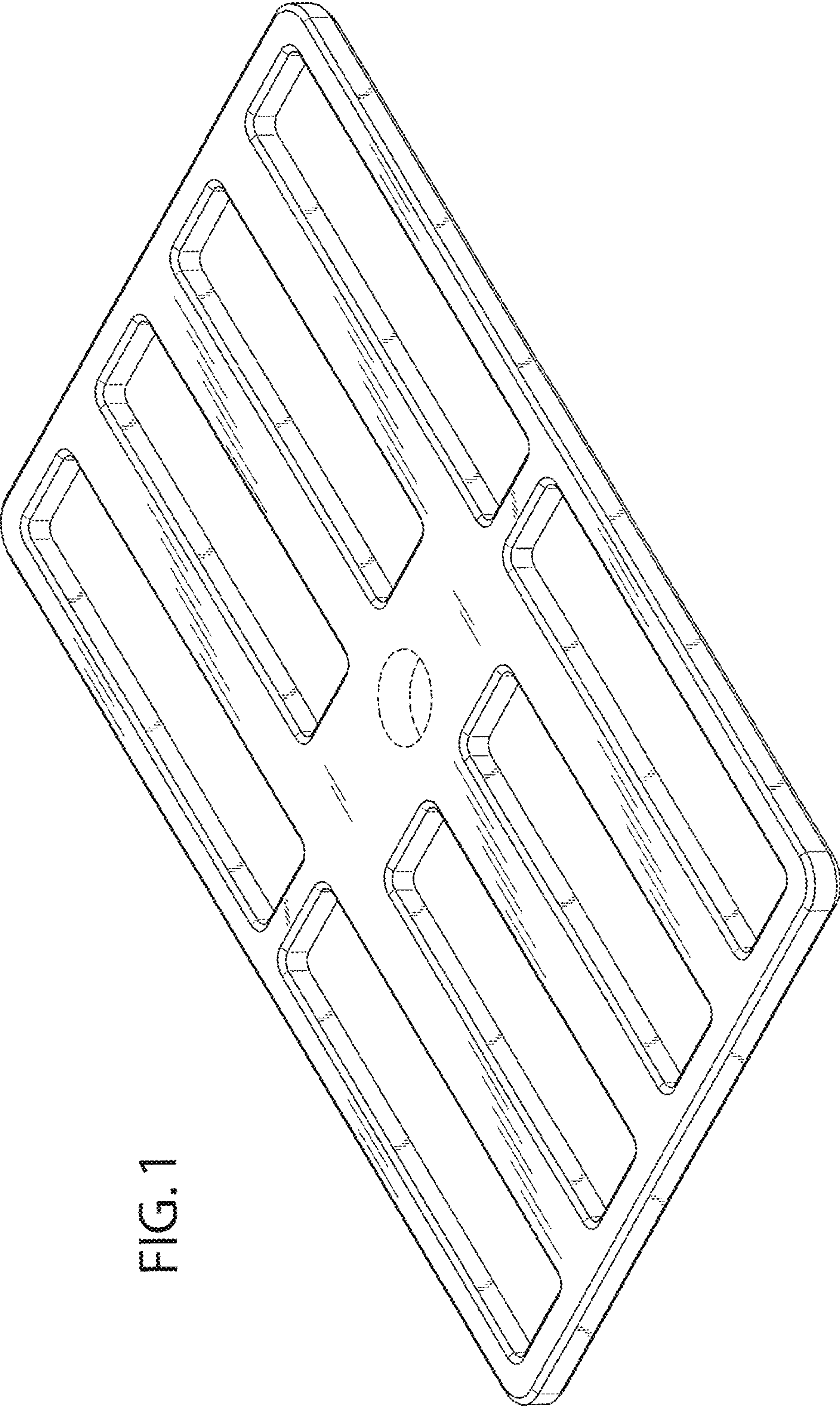


FIG. 1

FIG. 2

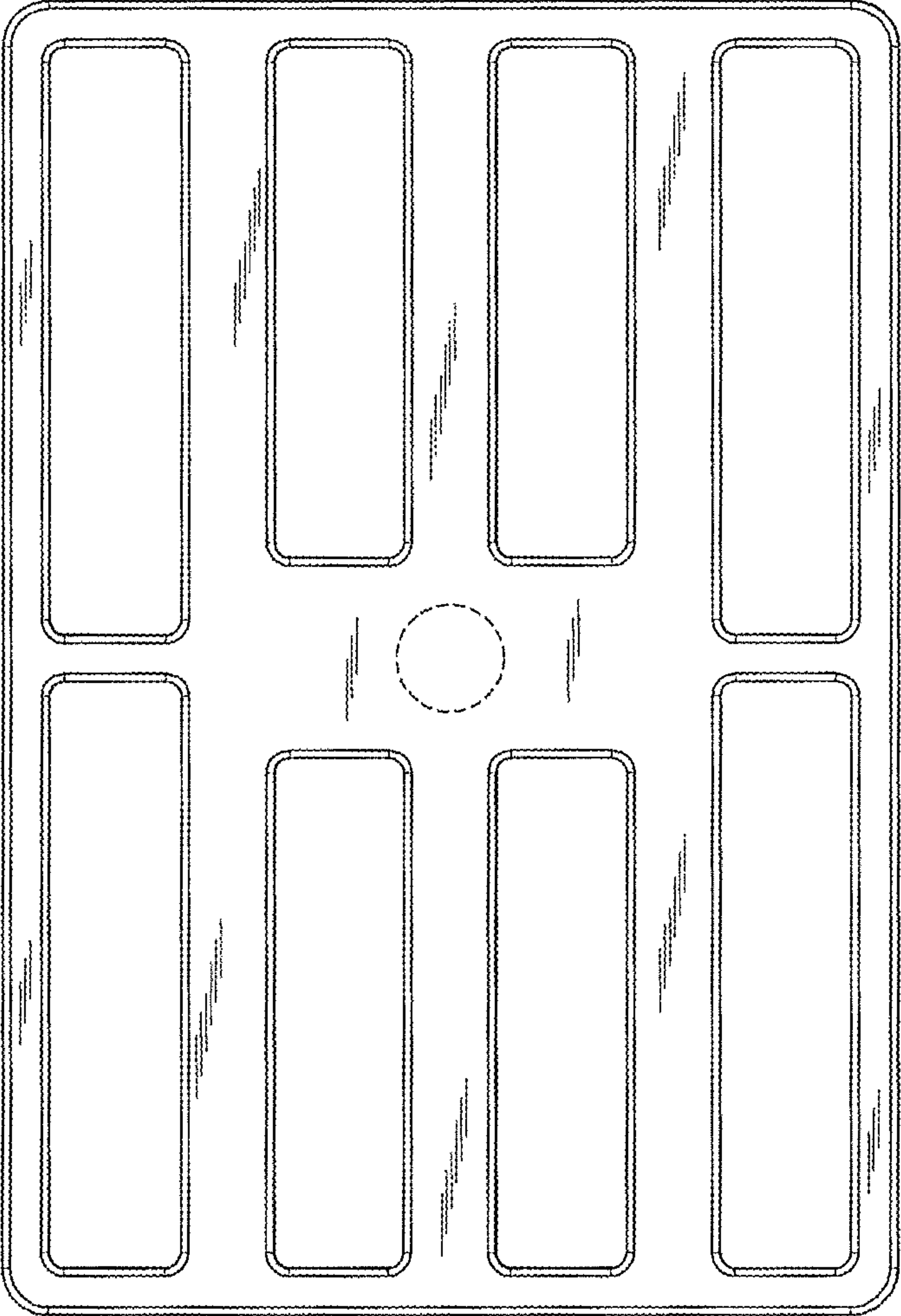


FIG. 3

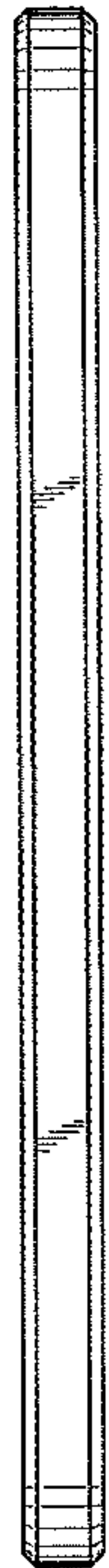


FIG. 4



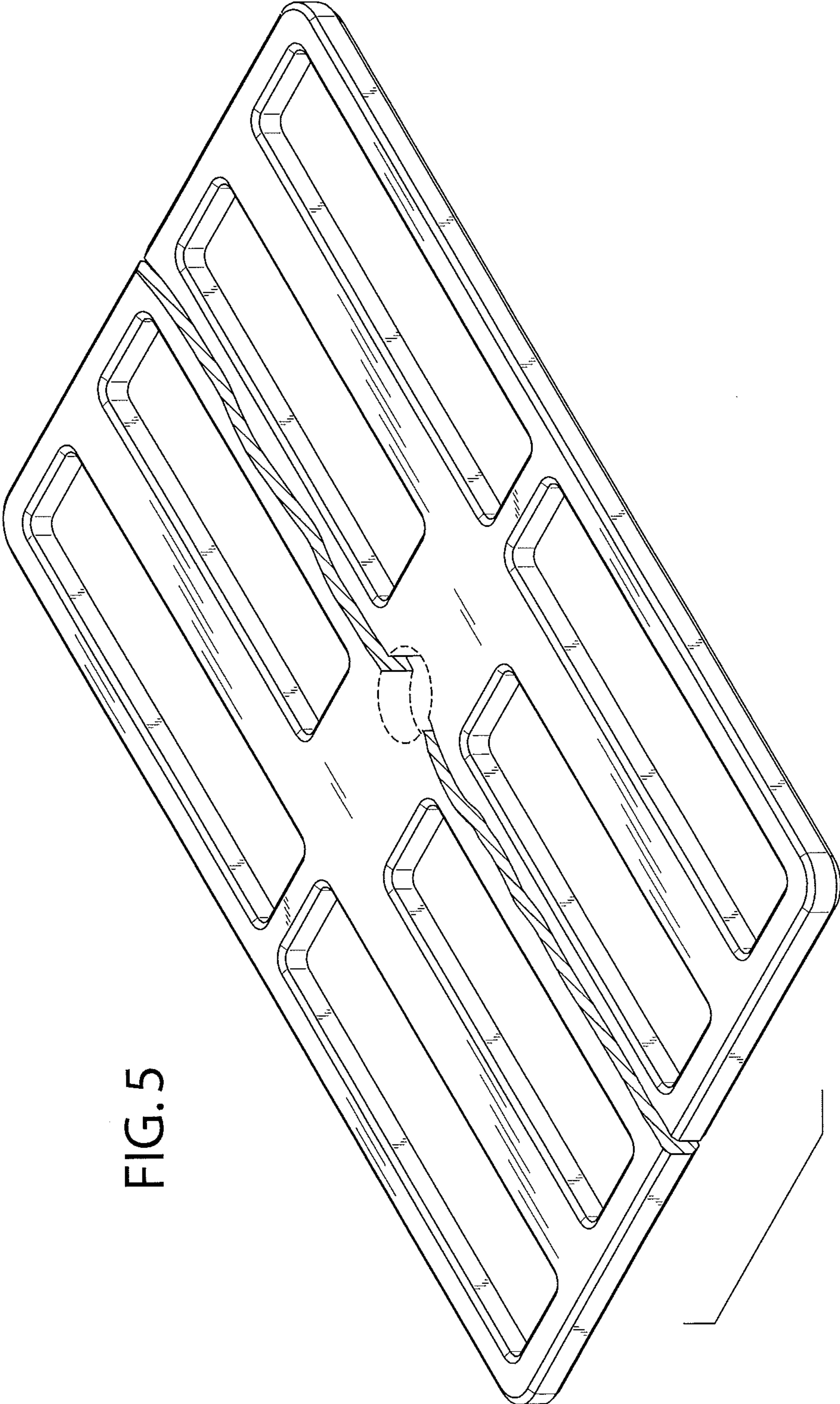


FIG. 5

FIG. 6

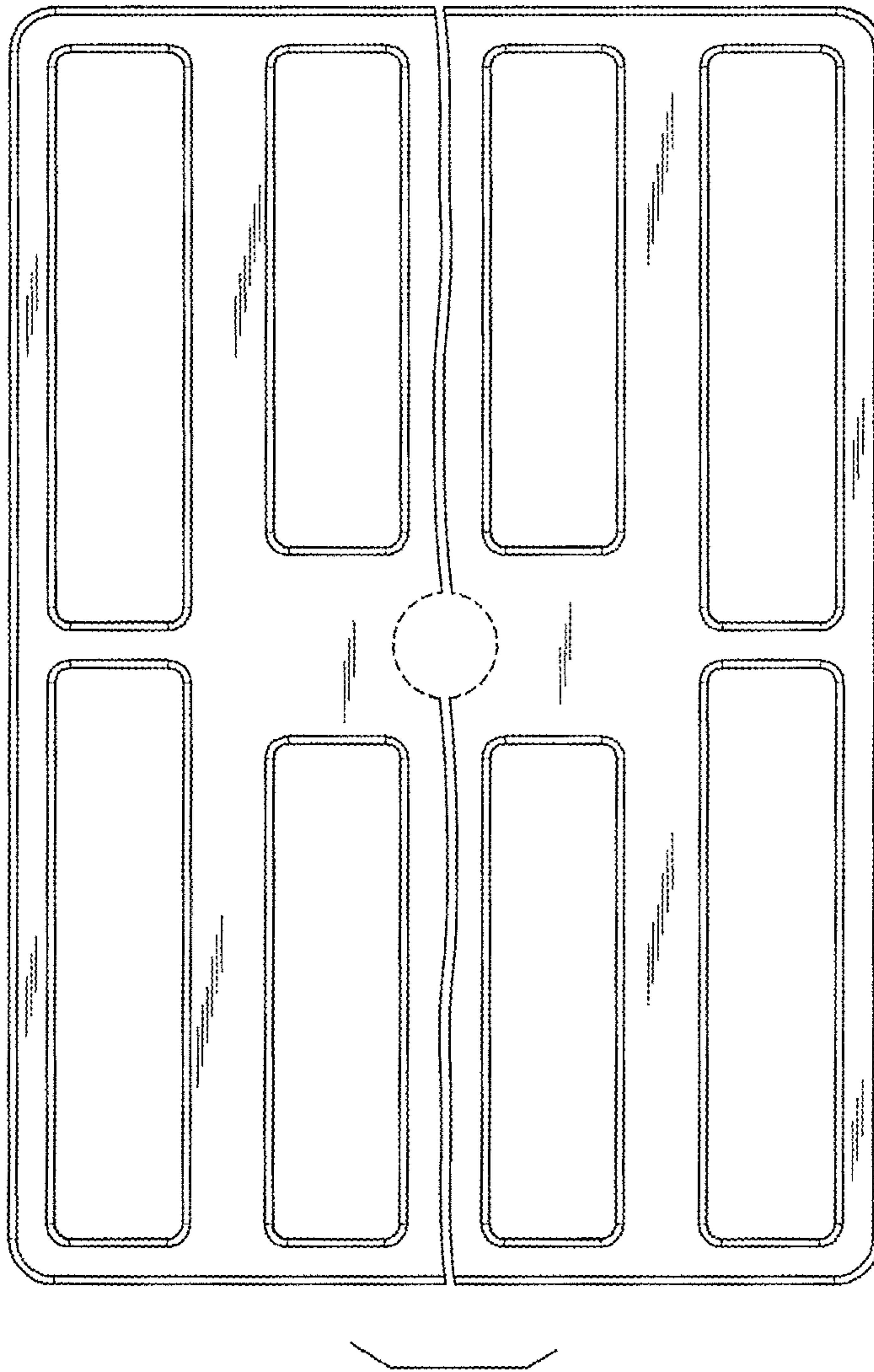


FIG. 7

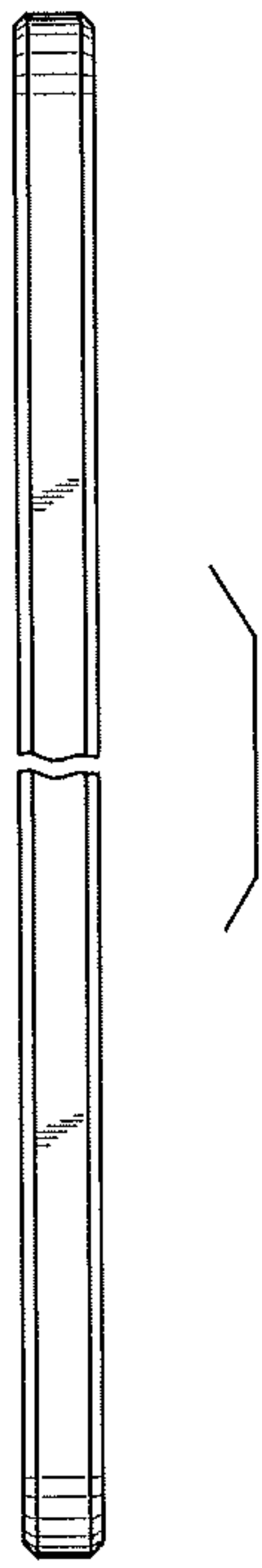


FIG. 8



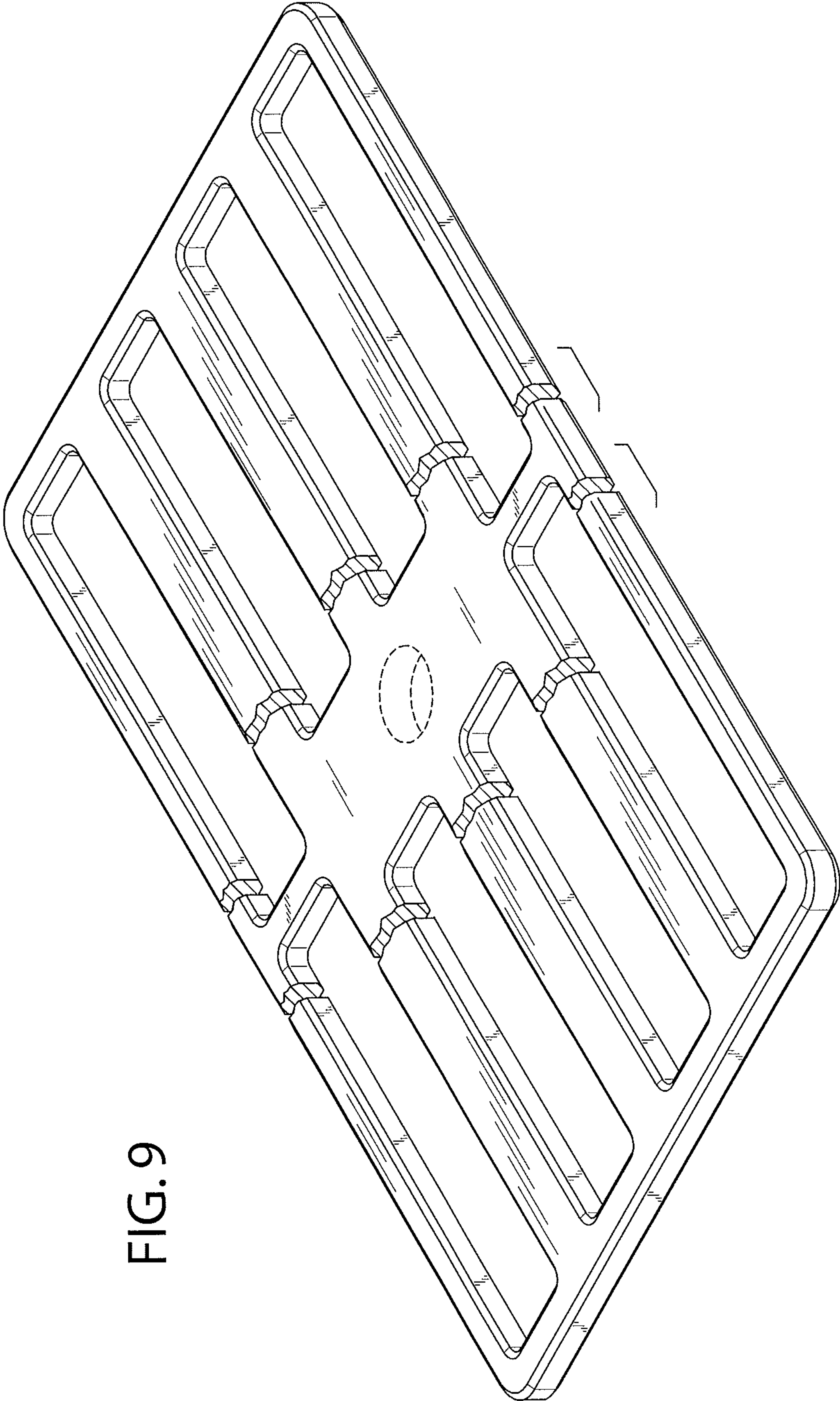


FIG. 9

FIG. 10

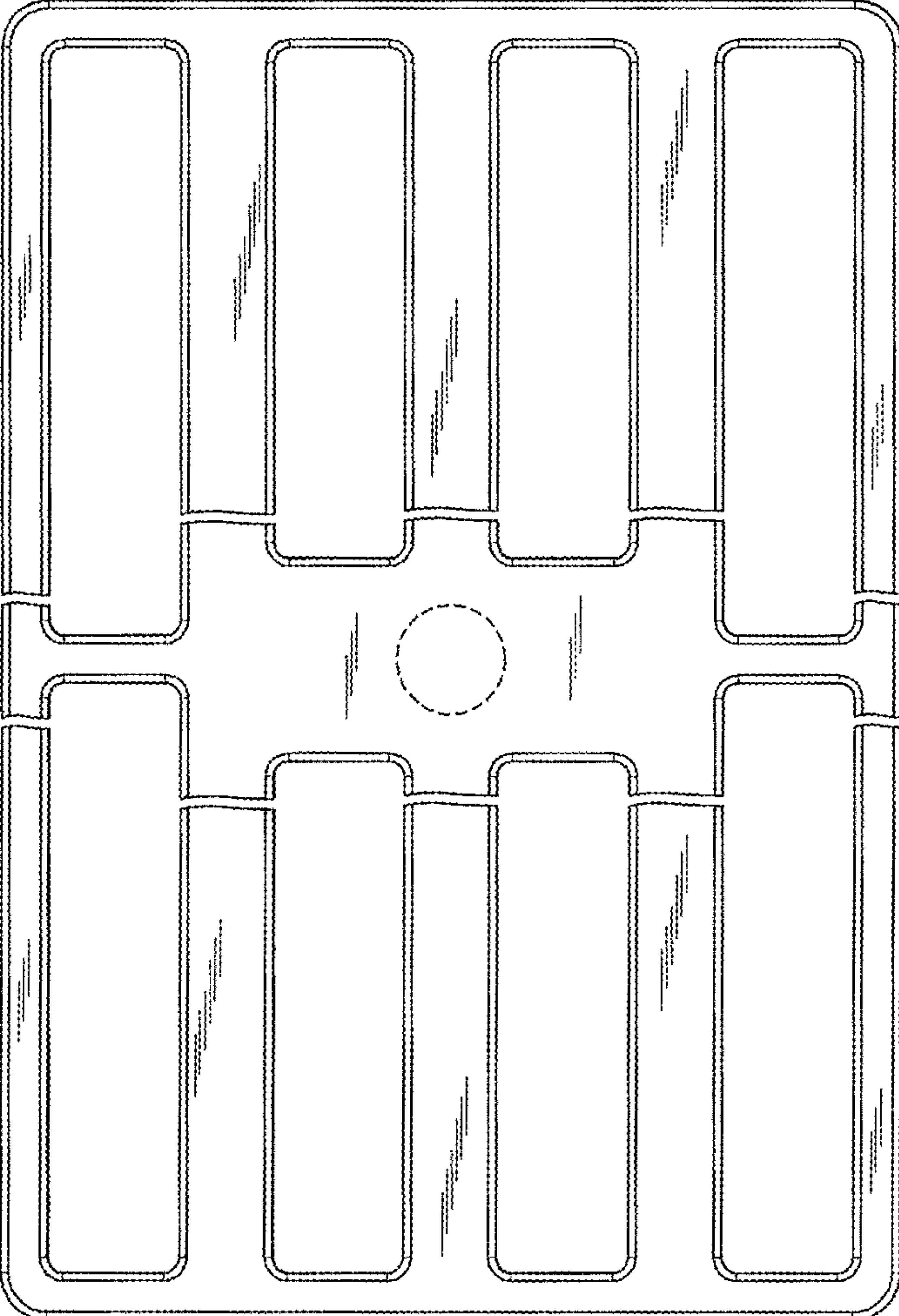


FIG. 11



FIG. 12

