



US00D832061S

(12) **United States Design Patent**
Albrecht

(10) **Patent No.:** **US D832,061 S**

(45) **Date of Patent:** **** Oct. 30, 2018**

(54) **DISPENSER**

(71) Applicant: **San Jamar, Inc.**, Elkhorn, WI (US)

(72) Inventor: **Brian Albrecht**, Elkhorn, WI (US)

(73) Assignee: **San Jamar, Inc.**, Elkhorn, WI (US)

(**) Term: **15 Years**

(21) Appl. No.: **29/573,403**

(22) Filed: **Aug. 5, 2016**

(51) **LOC (11) Cl.** **07-06**

(52) **U.S. Cl.**

USPC **D7/632**

(58) **Field of Classification Search**

USPC D6/518-523, 542-545; D7/631-634;
206/409, 233, 494, 77.1; 211/86.01,
211/87.01, 30-60, 208, 227, 279, 282,
211/284, 14, 92, 649, 146.1

CPC .. A47F 7/00; A47F 7/021; A47F 7/163; A47F
5/05; A47K 10/40; A47K 10/3836; B65D
85/16; B66D 1/7442

See application file for complete search history.

(56) **References Cited**

U.S. PATENT DOCUMENTS

D120,742 S 5/1940 Oswell
2,704,627 A 3/1956 Brulin et al.
3,442,393 A 5/1969 Koppelman

(Continued)

FOREIGN PATENT DOCUMENTS

CA 777633 A 6/1968
CA 945955 A 4/1974

(Continued)

Primary Examiner — Derrick E Holland

Assistant Examiner — Janice Patyk

(74) *Attorney, Agent, or Firm* — Boyle Fredrickson S.C.

(57) **CLAIM**

The ornamental design for a dispenser, as shown and described.

DESCRIPTION

FIG. 1 is a top, front, right side isometric view of a dispenser, of embodiment one, showing my new design; FIG. 2 is a front elevation view of the dispenser shown in FIG. 1;

FIG. 3 is a rear elevation view of the dispenser shown in FIG. 1;

FIG. 4 is a right side elevation view of the dispenser shown in FIG. 1;

FIG. 5 is a left side elevation view of the dispenser shown in FIG. 1;

FIG. 6 is a top plan view of the dispenser shown in FIG. 1; FIG. 7 is a bottom plan view of the dispenser shown in FIG. 1;

FIG. 8 is a top, front, right side isometric view of a dispenser, of embodiment two, showing my new design; FIG. 9 is a front elevation view of the dispenser shown in FIG. 8;

FIG. 10 is a rear elevation view of the dispenser shown in FIG. 8;

FIG. 11 is a right side elevation view of the dispenser shown in FIG. 8;

FIG. 12 is a left side elevation view of the dispenser shown in FIG. 8;

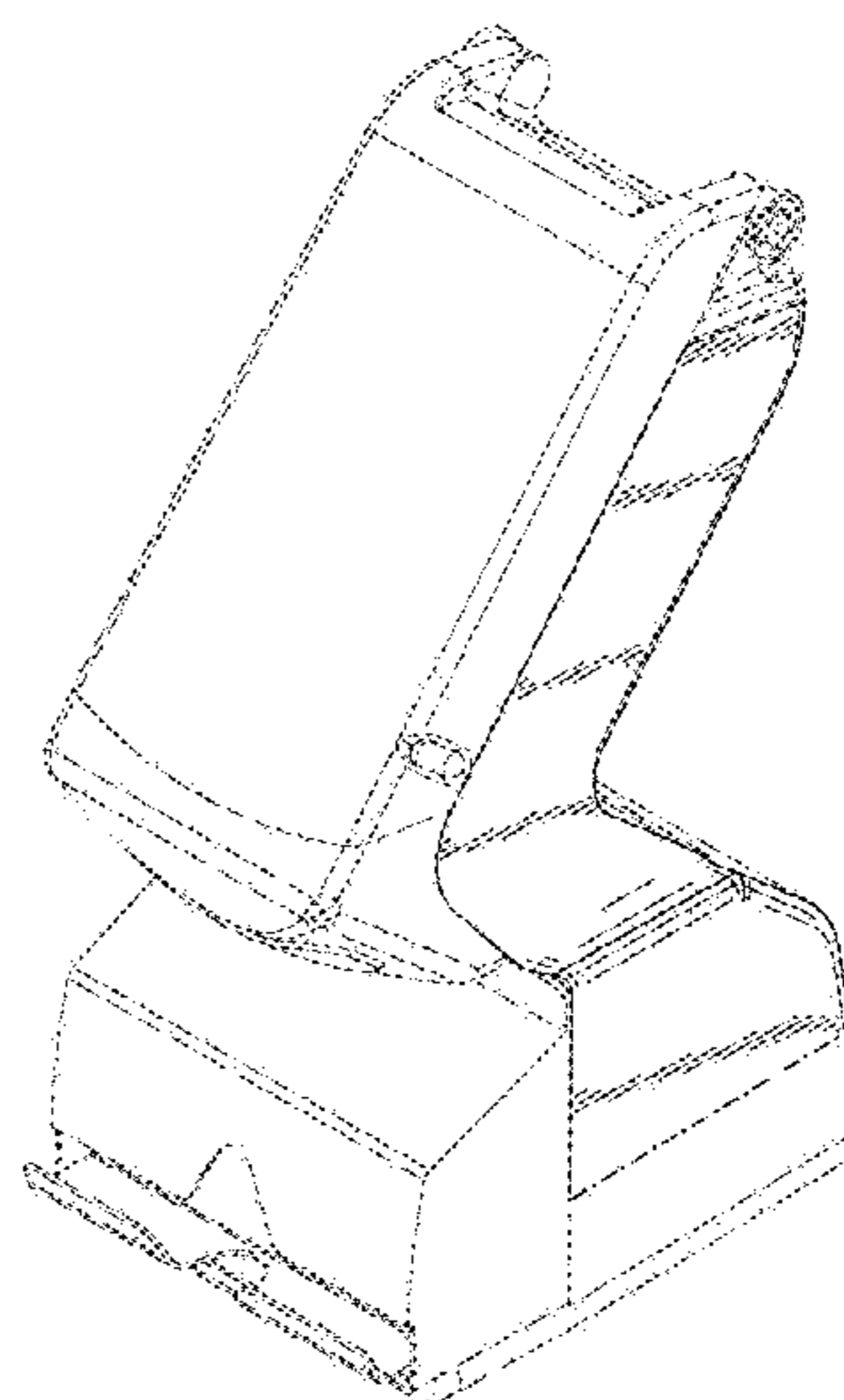
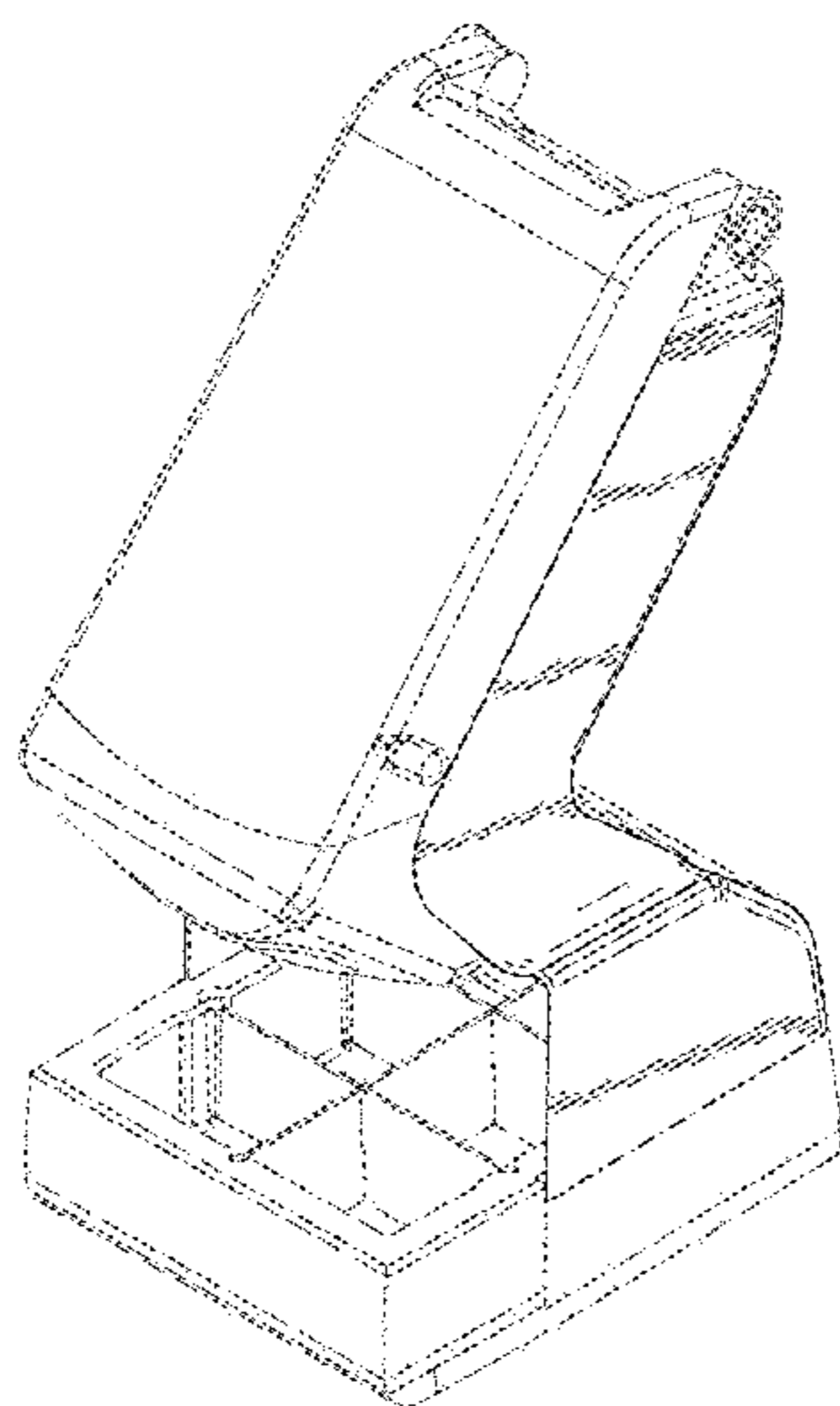
FIG. 13 is a top plan view of the dispenser shown in FIG. 8; and,

FIG. 14 is a bottom plan view of the dispenser shown in FIG. 8.

The broken lines in the figures illustrate environmental subject matter that form no part of the claimed design. The dot-dash broken lines of FIGS. 1, 3-6, 8, and 10-13 immediately adjacent to the claimed areas in the views represent the boundaries of the design and form no part thereof.

The broken lines in the figures illustrate environmental subject matter that form no part of the claimed design. The dot-dash broken lines of FIGS. 1, 3-6, 8, and 10-13 immediately adjacent to the claimed areas in the views represent the boundaries of the design and form no part thereof.

1 Claim, 14 Drawing Sheets



(56)

References Cited

U.S. PATENT DOCUMENTS

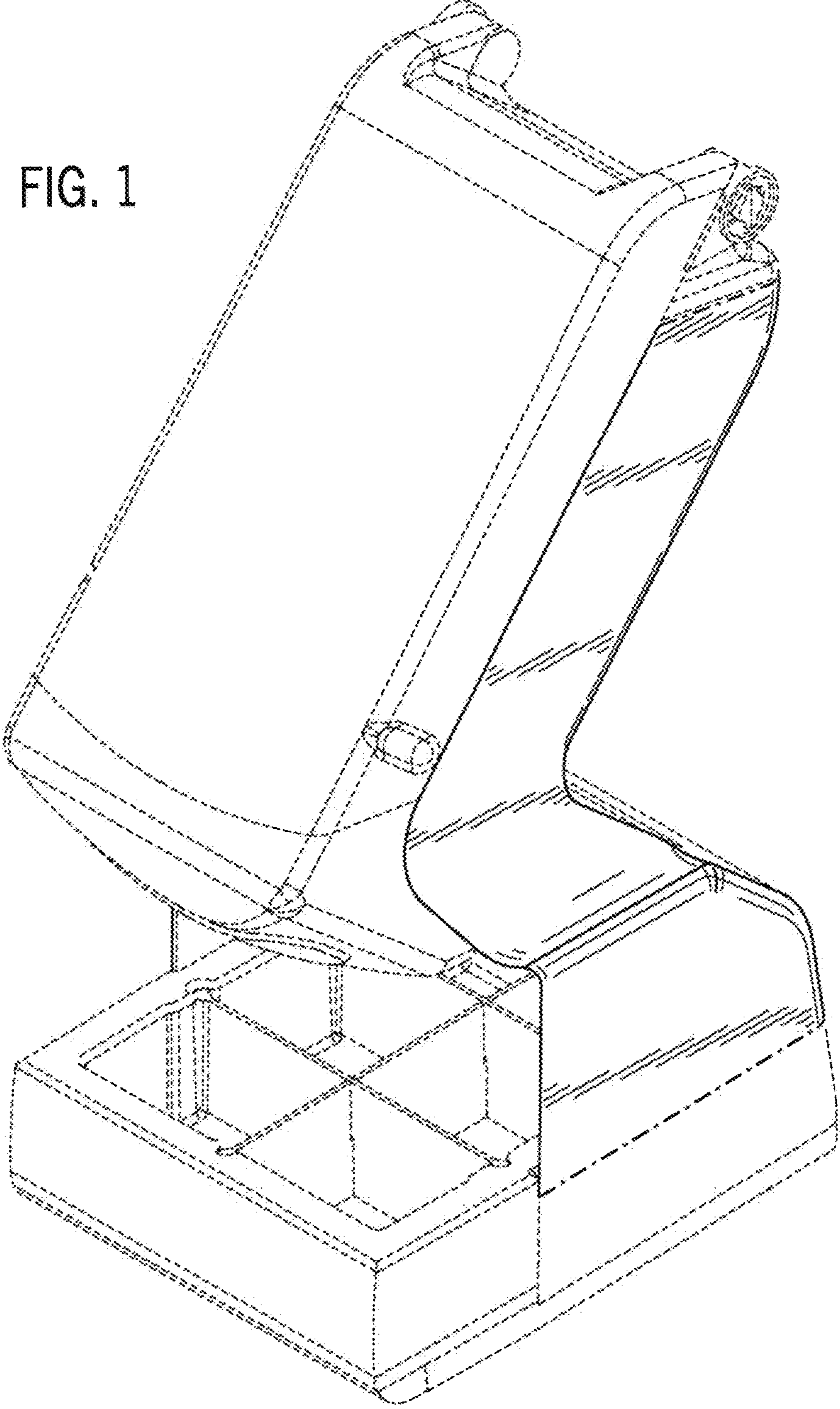
4,124,144	A	11/1978	Radek	
4,724,974	A	2/1988	Marqua et al.	
D342,852	S *	1/1994	Welch	D6/520
5,743,430	A	4/1998	Freixas	
5,960,988	A	10/1999	Freixas	
6,027,189	A	2/2000	Gunderson et al.	
D444,352	S *	7/2001	Tramontina	D7/631
D507,138	S *	7/2005	Hochtritt	D6/518
D550,999	S *	9/2007	Formon	D6/518
D552,902	S *	10/2007	Sadeh	D6/520
D562,026	S *	2/2008	Chen	D15/199
7,584,119	B2	9/2009	Armstrong	
D630,873	S *	1/2011	Kuehneman	D6/518
D675,851	S *	2/2013	Wilson	D6/518
D701,434	S *	3/2014	Wilson, Jr.	D7/631
2009/0050647	A1	2/2009	Kuenheman	
2012/0261506	A1 *	10/2012	Buelow	A47K 10/40 242/597.8
2013/0313276	A1	11/2013	Domit	
2015/0136623	A1	5/2015	Gooden	

FOREIGN PATENT DOCUMENTS

EP	2588449	A1	3/2013
WO	2013/037022	A1	3/2013

* cited by examiner

FIG. 1



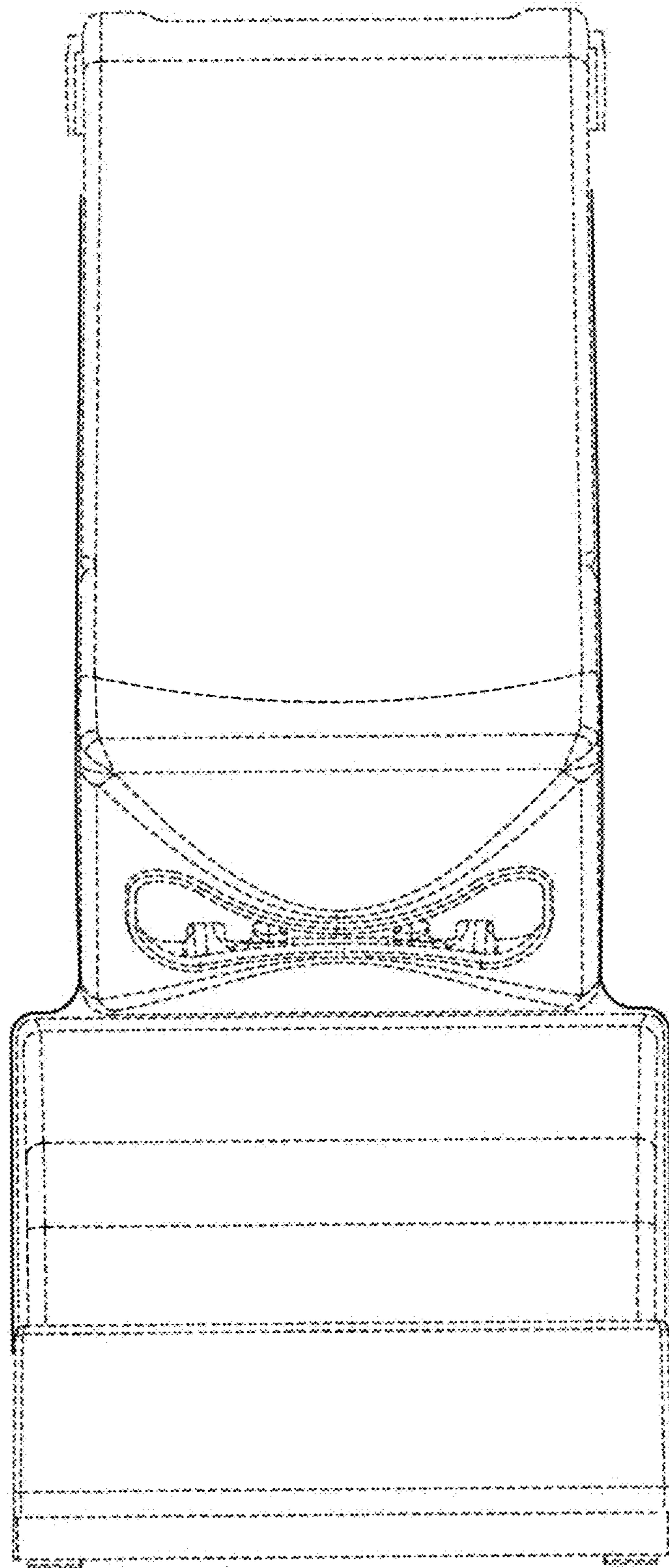


FIG. 2

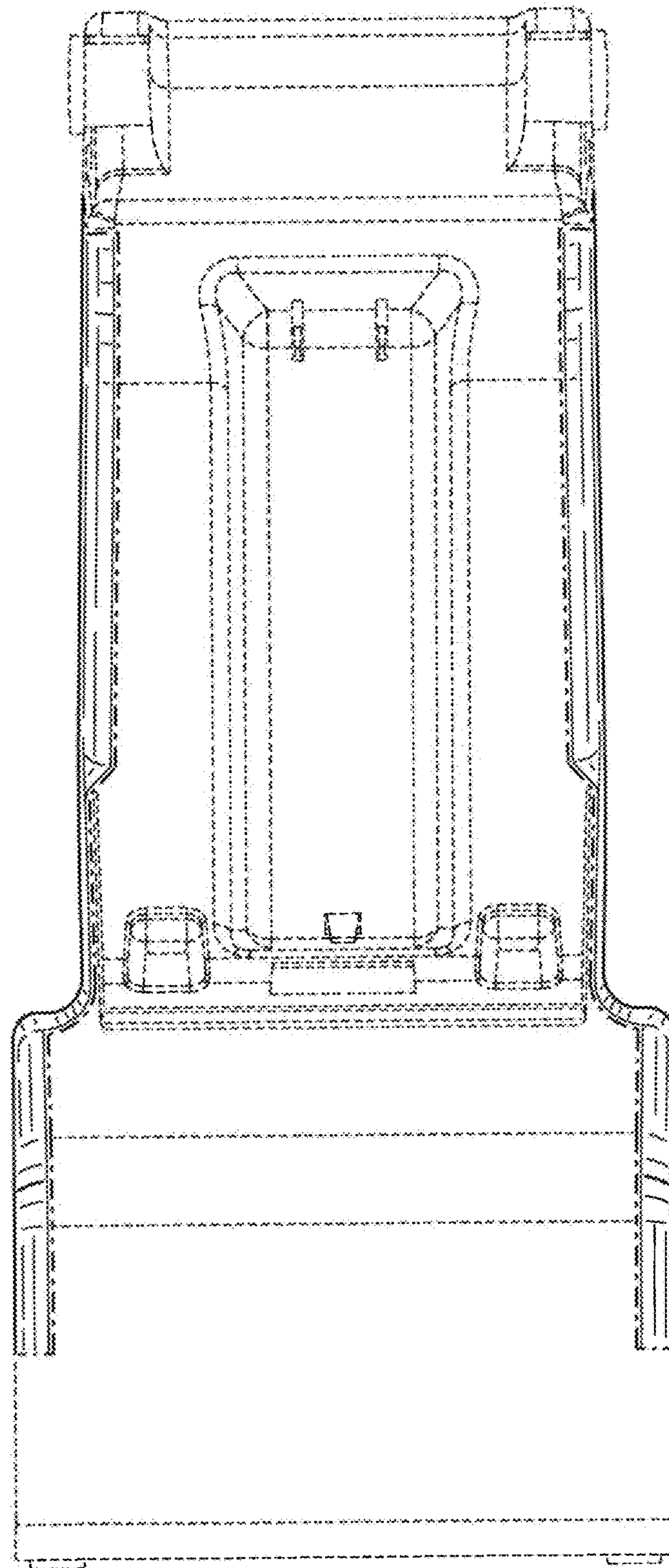
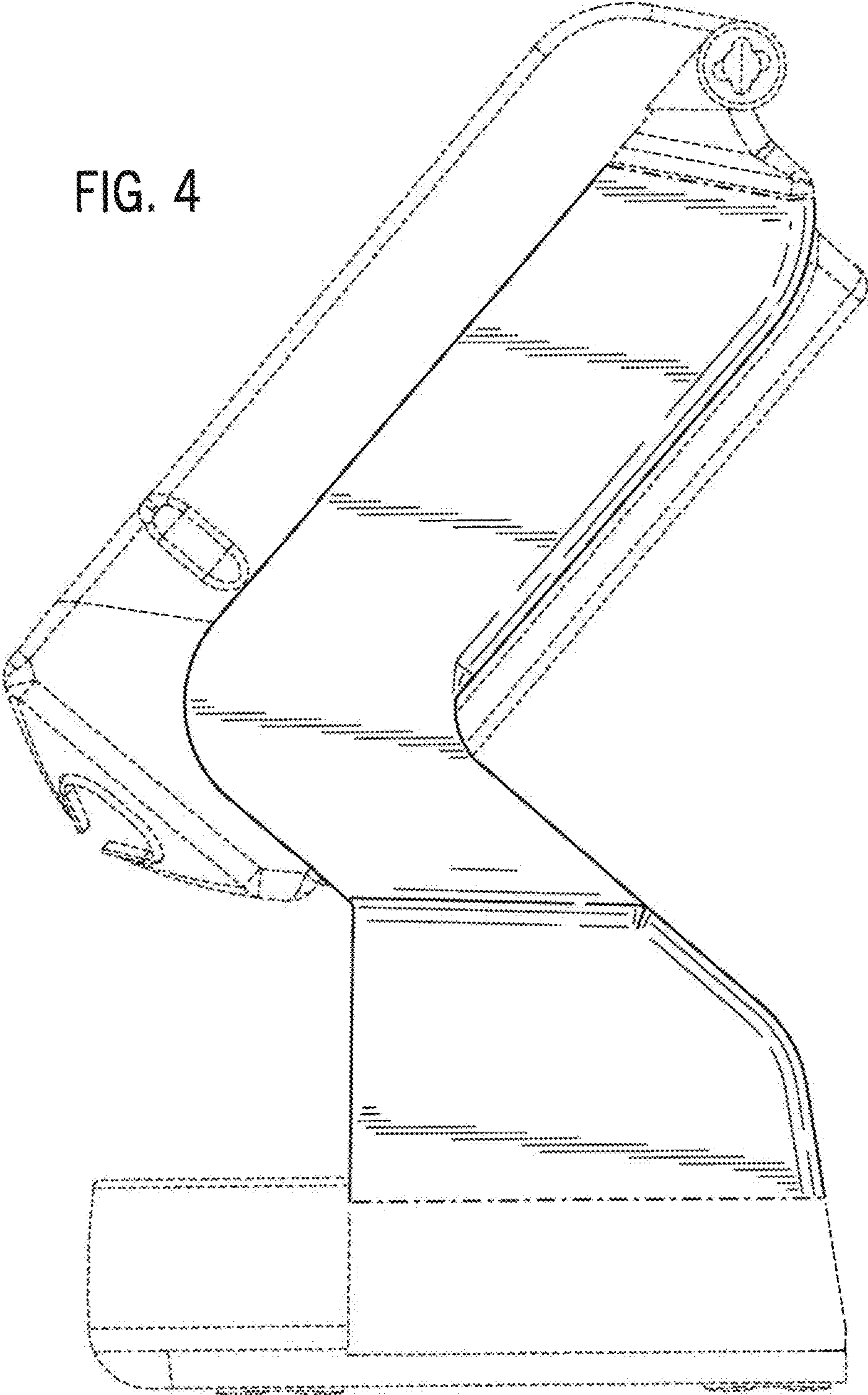


FIG. 3

FIG. 4



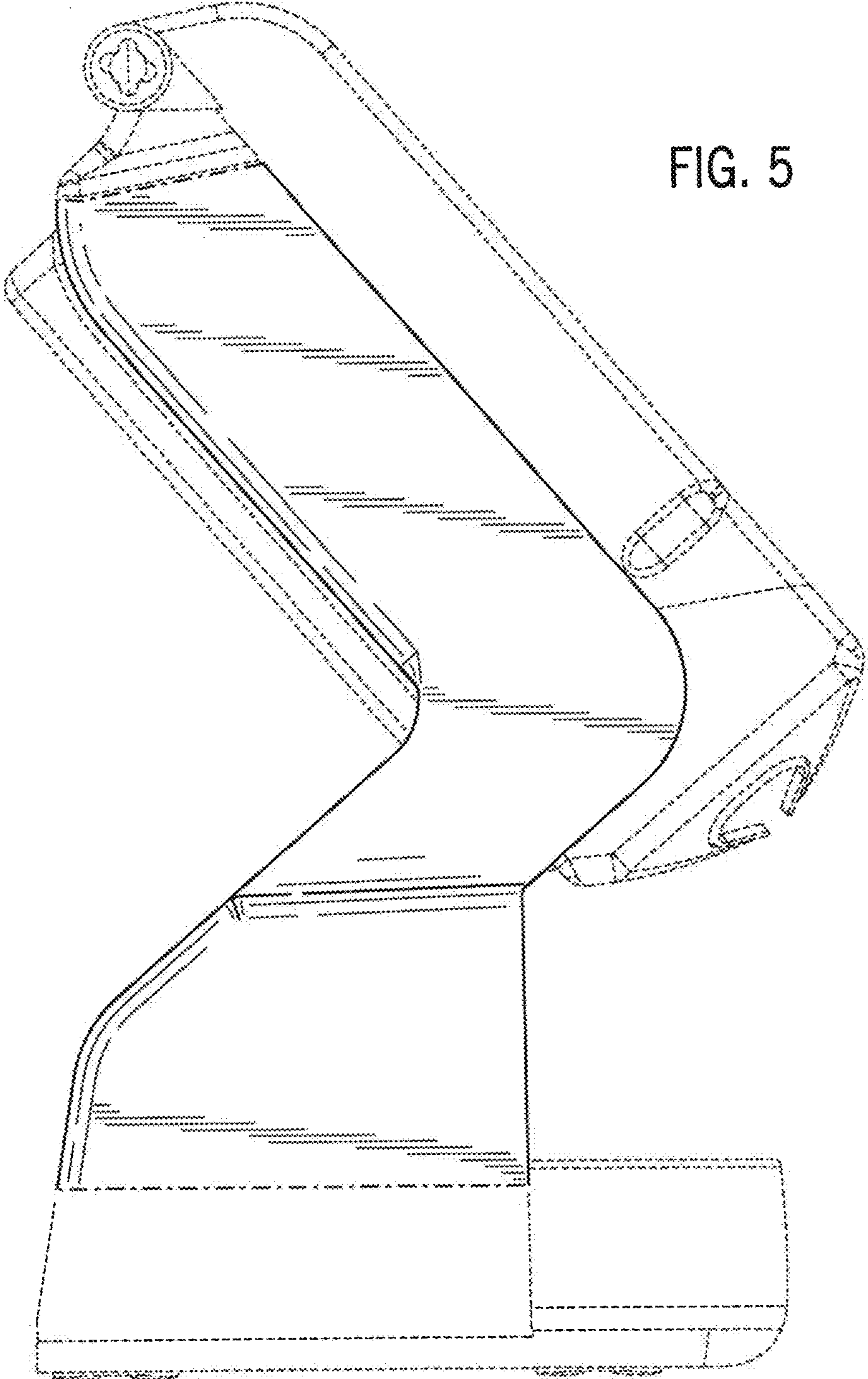


FIG. 5

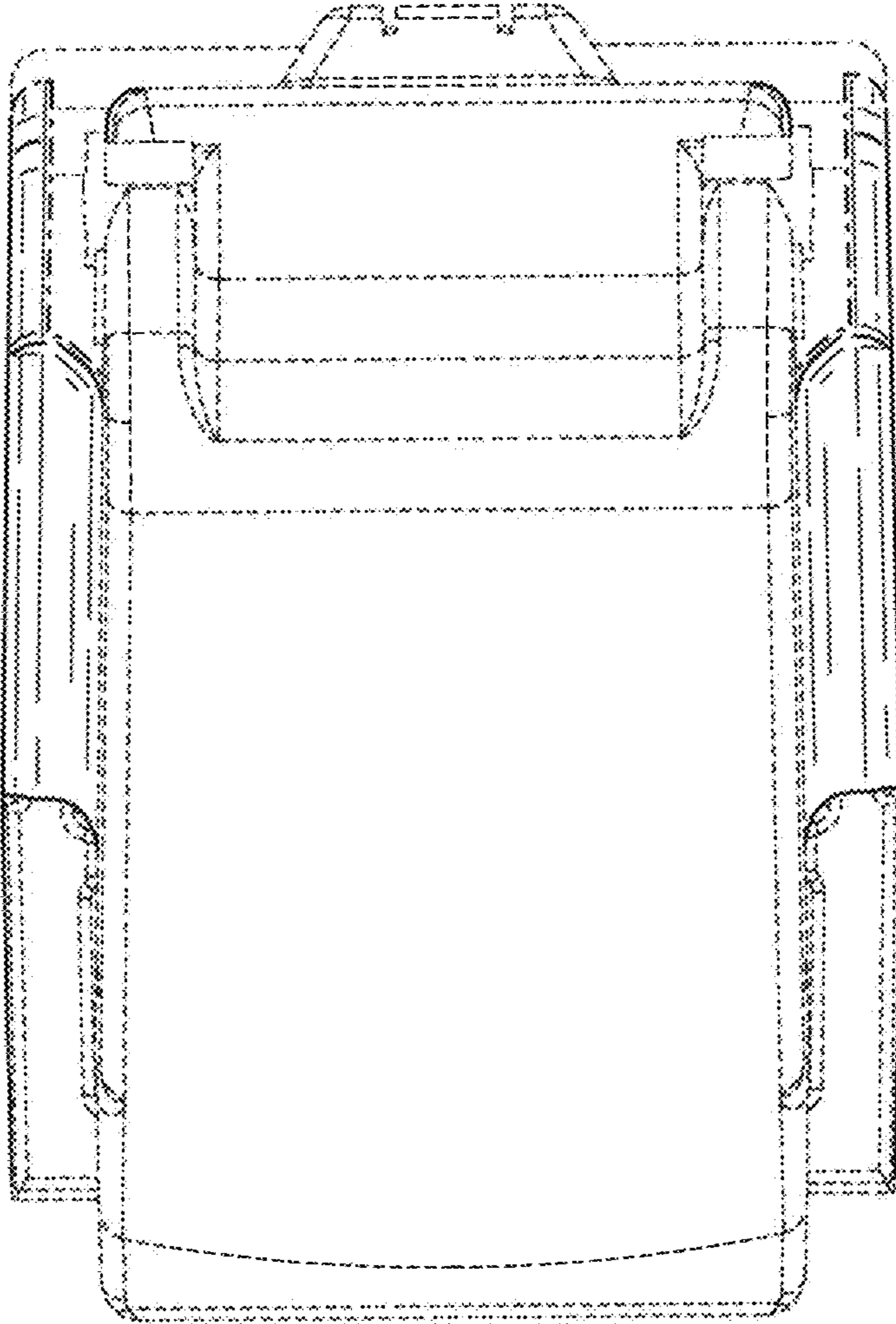


FIG. 6

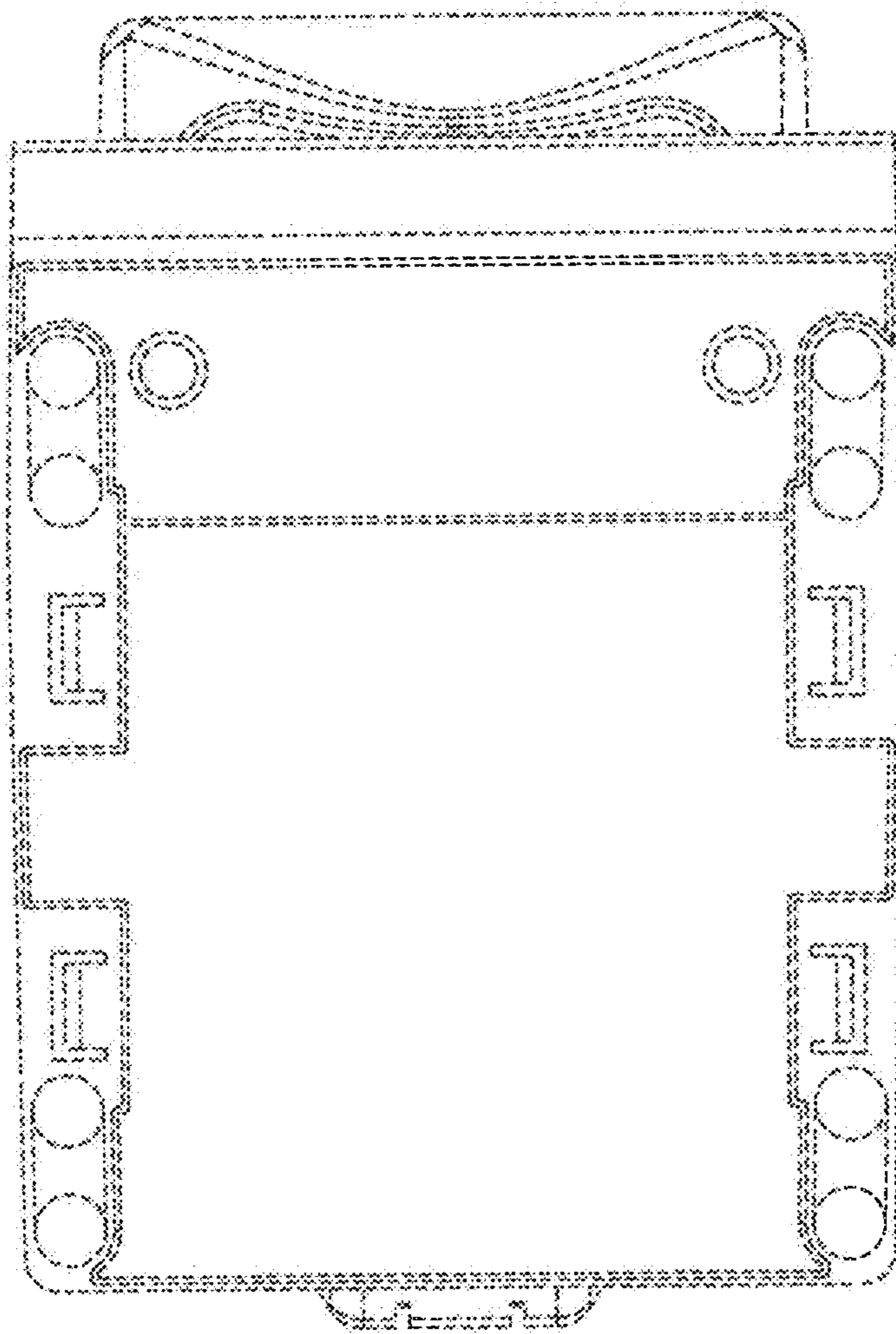
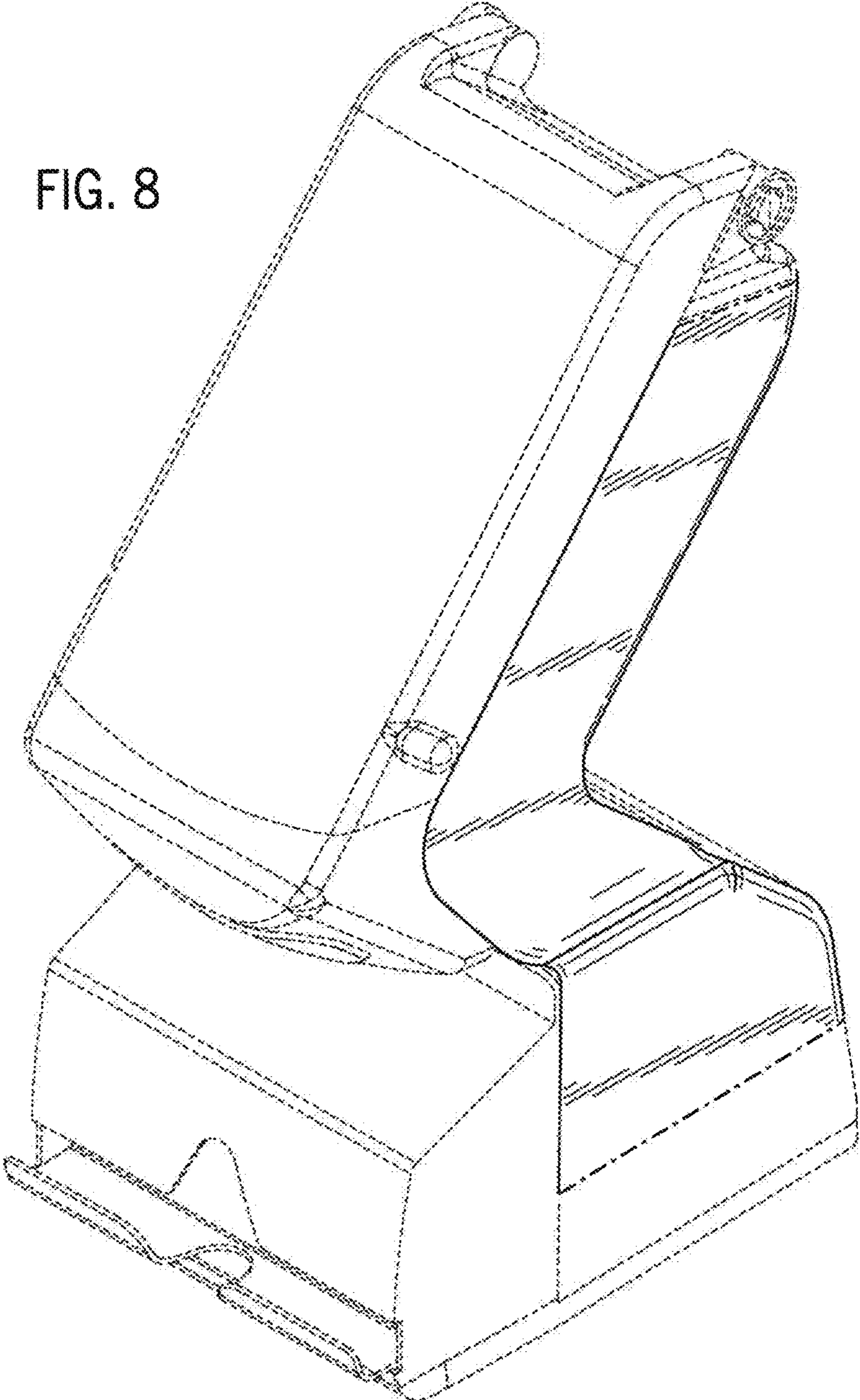


FIG. 7

FIG. 8



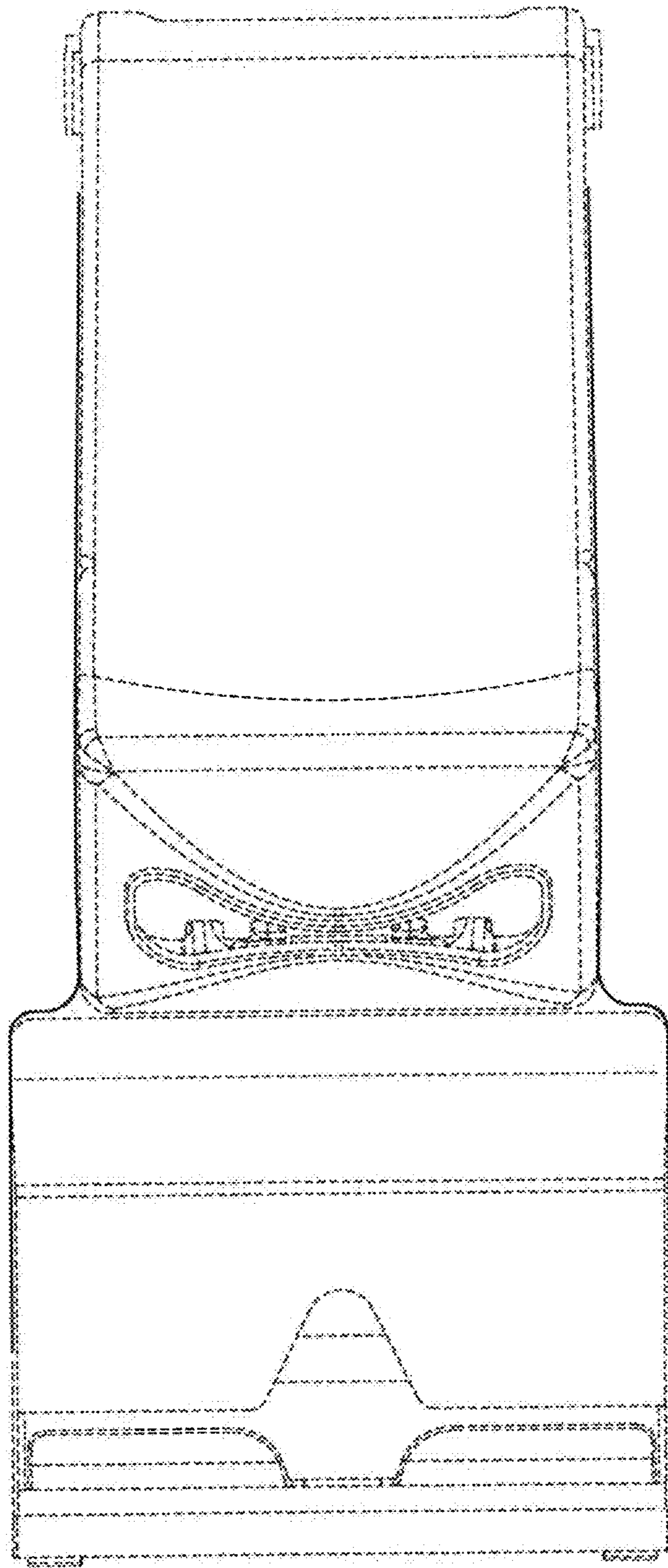


FIG. 9

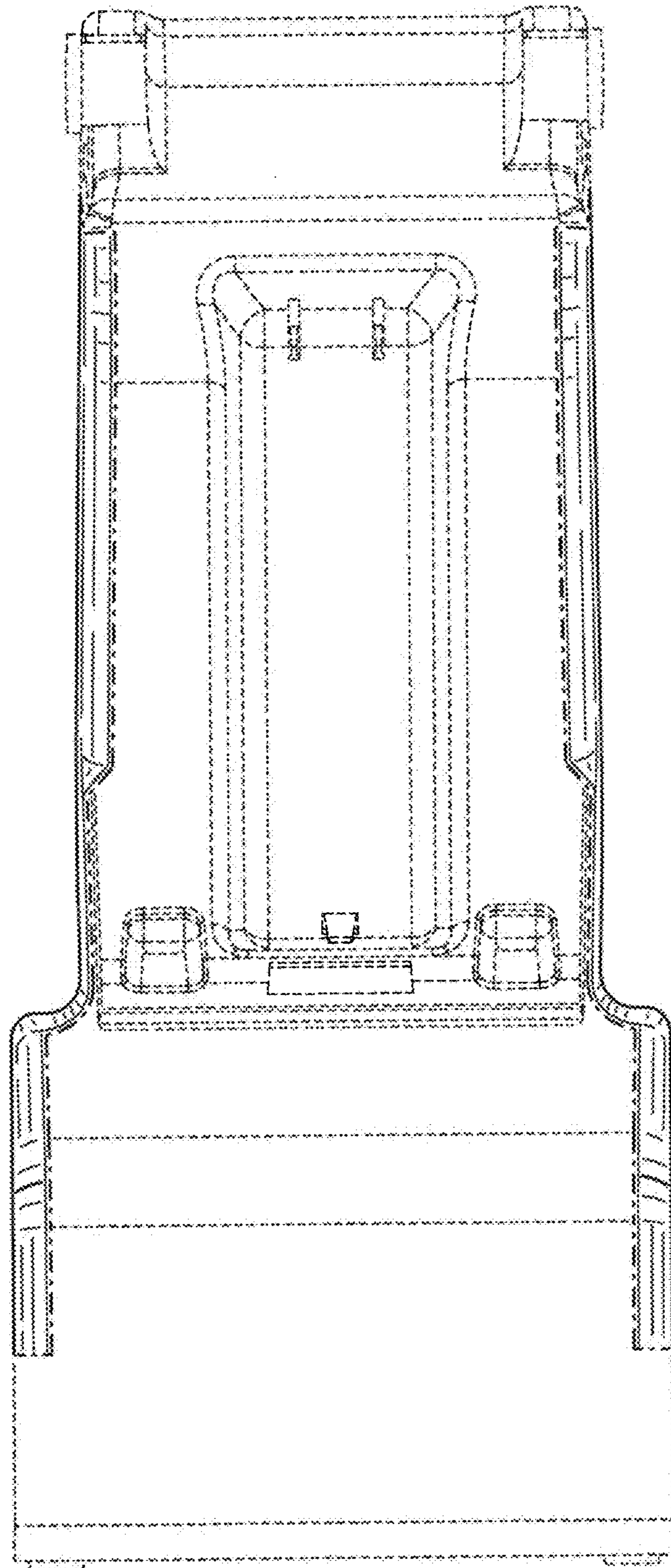
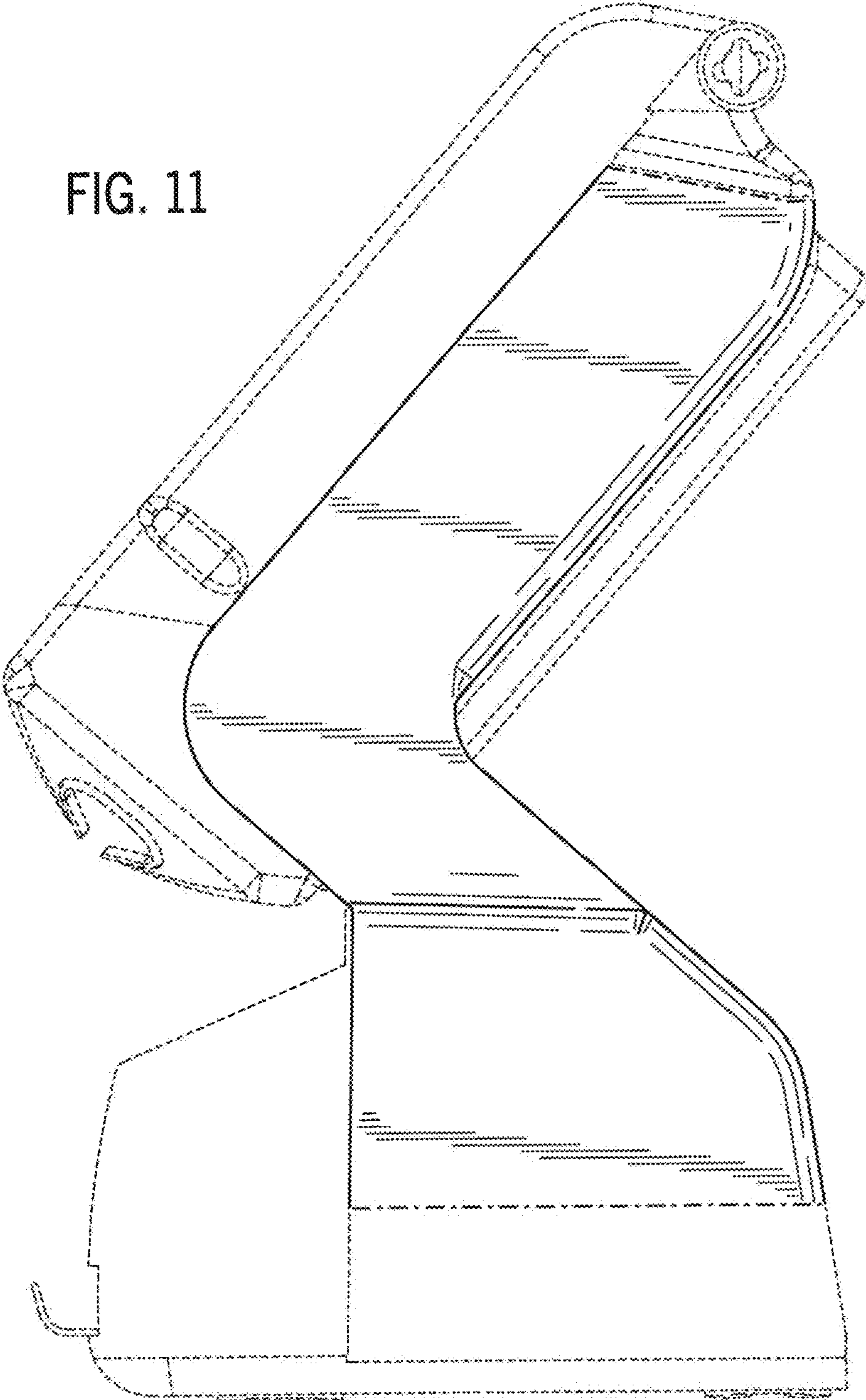


FIG. 10

FIG. 11



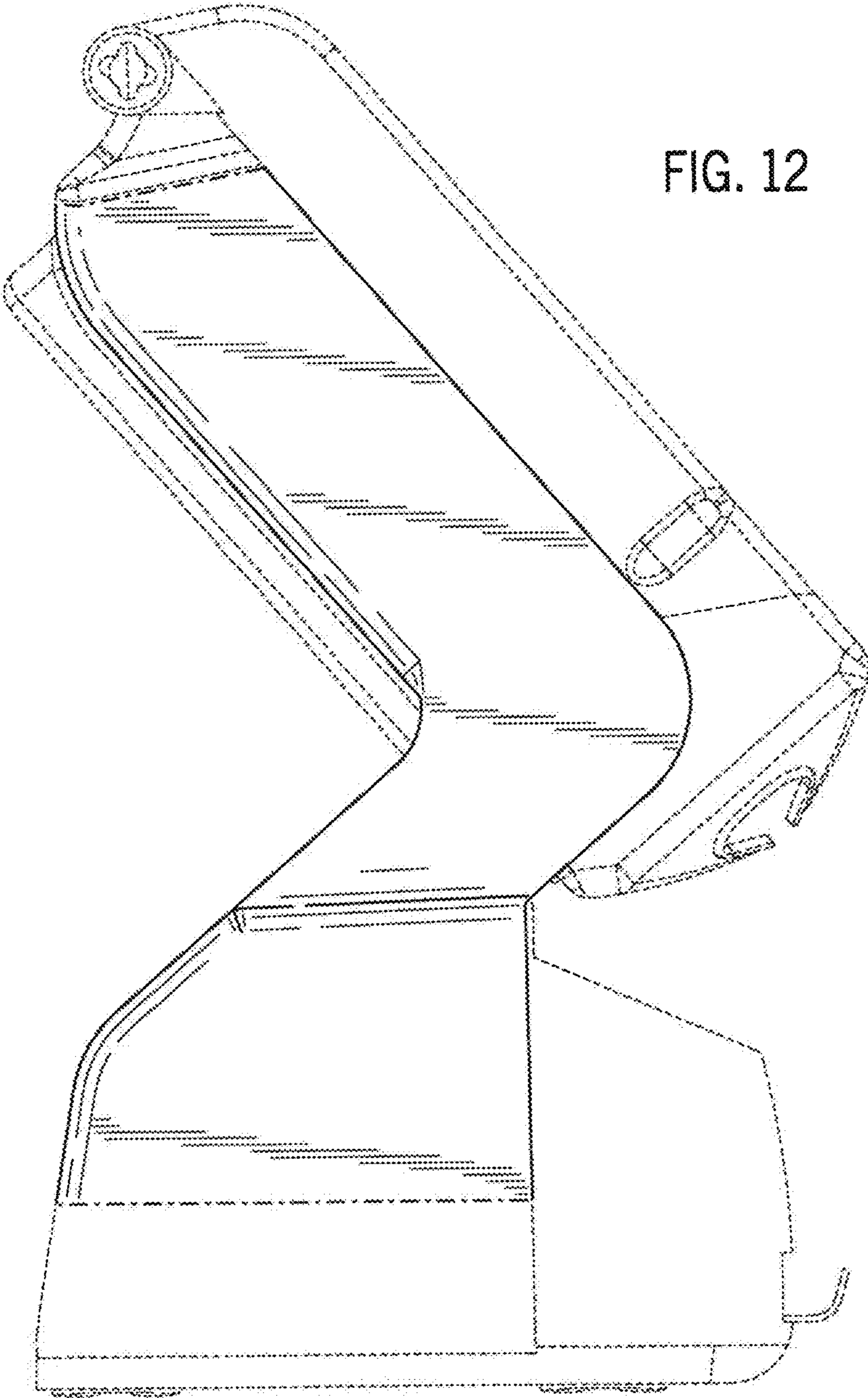


FIG. 12

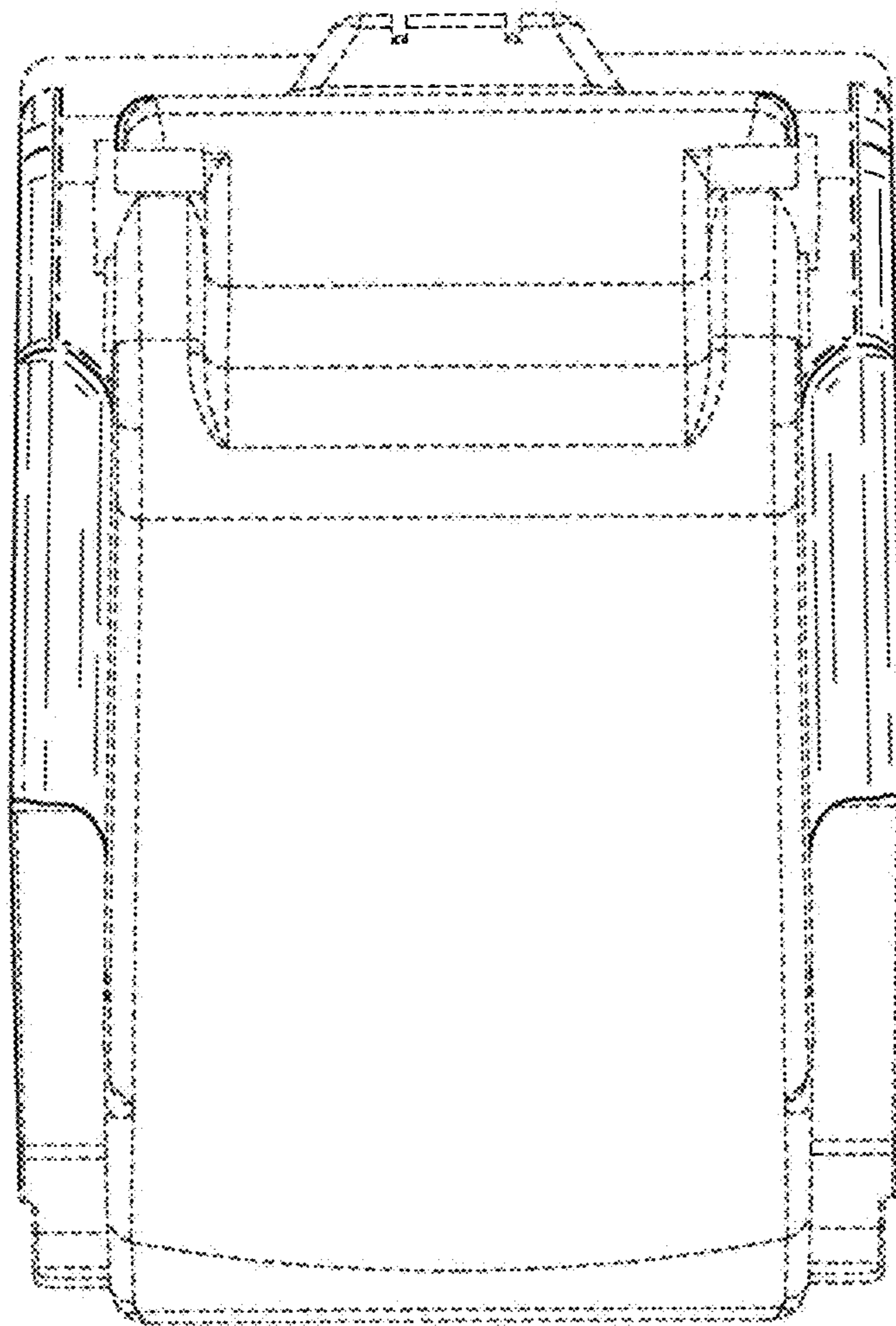


FIG. 13

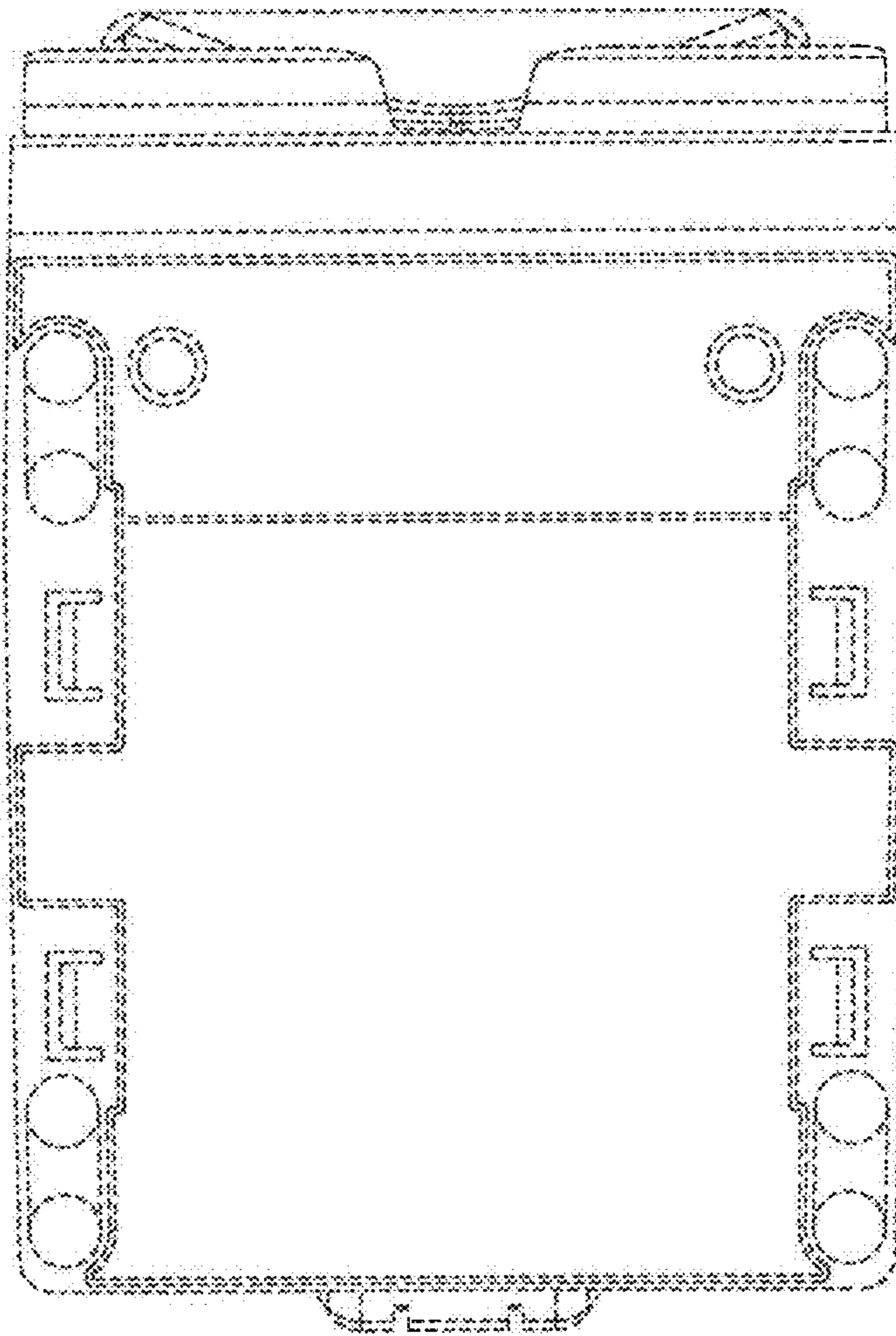


FIG. 14