



US00D832060S

(12) **United States Design Patent** (10) **Patent No.:** **US D832,060 S**
Neumann et al. (45) **Date of Patent:** **** Oct. 30, 2018**

(54) **FOOD STORAGE BOX**
(71) Applicant: **BOOLABOX, INC.**, Neward, DE (US)
(72) Inventors: **Maia Magdalena Neumann**, Cos Cob, CT (US); **Daniela Paone Devitt**, Doylestown, PA (US)
(73) Assignee: **BOOLABOX, INC.**, Newark, DE (US)
(**) Term: **15 Years**
(21) Appl. No.: **29/626,847**
(22) Filed: **Nov. 21, 2017**

Related U.S. Application Data

(60) Division of application No. 29/575,685, filed on Aug. 26, 2016, now Pat. No. Des. 813,614, which is a continuation of application No. 12/946,996, filed on Nov. 16, 2010.
(51) **LOC (11) Cl.** **07-07**
(52) **U.S. Cl.**
USPC **D7/629**
(58) **Field of Classification Search**
USPC D7/601, 602, 629, 630, 701-708, 550.1, D7/553.1-554.4, 709; D19/77, 78, 92; D3/201-203.8, 273, 274
CPC A45C 11/20; A01K 5/0114; A01K 7/00; B65D 1/24; B65D 1/00; B65D 1/36; B65D 1/34; B65D 81/3813; B65D 81/3834; B65D 5/2047; B65D 24/2897; B65D 25/04; B65D 21/00; B65D 21/0209; A47G 19/02; A47G 23/06; A47B 23/002
See application file for complete search history.

(56) **References Cited**
U.S. PATENT DOCUMENTS
1,641,650 A 9/1927 Walker
2,096,825 A 10/1937 Roman
D122,589 S 9/1940 Bastress
2,629,042 A 2/1953 Burleyson
3,016,129 A 1/1962 King, III
3,025,947 A 3/1962 Hammer
3,240,610 A 3/1966 Cease
3,532,247 A 10/1970 Bridges
3,799,386 A * 3/1974 Madalin B65D 25/2897
206/564
3,850,333 A * 11/1974 Reichert A45C 11/20
206/545
4,013,798 A * 3/1977 Goltsos B65D 81/3453
219/729
4,225,052 A 9/1980 Tector et al.
4,346,813 A 8/1982 Cho et al.
4,545,487 A 10/1985 Asmus
4,969,558 A 11/1990 Fisher
5,027,972 A 7/1991 Bartholomew
D318,985 S * 8/1991 Szablak D30/133
D320,909 S * 10/1991 Szablak D30/133

(Continued)

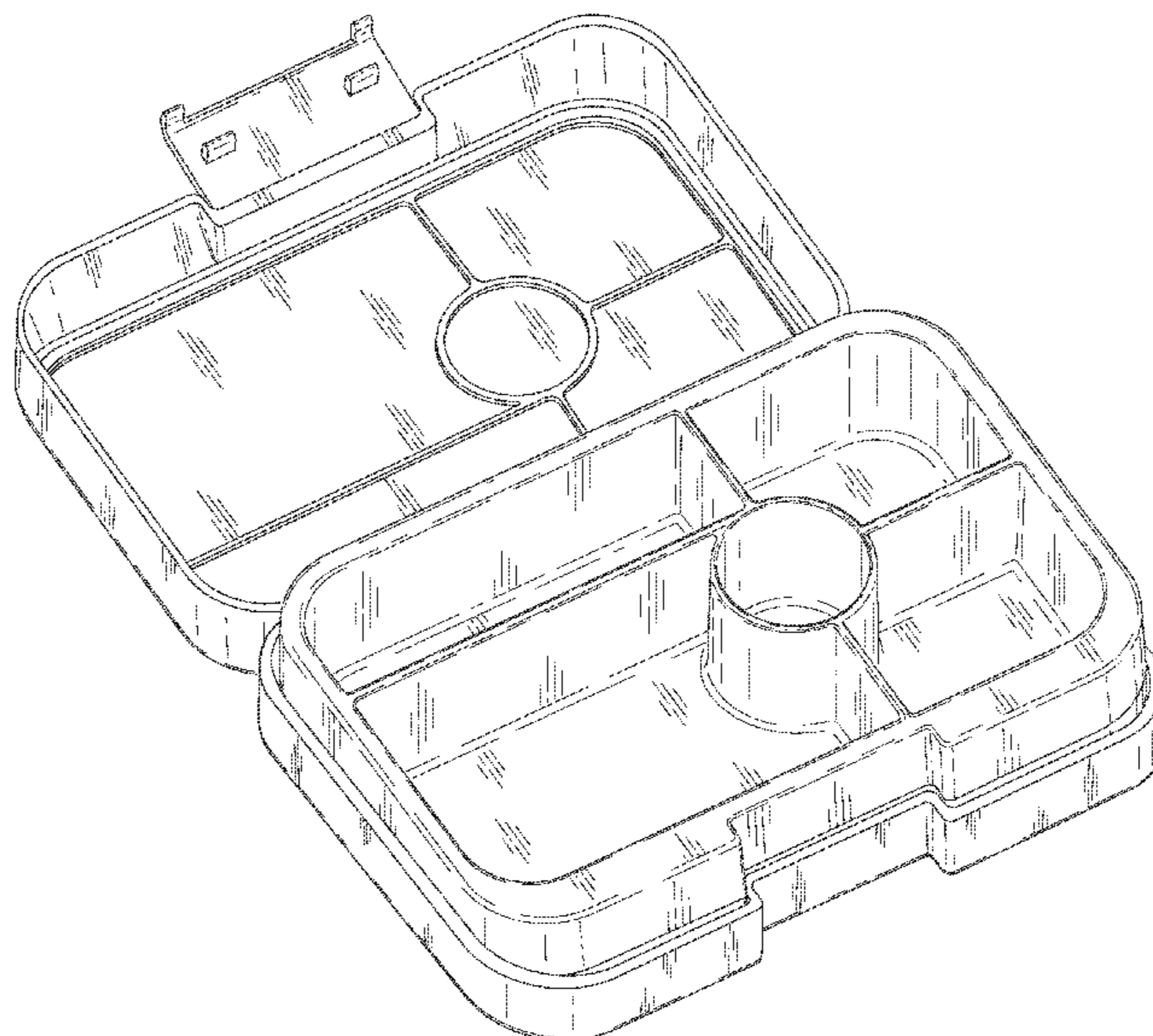
Primary Examiner — Terry A Wallace
(74) *Attorney, Agent, or Firm* — Norton Rose Fulbright US LLP

(57) **CLAIM**
The ornamental design for a food storage box, as shown and described.

DESCRIPTION

FIG. 1 is a perspective view of the open food storage box. FIG. 2 is a perspective view of the closed food storage box. FIG. 3 is a top view of the closed food storage box. FIG. 4 is a bottom view of the closed food storage box. FIG. 5 is a front view of the closed food storage box. FIG. 6 is a back view of the closed food storage box; and, FIG. 7 is a side view of the closed food storage box, where left and right side views are identical.

1 Claim, 2 Drawing Sheets



(56)

References Cited

U.S. PATENT DOCUMENTS

5,167,973 A * 12/1992 Snyder B65D 1/36
206/222

5,295,475 A 3/1994 Kaneko

5,328,051 A 7/1994 Potter et al.

5,337,913 A 8/1994 Fukuda

5,368,183 A 11/1994 Singer

D357,034 S * 4/1995 King D19/77

5,427,265 A 6/1995 Cautereels et al.

5,501,338 A 3/1996 Preston

5,671,846 A * 9/1997 Frank A45C 11/20
190/111

5,887,749 A * 3/1999 Schommer A01K 5/0114
206/564

6,131,760 A 10/2000 Huang

D440,118 S * 4/2001 Claffy D7/553.1

6,257,403 B1 7/2001 Feldmeier

6,296,488 B1 10/2001 Brenkus et al.

7,326,428 B2 2/2008 Weir

D600,504 S * 9/2009 Clark D7/553.5

8,328,034 B2 * 12/2012 Miros A45C 11/20
220/23.86

8,376,177 B2 * 2/2013 Castner A45C 11/20
206/561

D711,196 S 8/2014 May et al.

2003/0006156 A1 * 1/2003 McCracken B44C 7/02
206/373

2006/0201950 A1 * 9/2006 Liu B65D 1/24
220/526

2009/0186132 A1 7/2009 Mangino et al.

2010/0224531 A1 * 9/2010 Claffy A47G 23/06
206/561

* cited by examiner

FIG. 1

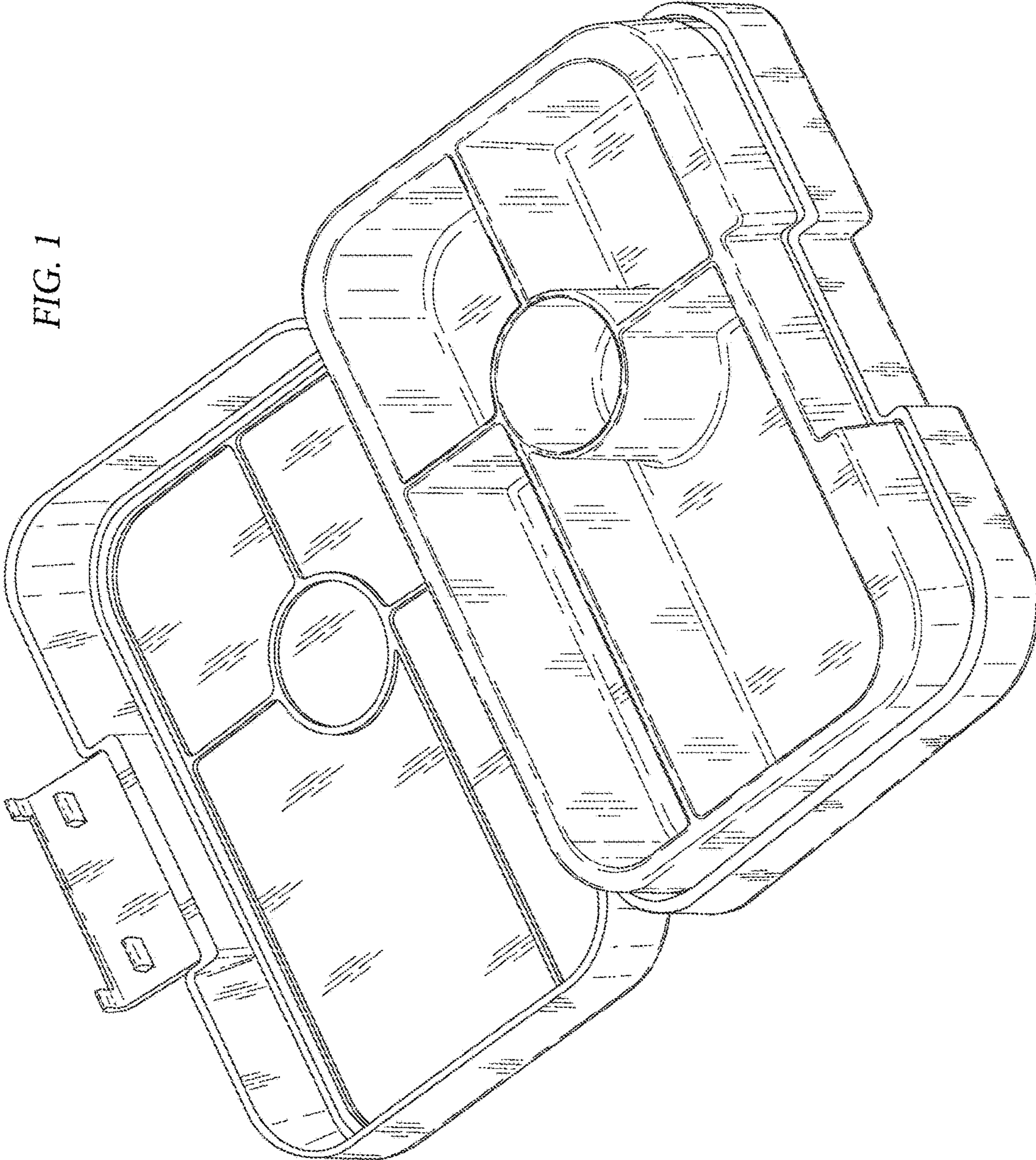


FIG. 2

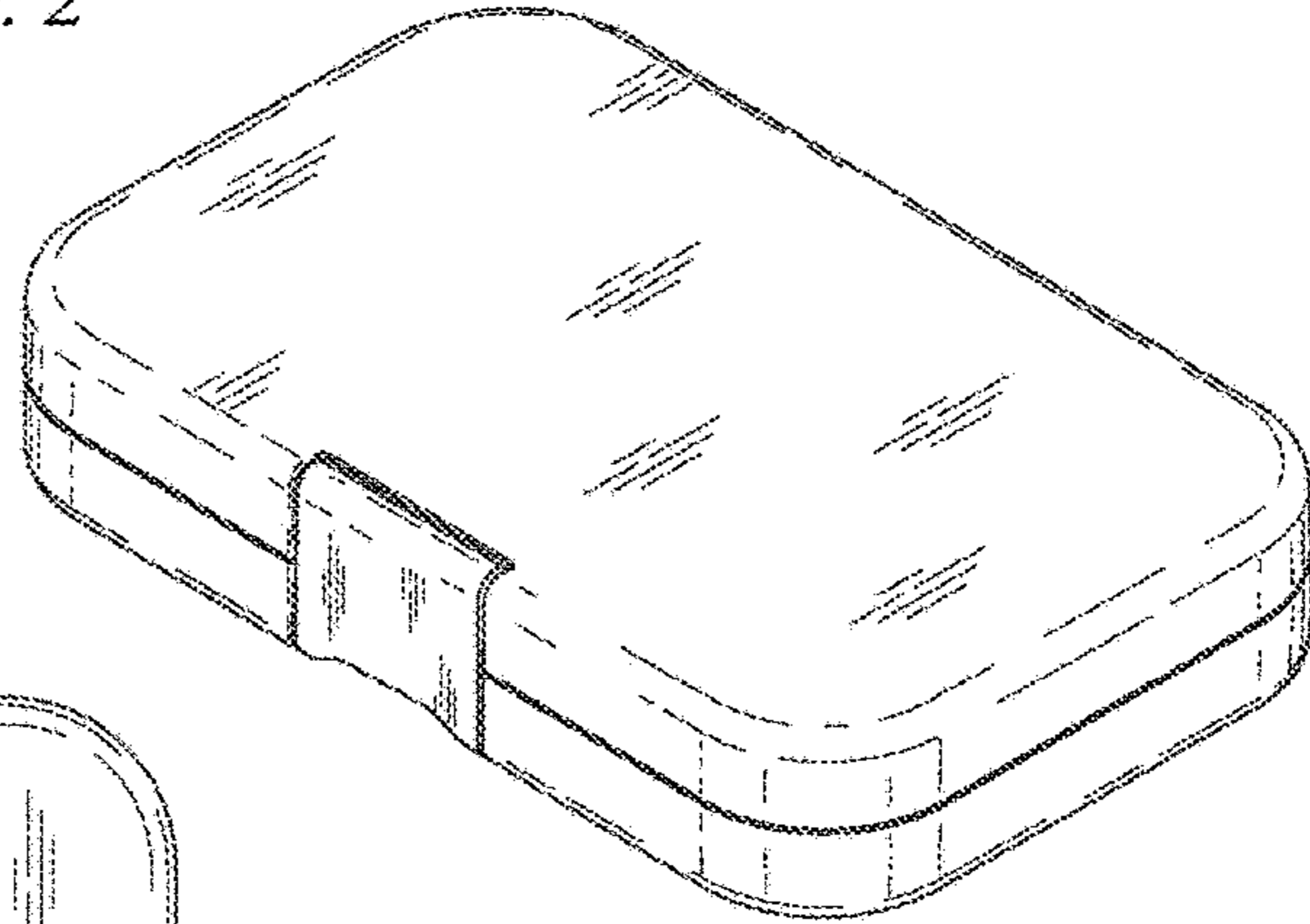


FIG. 3

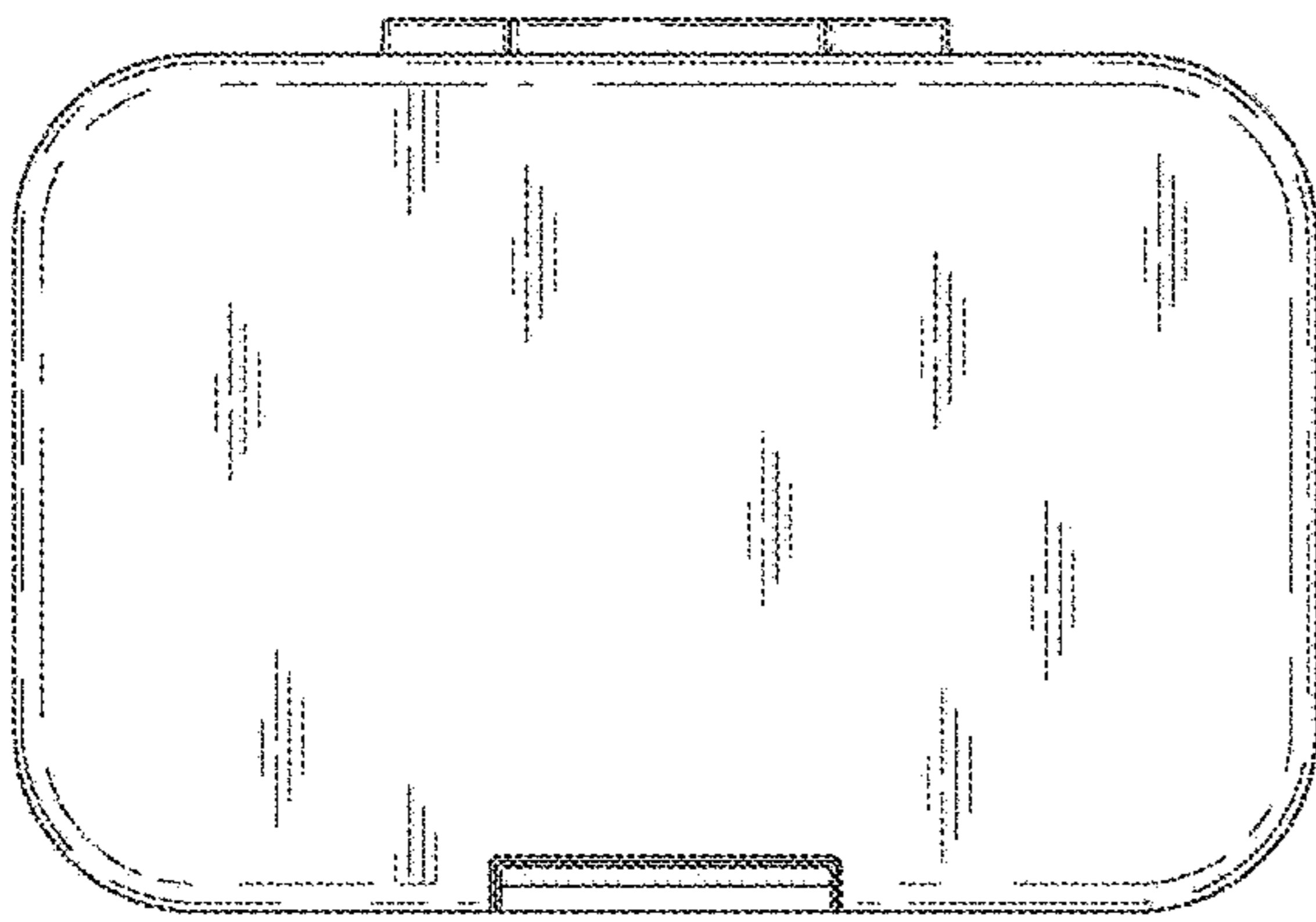


FIG. 4

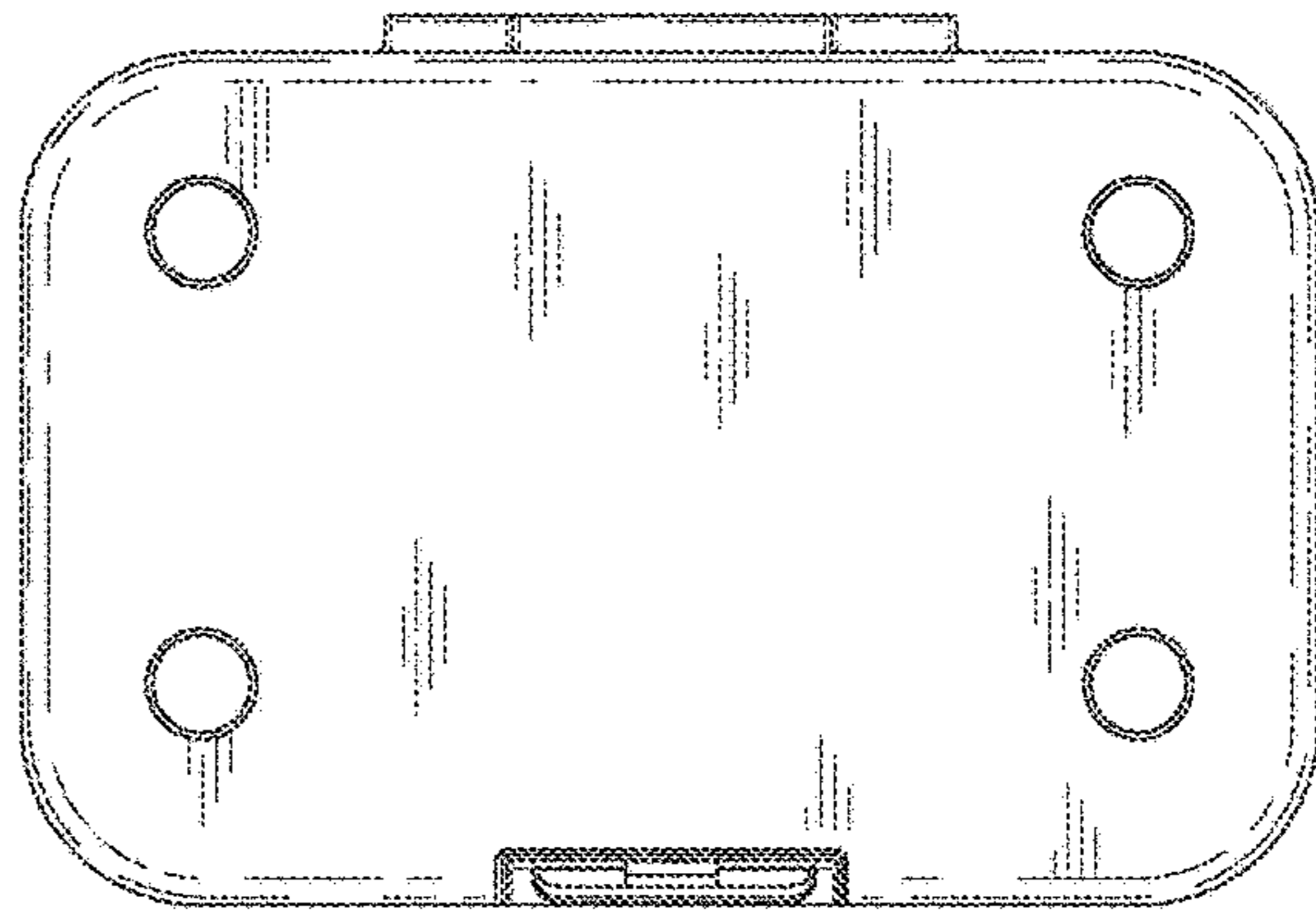


FIG. 5

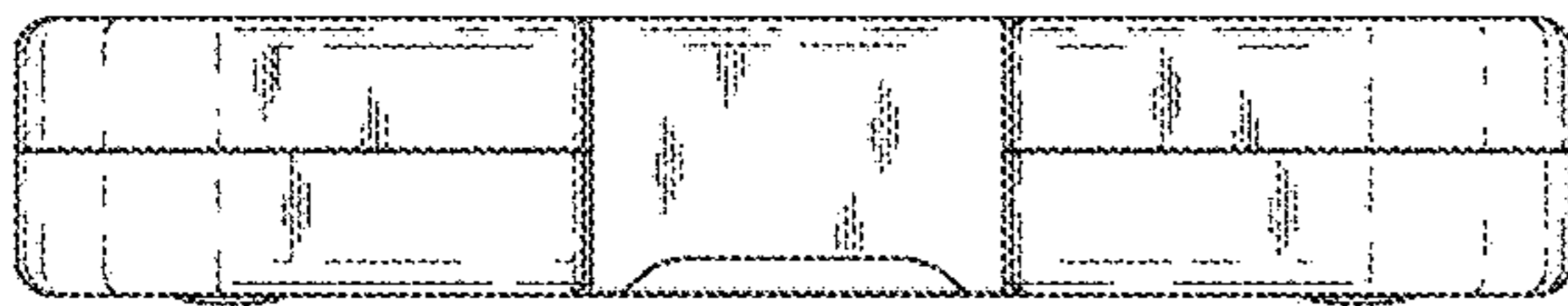


FIG. 6

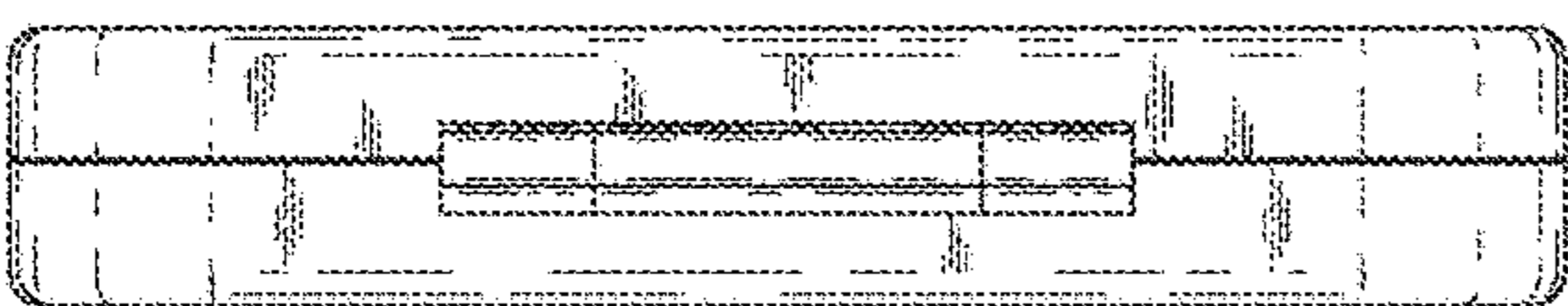


FIG. 7

