

US00D832059S

(12) **United States Design Patent**
Lichtenberg

(10) **Patent No.:** **US D832,059 S**

(45) **Date of Patent:** **** Oct. 30, 2018**

(54) **BEVERAGE FLOAT**

7,264,134 B2 * 9/2007 Tulp A47G 23/0216
220/739

(71) Applicant: **Steven J. Lichtenberg**, Mason, OH
(US)

D658,179 S * 4/2012 Ikeda D14/401
D761,626 S * 7/2016 Thomason D7/625

(72) Inventor: **Steven J. Lichtenberg**, Mason, OH
(US)

* cited by examiner

(**) Term: **15 Years**

Primary Examiner — Freda S Nunn

(21) Appl. No.: **29/616,175**

(74) *Attorney, Agent, or Firm* — Neal O. Willmann

(22) Filed: **Sep. 2, 2017**

(51) **LOC (11) Cl.** **07-06**

(52) **U.S. Cl.**
USPC **D7/624.1**

(58) **Field of Classification Search**

USPC D7/619.1-625, 604, 606; D21/440, 597,
D21/599, 808

CPC E04H 4/14; A47G 23/0216; A47G 23/02;
A47G 23/03; A47G 23/06; A47G 23/23;
A47G 23/032; A47G 23/0608; A47G
23/0225; A47G 2200/02; A47G 19/2283;
A47G 21/16; A45C 2200/20; A45F 5/02;
A47K 1/08; B65D 25/00; B65D 25/04;
B60N 3/103

See application file for complete search history.

(56) **References Cited**

U.S. PATENT DOCUMENTS

5,447,764 A * 9/1995 Langford A47G 23/0216
220/560
D487,892 S * 3/2004 Ogura D14/356

(57) **CLAIM**

The ornamental design for a beverage float, as shown and described.

DESCRIPTION

FIG. 1 is a perspective view of a beverage float showing my new design in its environment;

FIG. 2 is a bottom perspective view thereof;

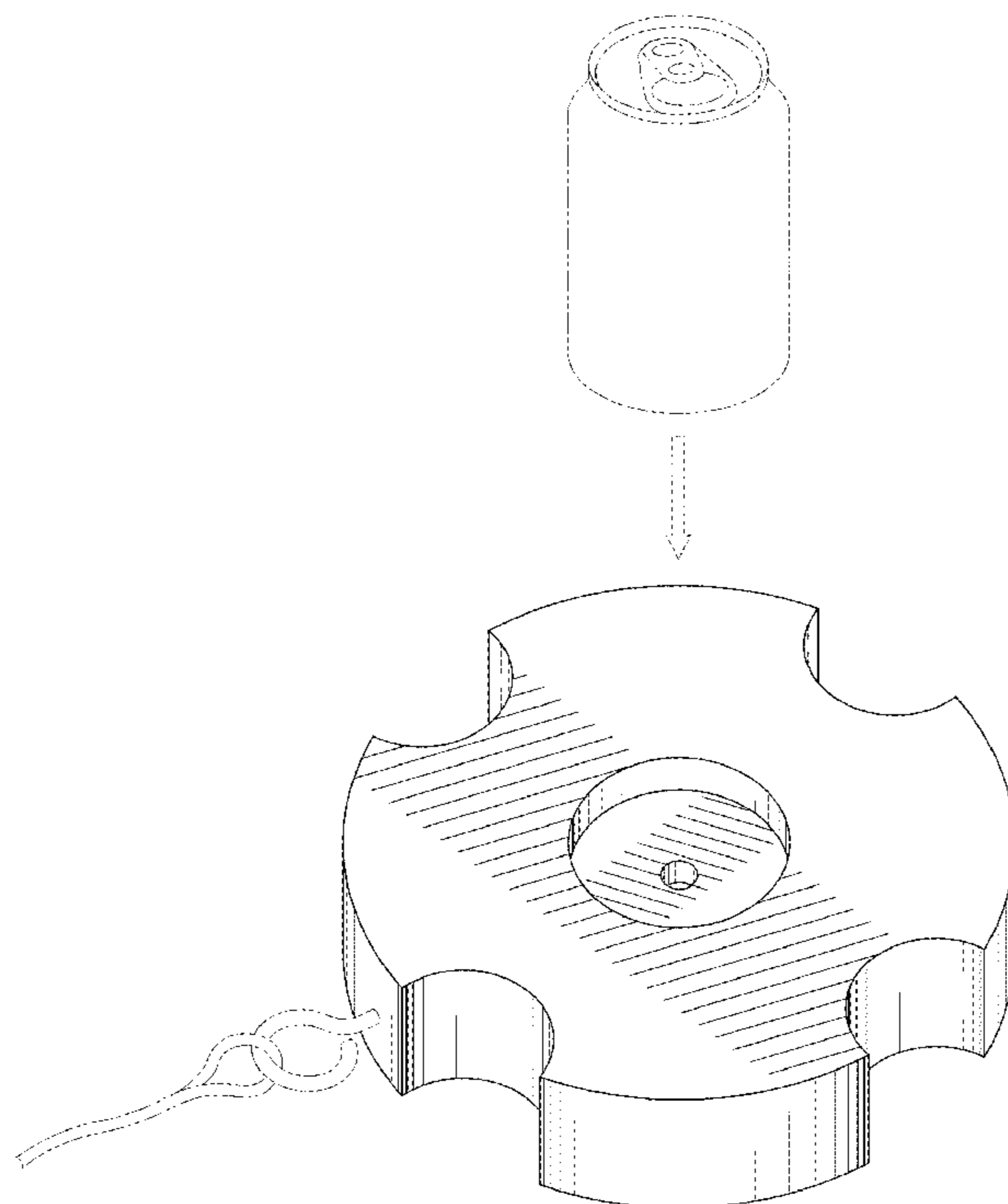
FIG. 3 is a side elevational view thereof, all sides being identical;

FIG. 4 is a top plan view thereof; and,

FIG. 5 is a bottom plan view thereof.

The broken lines in the drawing are used to illustrate the environment of the beverage float and form no part of the claimed design.

1 Claim, 5 Drawing Sheets



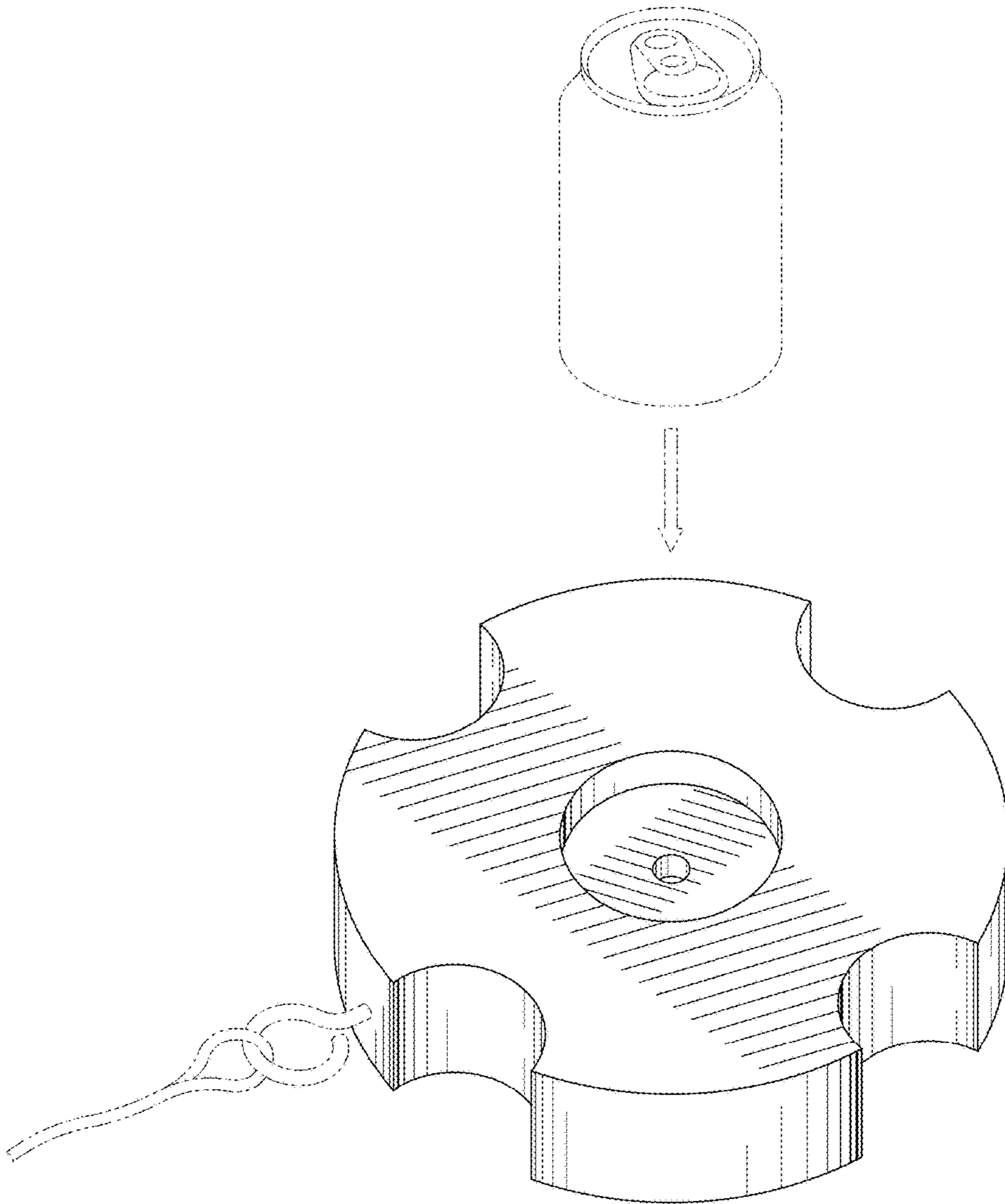


Fig. 1

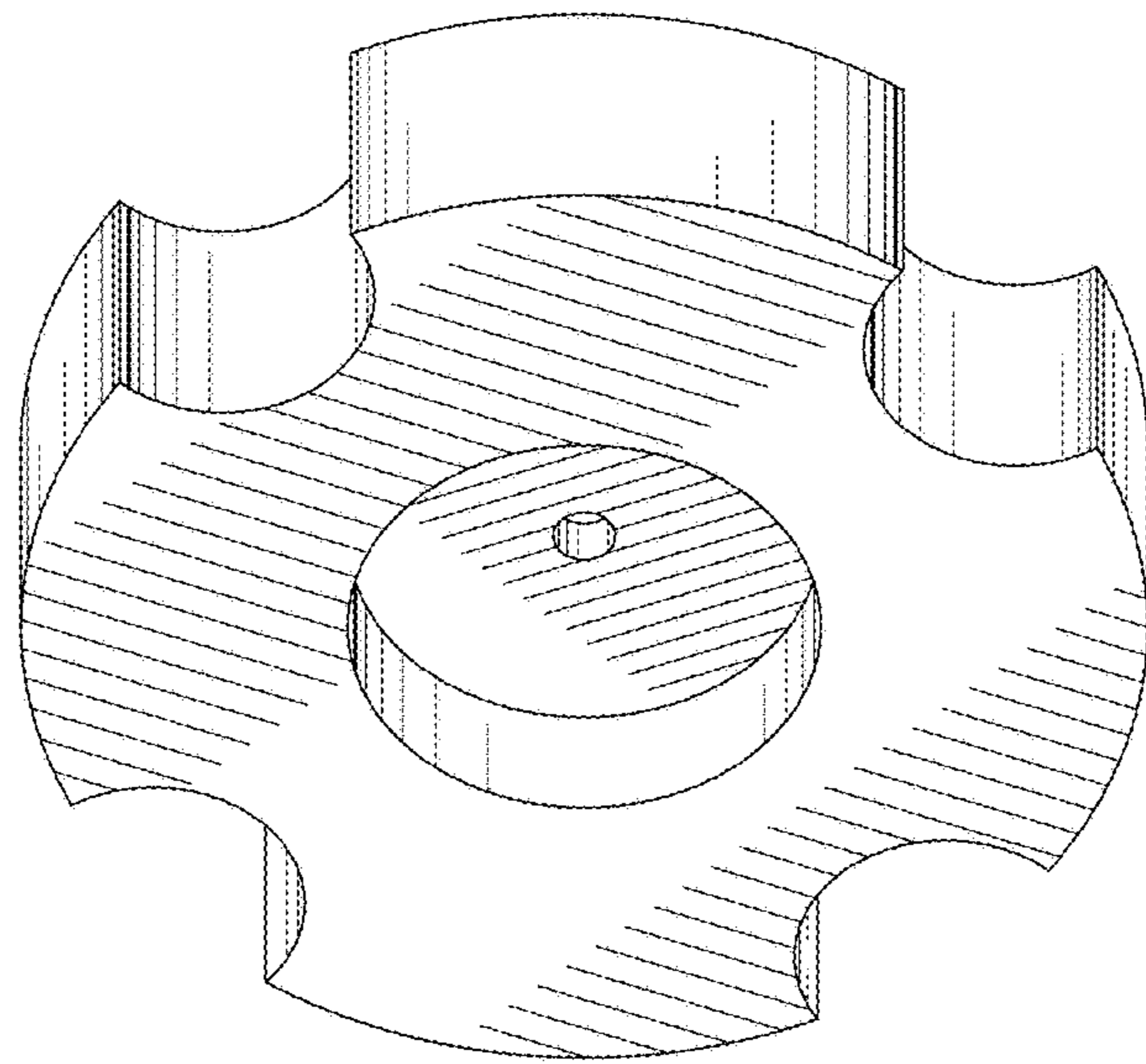


Fig.2

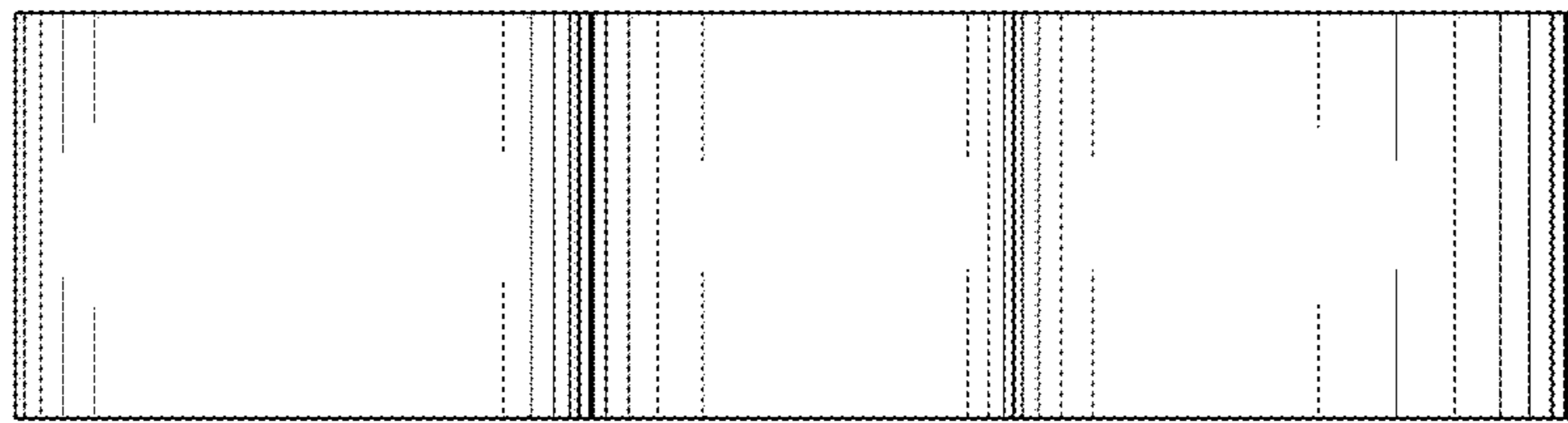


Fig. 3

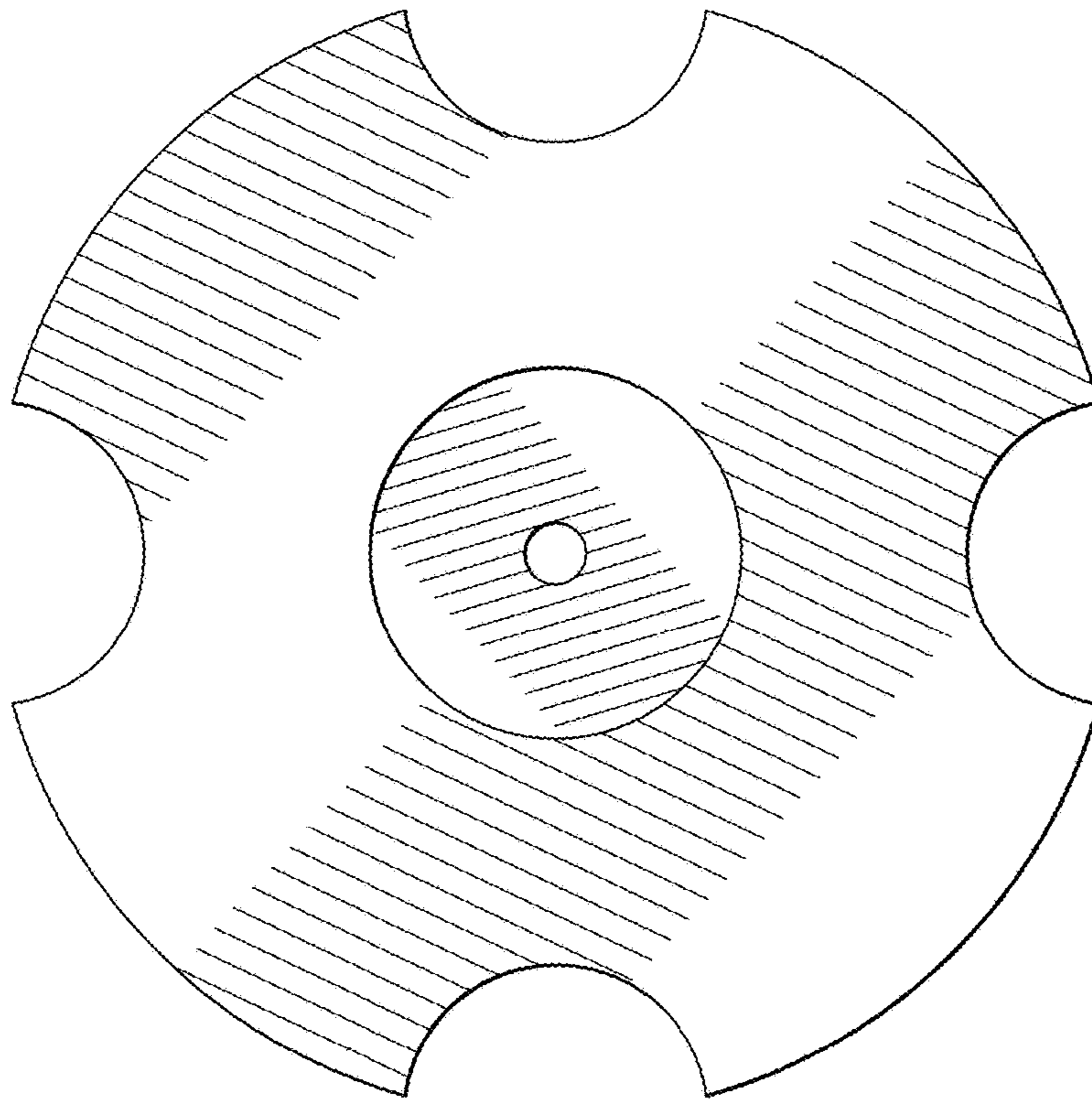


Fig.4

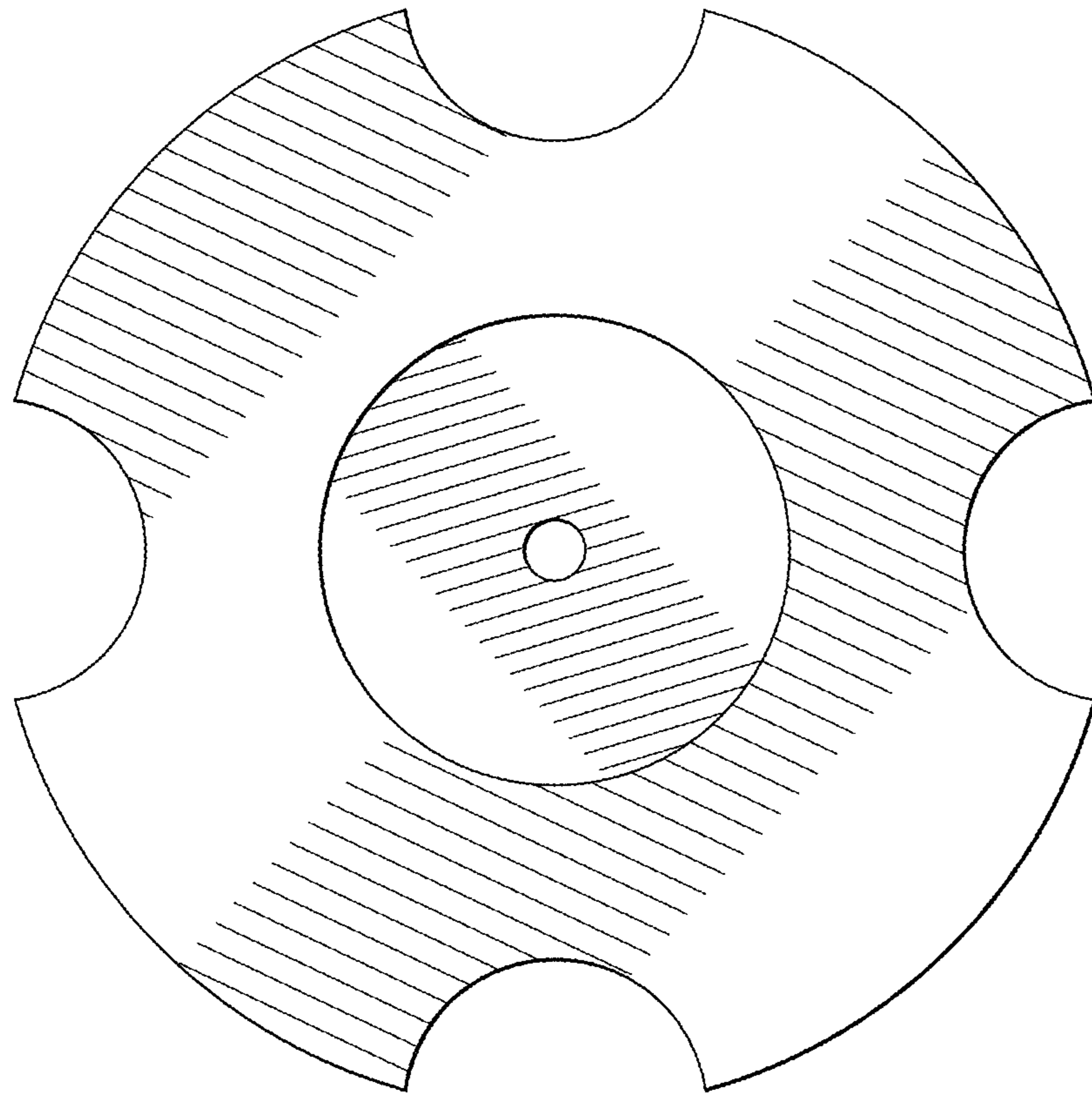


Fig.5