



US00D832057S

(12) **United States Design Patent** (10) **Patent No.:** **US D832,057 S**  
**Namyst, III** (45) **Date of Patent:** **\*\* Oct. 30, 2018**

(54) **SAUCE TO GO CONTAINER**  
(71) Applicant: **Joseph Alexander Namyst, III**, White Plains, MD (US)  
(72) Inventor: **Joseph Alexander Namyst, III**, White Plains, MD (US)  
(73) Assignee: **Convenience Designs LLC**, White Plains, MD (US)

D678,765 S \* 3/2013 Brown ..... D9/434  
D685,654 S \* 7/2013 Akana ..... D9/432  
D707,557 S \* 6/2014 Corradini ..... D9/436  
D713,248 S \* 9/2014 Kotyuk ..... D9/454  
D731,313 S \* 6/2015 Kotyuk ..... D9/436  
D758,187 S \* 6/2016 Kotyuk ..... D9/436  
D786,073 S \* 5/2017 Hutcheson, Jr. .... D22/134  
D796,954 S \* 9/2017 Lun ..... D9/456  
2015/0375893 A1\* 12/2015 Korinek ..... B65D 5/503  
493/90

(\*\*) Term: **15 Years**  
(21) Appl. No.: **29/583,754**  
(22) Filed: **Nov. 8, 2016**  
(51) **LOC (11) Cl.** ..... **07-01**  
(52) **U.S. Cl.**  
USPC ..... **D7/602**  
(58) **Field of Classification Search**  
USPC ..... D3/203.2, 203.3, 272, 319, 264, 266;  
D7/334, 368, 397, 401.1, 589, 590, 550.1,  
D7/601, 602, 605, 637, 701, 708.1, 707;  
D9/434, 436, 455-457, 499; D26/9, 20,  
D26/22  
CPC ..... A47G 19/24; A47G 19/26; A47G 19/30  
See application file for complete search history.

**OTHER PUBLICATIONS**

Etsy. 10 pcs. Ring Wood Display. Mar. 14, 2017 [earliest online date], [site visited Jan. 30, 2018]. Available from Internet, <URL: [https://www.etsystudio.com/listing/506741483/10-pcs-ring-wood-display-round-base?ref=related\\_like](https://www.etsystudio.com/listing/506741483/10-pcs-ring-wood-display-round-base?ref=related_like)>. (Year: 2017).\*  
Jedi Creations. CAMA-FBC110. 2006 [earliest online date], [site visited Jan. 30, 2018]. Available from Internet, <URL: [https://www.jedicreations.com/images/candles/mango/CAMA-FBC110-mango-wood-candle-holders-SV401735\\_640x480.jpg](https://www.jedicreations.com/images/candles/mango/CAMA-FBC110-mango-wood-candle-holders-SV401735_640x480.jpg)>. (Year: 2006).\*

\* cited by examiner

*Primary Examiner* — Eric L Goodman  
*Assistant Examiner* — Darcey E Heflin  
(74) *Attorney, Agent, or Firm* — Patent Counsel Group LLP; John Gladstone Mills, III; Robert J. Craig

(56) **References Cited**

**U.S. PATENT DOCUMENTS**

D264,168 S \* 5/1982 Teuber ..... D7/624.1  
D300,796 S \* 4/1989 Waggerman ..... D7/605  
4,848,579 A \* 7/1989 Barnes ..... A47G 19/02  
206/499  
D532,196 S \* 11/2006 Sandy ..... D3/203.3  
D562,680 S \* 2/2008 Vrhovski ..... D9/436  
D595,125 S \* 6/2009 Doyle ..... D3/298  
D642,915 S \* 8/2011 Swingle ..... D9/440  
D661,186 S \* 6/2012 Snyder ..... 435/447  
D661,826 S \* 6/2012 Jorgensen ..... D26/9

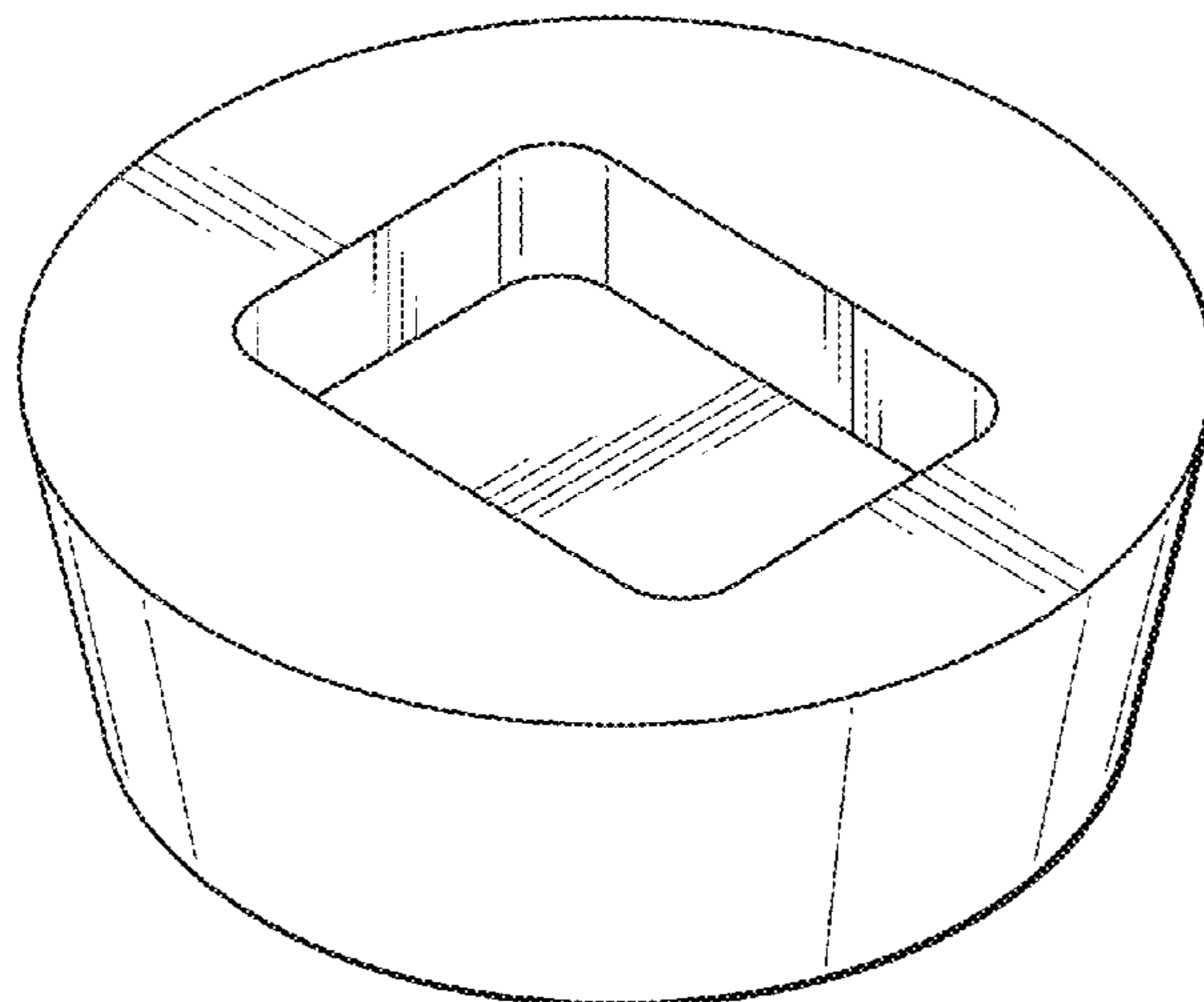
(57) **CLAIM**

The ornamental design for a sauce to go container, as shown and described.

**DESCRIPTION**

FIG. 1 is a front perspective view of a sauce to go container showing my new design;  
FIG. 2 is a side view thereof;  
FIG. 3 is a top view thereof; and,  
FIG. 4 is a bottom view thereof.

**1 Claim, 4 Drawing Sheets**



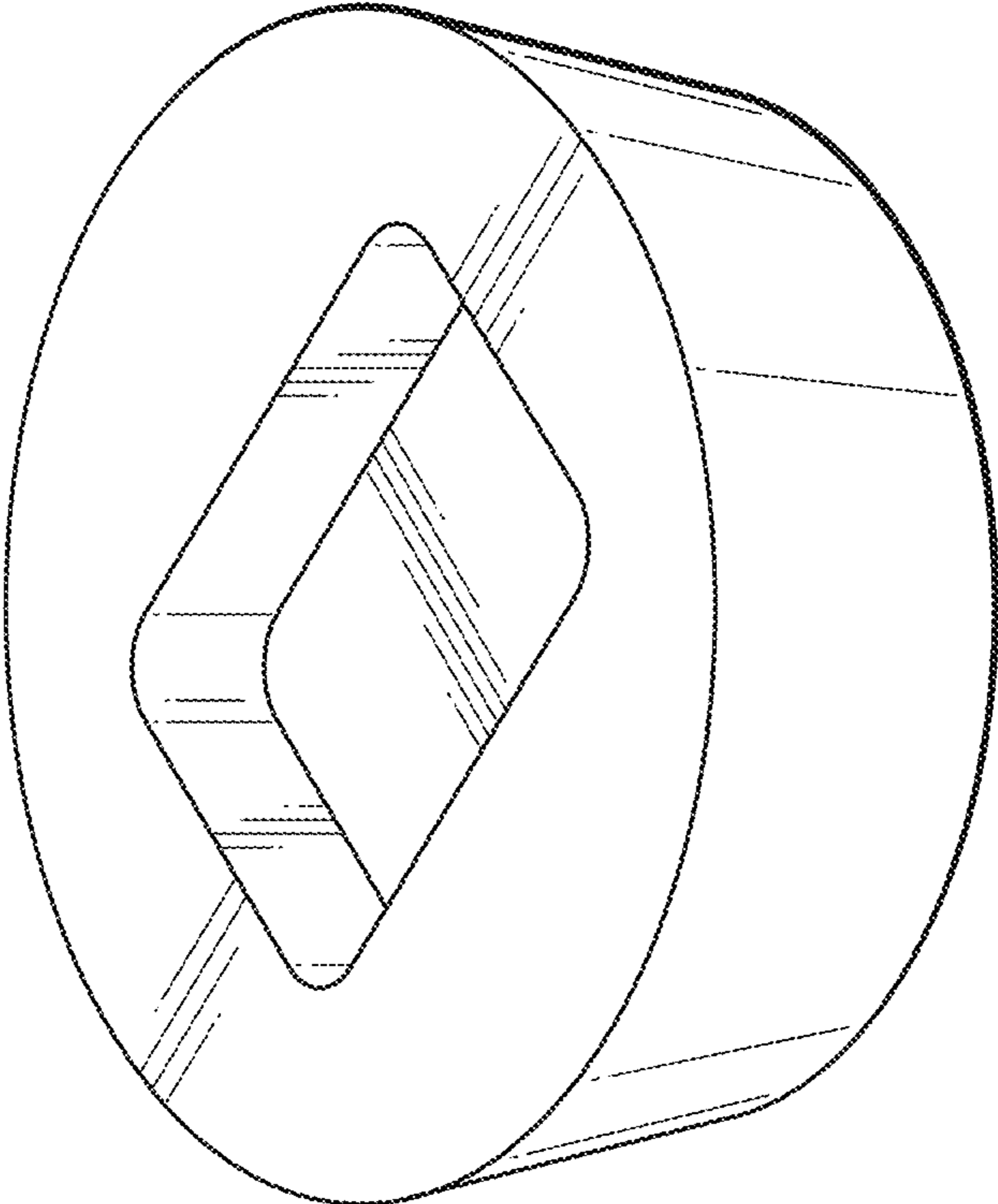


FIG. 1

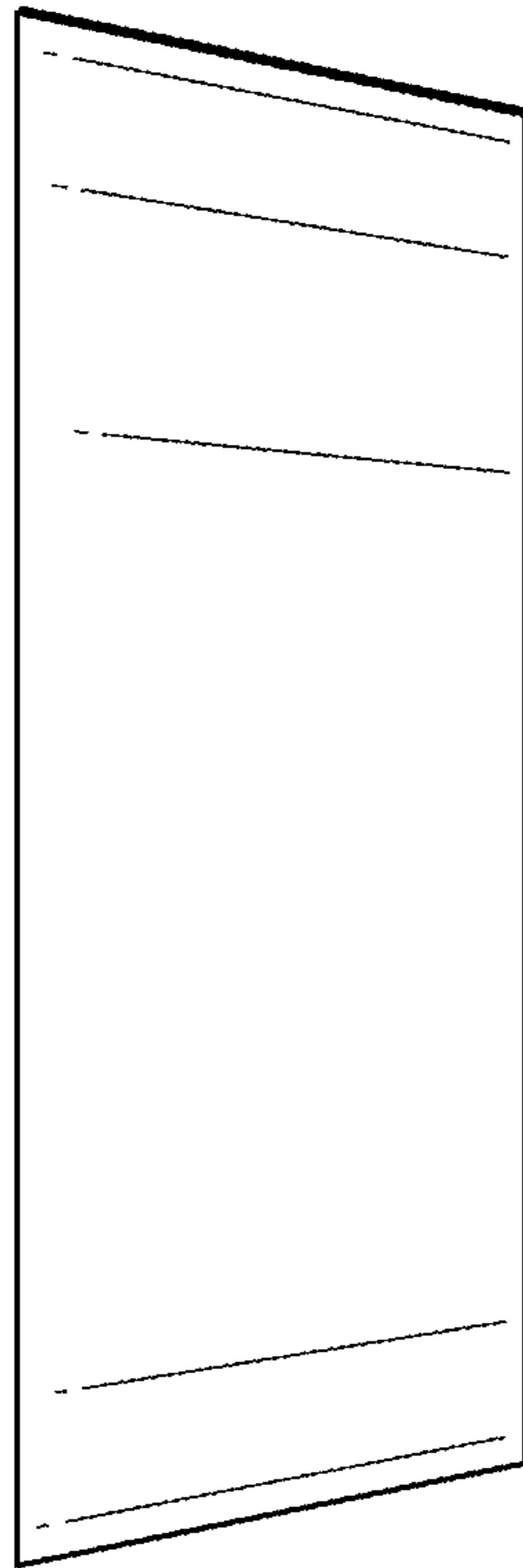


FIG. 2

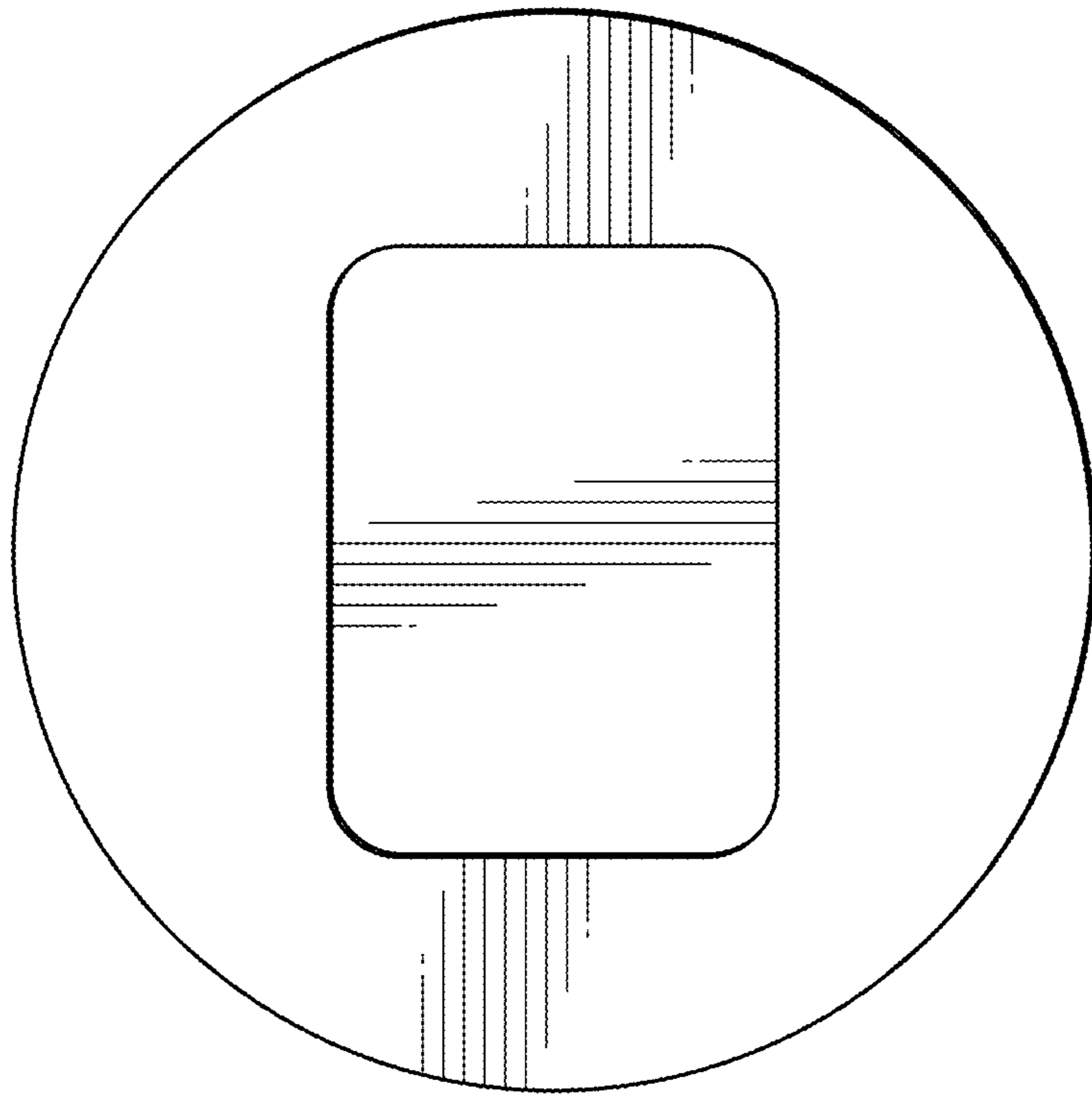


FIG. 3

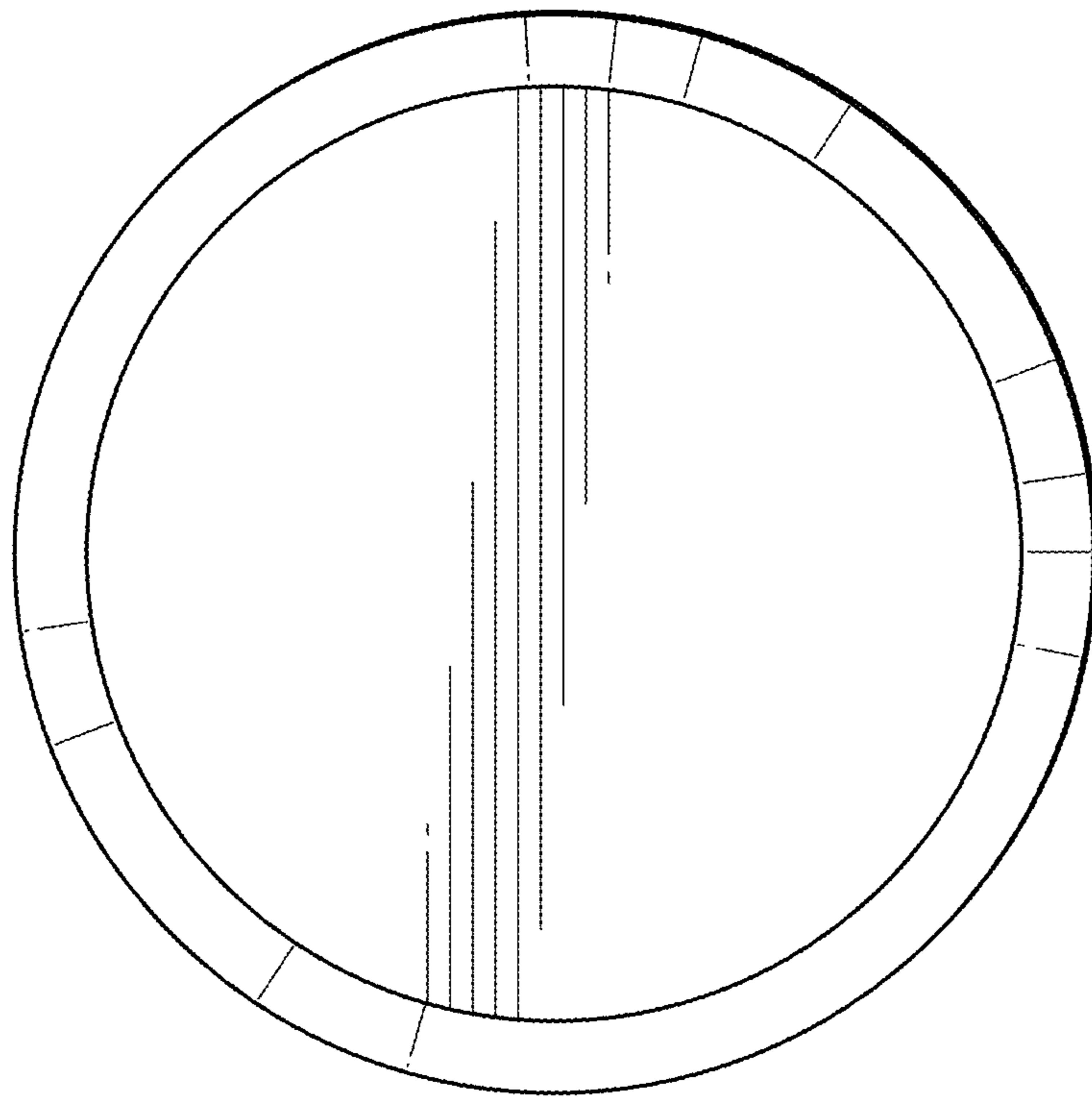


FIG. 4