



US00D832056S

(12) **United States Design Patent** (10) **Patent No.:** **US D832,056 S**
Cook (45) **Date of Patent:** **** Oct. 30, 2018**

(54) **COMBINED STAND AND COVER FOR DISPLAYING SUGAR WAFERS**

(71) Applicant: **Marian Denise Cook**, Boulder, CO (US)

(72) Inventor: **Marian Denise Cook**, Boulder, CO (US)

(**) Term: **15 Years**

(21) Appl. No.: **29/541,618**

(22) Filed: **Oct. 6, 2015**

Related U.S. Application Data

(63) Continuation-in-part of application No. 14/040,715, filed on Sep. 29, 2013.

(51) **LOC (11) Cl.** **07-07**

(52) **U.S. Cl.**
USPC **D7/602**

(58) **Field of Classification Search**
USPC D7/602, 589, 601, 603, 604, 605, 606, D7/608, 609, 610, 612, 613, 614, 615, D7/701, 702, 703, 705, 706, 707, 708, D7/628, 629, 630, 635, 388, 389, 397, D7/600.1-600.4; D6/657, 661.3, 668, D6/677, 672, 673, 677.5, 522; 248/560, 248/121, 122.1, 123.11, 123.2, 124.1, 248/125.1, 126, 127, 146, 176.1; 206/423, 407, 446; 211/45
CPC ... A47F 7/00; A47F 3/005; A47F 3/10; A63B 47/00; B65D 81/38; B65D 71/00; F25D 3/00; A47K 10/3827; A47K 10/3836; A47K 2010/3863

See application file for complete search history.

(56) **References Cited**

U.S. PATENT DOCUMENTS

D102,704 S * 1/1937 Stallings et al. D7/615
D237,431 S * 11/1975 Dean D11/131
D244,981 S * 7/1977 Austin D6/661.3
4,037,428 A * 7/1977 Giannotti B65D 81/3876
62/371
4,487,376 A * 12/1984 Compton A47K 10/3836
225/79
D309,075 S * 7/1990 Rossari D7/590
D310,155 S * 8/1990 deNevers D7/603
D326,574 S * 6/1992 Albright D11/131
5,135,179 A * 8/1992 Morano A47K 10/3836
242/423.1
5,209,694 A * 5/1993 Utt, Jr. A63H 3/50
248/176.1
D340,822 S * 11/1993 Morand D6/522
5,297,750 A * 3/1994 Hunt B65H 35/002
242/129.8
D347,364 S * 5/1994 van de Velde D7/608
5,355,592 A * 10/1994 Pardini F26B 25/18
211/171

(Continued)

Primary Examiner — Shannon W Morgan
(74) *Attorney, Agent, or Firm* — Kilpatrick Townsend & Stockton LLP

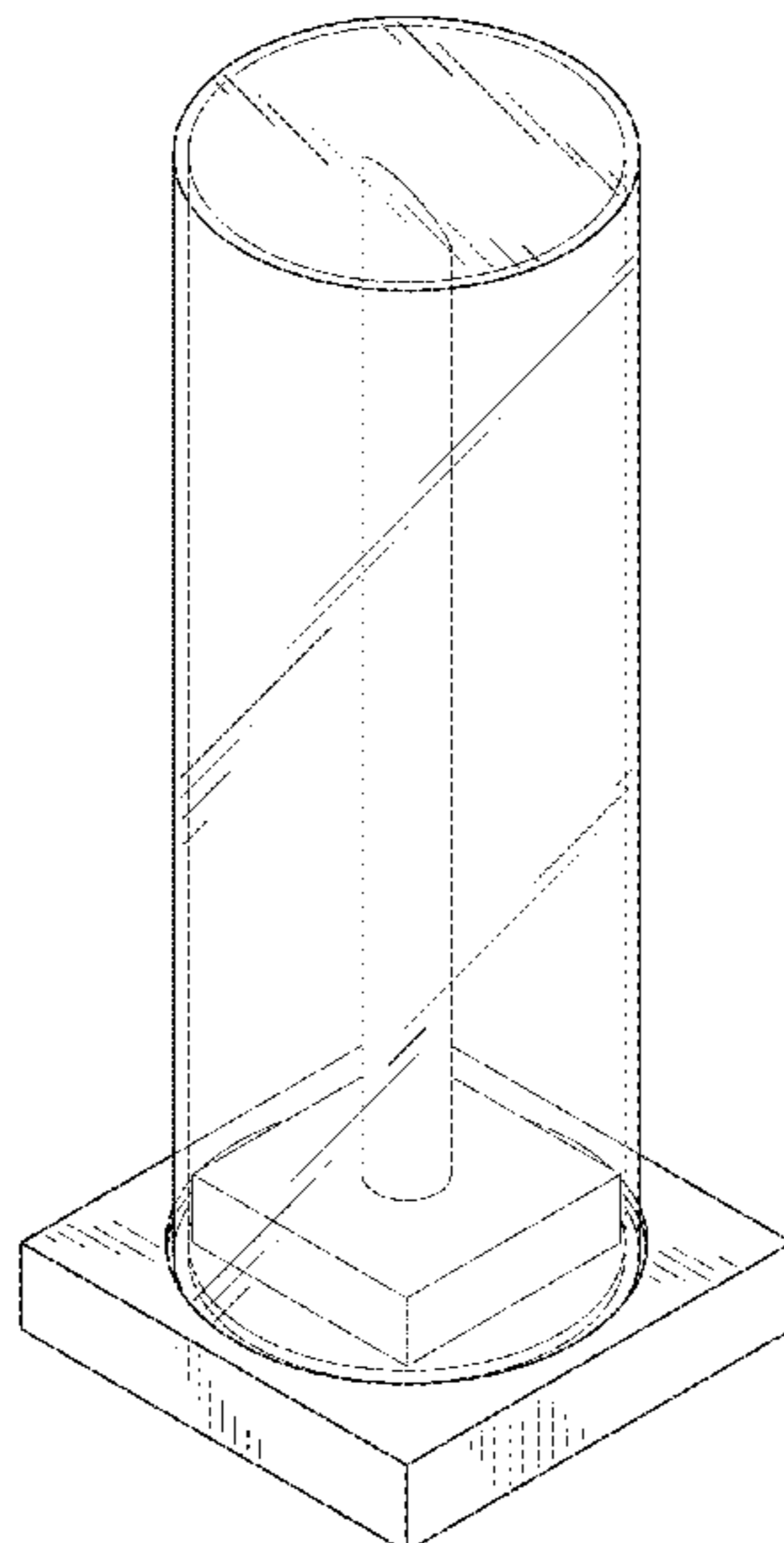
(57) **CLAIM**

I claim the ornamental design for a combined stand and cover for displaying sugar wafers, substantially as shown and described.

DESCRIPTION

FIG. 1 is a perspective view of a combined stand and cover for displaying sugar wafers showing my new design; FIG. 2 is a front elevational view thereof; FIG. 3 is a rear elevational view thereof; FIG. 4 is a right side elevational view thereof; FIG. 5 is a left side elevational view thereof; FIG. 6 is a top plan view thereof; and, FIG. 7 is a bottom plan view thereof.

1 Claim, 6 Drawing Sheets



(56)

References Cited

U.S. PATENT DOCUMENTS

5,887,818 A * 3/1999 Kelley A47K 10/22
242/559.3
D415,379 S * 10/1999 Tisdale D6/522
D419,013 S * 1/2000 Tisdale D6/522
D422,170 S * 4/2000 Harris, Jr. D6/521
D425,352 S * 5/2000 Paskan D6/552
D436,134 S * 1/2001 Aguayo, Jr. D20/10
D464,216 S * 10/2002 Rone D6/661.3
D464,511 S * 10/2002 Clarke D6/661.3
6,832,739 B1 * 12/2004 Kraus A47K 10/3836
242/422.5
D523,268 S * 6/2006 Goodman D6/521
D698,641 S * 2/2014 Theisen D9/418
D710,156 S * 8/2014 Wagner D7/610
D744,772 S * 12/2015 Cook D6/677
D746,156 S * 12/2015 Bondioli D9/772
9,622,626 B1 * 4/2017 Radke A47K 10/3836
D786,590 S * 5/2017 Cook D6/677
D797,517 S * 9/2017 de Almeida Braga D7/602
2002/0130211 A1 * 9/2002 Kerr A47K 10/3836
242/422.5
2004/0195429 A1 * 10/2004 Demers A47K 10/3836
242/597.7
2007/0262191 A1 * 11/2007 Amron A47K 10/3836
242/597.7
2008/0067086 A1 * 3/2008 Uidl A47F 3/10
206/232
2015/0090734 A1 * 4/2015 Cook A47G 19/32
221/282
2016/0045082 A1 * 2/2016 Hill A47K 10/3827
242/596.8

* cited by examiner

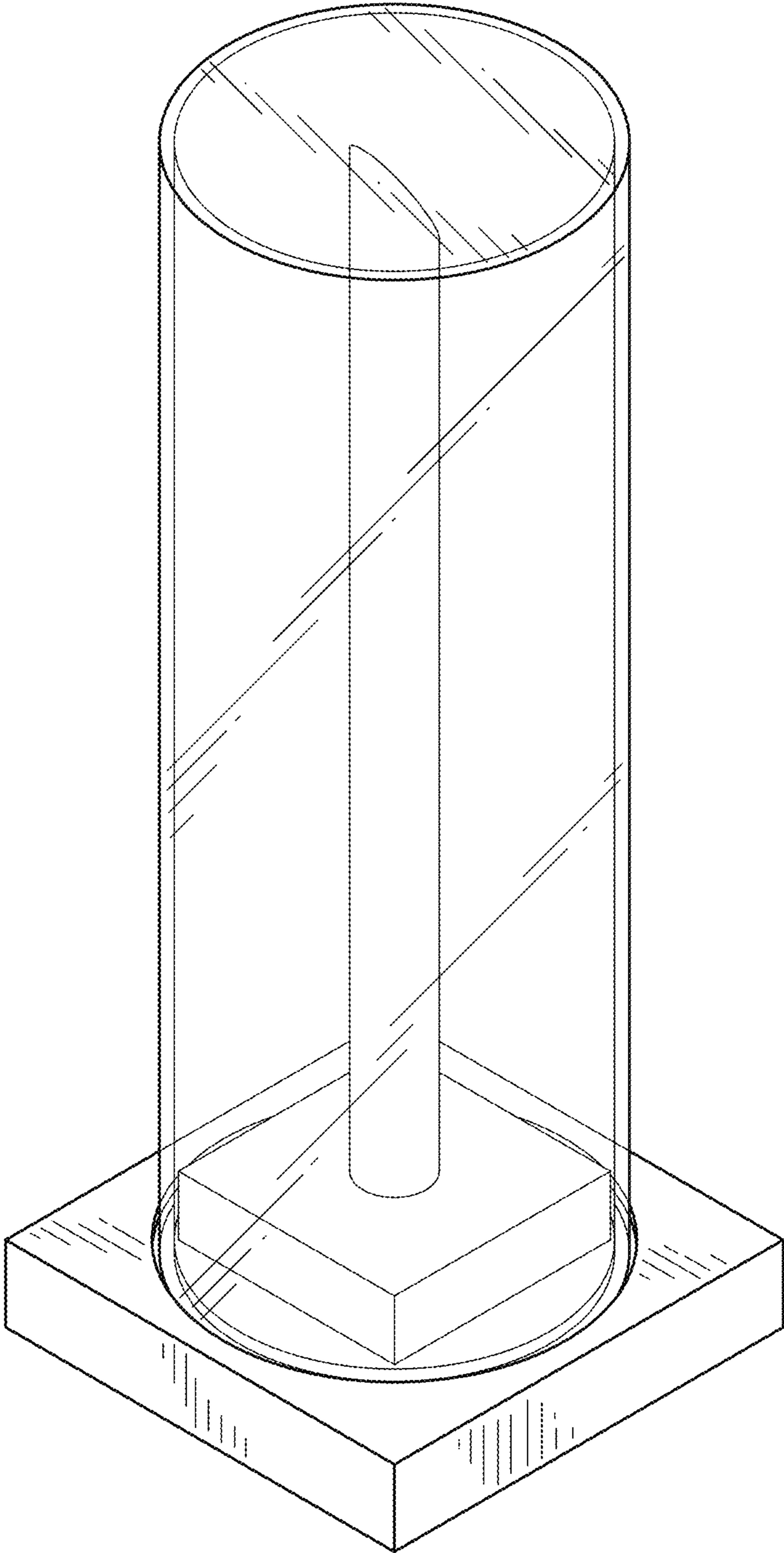


FIG. 1

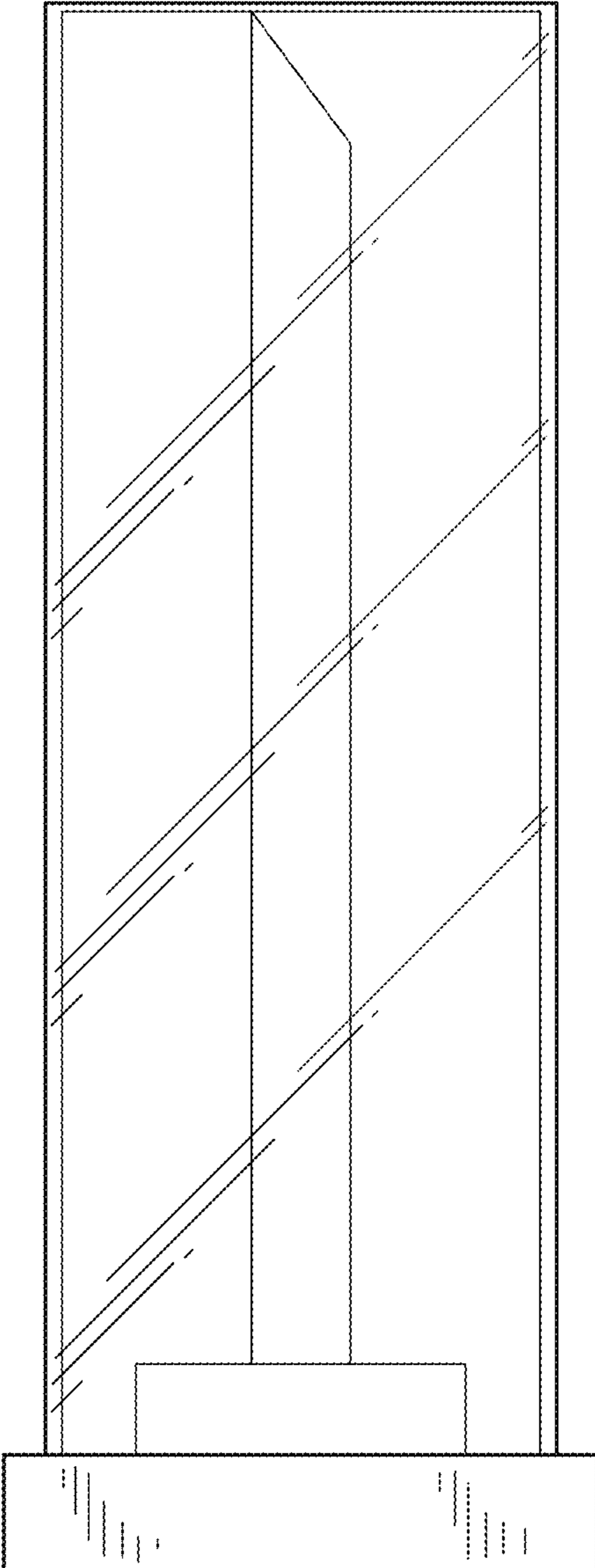


FIG.2

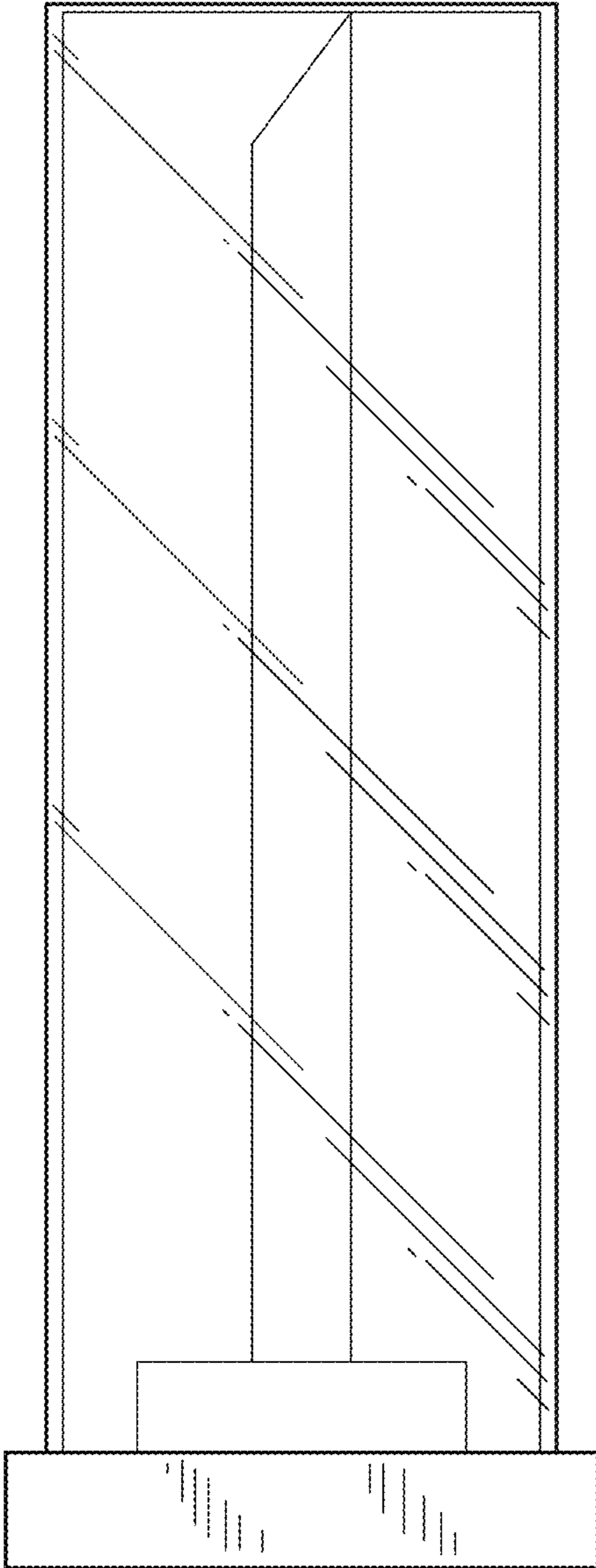


FIG.3

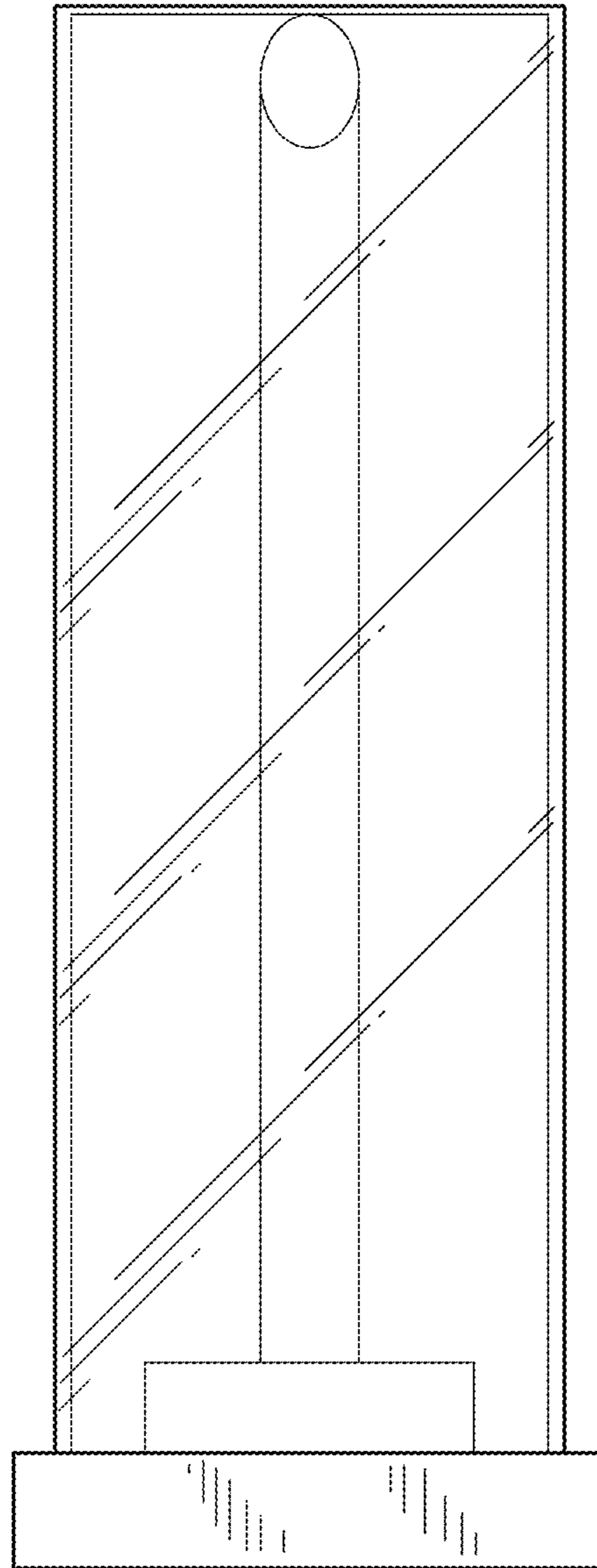


FIG.4

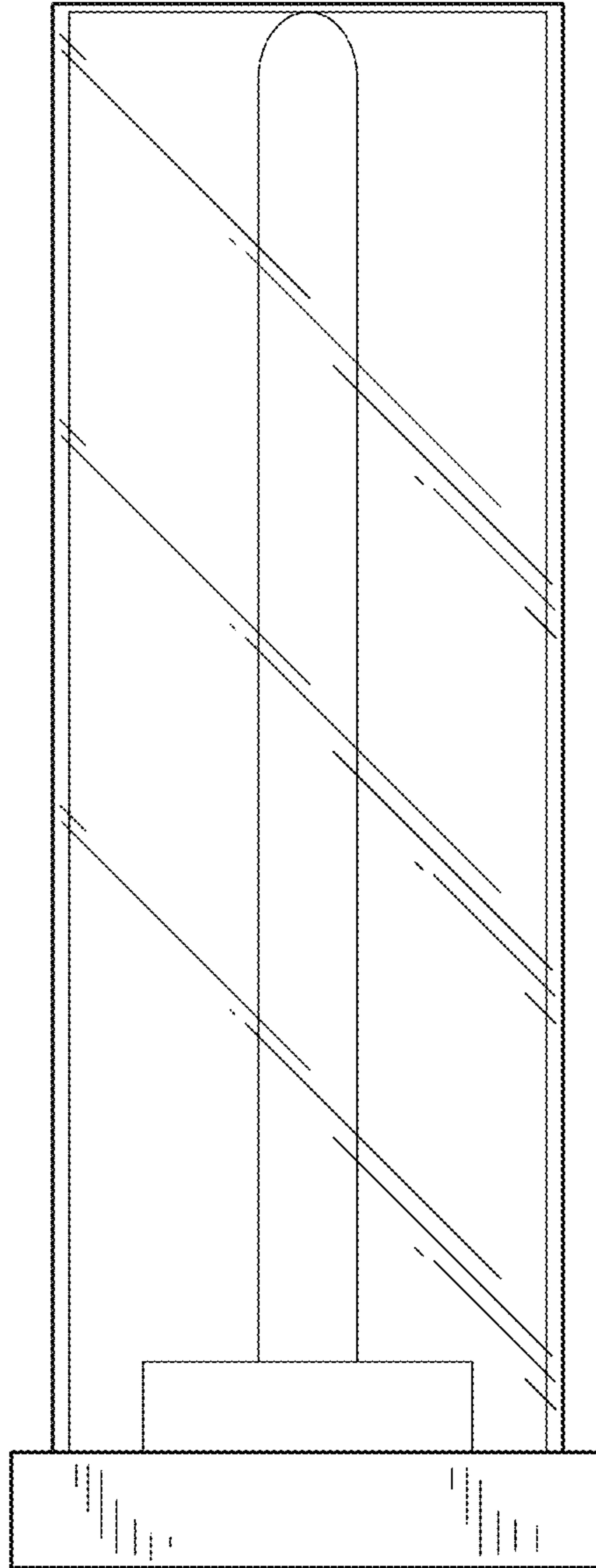


FIG.5

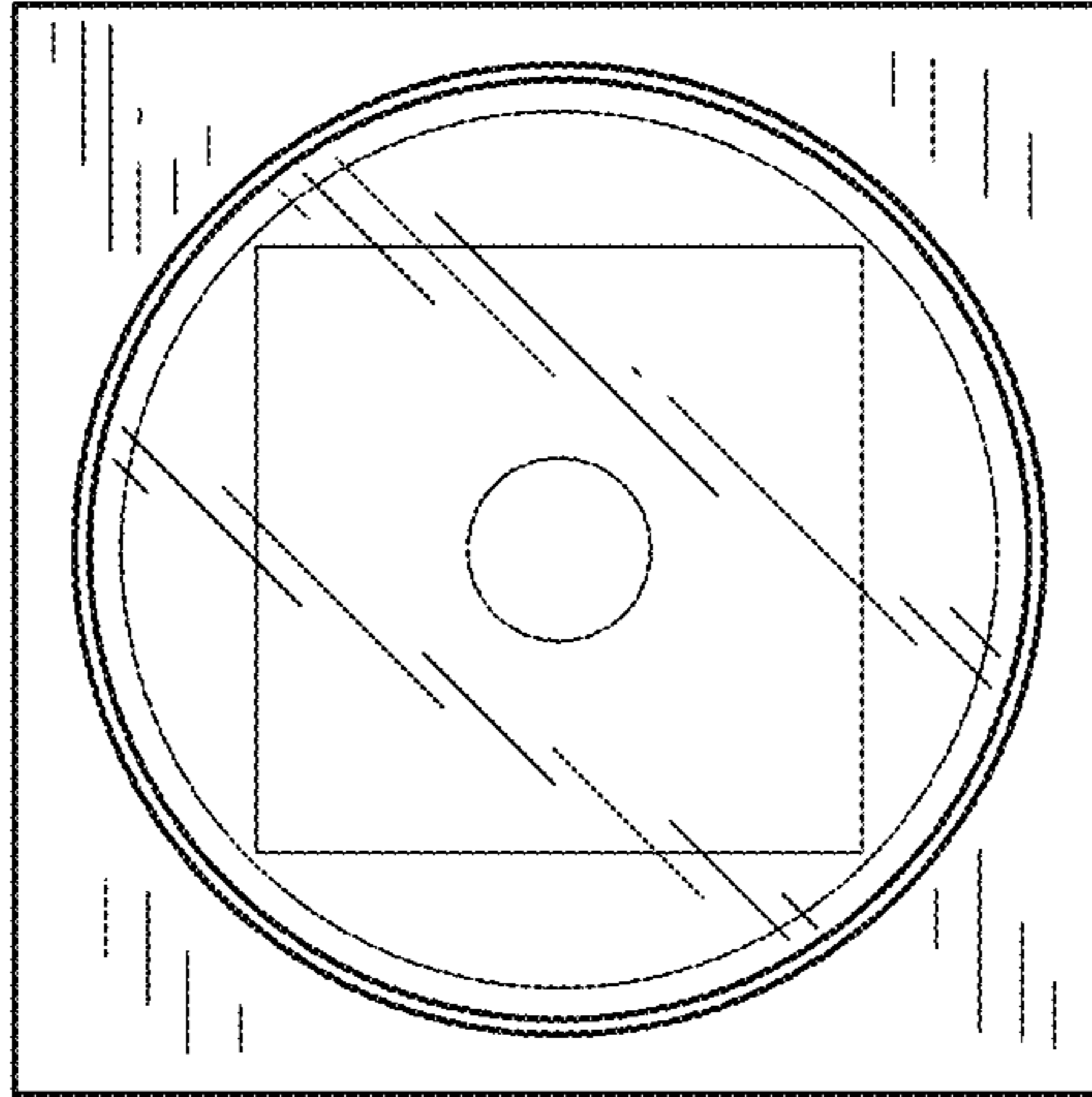


FIG. 6

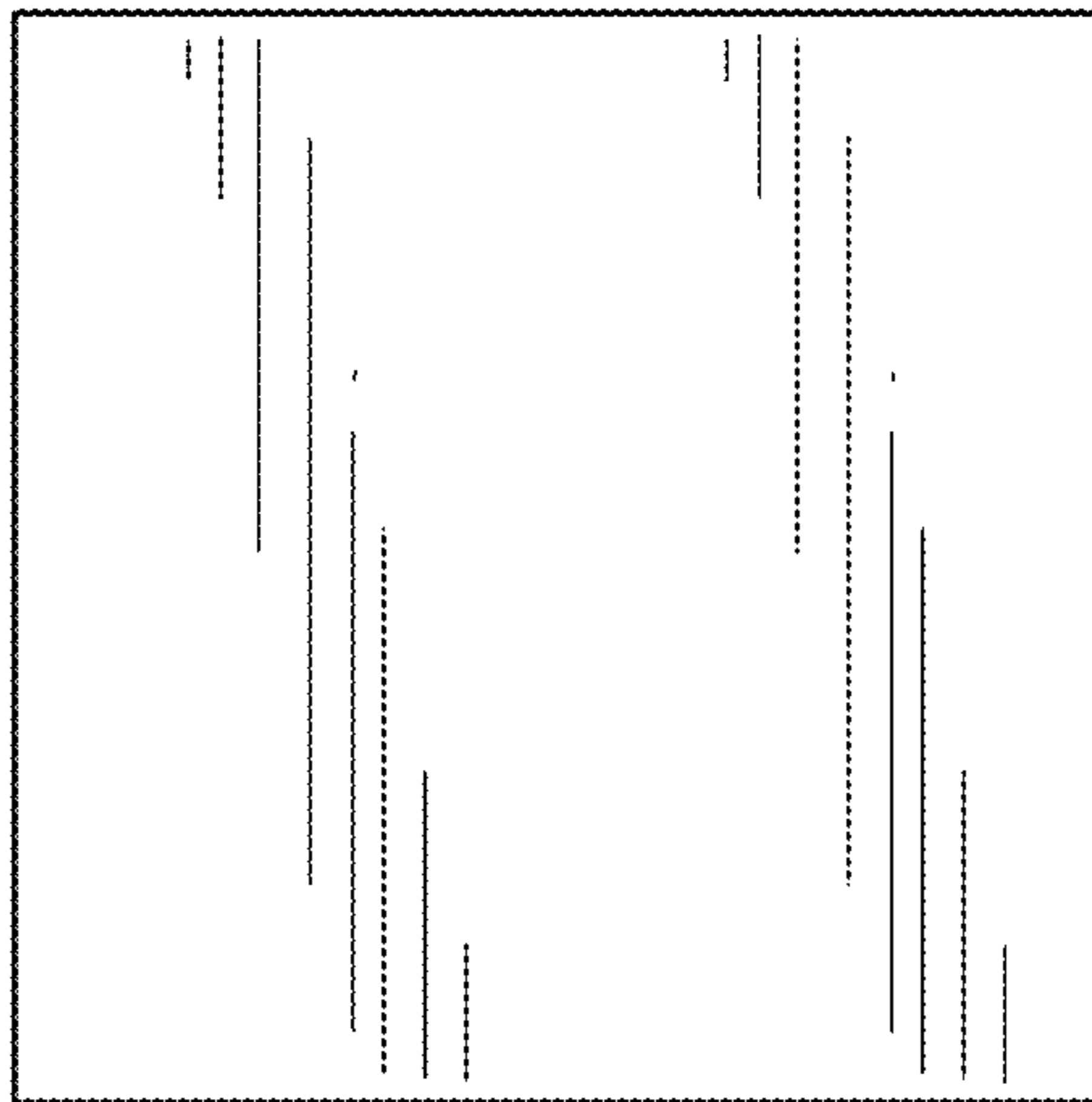


FIG. 7