



US00D832055S

(12) **United States Design Patent**  
**Rose et al.**

(10) **Patent No.:** **US D832,055 S**

(45) **Date of Patent:** **\*\* Oct. 30, 2018**

(54) **CARAFE**

(71) Applicant: **Williams-Sonoma, Inc.**, San Francisco, CA (US)

(72) Inventors: **Phillip John Patrick Rose**, San Francisco, CA (US); **Mihai Hoge**, Atlanta, GA (US)

(73) Assignee: **Williams-Sonoma, Inc.**, San Francisco, CA (US)

(\*\*) Term: **15 Years**

(21) Appl. No.: **29/572,069**

(22) Filed: **Jul. 25, 2016**

(51) **LOC (11) Cl.** ..... **07-06**

(52) **U.S. Cl.**  
USPC ..... **D7/598**

(58) **Field of Classification Search**  
USPC ..... D7/316-319, 312, 598, 600, 322, 321, D7/630, 601, 602, 538-542, 612, 608, D7/300; D23/209; D9/424-432, 445, D9/500, 501, 503, 504, 516, 549, 575  
CPC .... A47J 41/0027; A47J 31/50; A47J 45/0077; A47J 31/053; A47G 19/22  
See application file for complete search history.

(56) **References Cited**

U.S. PATENT DOCUMENTS

- 3,114,484 A \* 12/1963 Serio ..... A47J 36/14  
16/425
- D198,702 S \* 7/1964 Douglas ..... D7/318
- D199,917 S \* 12/1964 Dann, Jr. et al. .... D7/317
- 3,174,424 A \* 3/1965 Serio ..... A47J 31/053  
210/474
- 3,311,399 A \* 3/1967 Holton ..... A47J 45/077  
24/274 R
- D213,577 S \* 3/1969 Douglas ..... D7/317

- D215,227 S \* 9/1969 Beckman ..... D7/317
- D221,796 S \* 9/1971 Greger ..... D7/317
- D232,411 S \* 8/1974 Douglas et al. .... D7/317

(Continued)

*Primary Examiner* — Shannon W Morgan

(74) *Attorney, Agent, or Firm* — Cook Alex Ltd.; R. Blake Johnston

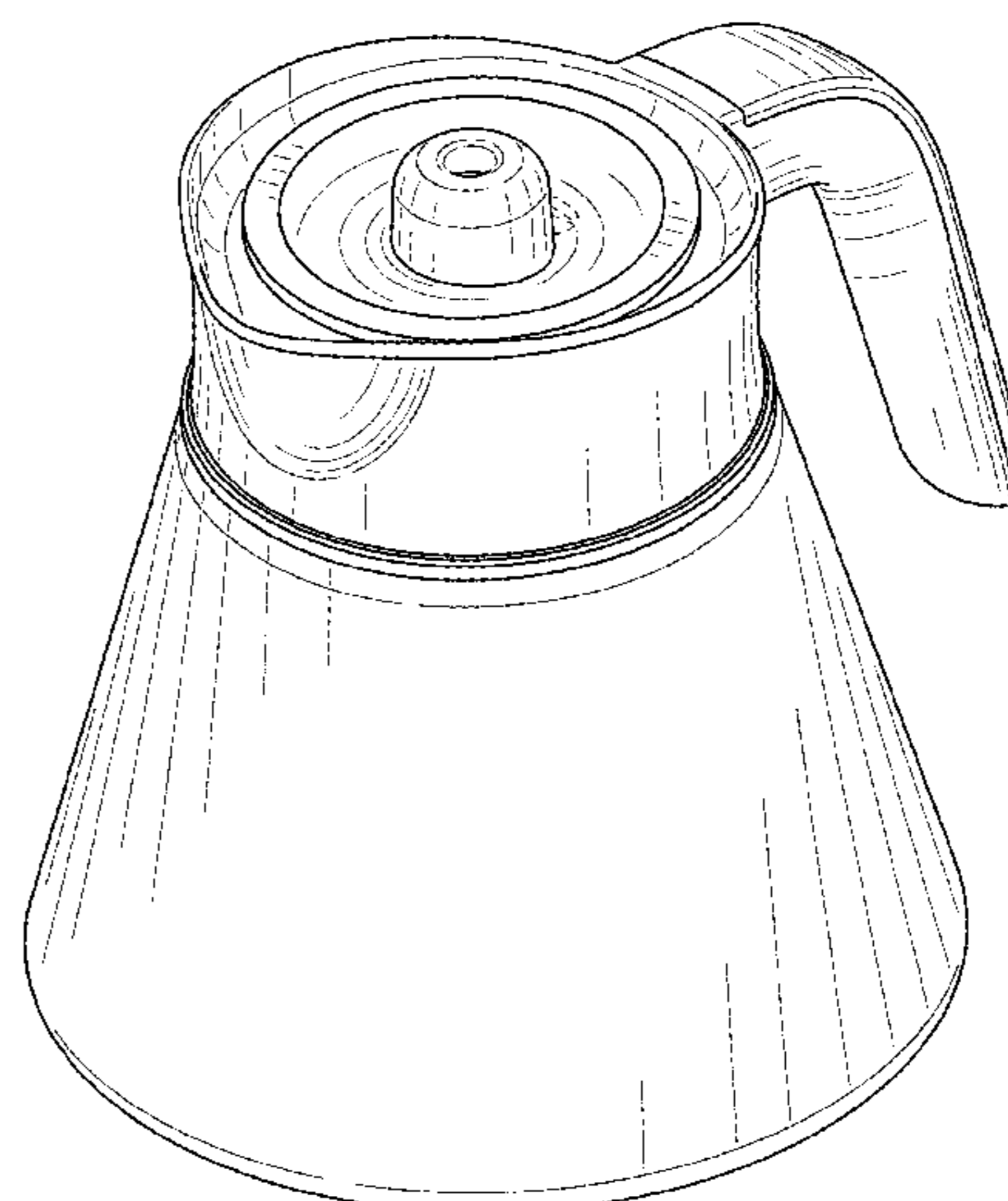
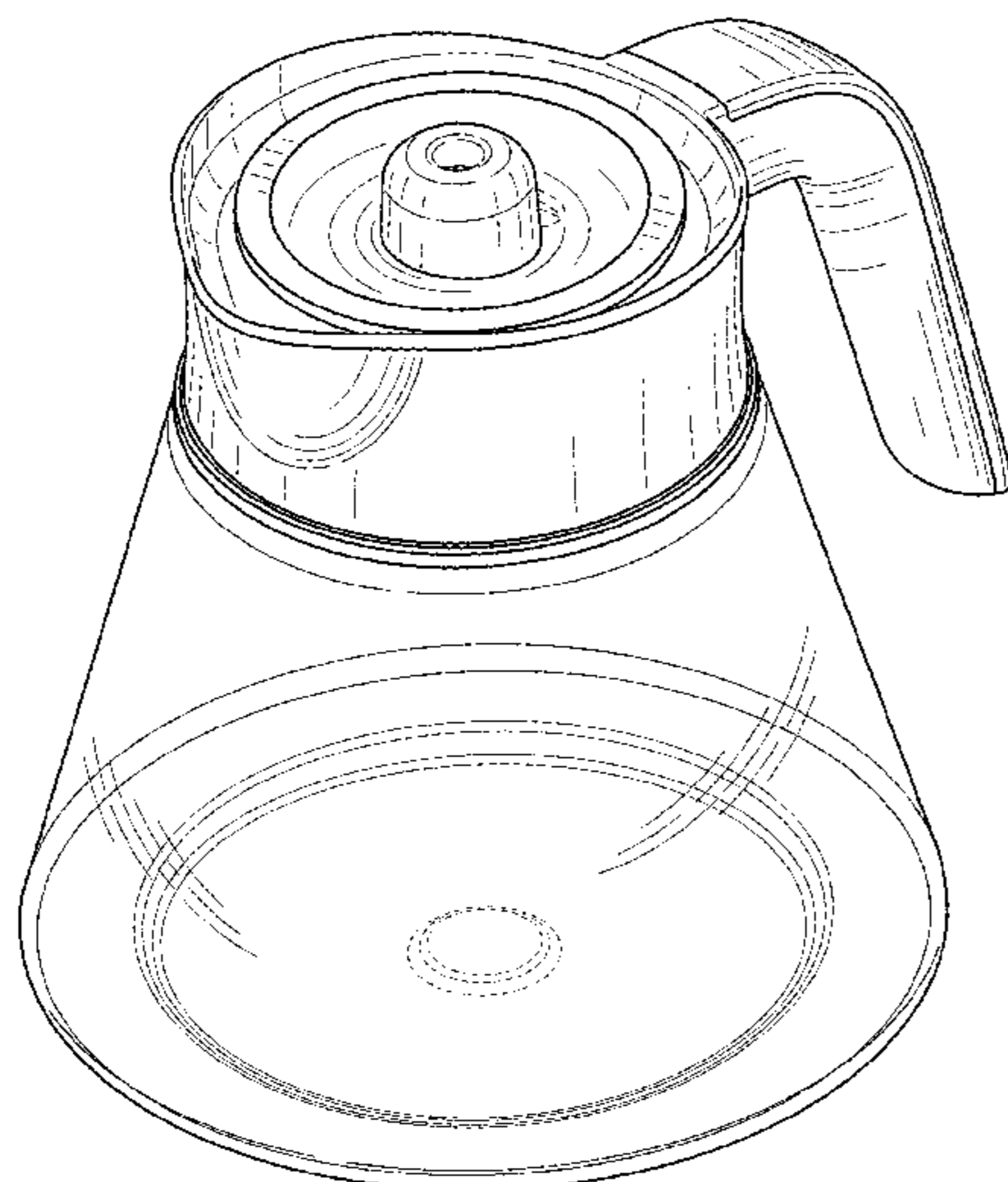
(57) **CLAIM**

The ornamental design for a carafe, as shown and described.

**DESCRIPTION**

FIG. 1 is a perspective view of a first embodiment of the carafe;  
 FIG. 2 is a front elevational view of the first embodiment of the carafe;  
 FIG. 3 is a rear elevational view of the first embodiment of the carafe;  
 FIG. 4 is a left side elevational view of the first embodiment of the carafe, the opposite side of which is a mirror image;  
 FIG. 5 is a top plan view of the first embodiment of the carafe;  
 FIG. 6 is a bottom plan view of the first embodiment of the carafe;  
 FIG. 7 is a perspective view of a second embodiment of the carafe;  
 FIG. 8 is a front elevational view of the second embodiment of the carafe;  
 FIG. 9 is a rear elevational view of the second embodiment of the carafe;  
 FIG. 10 is a left side elevational view of the second embodiment of the carafe, the opposite side of which is a mirror image;  
 FIG. 11 is a top plan view of the second embodiment of the carafe; and,  
 FIG. 12 is a bottom plan view of the second embodiment of the carafe.  
 The broken lines shown in the figures depict portions of the carafe that form no part of the claimed design.

**1 Claim, 8 Drawing Sheets**





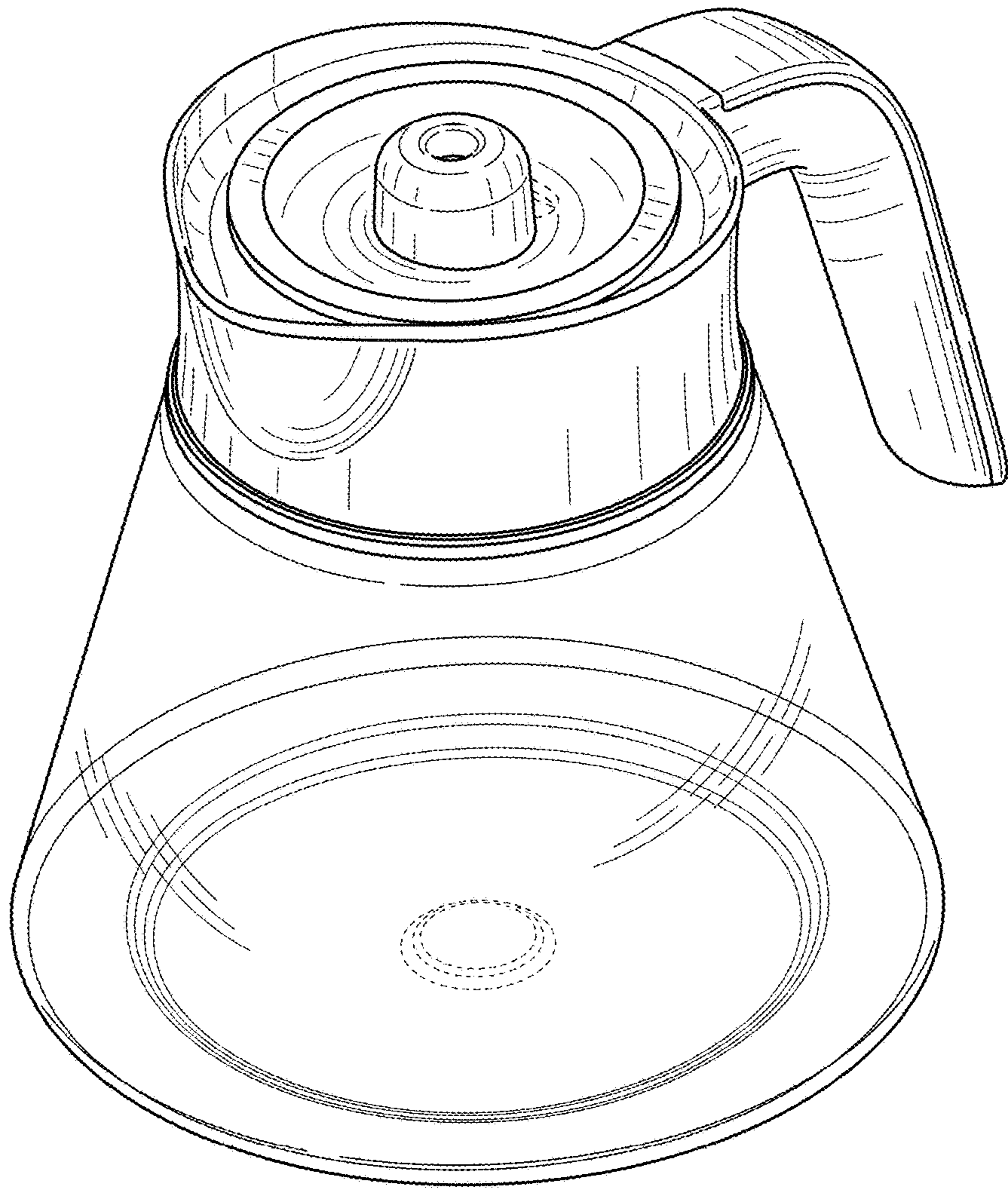


FIG. 1



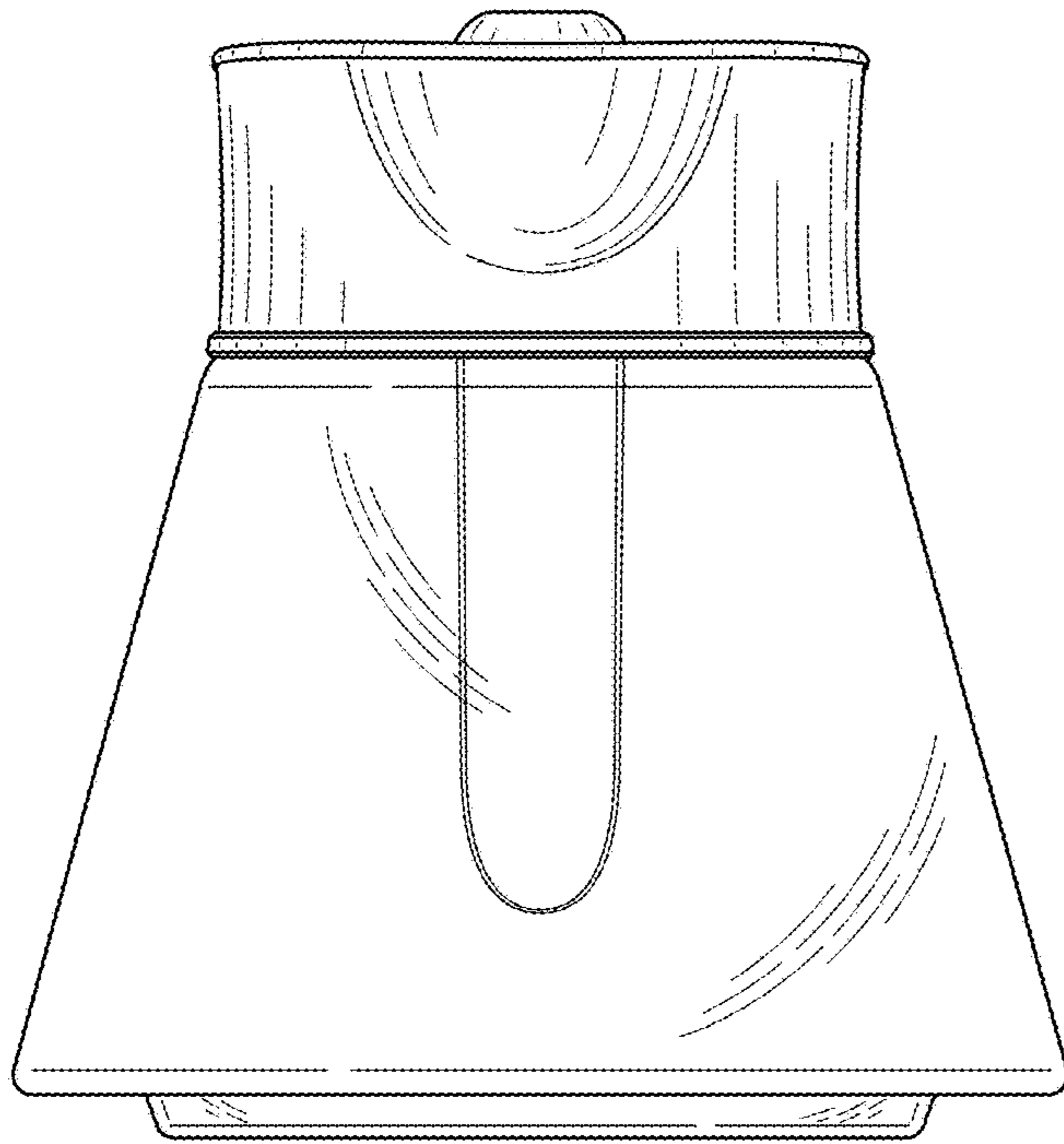


FIG. 2

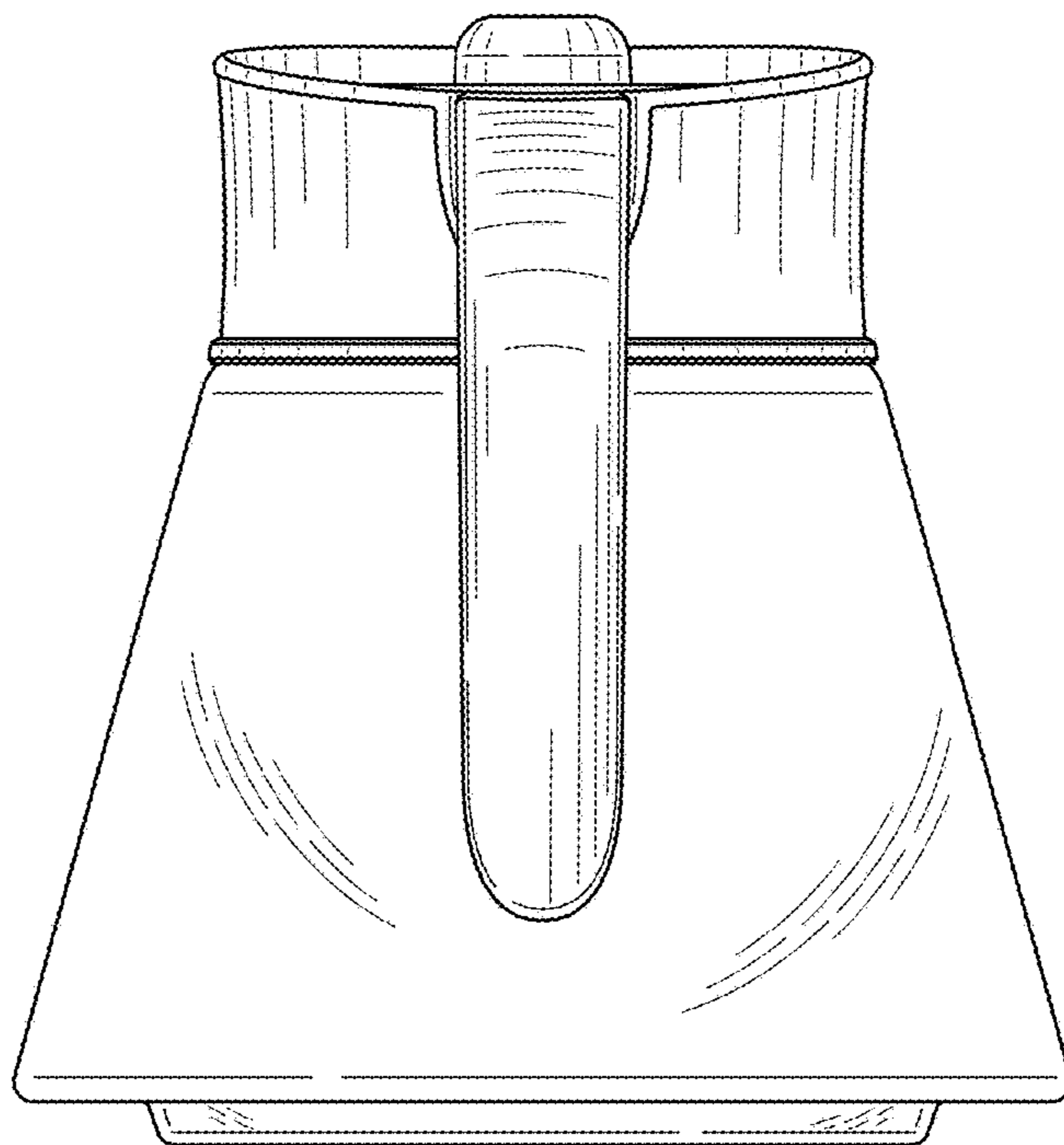


FIG. 3

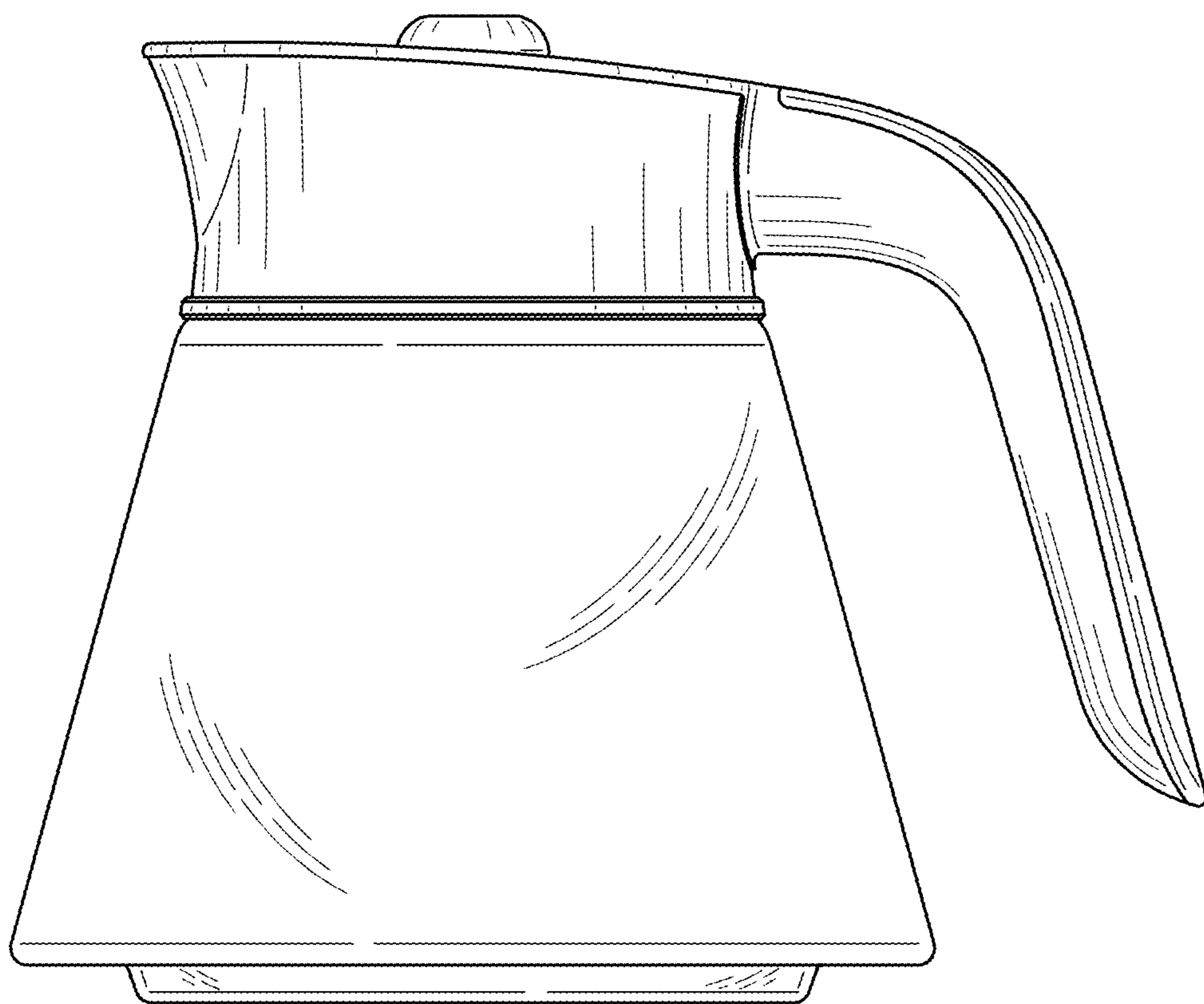


FIG. 4

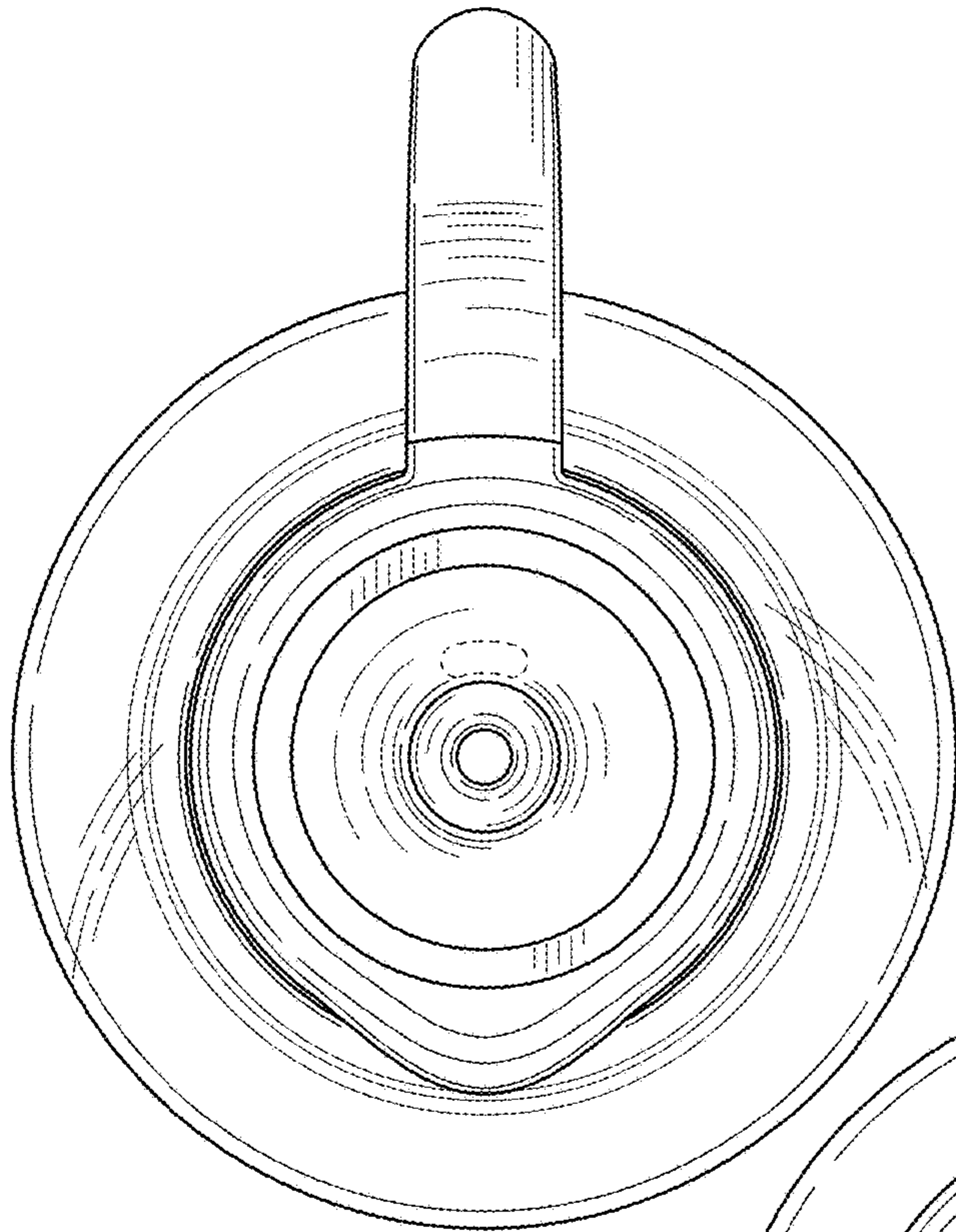


FIG. 5

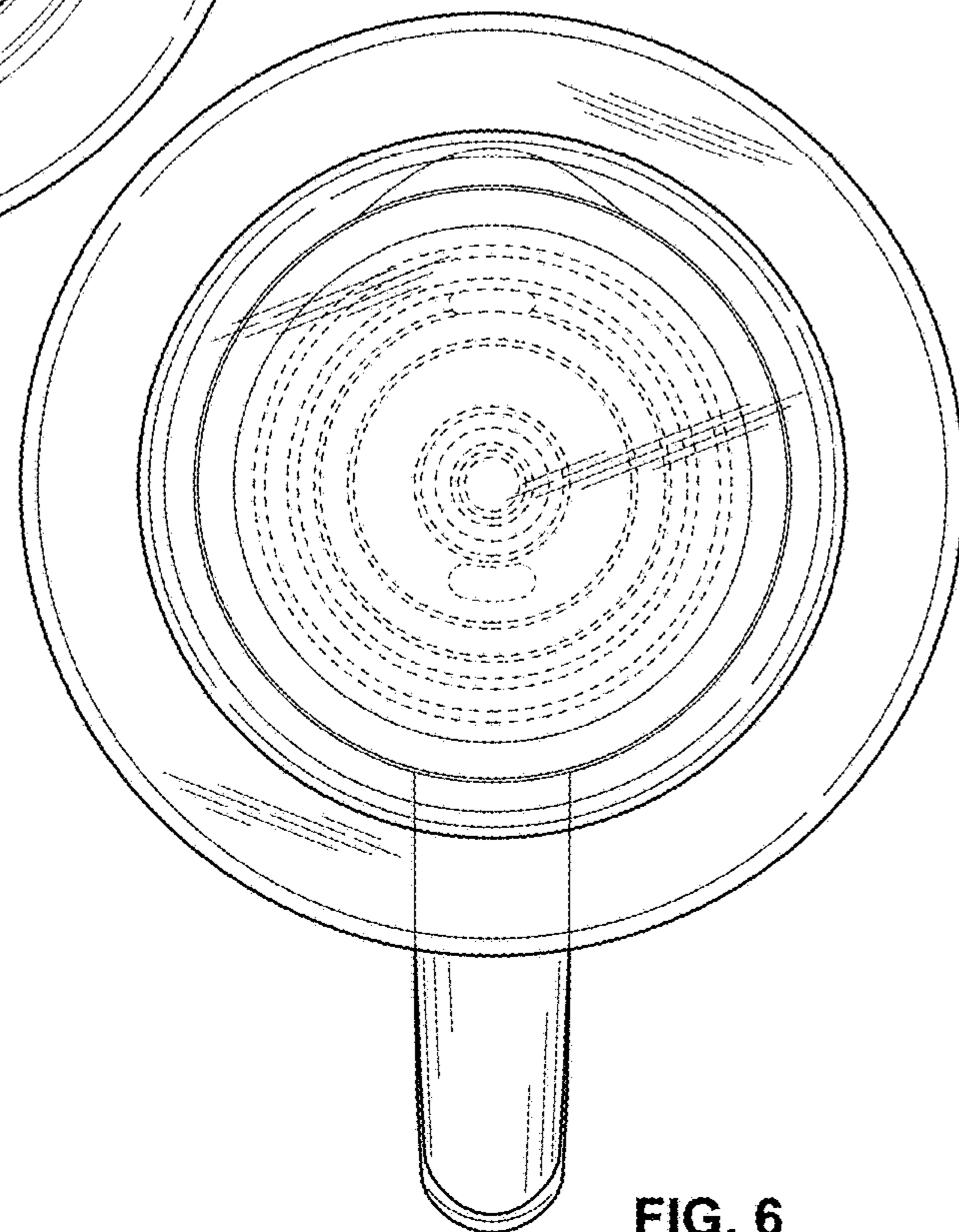


FIG. 6

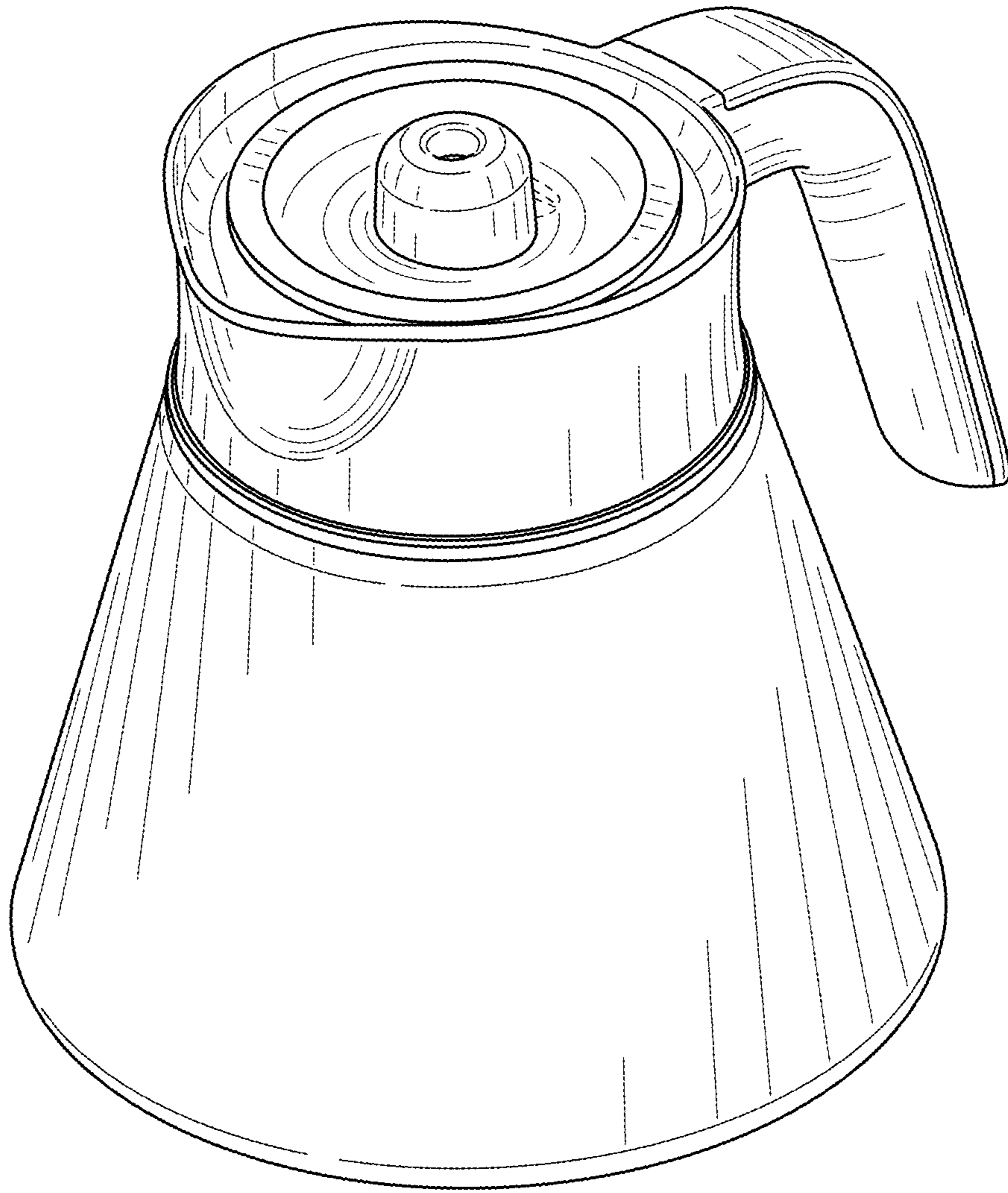


FIG. 7

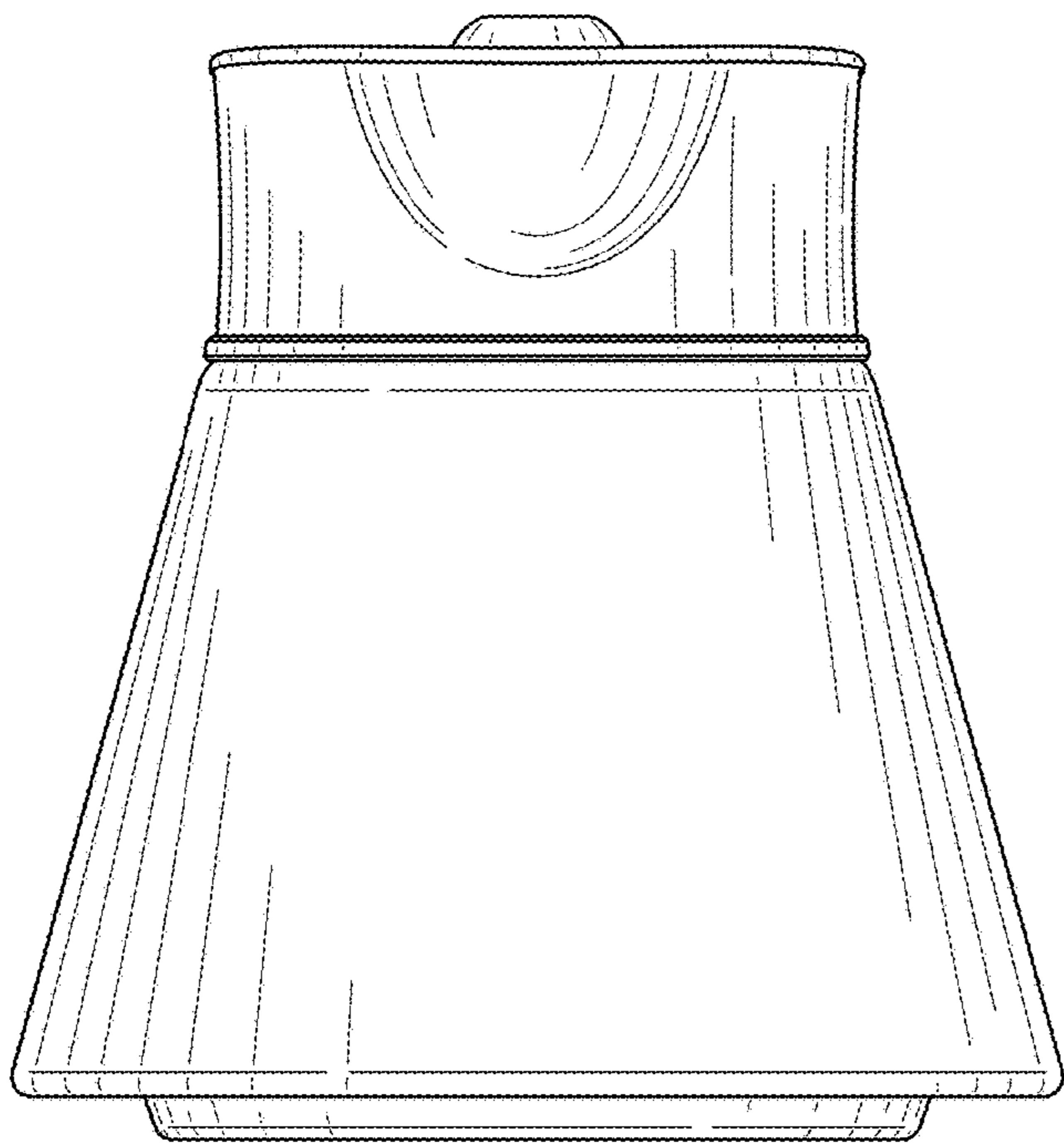


FIG. 8

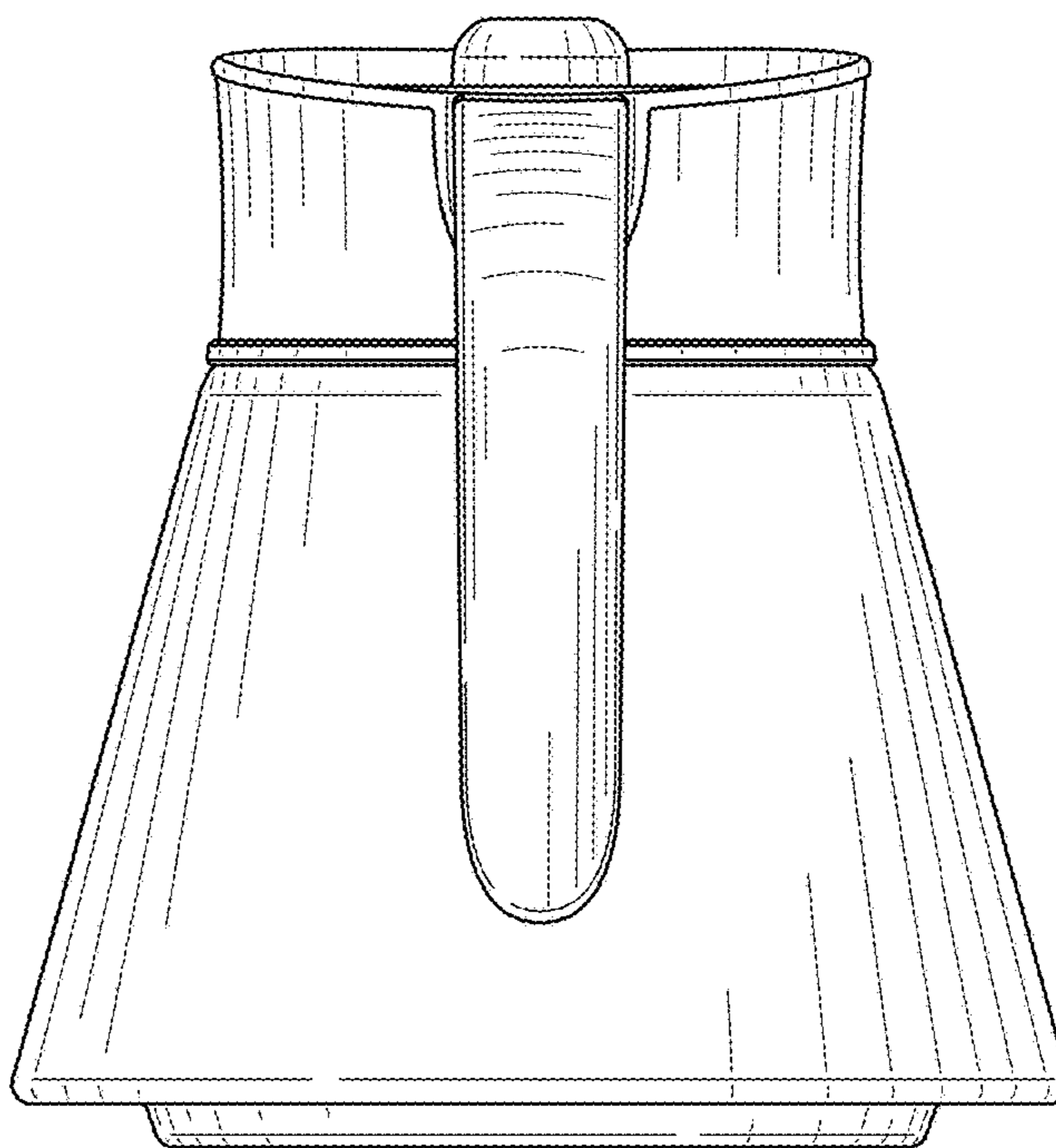


FIG. 9



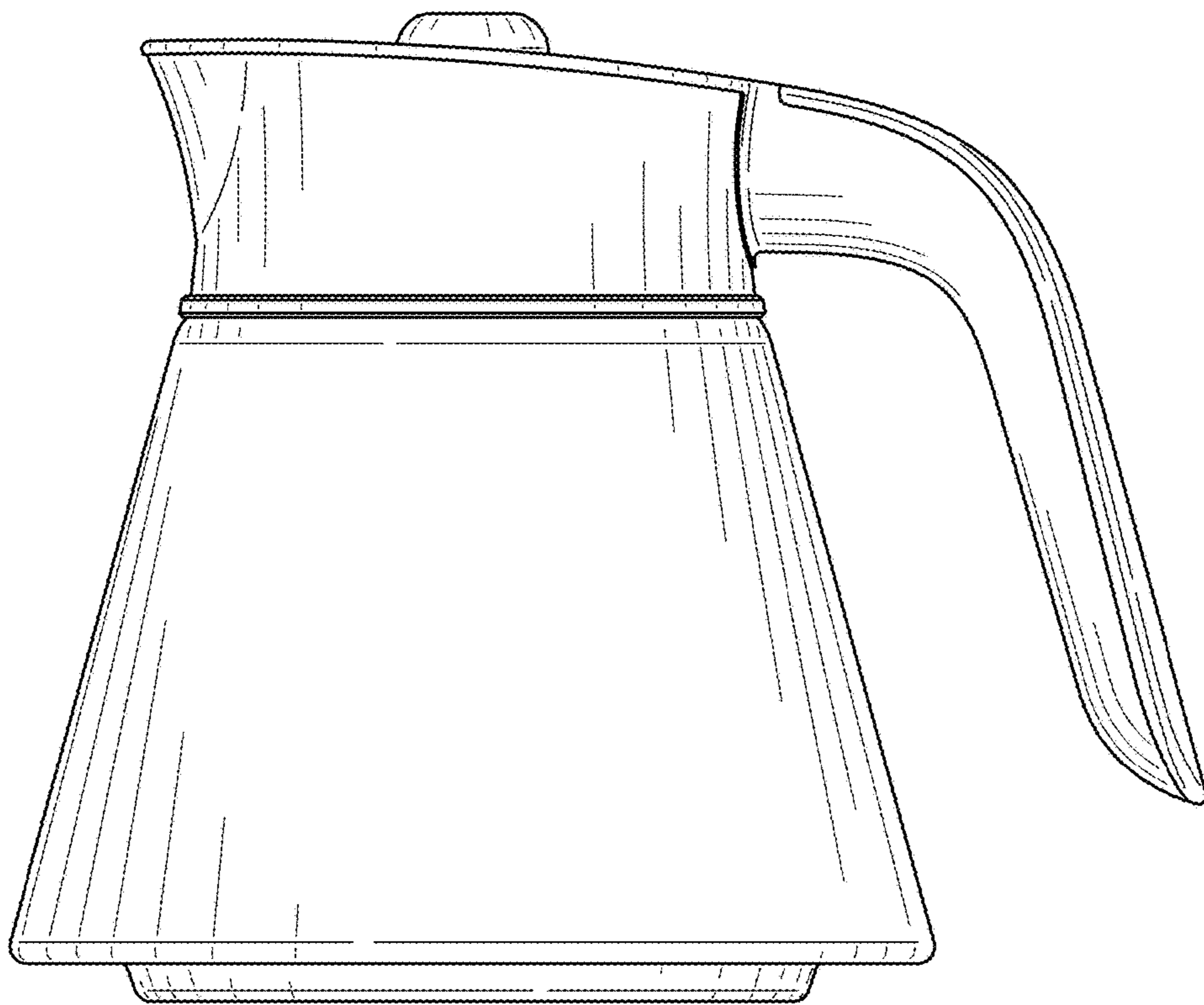


FIG. 10

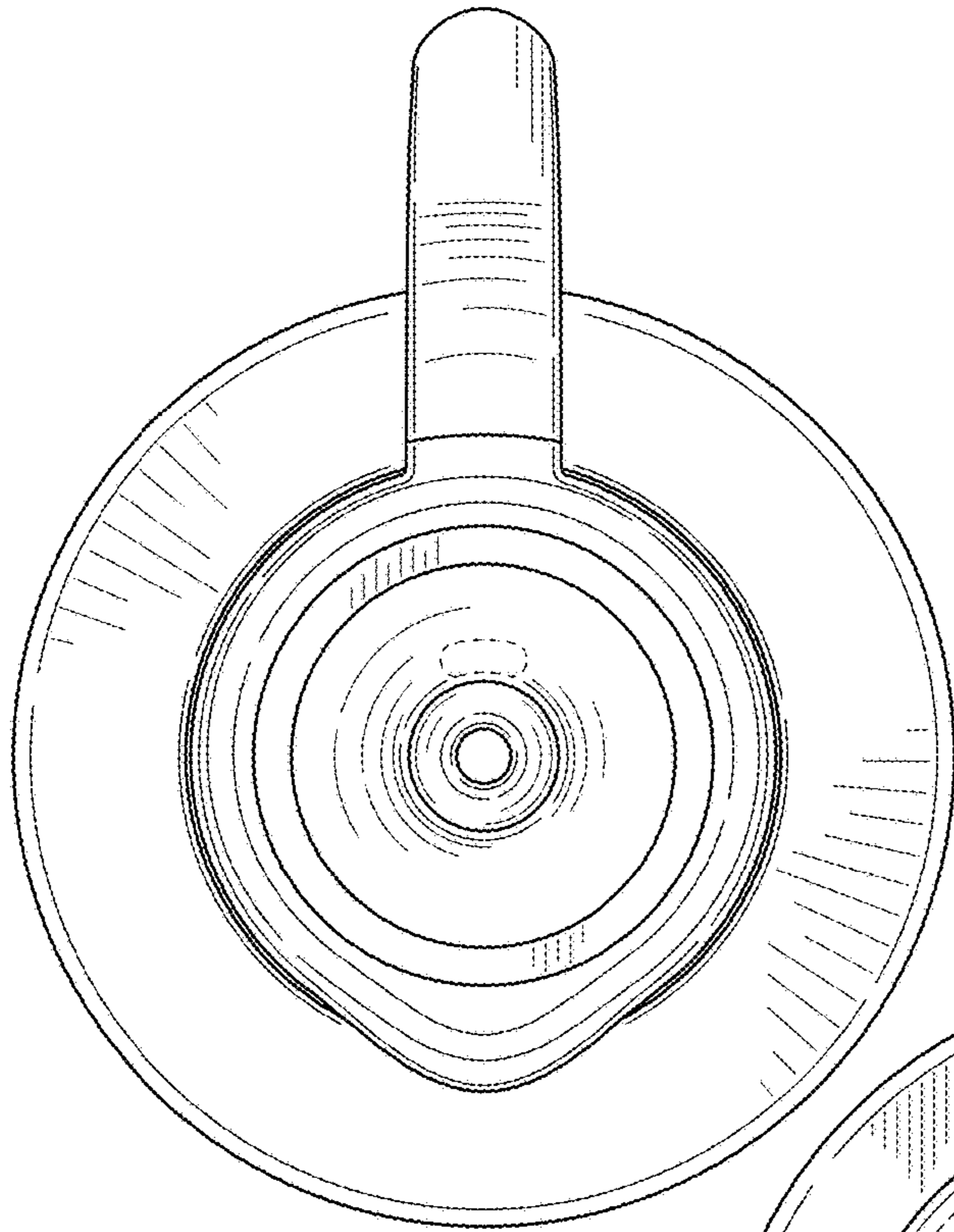


FIG. 11

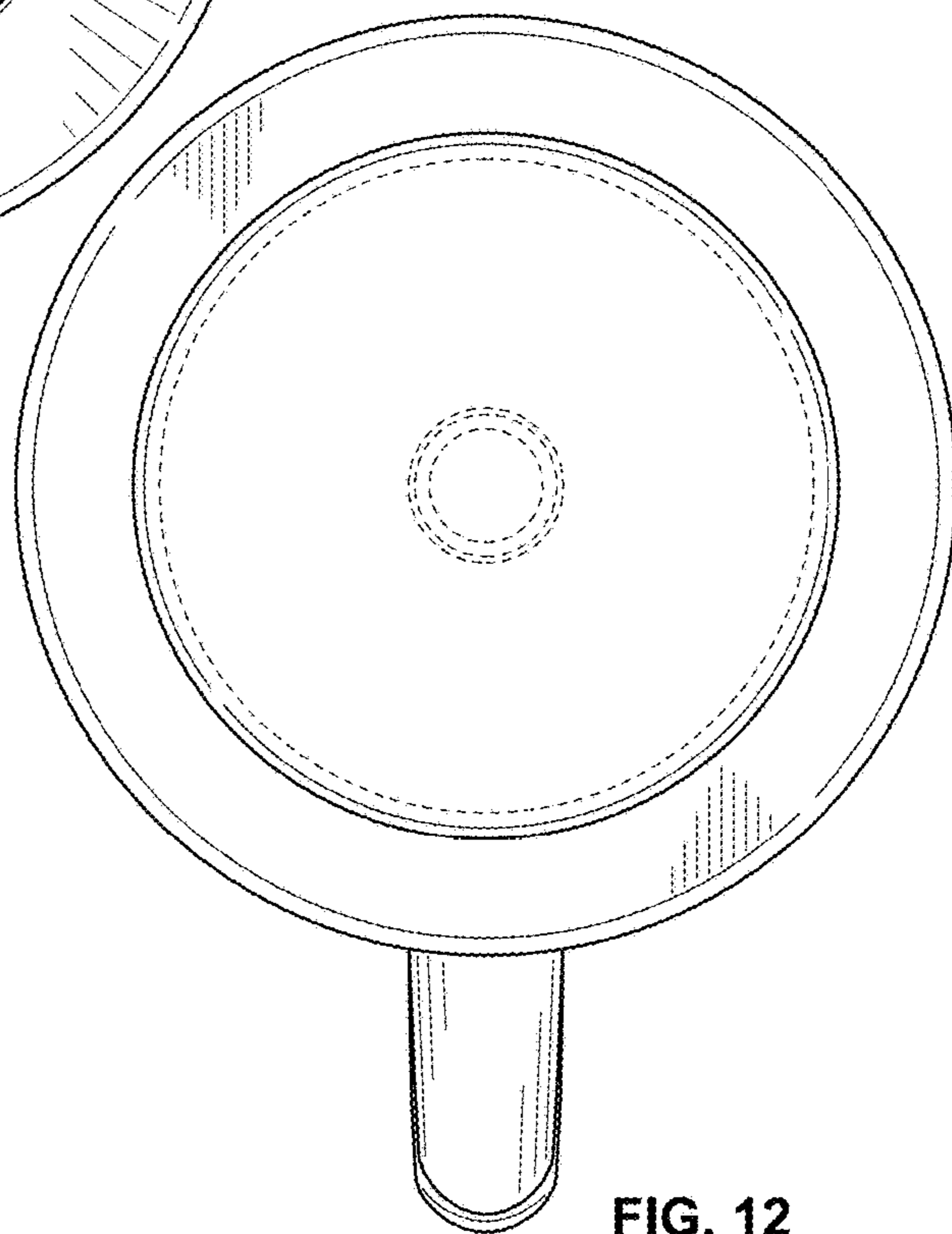


FIG. 12