



US00D832053S

(12) **United States Design Patent** (10) **Patent No.:** **US D832,053 S**
Klimecki (45) **Date of Patent:** **** Oct. 30, 2018**

(54) **BOWL**
(71) Applicant: **STEELITE INTERNATIONAL LTD,**
Stoke-on-Trent (GB)
(72) Inventor: **Andrew Klimecki,** Stoke-on-Trent
(GB)
(73) Assignee: **STEELITE INTERNATIONAL LTD**
(GB)
(**) Term: **15 Years**
(21) Appl. No.: **29/606,807**
(22) Filed: **Jun. 7, 2017**
(51) **LOC (11) Cl.** **07-01**
(52) **U.S. Cl.**
USPC **D7/566**
(58) **Field of Classification Search**
USPC D7/570, 566, 588, 584, 565, 560; D26/9
CPC A47G 19/2205; A47G 2019/122; A47G
19/03
See application file for complete search history.

D526,849 S * 8/2006 Vendl D7/545
D538,599 S * 3/2007 Miller D7/586
D545,630 S * 7/2007 Serra D7/545
D548,014 S * 8/2007 Kell D7/584
D551,025 S * 9/2007 Serra D7/545
D551,510 S * 9/2007 Serra D7/500
D556,501 S * 12/2007 Stewart A23G 1/0076
D7/354
D557,982 S * 12/2007 Ablo D7/409
D557,991 S * 12/2007 Hong D7/587
D574,195 S * 8/2008 LeVan D7/586
D607,616 S * 1/2010 Newsome D30/129
D616,251 S * 5/2010 Heiberg D7/566
D618,512 S * 6/2010 Kimmel D7/554.2
D621,222 S * 8/2010 Heiberg D7/587
D621,664 S * 8/2010 Heiberg D7/587
D644,388 S * 8/2011 Quan D34/1
D656,792 S * 4/2012 Sink D7/318
D661,949 S * 6/2012 Geraghty D7/566
D684,429 S * 6/2013 Lion D7/543
D699,077 S * 2/2014 Ehrenhaus D7/587
D776,491 S * 1/2017 Goldfarb D7/630
D777,992 S * 1/2017 Tsengas D30/129

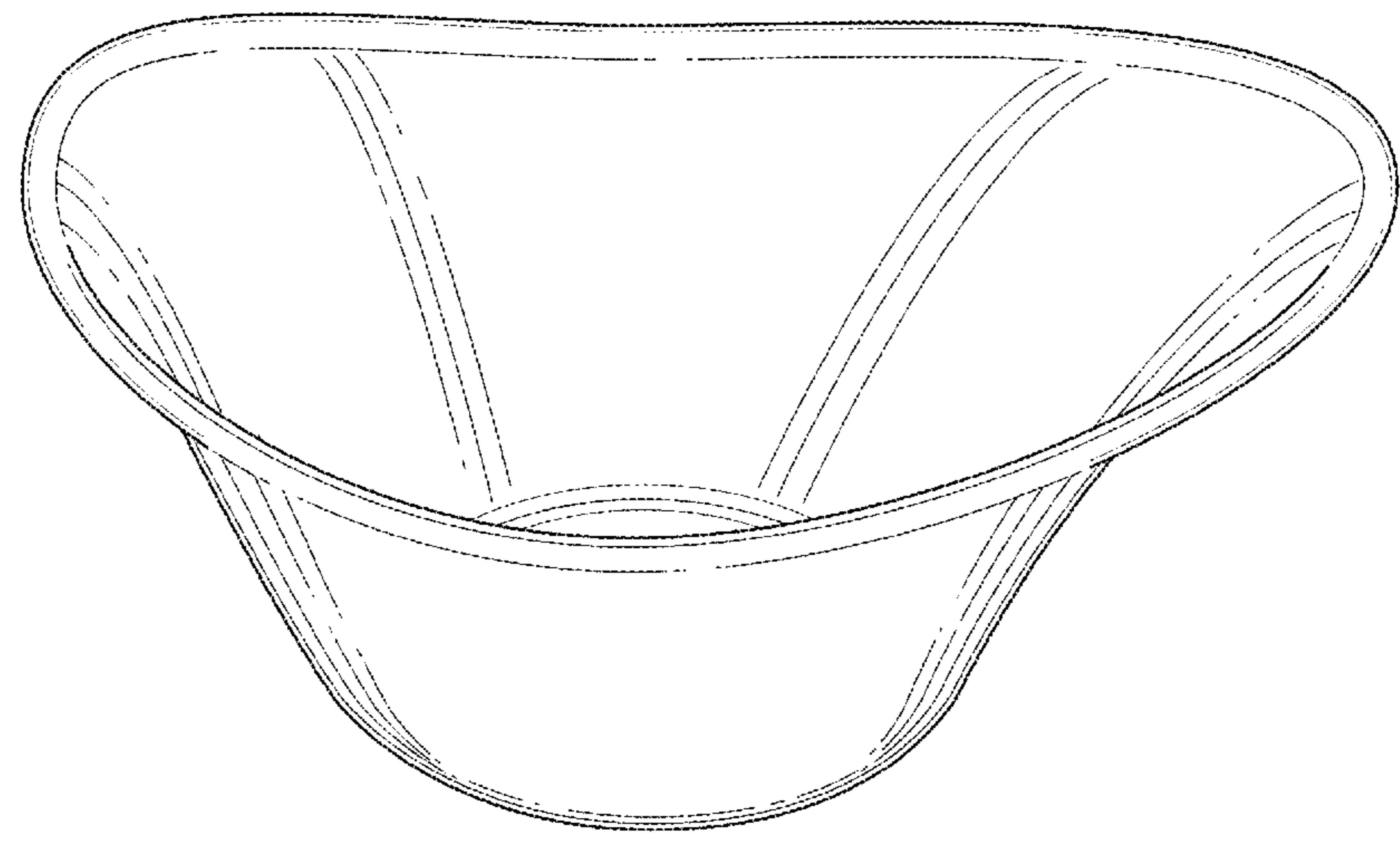
* cited by examiner
Primary Examiner — Cynthia R Underwood
(74) *Attorney, Agent, or Firm* — Gordon Rees Scully
Mansukhani LLP; David R. Heckadon

(56) **References Cited**
U.S. PATENT DOCUMENTS
D50,666 S * 4/1917 Sanford D7/566
D170,735 S * 10/1953 Zeisel D7/543
D170,788 S * 11/1953 Zeisel D7/566
D180,329 S * 5/1957 Highberger 220/574
3,009,599 A * 11/1961 Schier A47G 19/30
206/565
D249,110 S * 8/1978 Newmark D7/509
D443,479 S * 6/2001 Indekeu D7/554.1
D444,350 S * 7/2001 Indekeu D7/554.1
D447,008 S * 8/2001 Indekeu D7/566
D473,754 S * 4/2003 Thun D7/506
D474,940 S * 5/2003 Wellner D7/566
D493,671 S * 8/2004 Lebowitz D7/583
D524,604 S * 7/2006 Vendl D7/545

(57) **CLAIM**
The ornamental design for a bowl, as shown and described.

DESCRIPTION
FIG. 1 is a perspective view of the bowl.
FIG. 2 is a left side elevation view of the bowl.
FIG. 3 is a right side elevation view of the bowl.
FIG. 4 is a top plan view of the bowl.
FIG. 5 is a bottom plan view of the bowl.
FIG. 6 is a front elevation view of the bowl; and,
FIG. 7 is a back elevation view of the bowl.

1 Claim, 7 Drawing Sheets



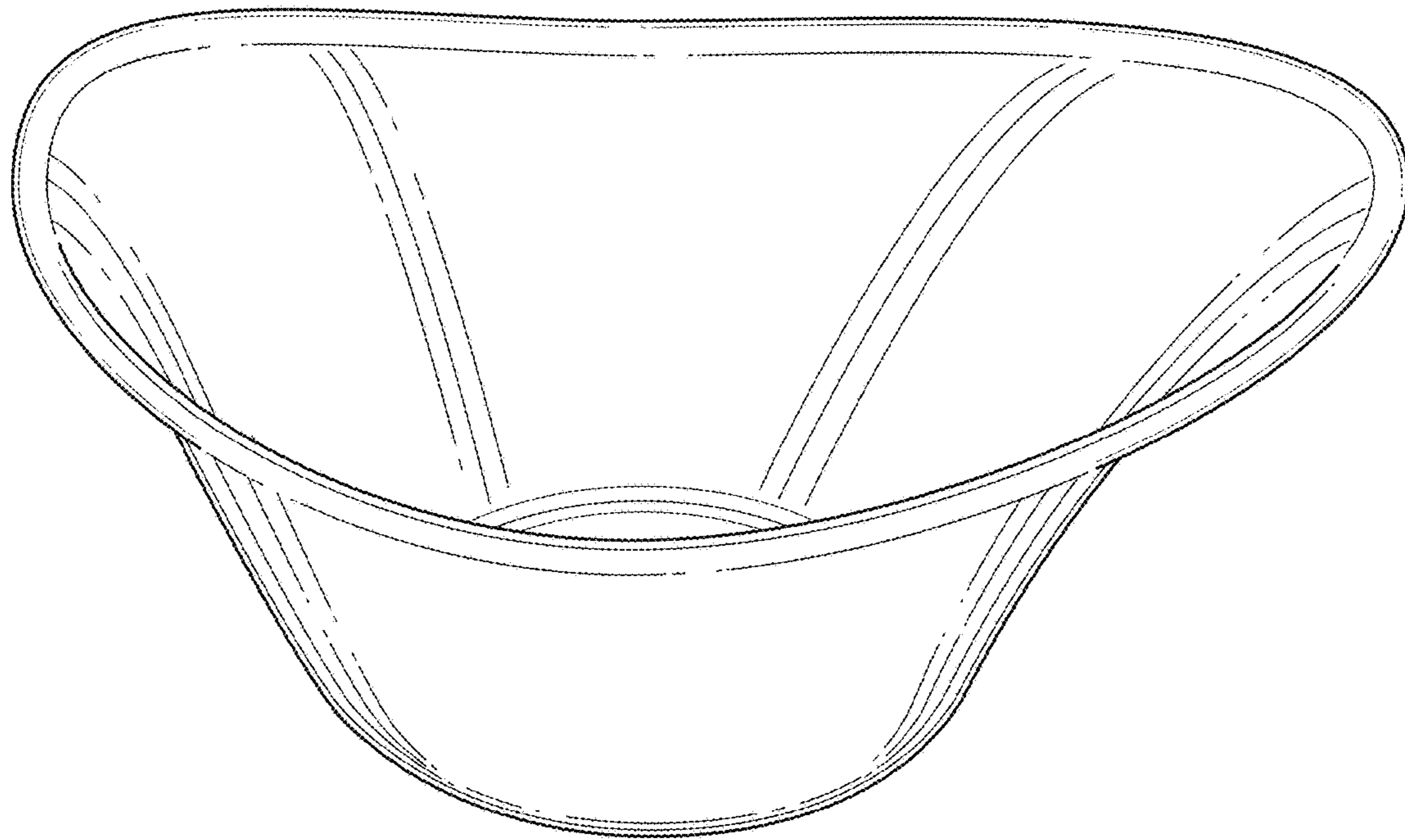


FIG. 1

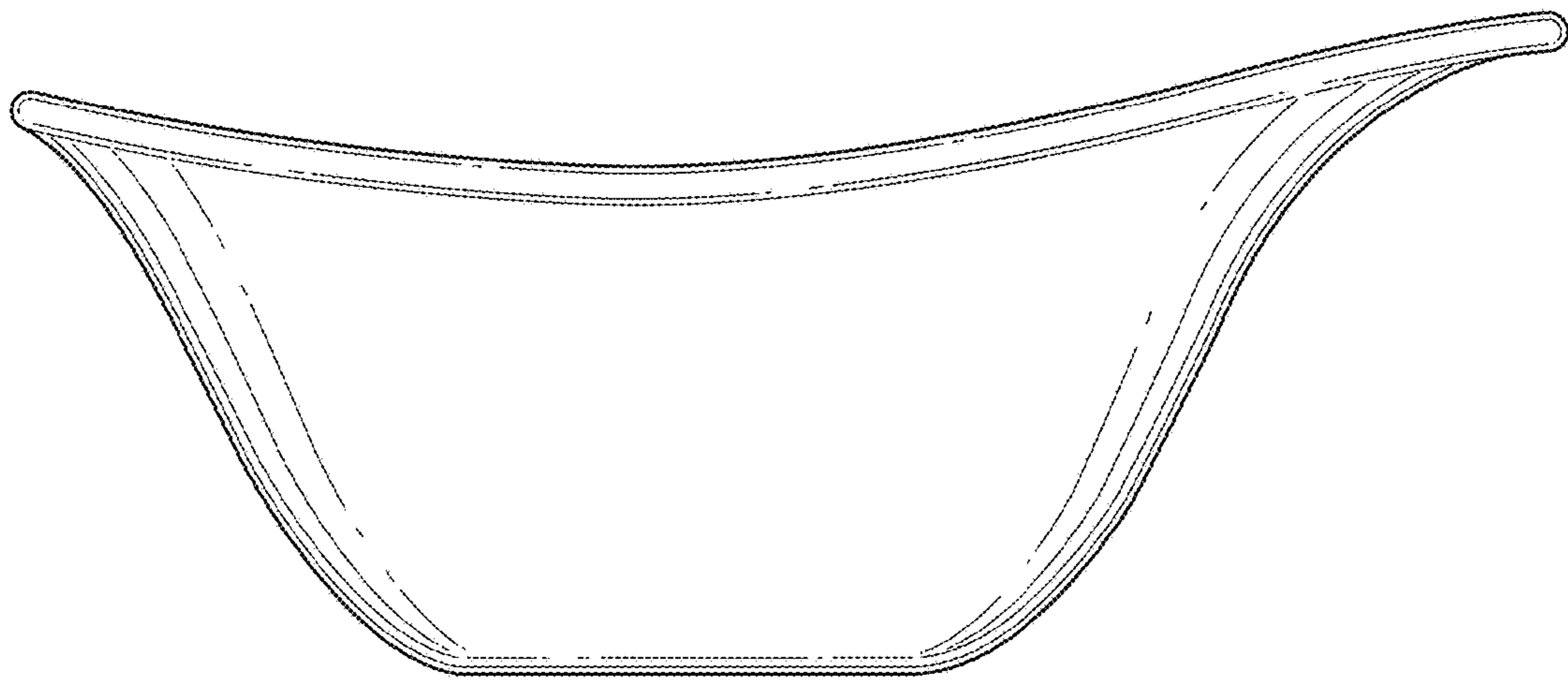


FIG. 2

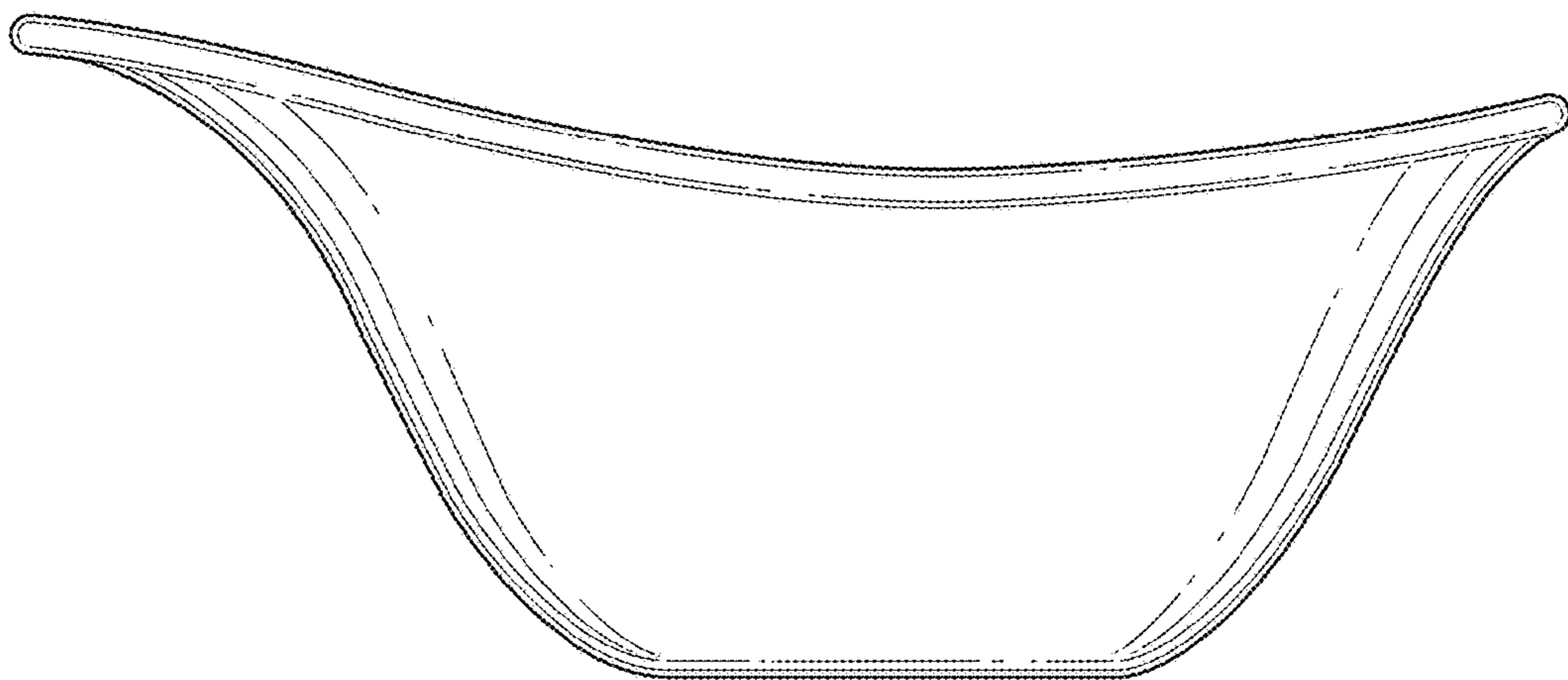


FIG. 3

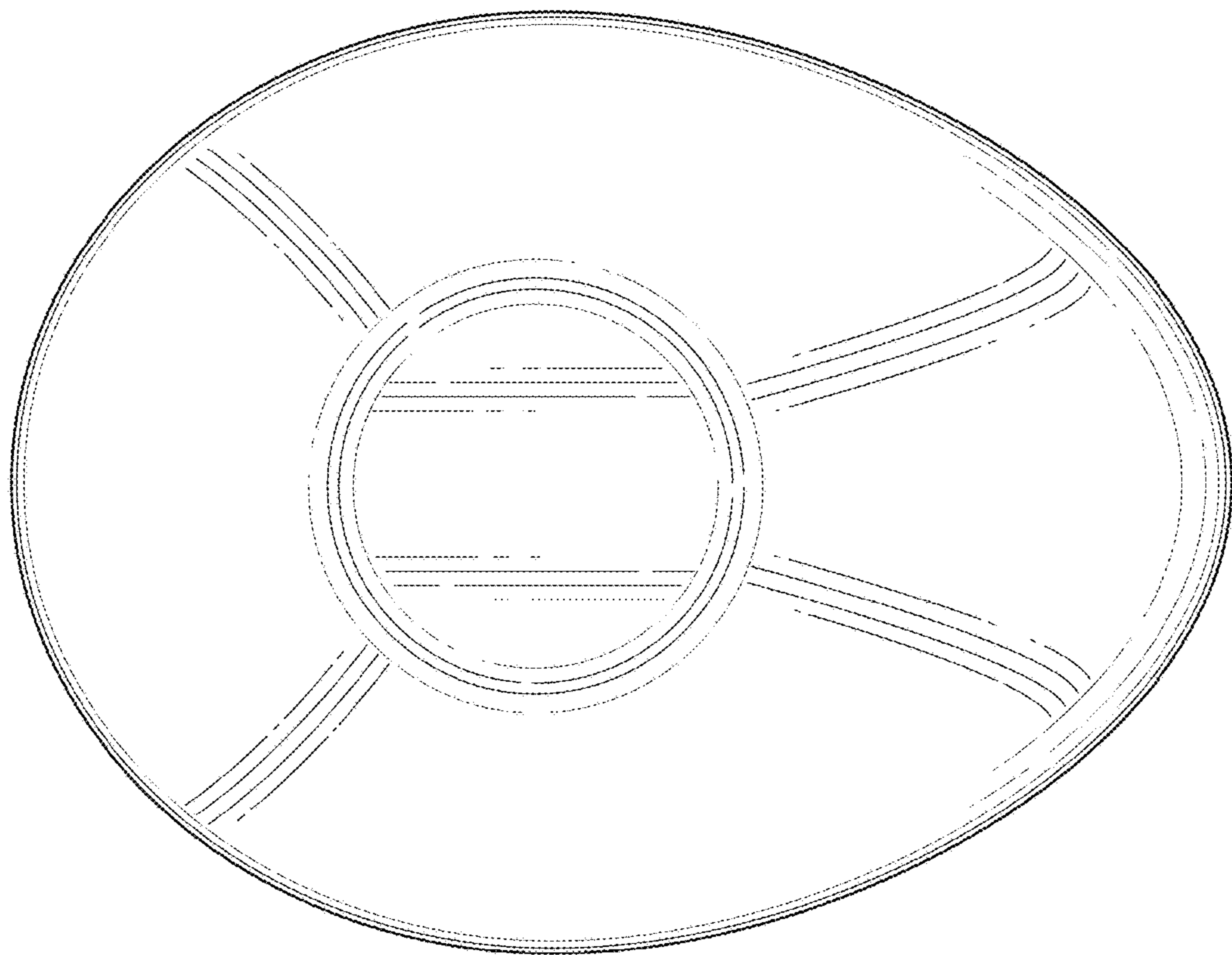


FIG. 4

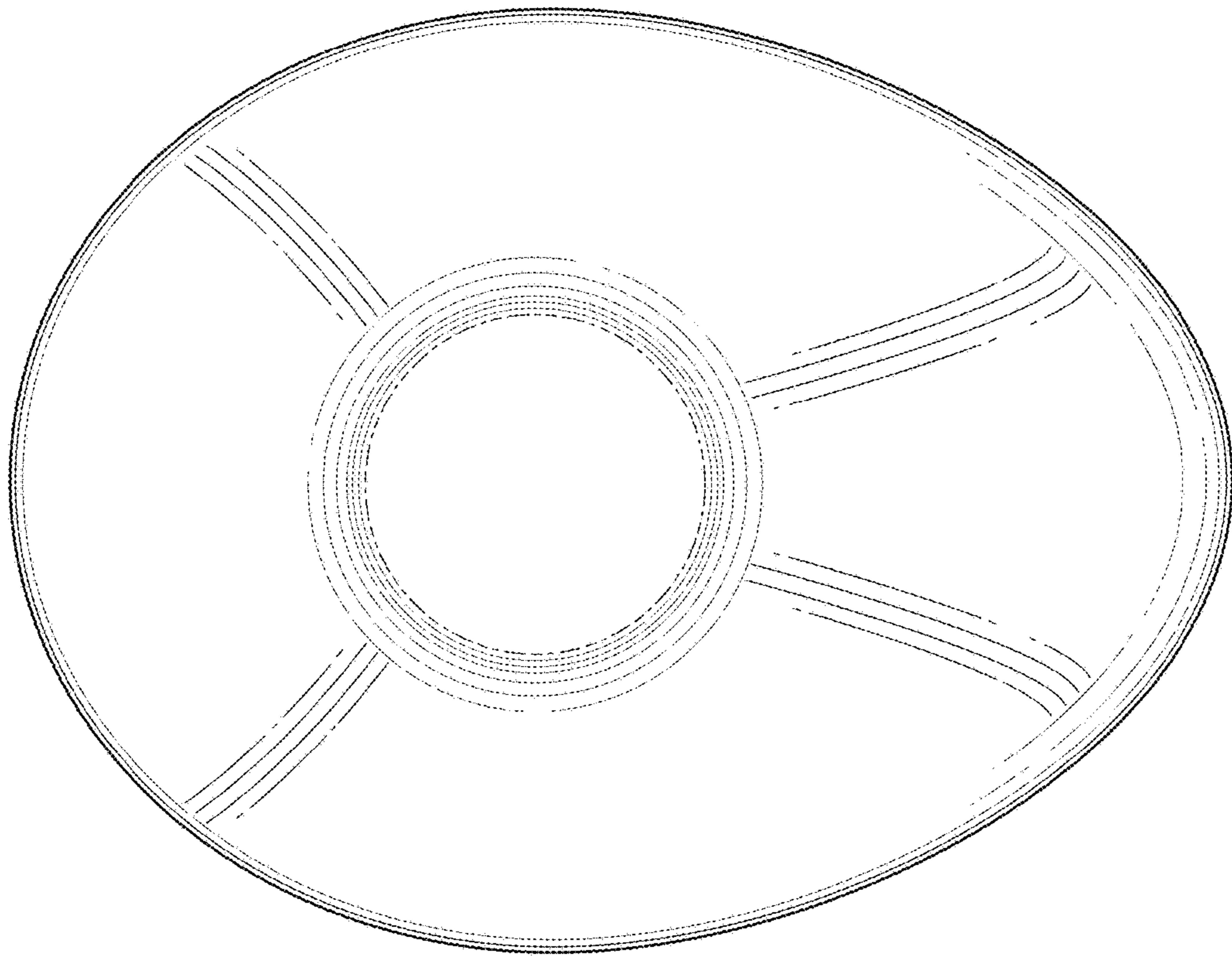


FIG. 5

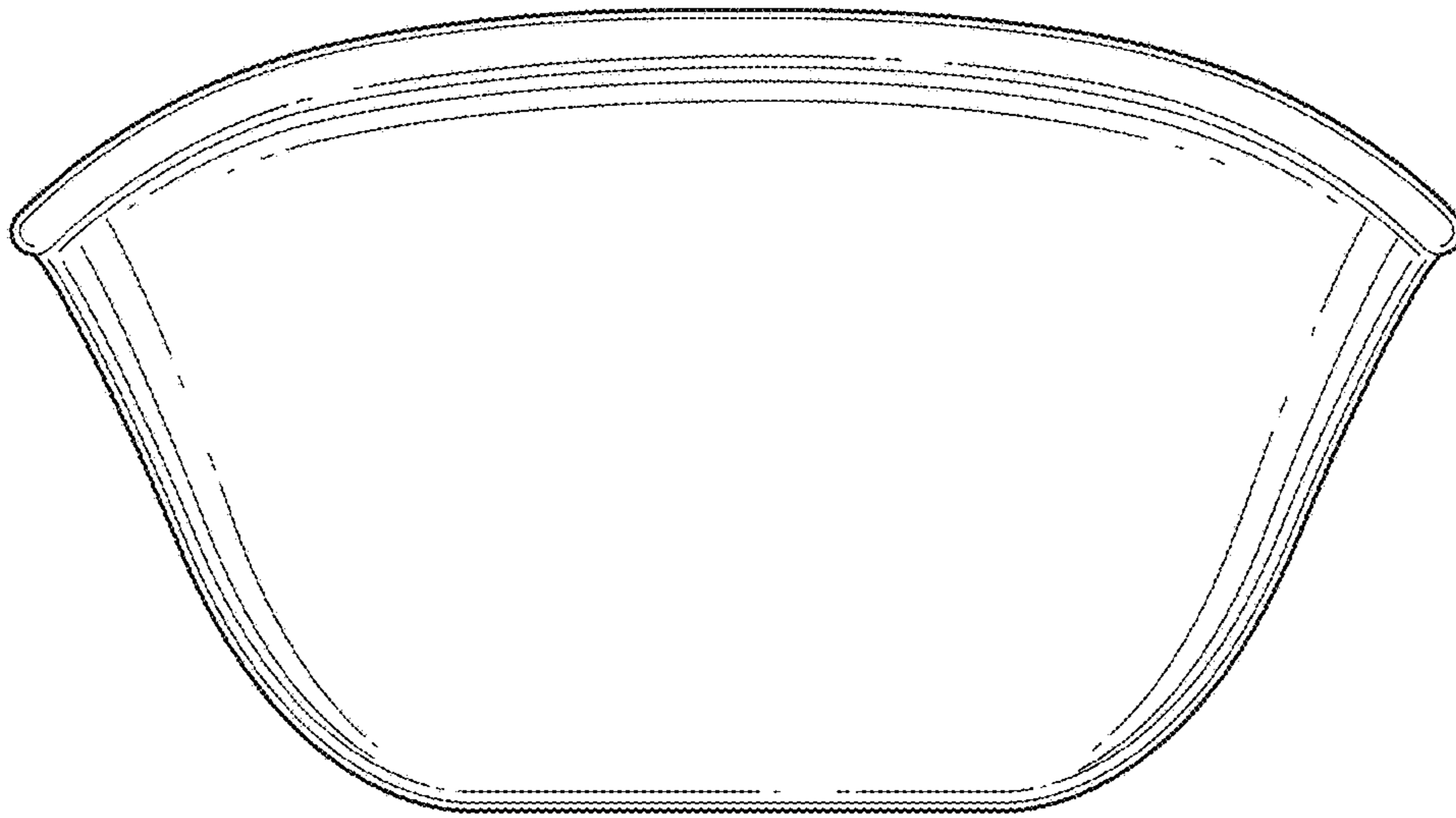


FIG. 6

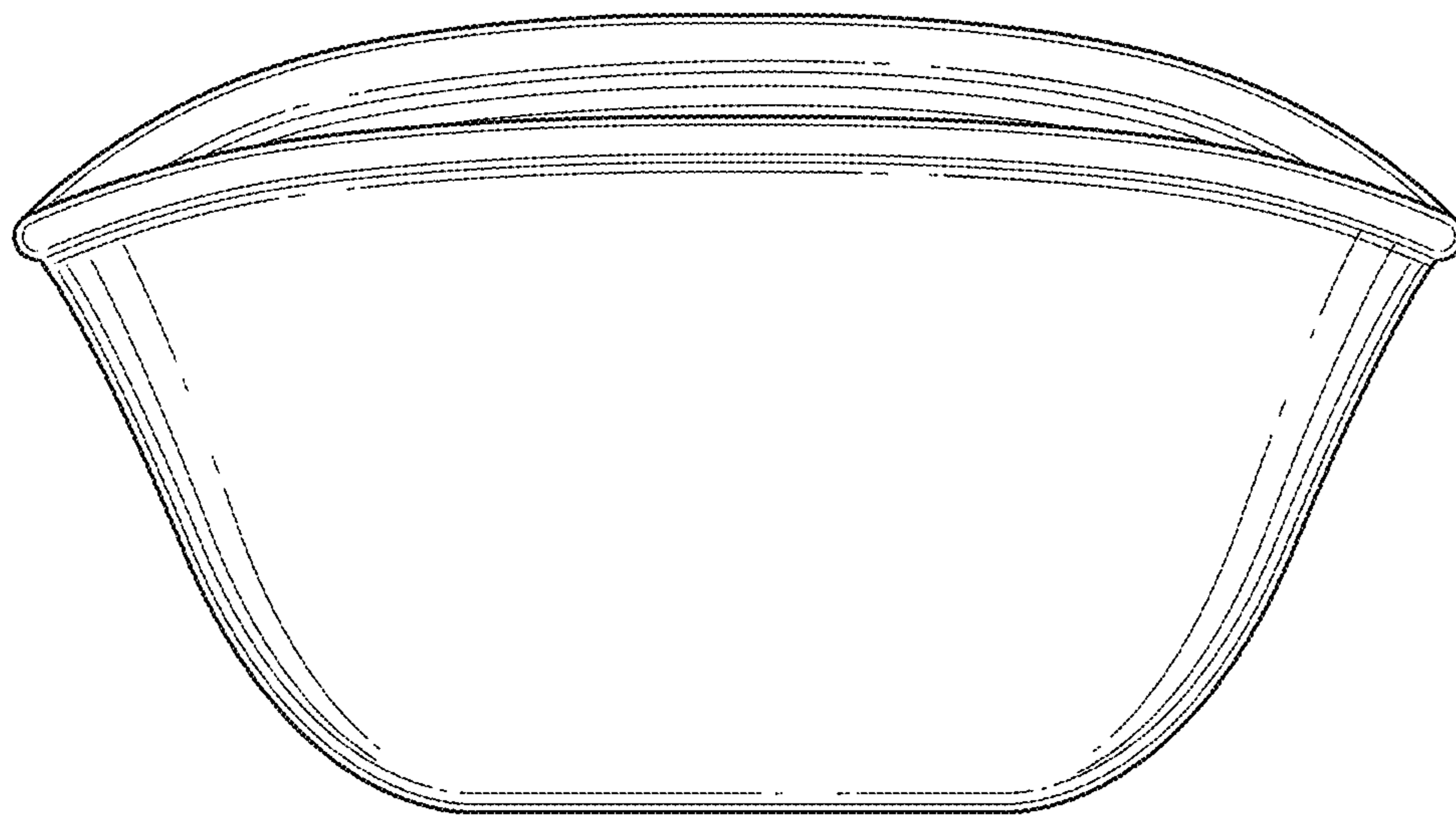


FIG. 7