

US00D832052S

(12) **United States Design Patent** (10) **Patent No.:** **US D832,052 S**
Sonnichsen et al. (45) **Date of Patent:** **** Oct. 30, 2018**

- (54) **DRINKING VESSEL**
- (71) Applicant: **GrowlerWerks, Inc.**, Portland, OR (US)
- (72) Inventors: **Brian Edward Sonnichsen**, Portland, OR (US); **Shawn Leland Huff**, Portland, OR (US); **Evan Christopher Rege**, Portland, OR (US)
- (73) Assignee: **GrowleyWerks, Inc.**, Portland, OR (US)
- (**) Term: **15 Years**
- (21) Appl. No.: **29/599,687**
- (22) Filed: **Apr. 5, 2017**
- (51) **LOC (11) Cl.** **07-01**
- (52) **U.S. Cl.**
USPC **D7/531; D7/523**
- (58) **Field of Classification Search**
USPC D7/509, 510, 511, 523, 532, 534, 536, D7/300.1, 533, 394, 395, 531, 608, 529, D7/513, 507, 213; D24/197; 220/592.16, 220/592.17, 704, 705, 706, 707; D9/435, D9/447, 429, 553, 566
CPC A47G 19/22; A47G 19/2205; A47G 19/2211; A47G 19/2266; A47G 19/2288; B65D 47/066; B65D 43/02; B65D 43/04; A47J 43/27; A47J 41/02
See application file for complete search history.

(56) **References Cited**

U.S. PATENT DOCUMENTS

- D8,390 S * 6/1875 Pears D7/536
- 2,021,495 A * 11/1935 Anderson A47J 43/27
366/130
- D255,339 S * 6/1980 Christian D11/152
- D345,105 S * 3/1994 Ramsey D9/556
- D433,876 S * 11/2000 Freed D7/523

- D439,167 S * 3/2001 Lichtman D9/539
- D441,294 S * 5/2001 Lichtman D9/539
- D472,101 S * 3/2003 Janky D7/523
- D507,152 S * 7/2005 Trombly D7/531
- D525,138 S * 7/2006 Shmagin D9/520
- D527,643 S * 9/2006 Gottlieb D9/520
- D545,199 S * 6/2007 MacLean D9/517
- D557,561 S * 12/2007 Flowers D7/509
- D609,053 S * 2/2010 Dingenouts D7/509
- D639,113 S * 6/2011 Hayes D7/509
- D644,064 S * 8/2011 DuBois D30/129
- D648,599 S * 11/2011 Watanabe D7/509
- D659,473 S * 5/2012 Ghiassi D7/510
- D673,421 S * 1/2013 Chiu D7/396.2
- D721,924 S * 2/2015 Trafton D7/507
- D727,686 S * 4/2015 Meyerhoffer D7/509
- D744,279 S * 12/2015 Arciero D7/510

(Continued)

Primary Examiner — Marianne Pandozzi

Assistant Examiner — Jae Liang

(74) *Attorney, Agent, or Firm* — Miller Nash Graham & Dunn LLP; Kevin S. Ross

(57) **CLAIM**

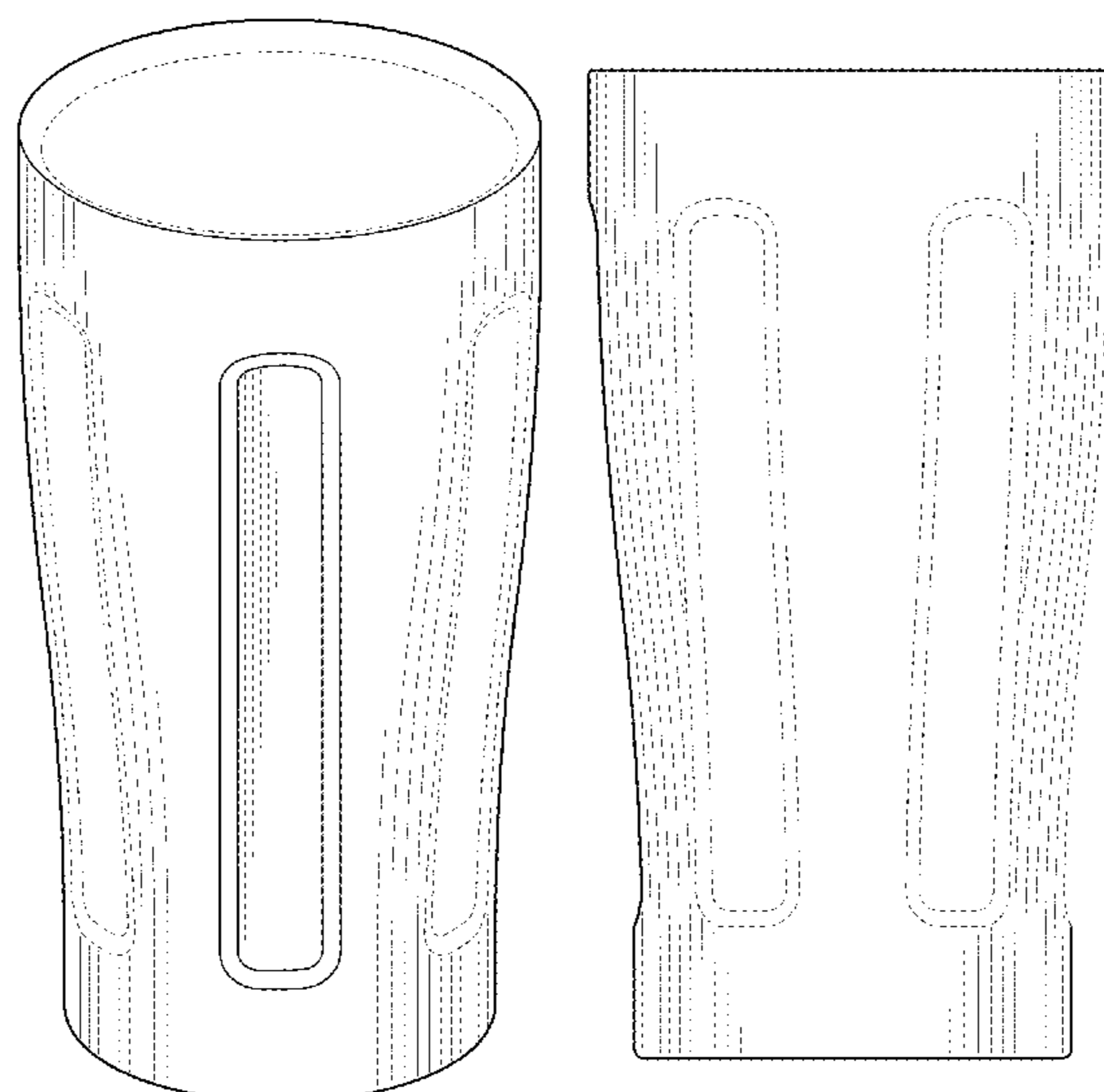
The ornamental design for a drinking vessel, as shown and described.

DESCRIPTION

FIG. 1 is a top perspective view of a drinking vessel showing our new design;
 FIG. 2 is a front elevational view thereof;
 FIG. 3 is a rear elevational view thereof;
 FIG. 4 is a right side elevational view thereof; the opposite side being a mirror image thereof;
 FIG. 5 is a top view thereof;
 FIG. 6 is a bottom view thereof; and,
 FIG. 7 is a cross-section view thereof taken along the line 7-7 in FIG. 2.

The broken lines in the drawings depict portions of the drinking vessel that form no part of the claimed design.

1 Claim, 6 Drawing Sheets



(56)

References Cited

U.S. PATENT DOCUMENTS

D754,482 S *	4/2016	Cha	D7/523
D762,418 S *	8/2016	Sorensen	D7/511
D770,289 S *	11/2016	Evans	D9/538
D799,274 S *	10/2017	Hewitt	D7/531
D811,817 S *	3/2018	Harrington, III	D7/510
2004/0007553 A1 *	1/2004	Smolko	A41D 13/0053
			215/12.1
2014/0124470 A1 *	5/2014	Alberts	A47G 19/2288
			215/12.1

* cited by examiner

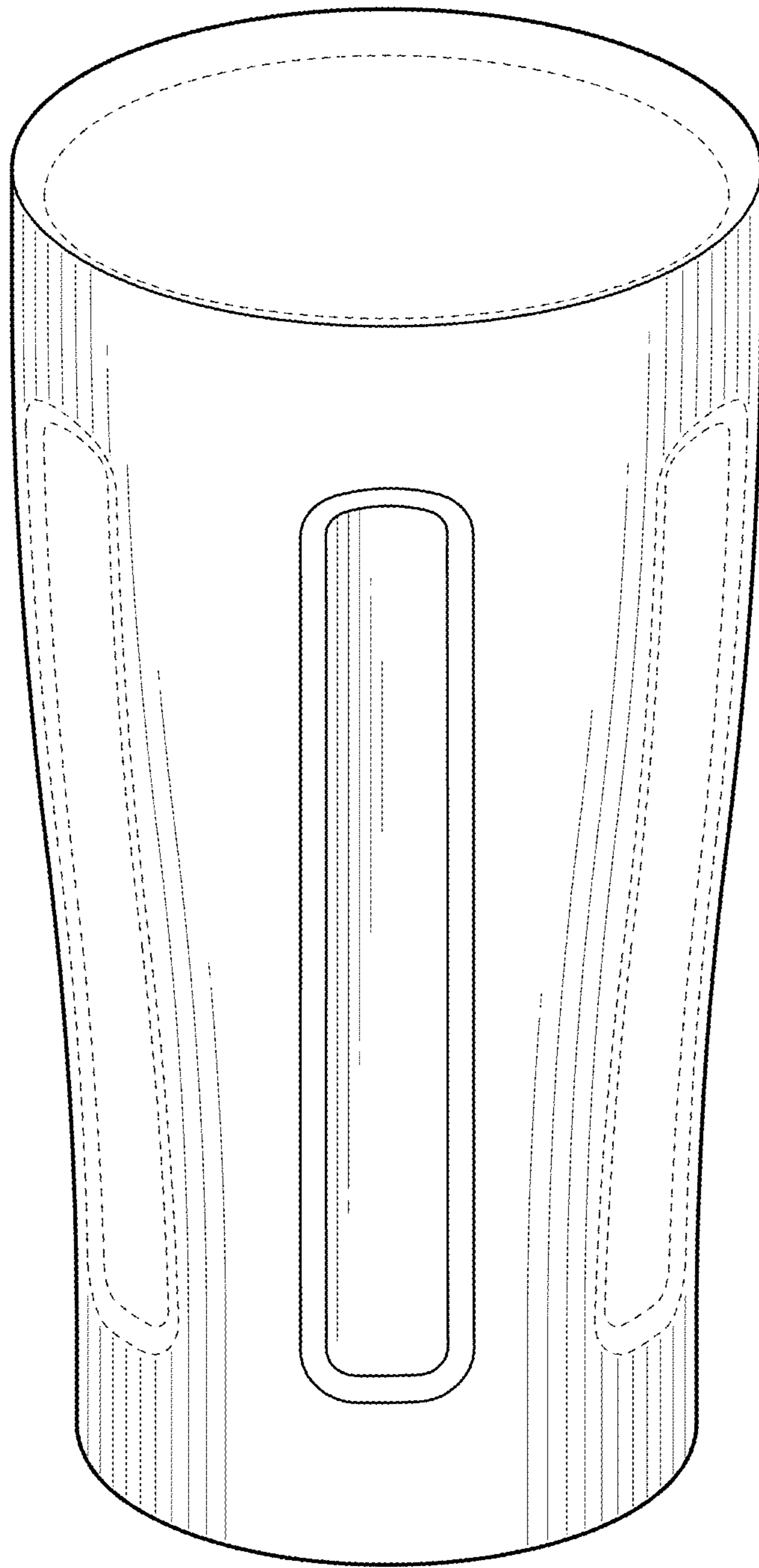


FIG. 1

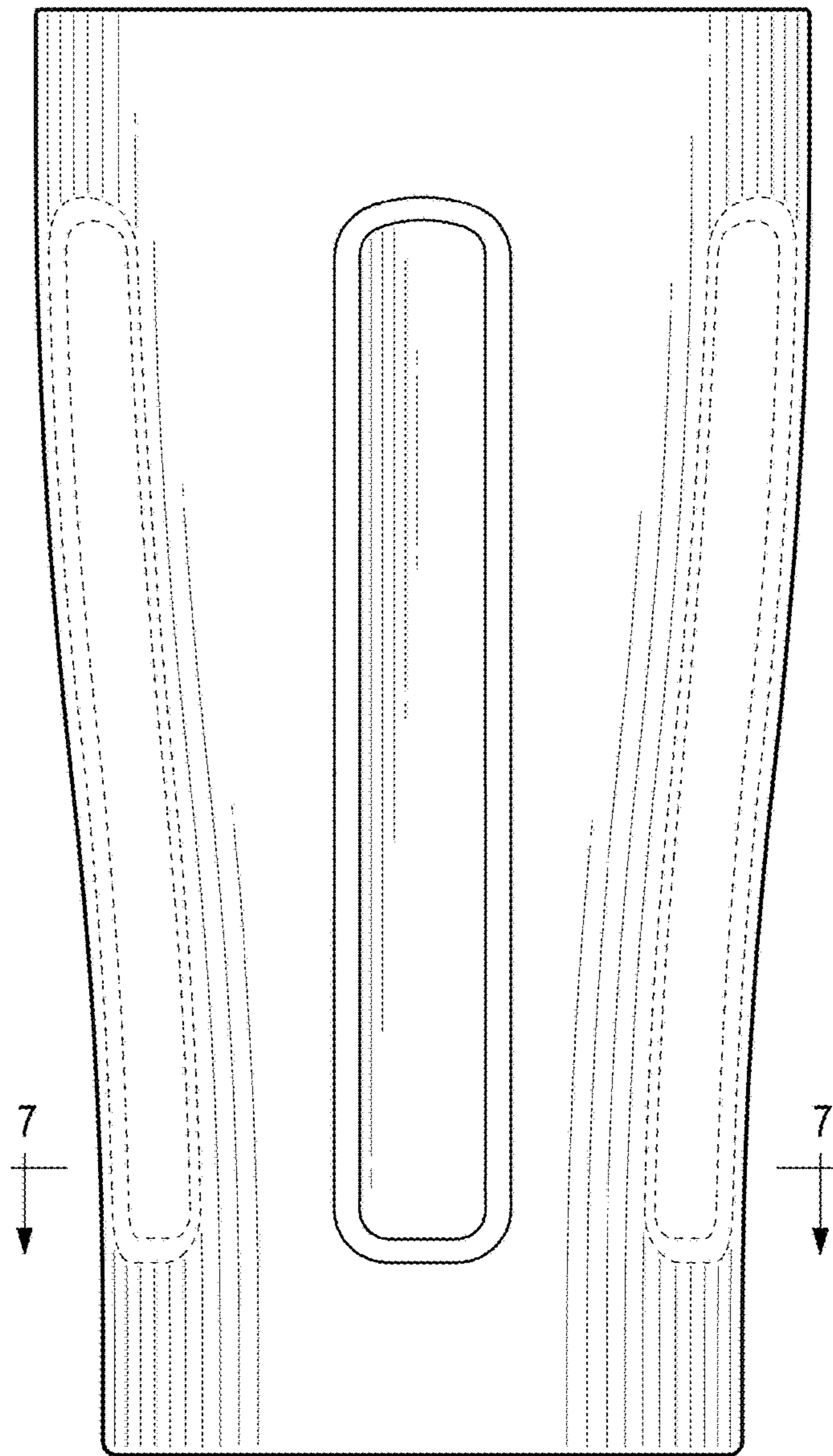


FIG. 2

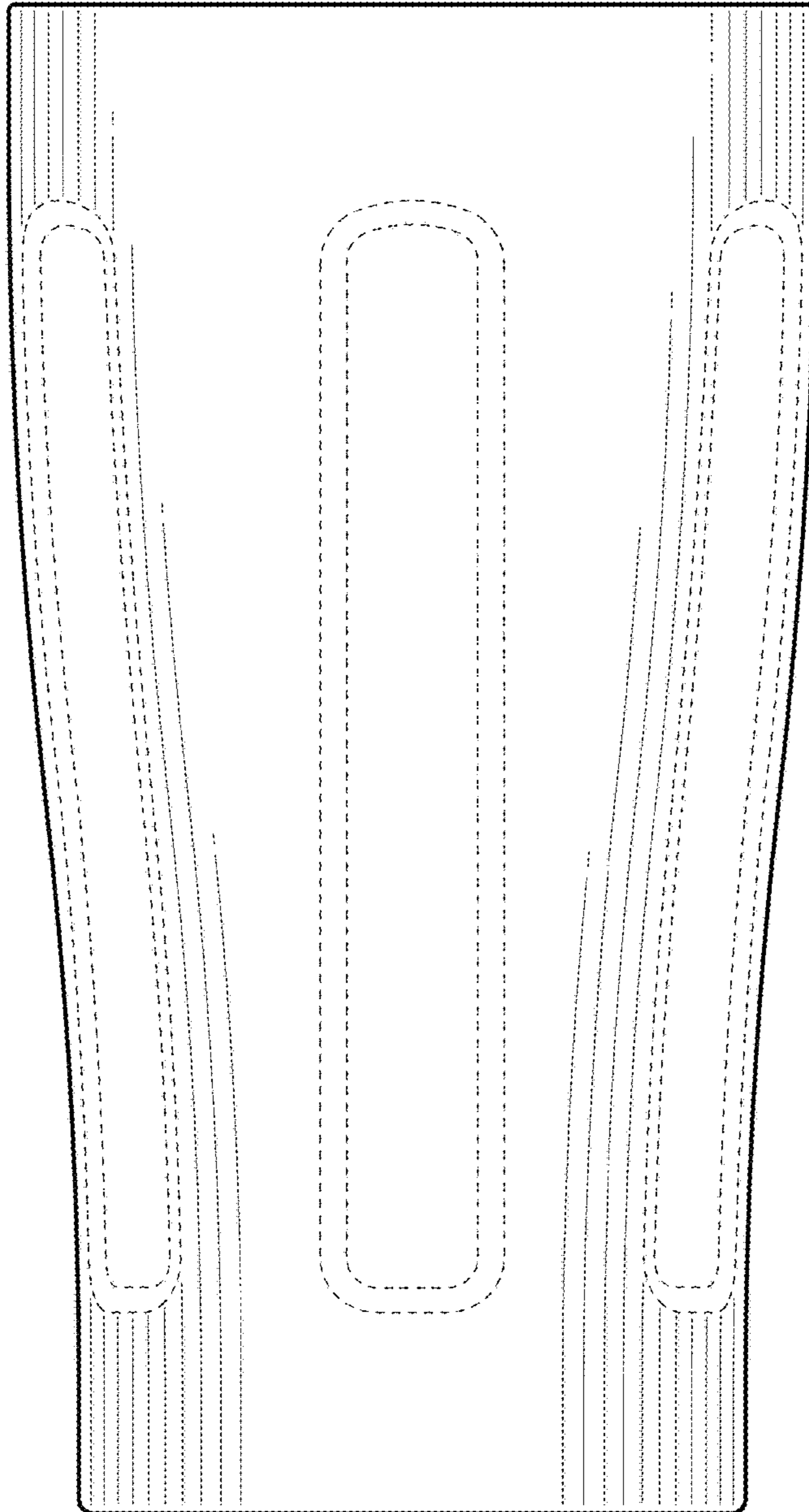


FIG. 3

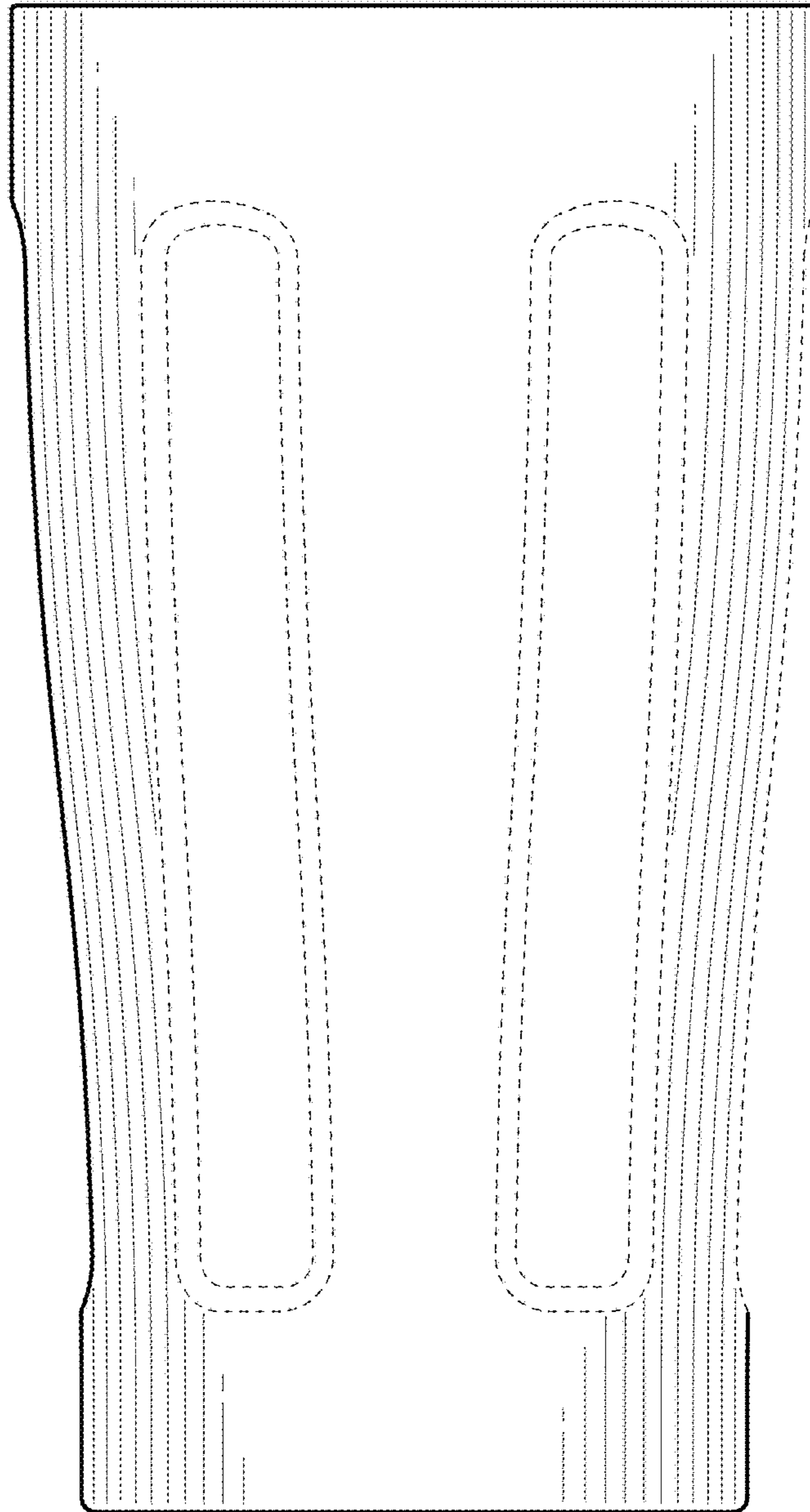


FIG. 4

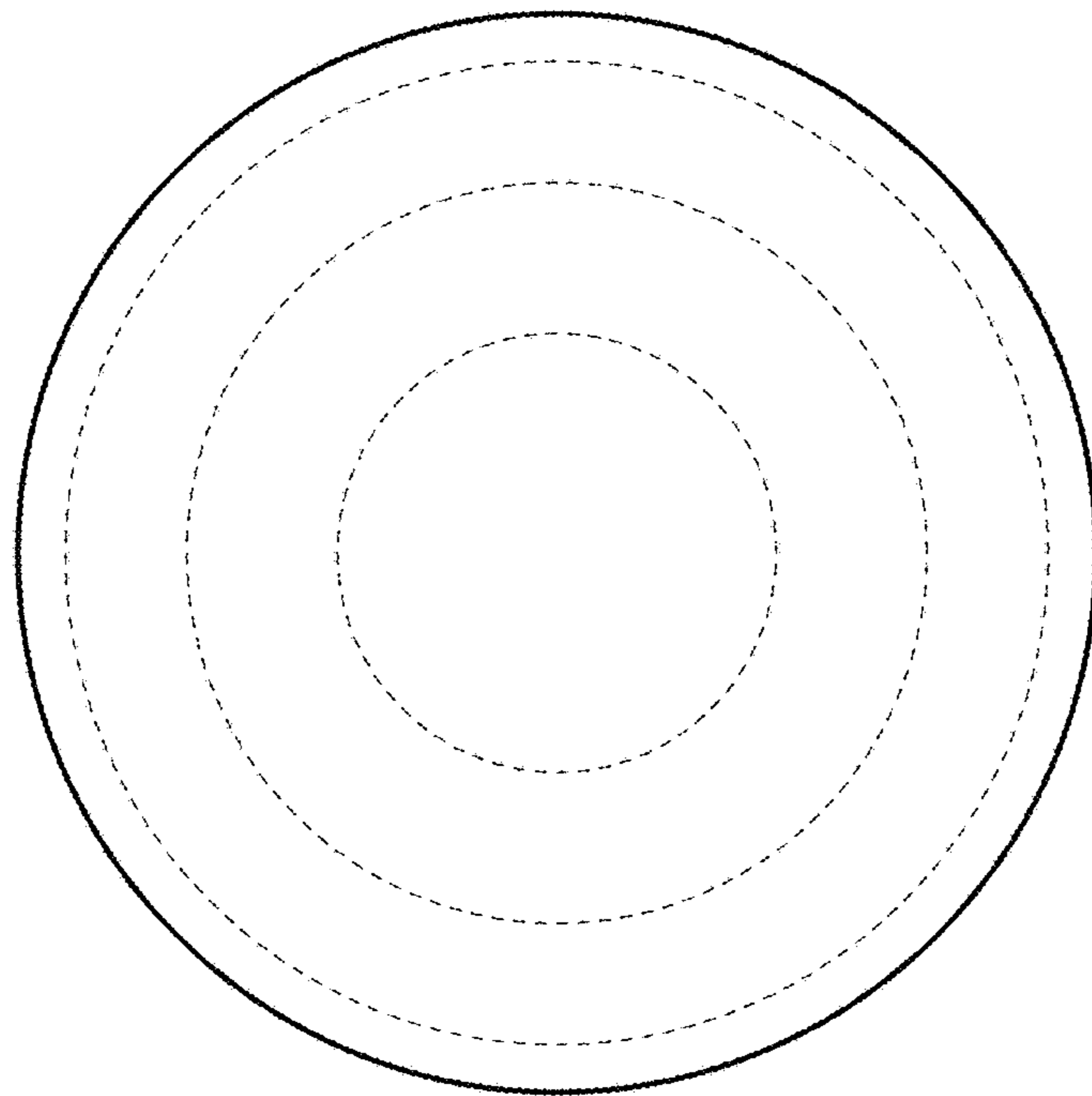


FIG. 5

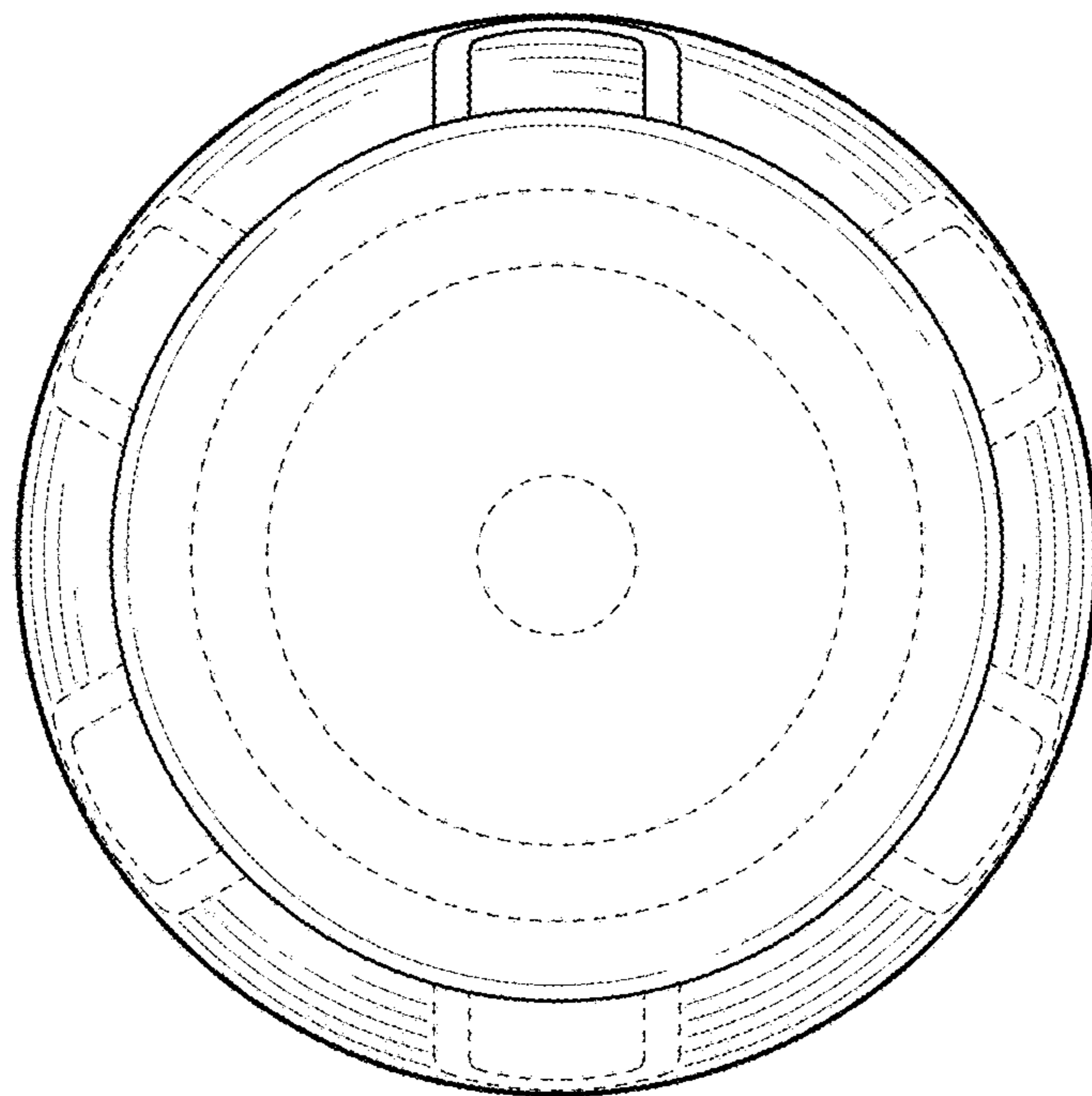


FIG. 6

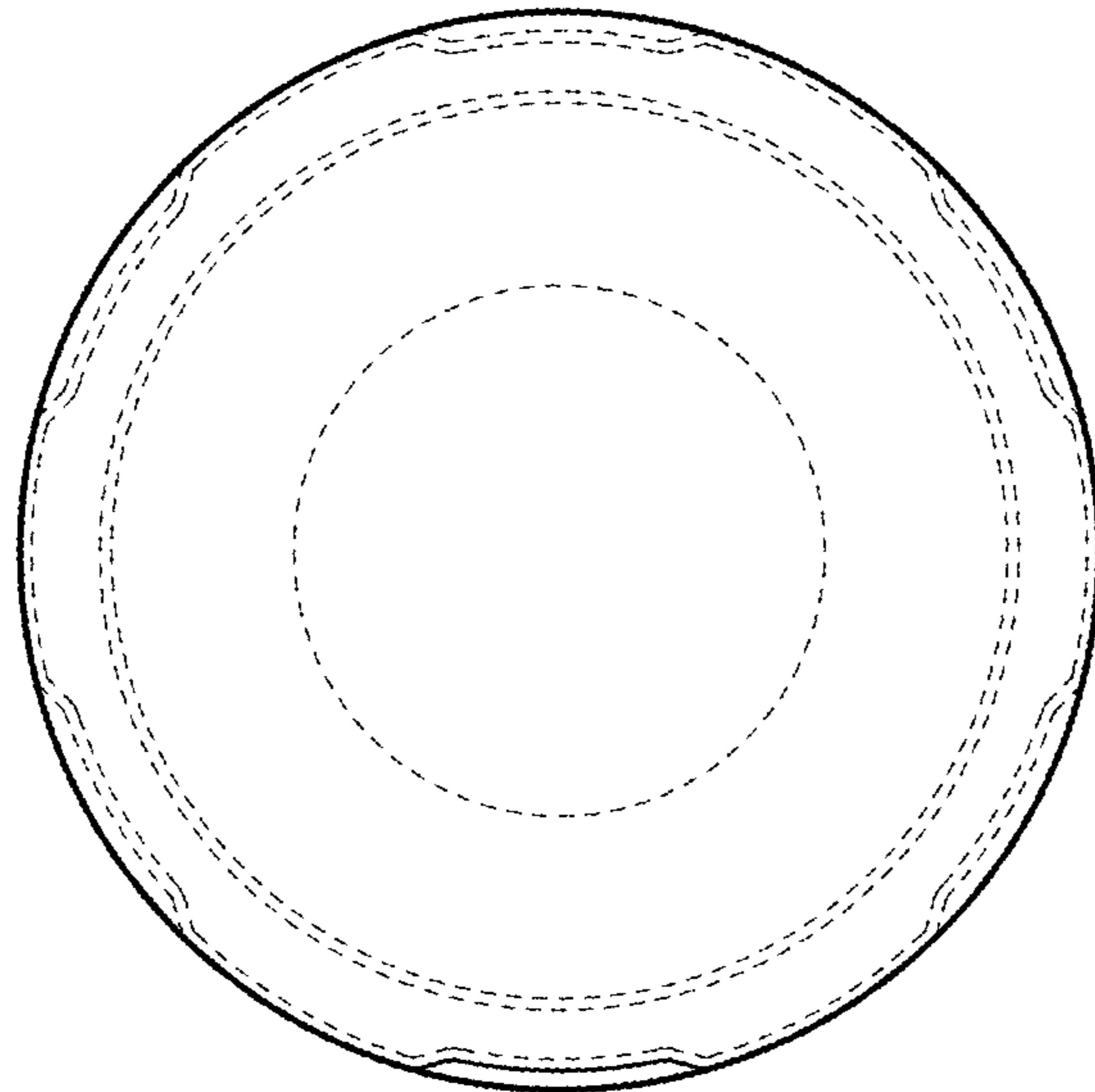


FIG. 7