



US00D832051S

(12) **United States Design Patent** (10) **Patent No.:** **US D832,051 S**
Charleson et al. (45) **Date of Patent:** **** Oct. 30, 2018**

(54) **COLLAPSIBLE DRINKING CONTAINER**

(71) Applicants: **Brandon Charleson**, Clearfield, UT (US); **John Reyes**, Valley Springs, CA (US)

(72) Inventors: **Brandon Charleson**, Clearfield, UT (US); **John Reyes**, Valley Springs, CA (US)

(**) Term: **15 Years**

(21) Appl. No.: **29/601,736**

(22) Filed: **Apr. 25, 2017**

(51) **LOC (11) Cl.** **07-01**

(52) **U.S. Cl.**
USPC **D7/512**

(58) **Field of Classification Search**
USPC D7/509–512, 300, 300.1, 213, 523, 532;
D9/516, 559, 564, 695
CPC A47G 19/22; A47G 19/2205; A47G 2019/2277; A45F 3/16; A45F 3/20; A45F 2003/206; A47J 43/27; B65D 1/40
See application file for complete search history.

(56) **References Cited**

U.S. PATENT DOCUMENTS

- 5,439,128 A * 8/1995 Fishman A45F 3/20 206/218
- D580,227 S * 11/2008 Roth D7/392.1
- D664,003 S * 7/2012 Nagoya D7/400
- D675,482 S * 2/2013 Heggstad D7/400
- D687,262 S * 8/2013 Bucceri A47G 19/2288 D7/509

(Continued)

Primary Examiner — Derrick Holland

Assistant Examiner — Andrew Kerr

(74) *Attorney, Agent, or Firm* — Franklin & Associates International Inc; Matthew Lambrinos

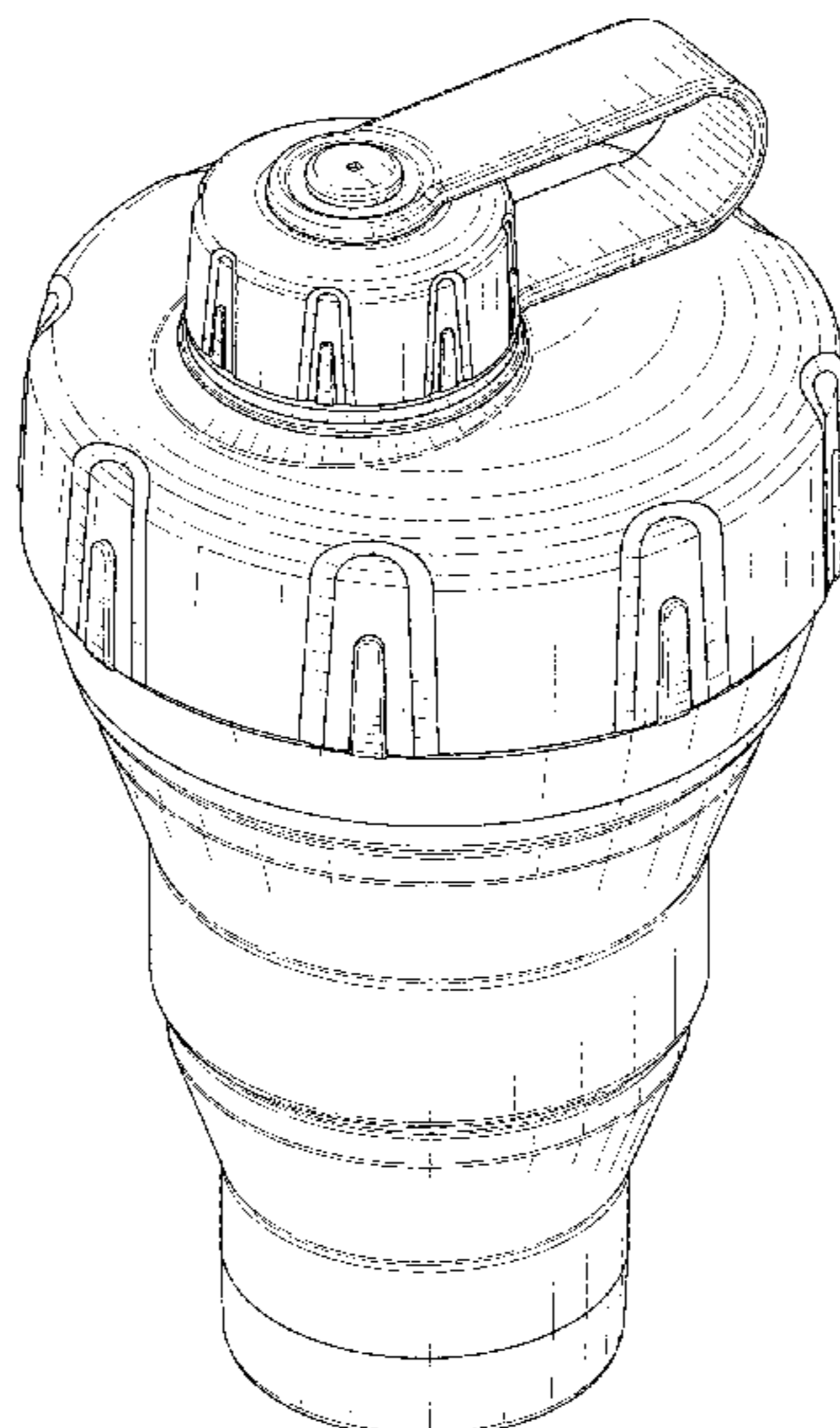
(57) **CLAIM**

The ornamental design for a collapsible drinking container, as shown and described.

DESCRIPTION

FIG. 1 is a top perspective view of a collapsible drinking container showing my new design;
 FIG. 2 is a front end view of the collapsible drinking container of FIG. 1;
 FIG. 3 is a right side elevation view of the collapsible drinking container of FIG. 1;
 FIG. 4 is a left side elevation view of the collapsible drinking container of FIG. 1;
 FIG. 5 is a rear end view of the collapsible drinking container of FIG. 1;
 FIG. 6 is a top plan view of the collapsible drinking container of FIG. 1; the top plan view of the collapsible drinking container in a collapsed state being identical to the top plan view shown in FIG. 6;
 FIG. 7 is a bottom plan view of the collapsible drinking container of FIG. 1;
 FIG. 8 is a bottom perspective view of the collapsible drinking container of FIG. 1;
 FIG. 9 is a bottom perspective view of the collapsible drinking container of FIG. 1 in a collapsed state;
 FIG. 10 is a front end view of the collapsible drinking container of FIG. 1 in a collapsed state;
 FIG. 11 is a right side elevation view of the collapsible drinking container of FIG. 1 in a collapsed state;
 FIG. 12 is a left side elevation view of the collapsible drinking container of FIG. 1 in a collapsed state;
 FIG. 13 is a rear end view of the collapsible drinking container of FIG. 1 in a collapsed state; and,
 FIG. 14 is a bottom plan view of the collapsible drinking container of FIG. 1 in a collapsed state.
 The shade lines in the Figures show contour and not surface ornamentation.
 The broken lines shown in the Figures show portions of the collapsible drinking container that form no part of the claimed design.

1 Claim, 11 Drawing Sheets



(56)

References Cited

U.S. PATENT DOCUMENTS

D717,464 S * 11/2014 Wainwright D24/162
8,887,942 B2 * 11/2014 Miksovsky B65D 1/40
206/218
9,119,507 B2 * 9/2015 Abrams A47J 41/0022
D756,705 S * 5/2016 Abrams D7/510
D766,654 S * 9/2016 Forti D7/397
D802,349 S * 11/2017 Resic D7/300.1
D814,242 S * 4/2018 Seiders D7/523

* cited by examiner

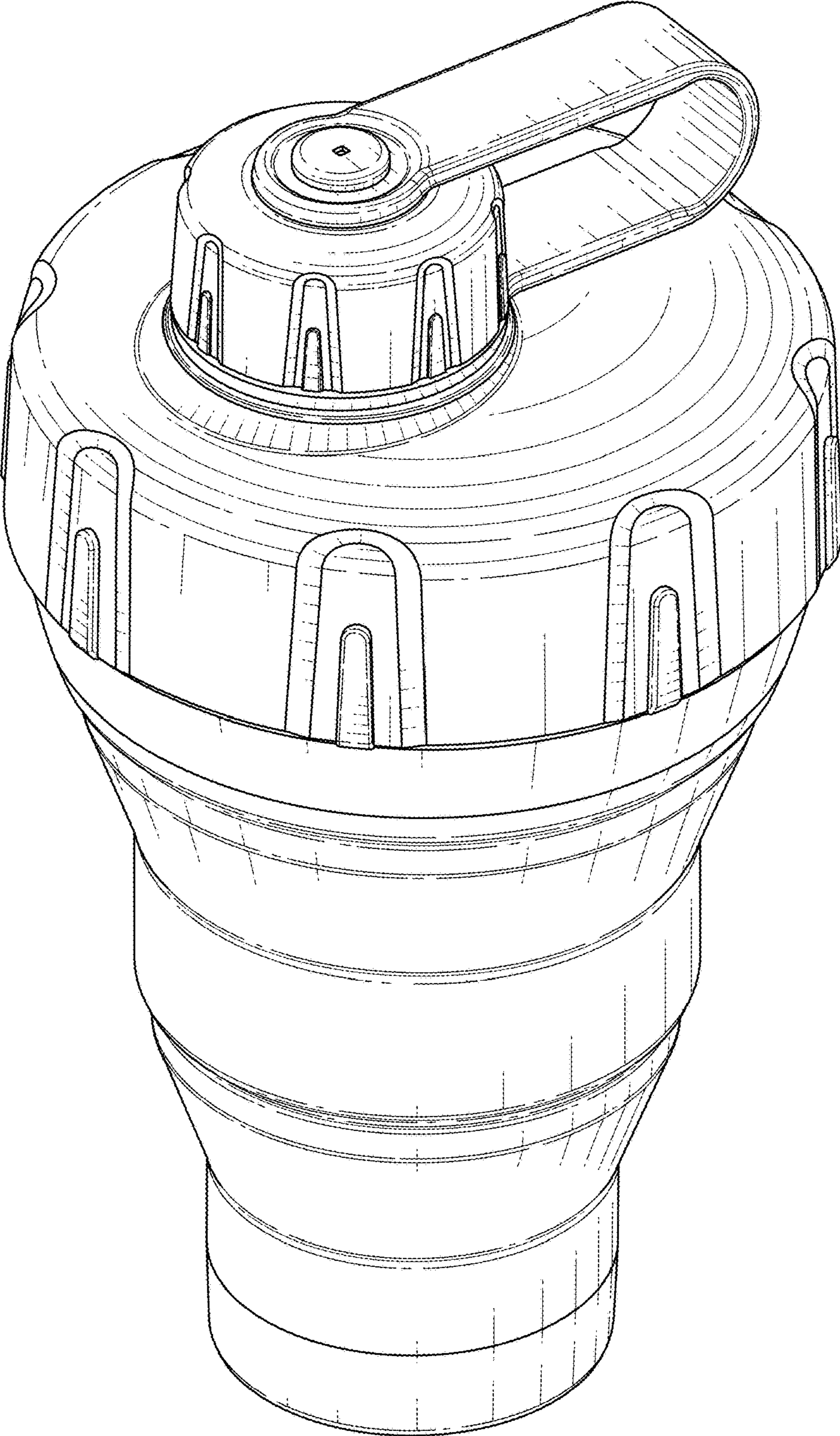


FIG. 1

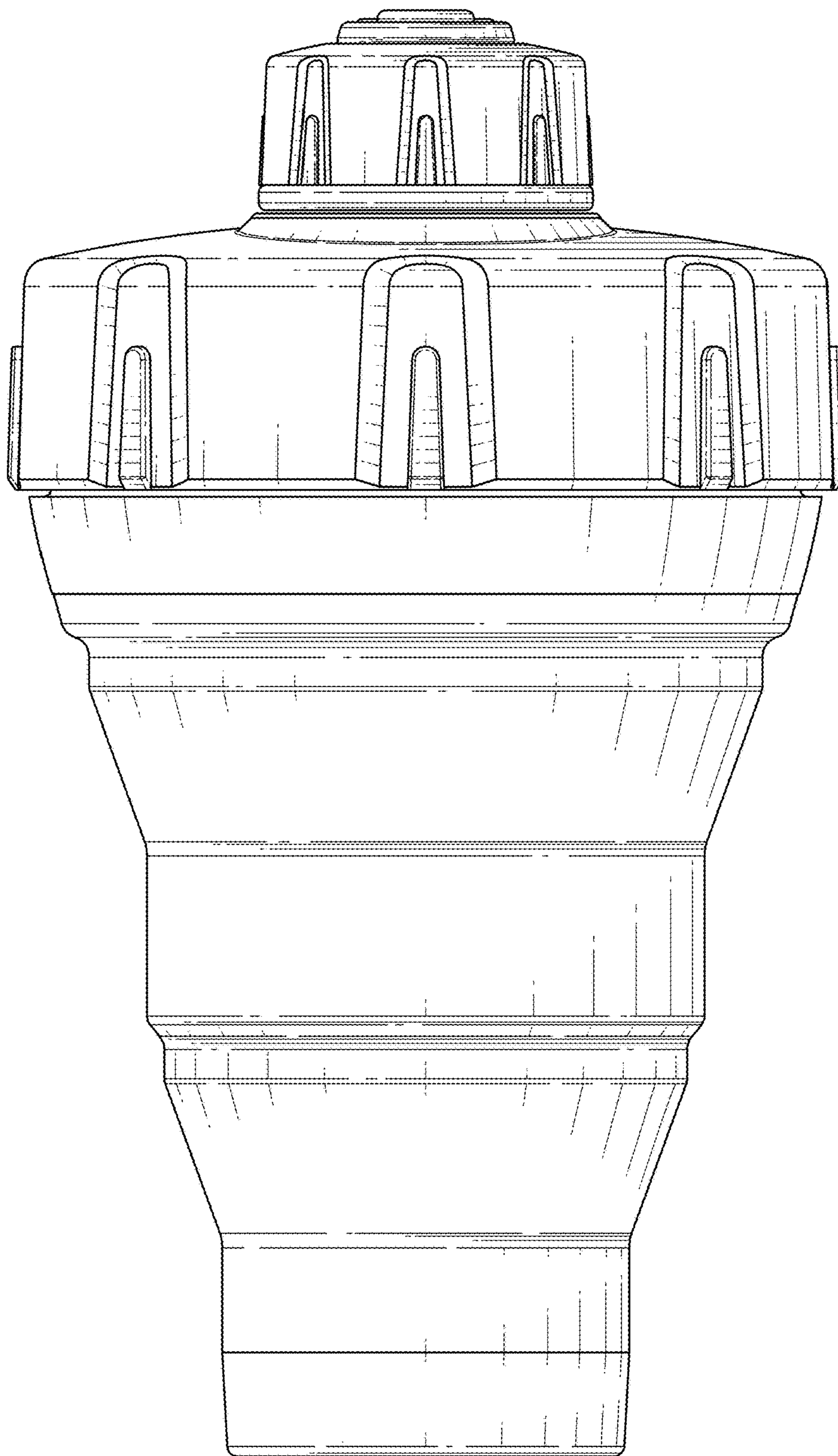


FIG. 2

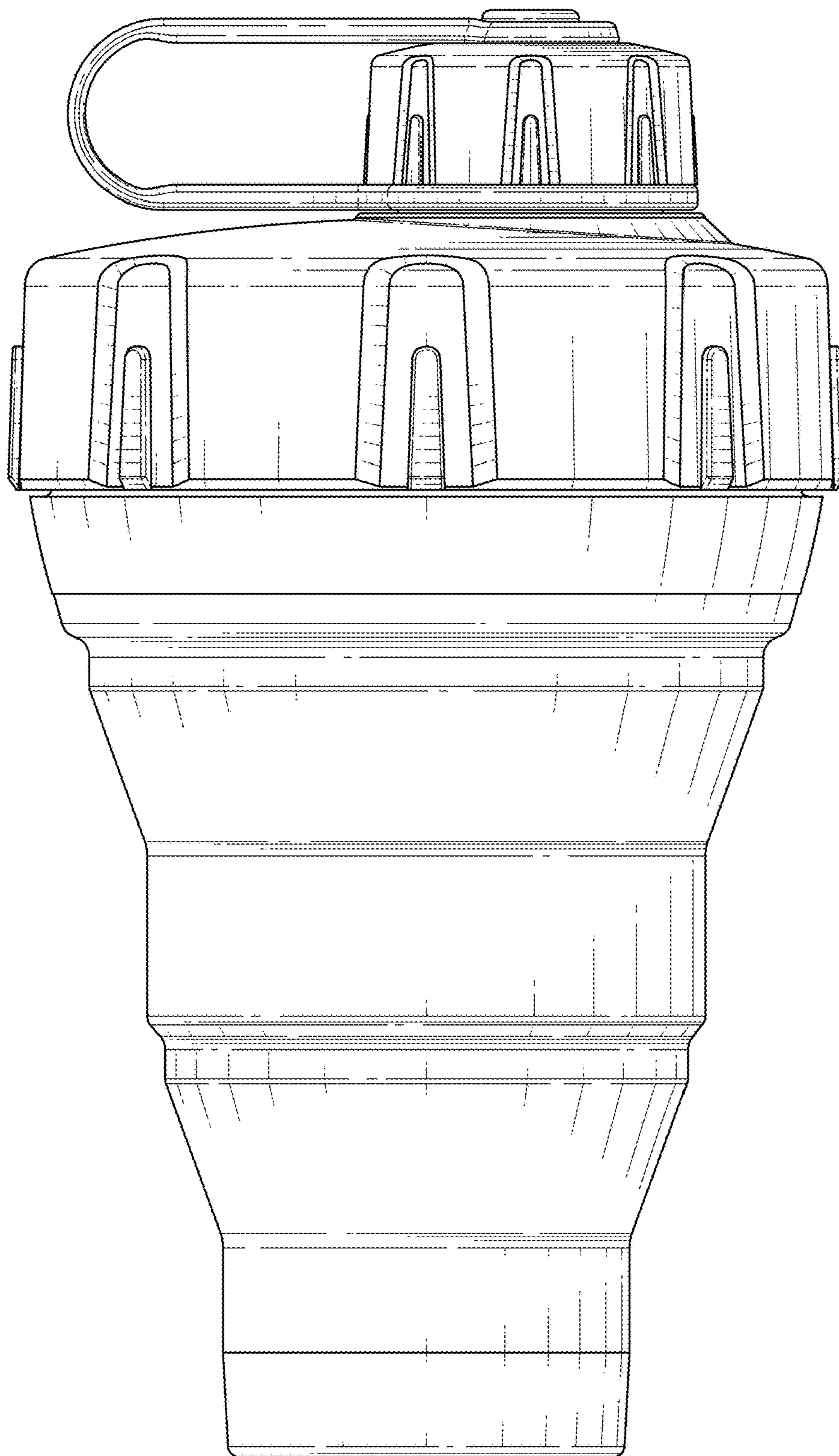


FIG. 3

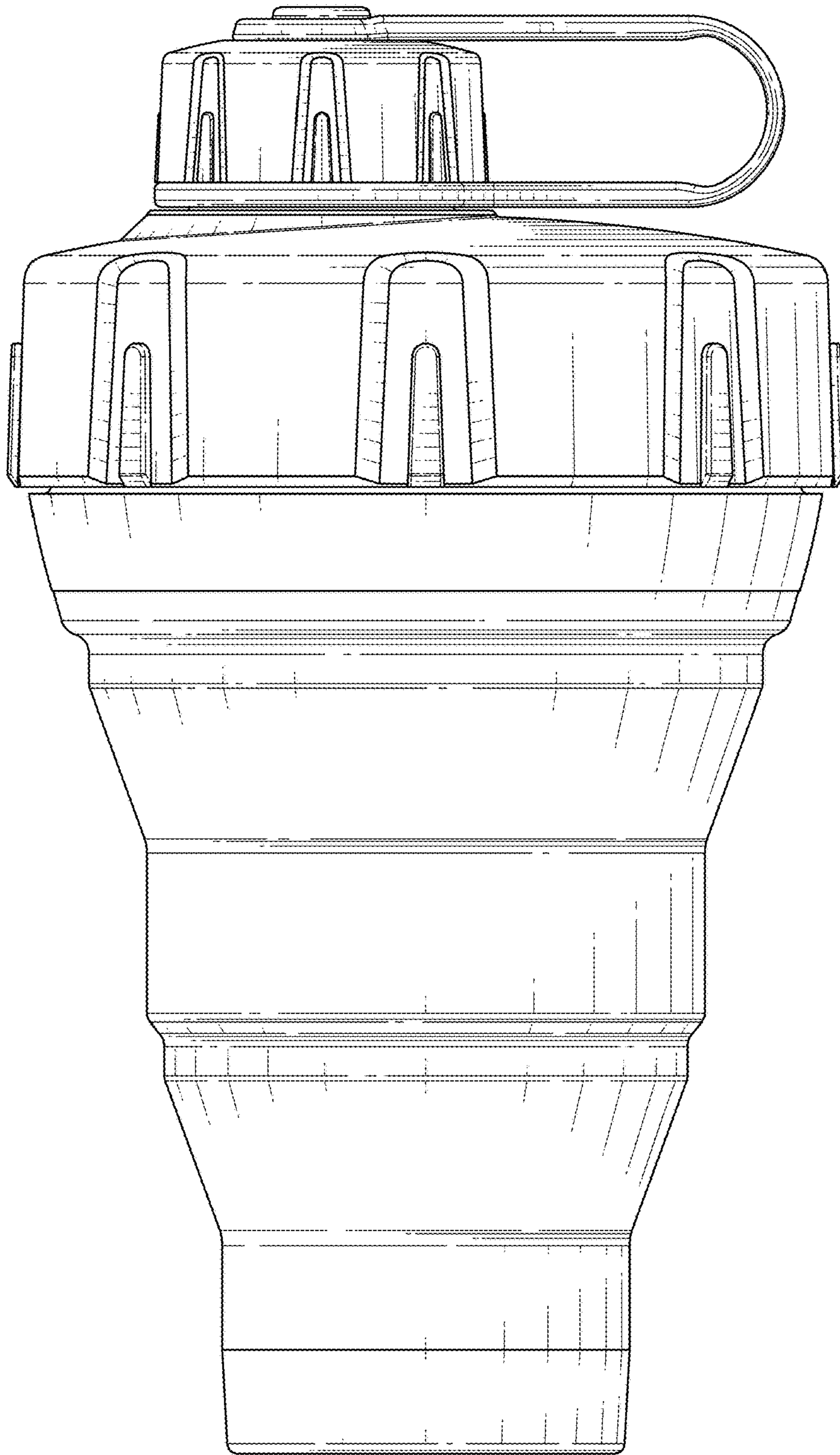


FIG. 4

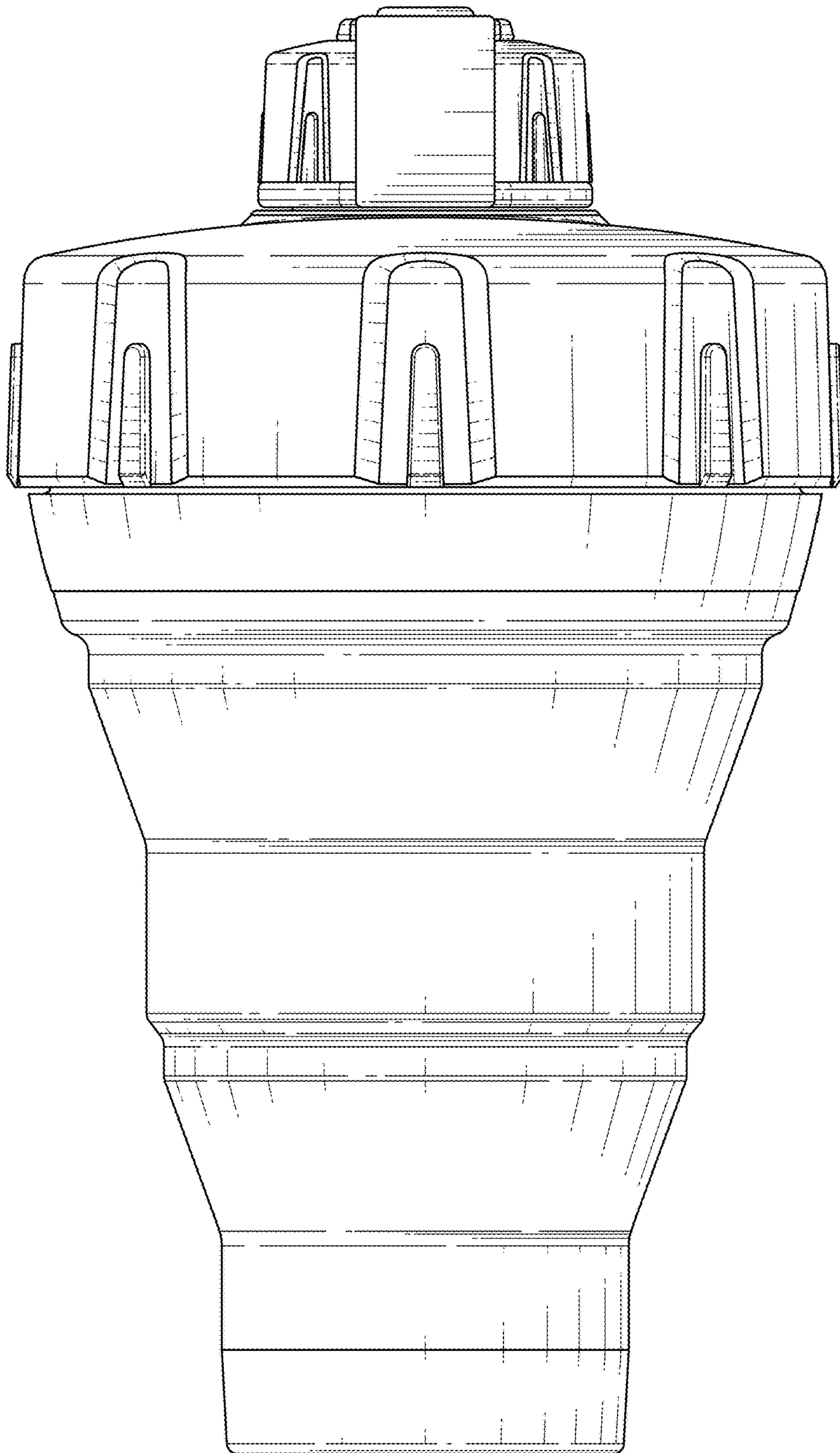


FIG. 5

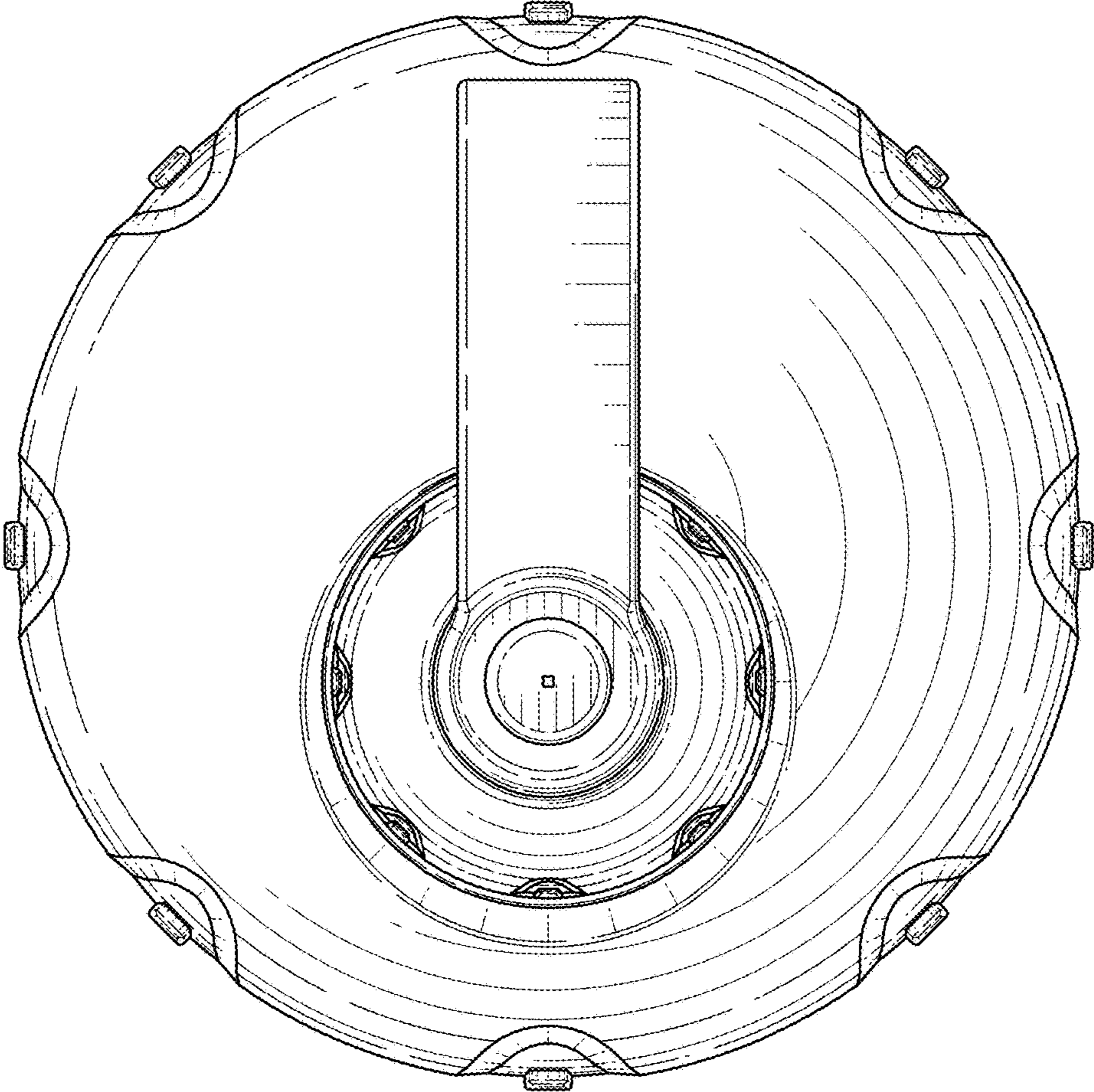


FIG. 6

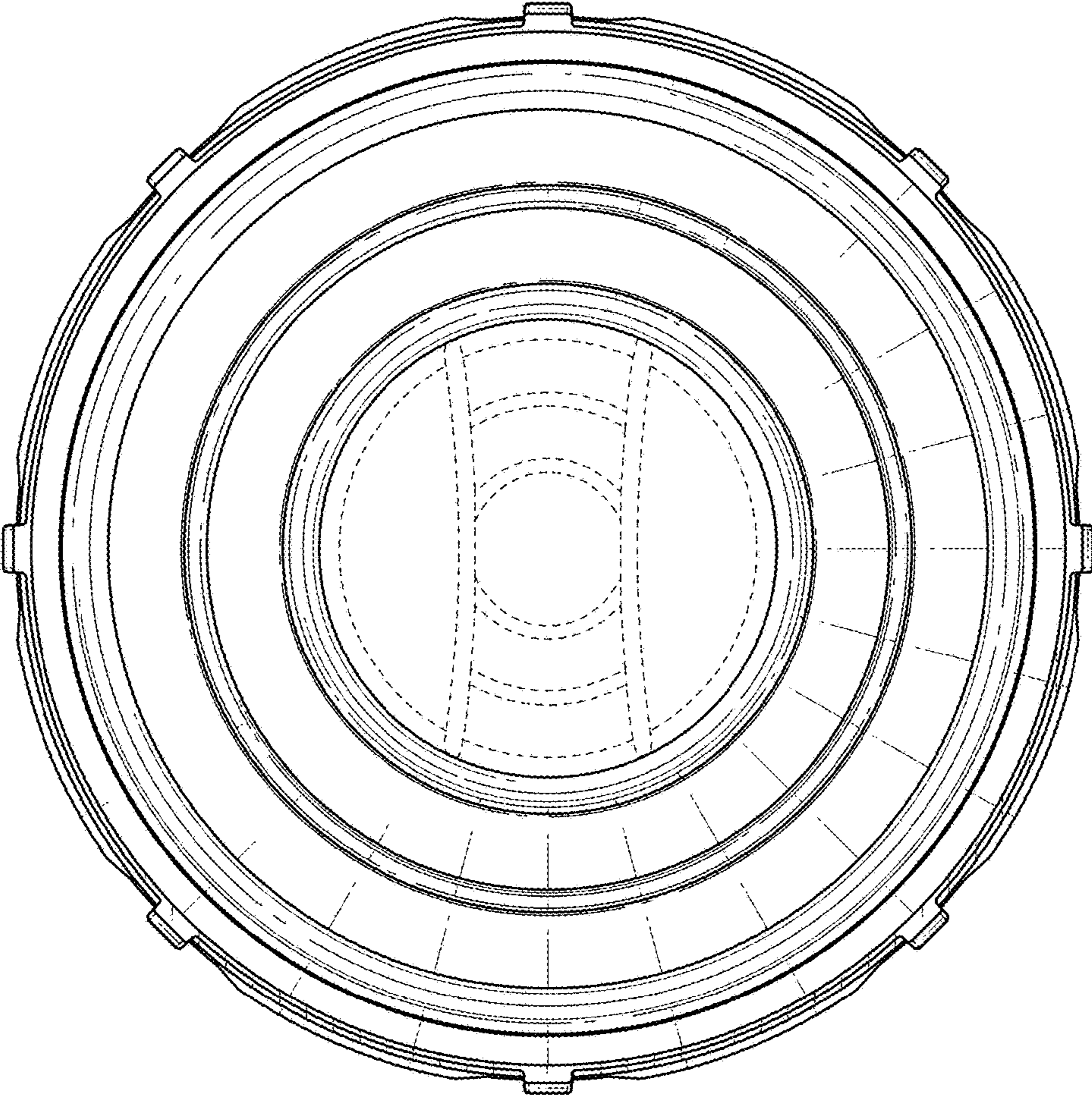


FIG. 7

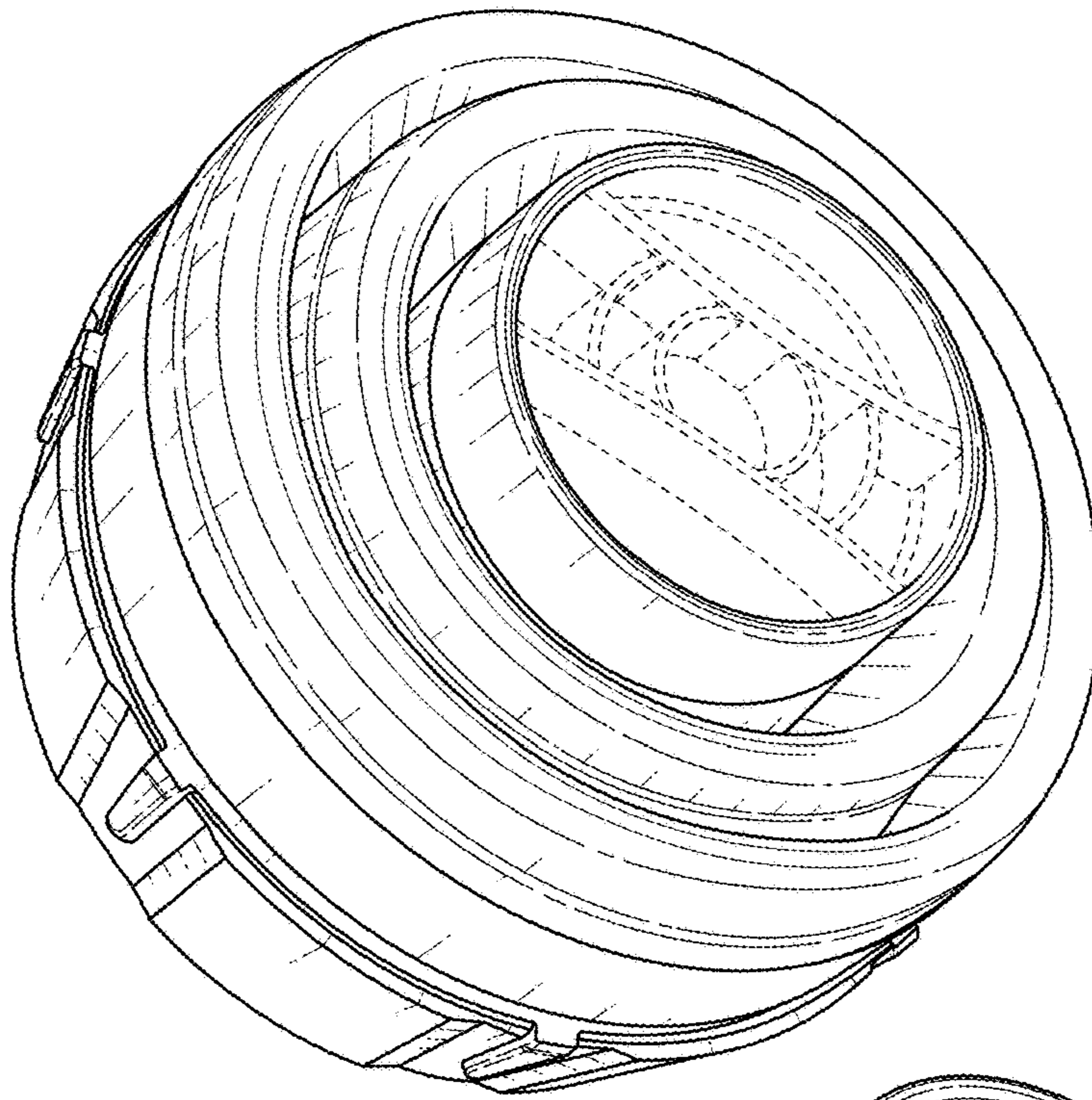


FIG. 9

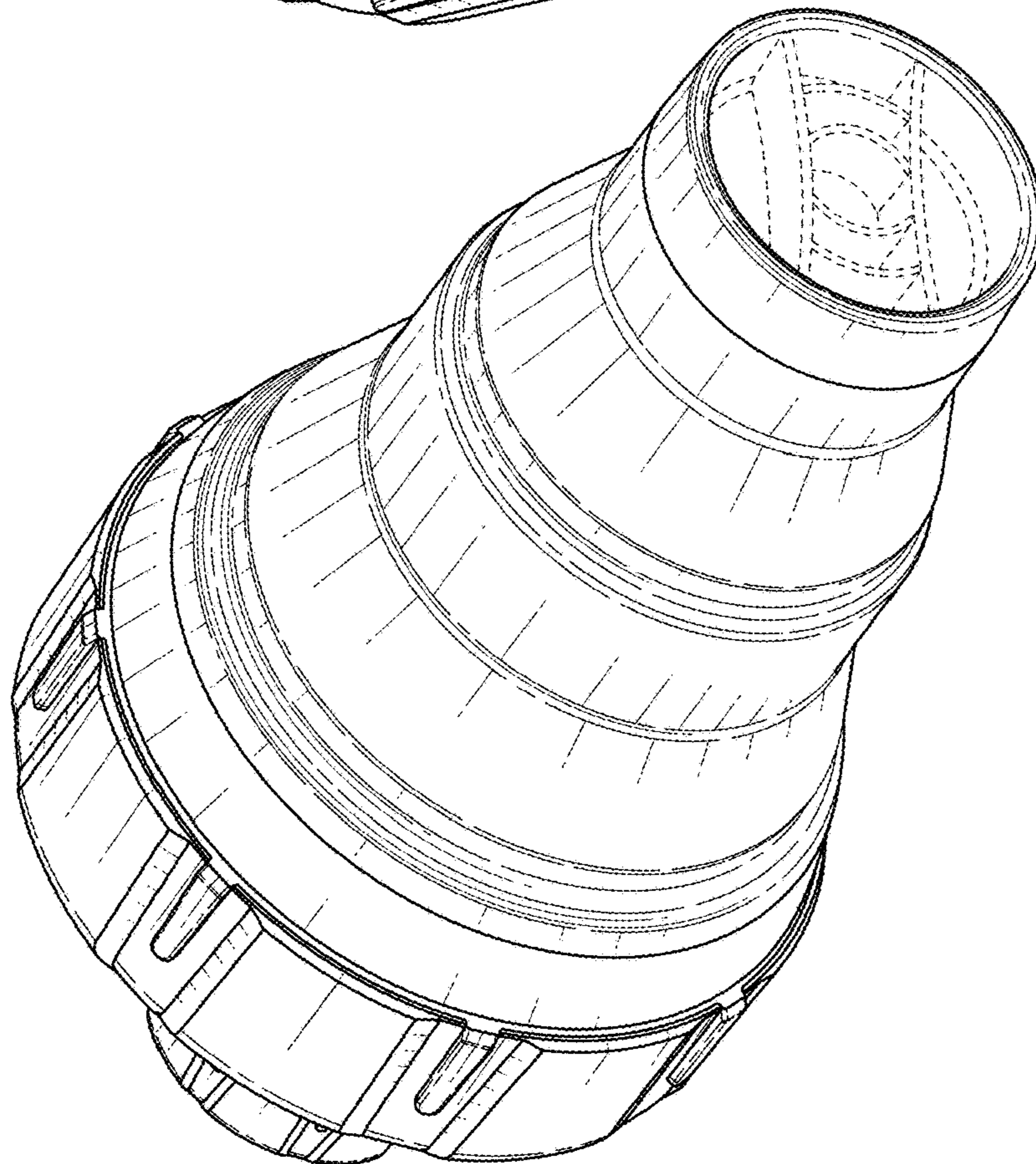


FIG. 8

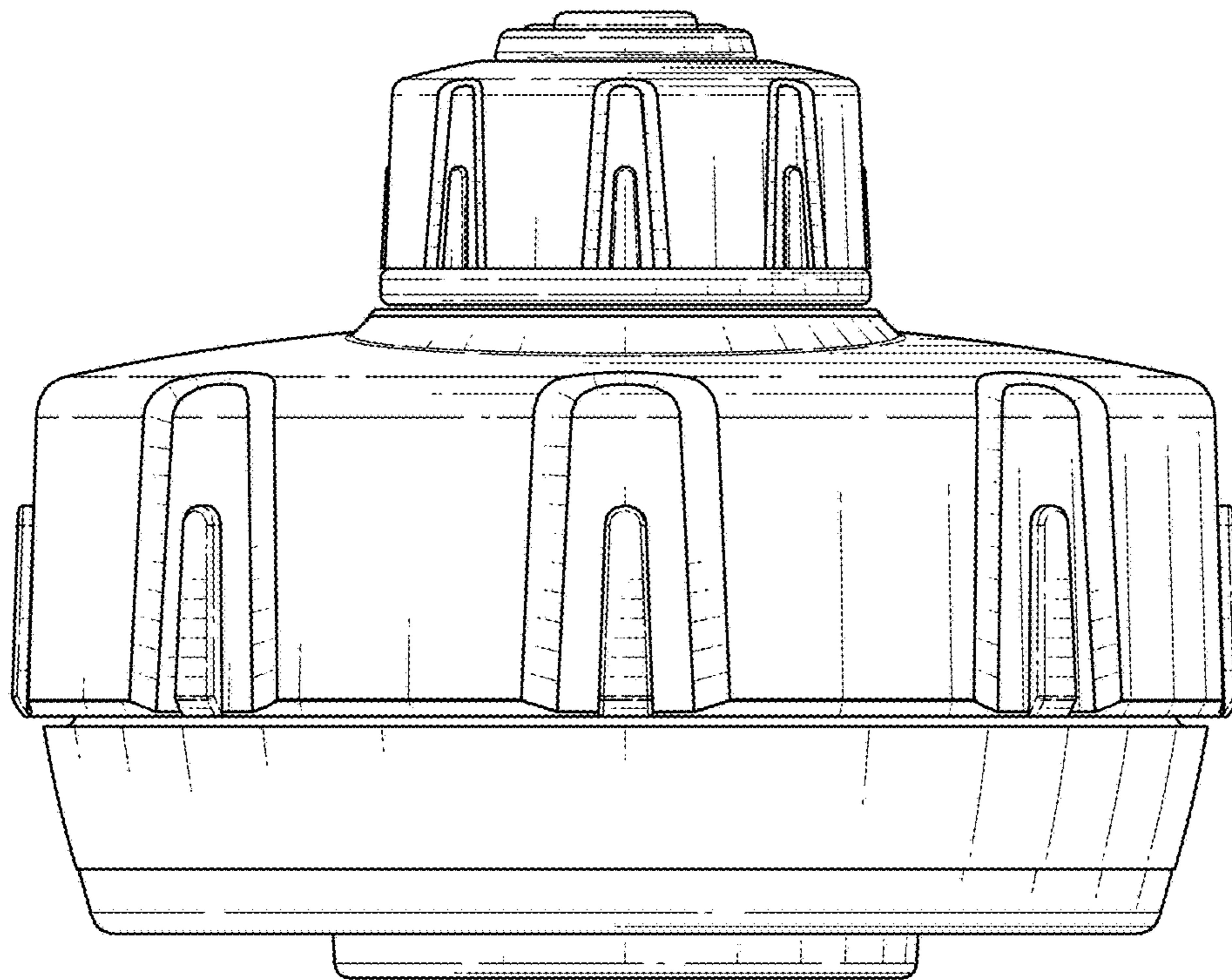


FIG. 10

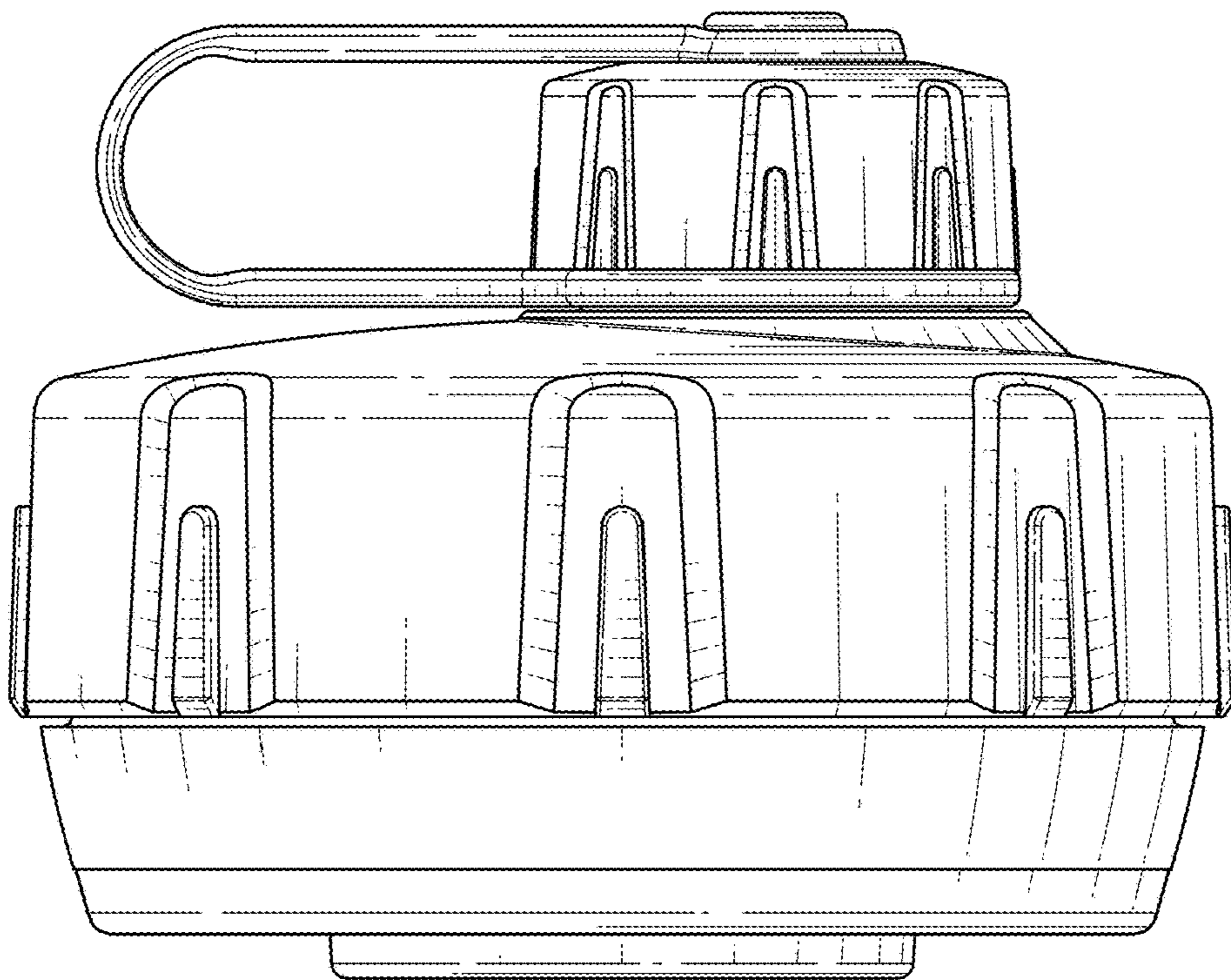


FIG. 11

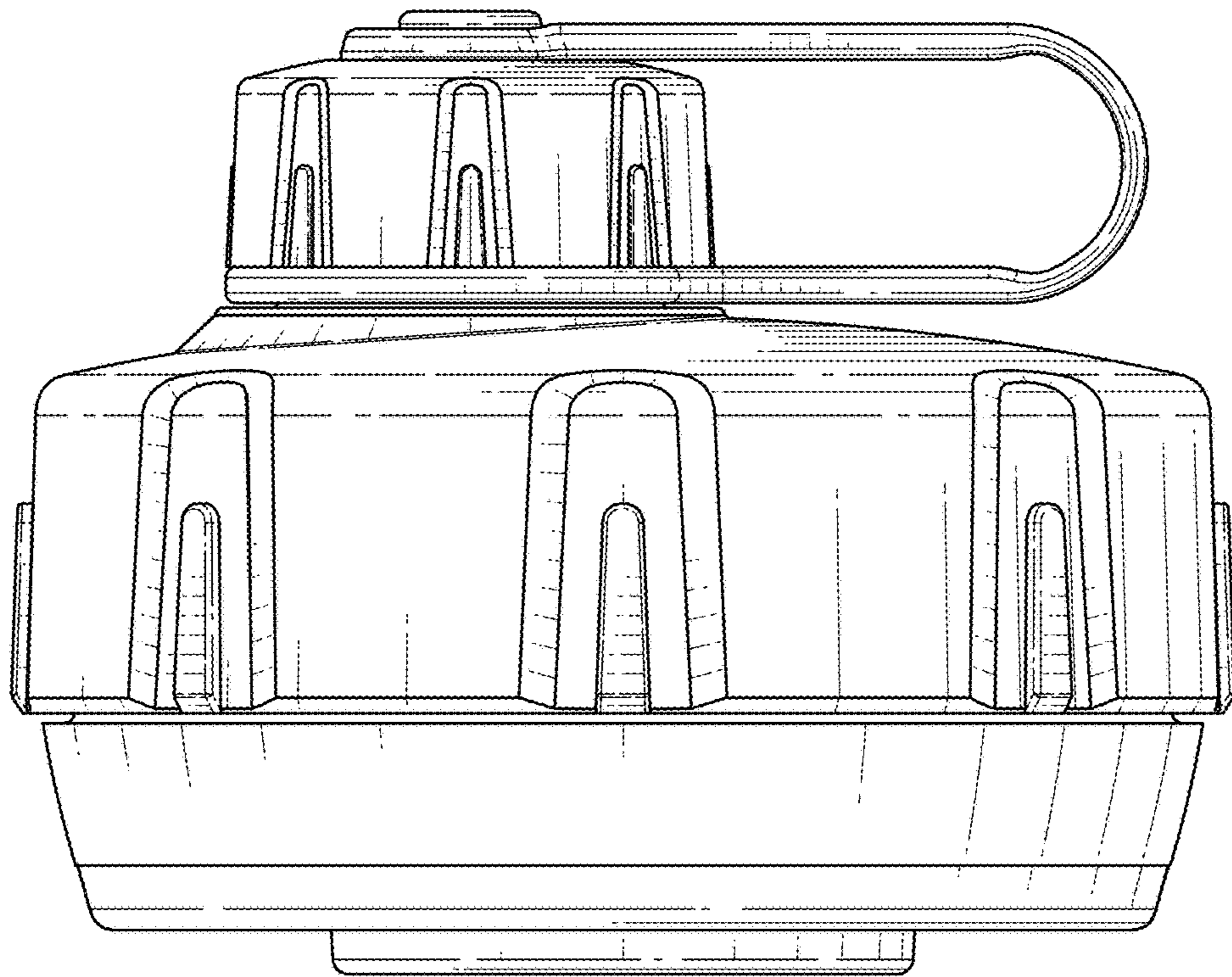


FIG. 12

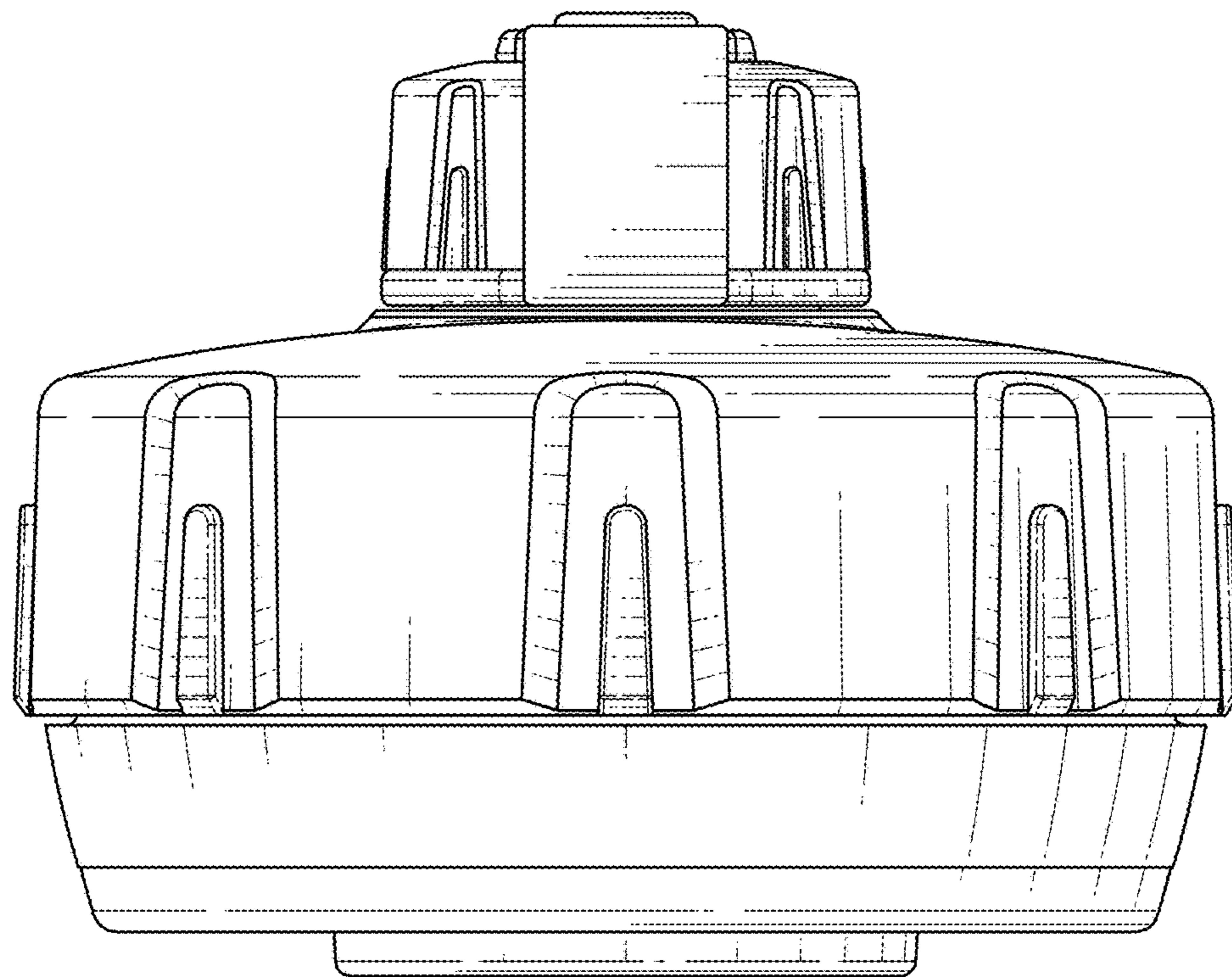


FIG. 13

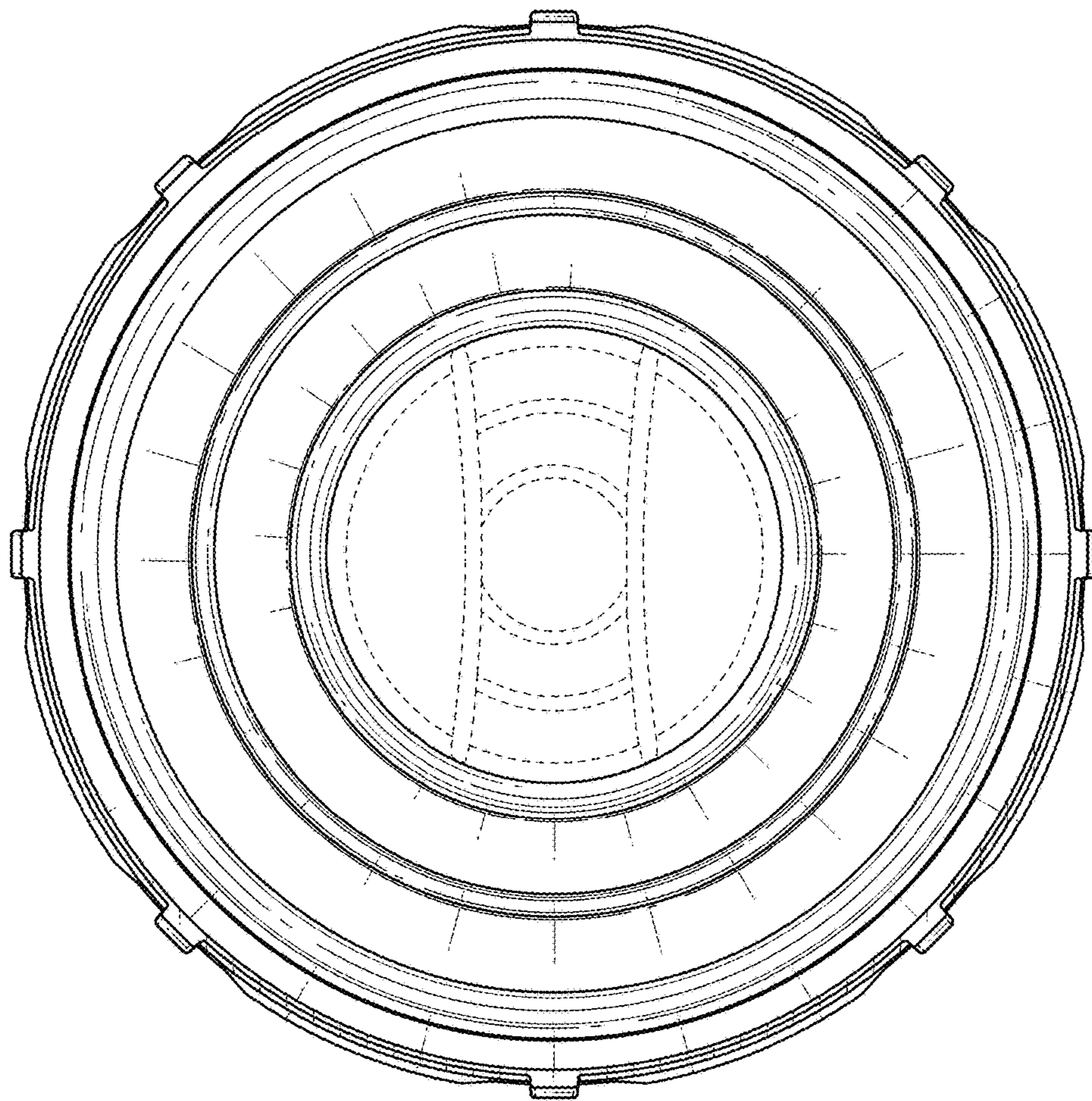


FIG. 14