



US00D832050S

(12) **United States Design Patent**
Diener et al.

(10) **Patent No.:** **US D832,050 S**
(45) **Date of Patent:** **** Oct. 30, 2018**

- (54) **MUG WITH ENCLOSURE**
- (71) Applicants: **Ryan Diener**, Bend, OR (US); **J. D. Sareault**, Bend, OR (US)
- (72) Inventors: **Ryan Diener**, Bend, OR (US); **J. D. Sareault**, Bend, OR (US)
- (73) Assignee: **HELEN OF TROY LIMITED**, St. Michael (BB)
- (**) Term: **15 Years**
- (21) Appl. No.: **29/617,812**
- (22) Filed: **Sep. 15, 2017**
- (51) **LOC (11) Cl.** **07-01**
- (52) **U.S. Cl.**
USPC **D7/510; D7/532; D7/536**
- (58) **Field of Classification Search**
USPC D7/507, 509, 510, 511, 523, 532, 533, D7/536, 524, 537, 513, 392.1, 396.2; 220/592.16, 592.17; D11/143, 144; D9/454, 440
CPC A47G 19/2205; A47G 19/2227; A47G 19/22; A47G 19/2266
See application file for complete search history.

D322,196	S	*	12/1991	Ohnuki	D7/510
D366,186	S	*	1/1996	Kato	D7/511
5,769,262	A	*	6/1998	Yamada	A47G 19/2288
						215/13.1
5,894,948	A	*	4/1999	Yeh	A47G 19/2227
						215/12.1
D427,853	S	*	7/2000	Kohlhase	D7/510
D452,155	S	*	12/2001	Stodd	D9/434
D457,036	S	*	5/2002	Manuel	D7/533
D474,068	S	*	5/2003	Fujii	D7/392.1
D480,916	S	*	10/2003	Norris	D7/532
D493,332	S	*	7/2004	Bin	D7/318
D497,079	S	*	10/2004	Paggio	D7/507
D502,050	S	*	2/2005	Munson	D7/392.1
D525,826	S	*	8/2006	Kugler	D7/392.1
D530,852	S	*	10/2006	Zheng	D27/148
D557,563	S	*	12/2007	Bodum	D7/509
D569,191	S	*	5/2008	Germany	D7/509
D570,213	S	*	6/2008	Newman	D9/447
D591,595	S	*	5/2009	Tedford, Jr.	D9/447
D592,056	S	*	5/2009	Tedford, Jr.	D9/447

(Continued)

Primary Examiner — Marianne N Pandozzi
Assistant Examiner — Jae Liang

(57) **CLAIM**

The ornamental design for a mug with enclosure, as shown, and described.

DESCRIPTION

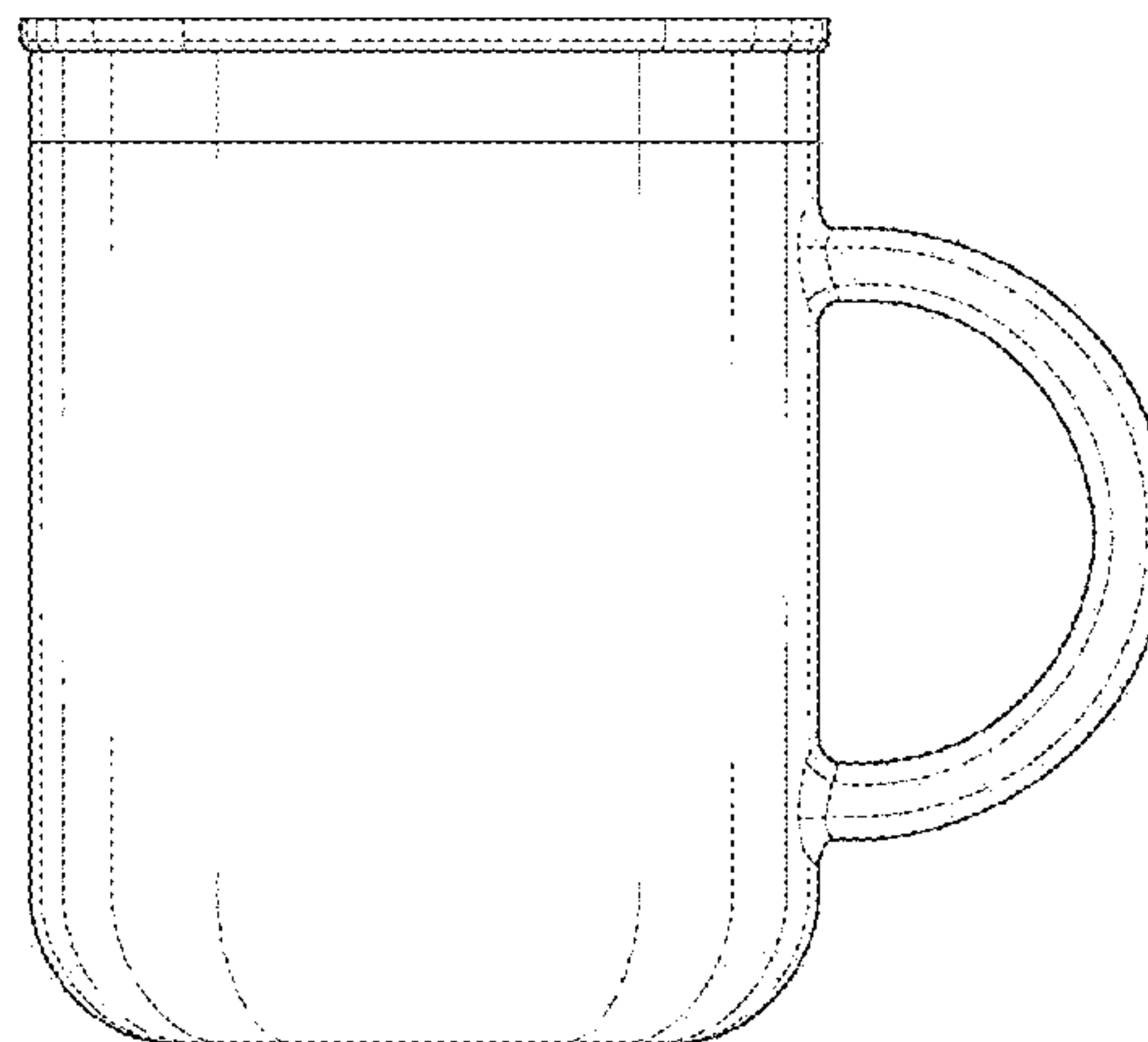
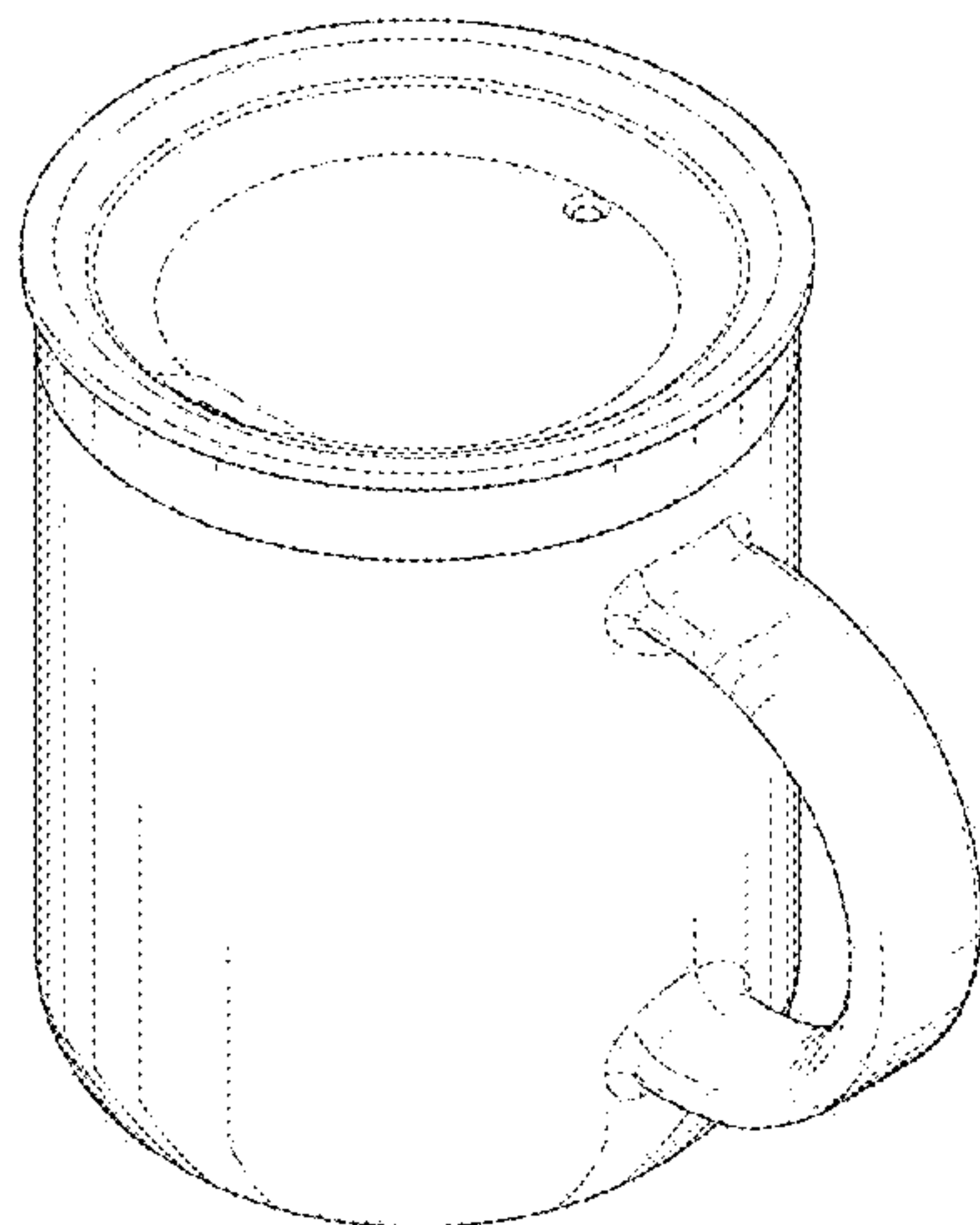
FIG. 1 is a perspective view of a mug with enclosure showing my new design;
FIG. 2 is a left side view thereof, the right side view being a mirror image thereof;
FIG. 3 is a front elevational view thereof;
FIG. 4 is a rear elevational view thereof;
FIG. 5 is a top view thereof; and,
FIG. 6 is a bottom view thereof.
The broken lines in the drawings depict portions of the mug with enclosure that form no part of the claimed design.

1 Claim, 6 Drawing Sheets

(56) **References Cited**

U.S. PATENT DOCUMENTS

1,627,050	A	*	5/1927	Moore	A47G 19/02
						220/574
4,322,008	A	*	3/1982	Schneider	A47G 19/2233
						215/371
D288,891	S	*	3/1987	Saito	D7/391
4,782,670	A	*	11/1988	Long	A47G 19/2288
						165/80.5
4,928,412	A	*	5/1990	Nishiyama	A47G 19/2227
						40/324
D309,553	S	*	7/1990	Daenen	D7/591



(56)

References Cited

U.S. PATENT DOCUMENTS

D596,455	S	*	7/2009	Laib	D7/392.1
D629,298	S	*	12/2010	Wong	D9/447
D653,109	S	*	1/2012	Stammen	B65D 17/163
						D9/438
D658,057	S	*	4/2012	Donat	D9/447
D677,159	S	*	3/2013	Sina	D7/392.1
D684,428	S	*	6/2013	Spencer	D7/507
D719,785	S	*	12/2014	Grcic	D7/536
D752,978	S	*	4/2016	Zabeleta	D9/454
D753,999	S	*	4/2016	Crosby	D9/447
D762,475	S	*	8/2016	Turner	D9/434
D765,471	S	*	9/2016	Gorbold	D7/509
D767,329	S	*	9/2016	Mock	D7/392.1
D784,072	S	*	4/2017	Baron	D7/392.1
D786,673	S	*	5/2017	Moffat	D7/392.1
D787,888	S	*	5/2017	Joseph	D7/510
D804,909	S	*	12/2017	Cotnoir	D7/529
D808,727	S	*	1/2018	Bo	D7/532
D811,811	S	*	3/2018	Wachter	D7/392.1
D814,243	S	*	4/2018	Pape	D7/536
2004/0149763	A1	*	8/2004	Chen	A47G 7/06
						220/703
2014/0339246	A1	*	11/2014	Arseneau	B25G 1/102
						220/755

* cited by examiner

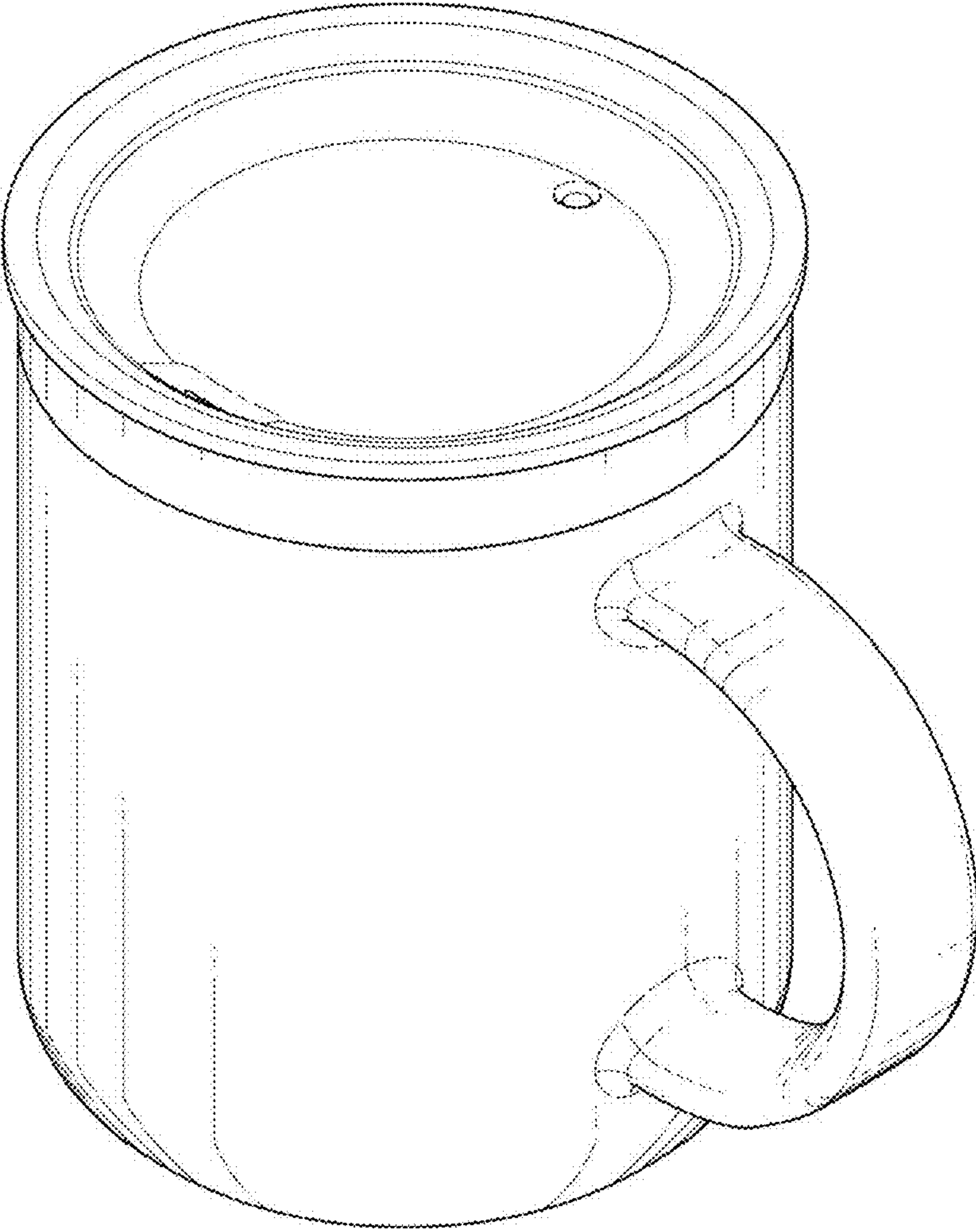


FIG. 1

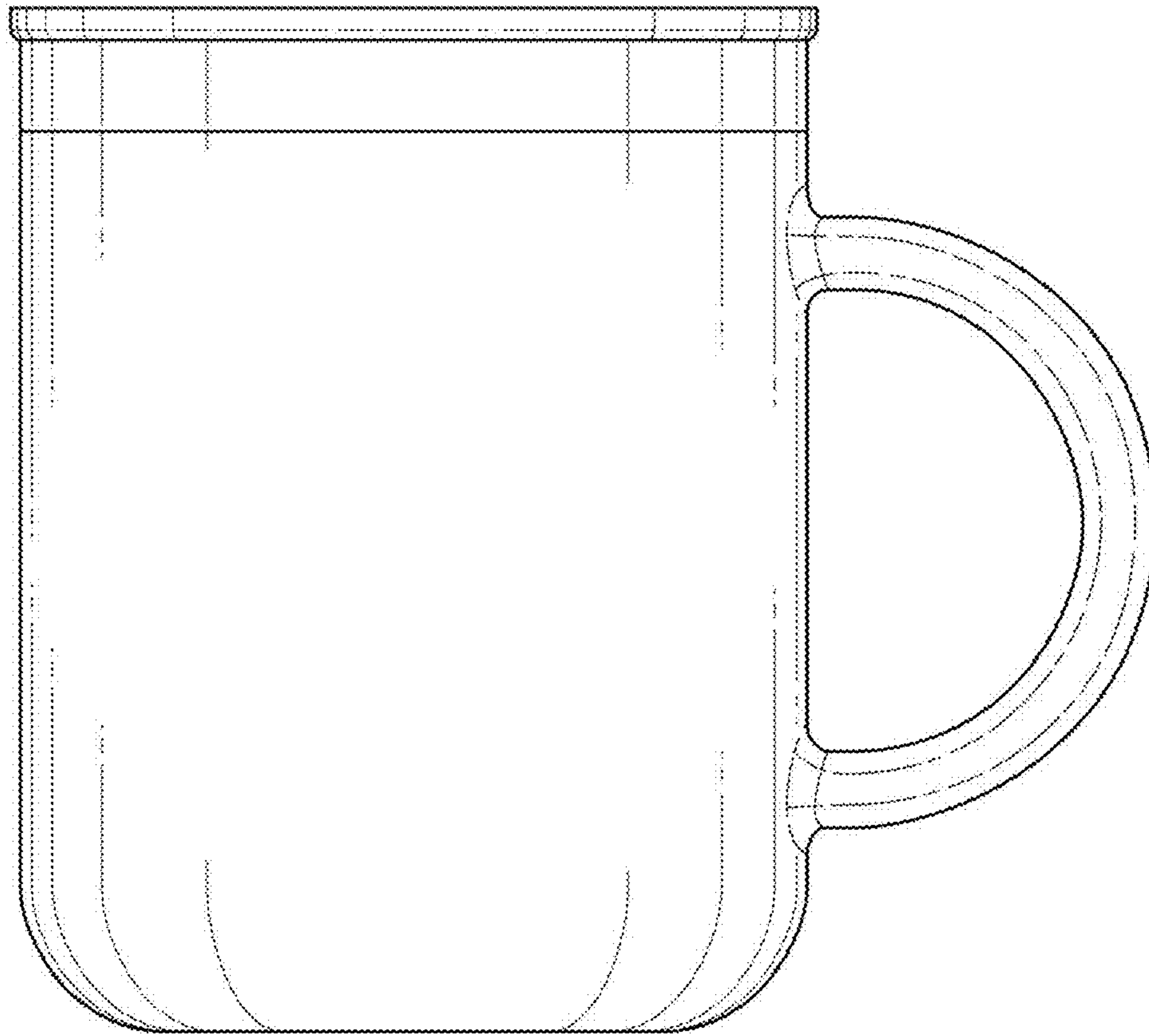


FIG. 2

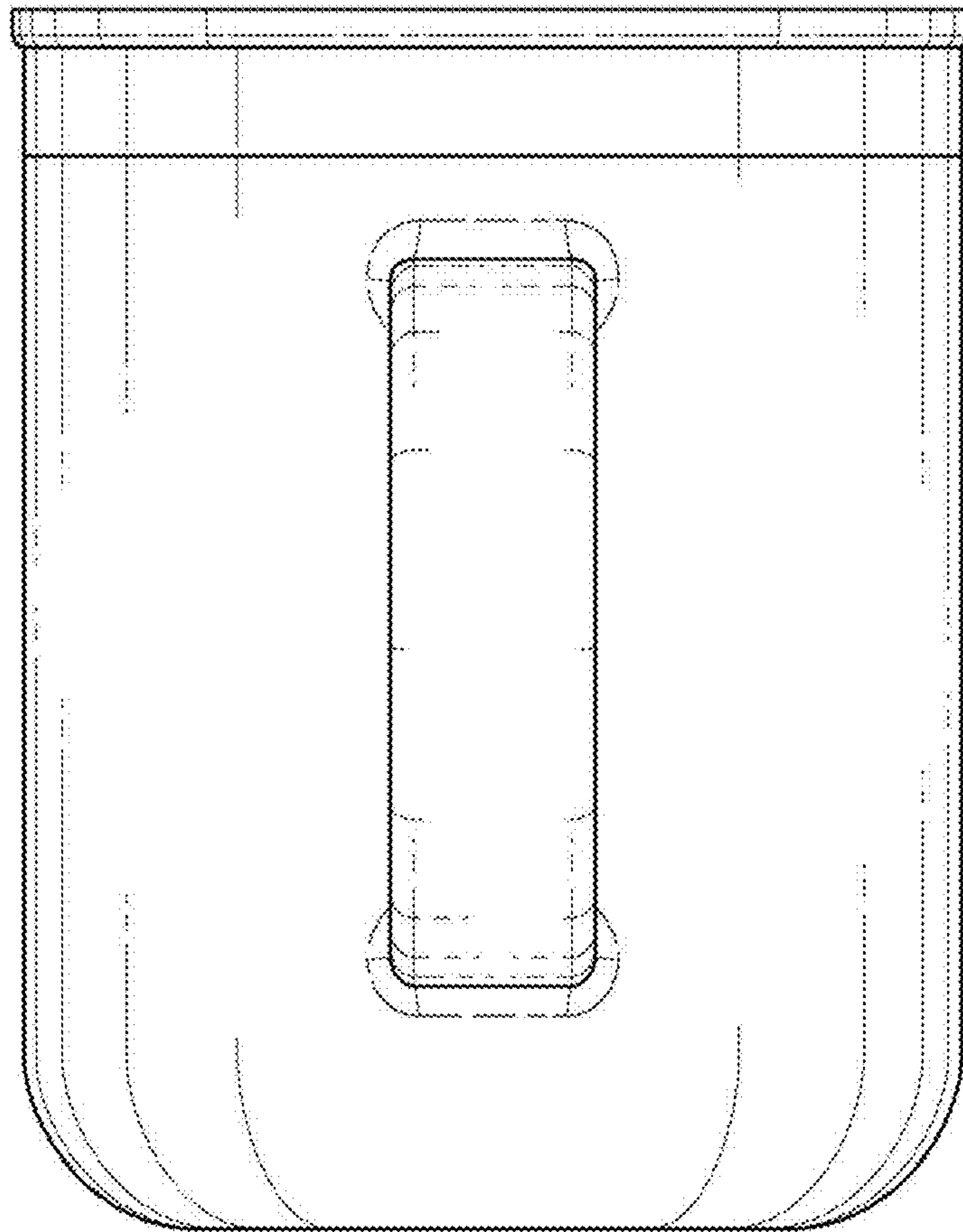


FIG. 3

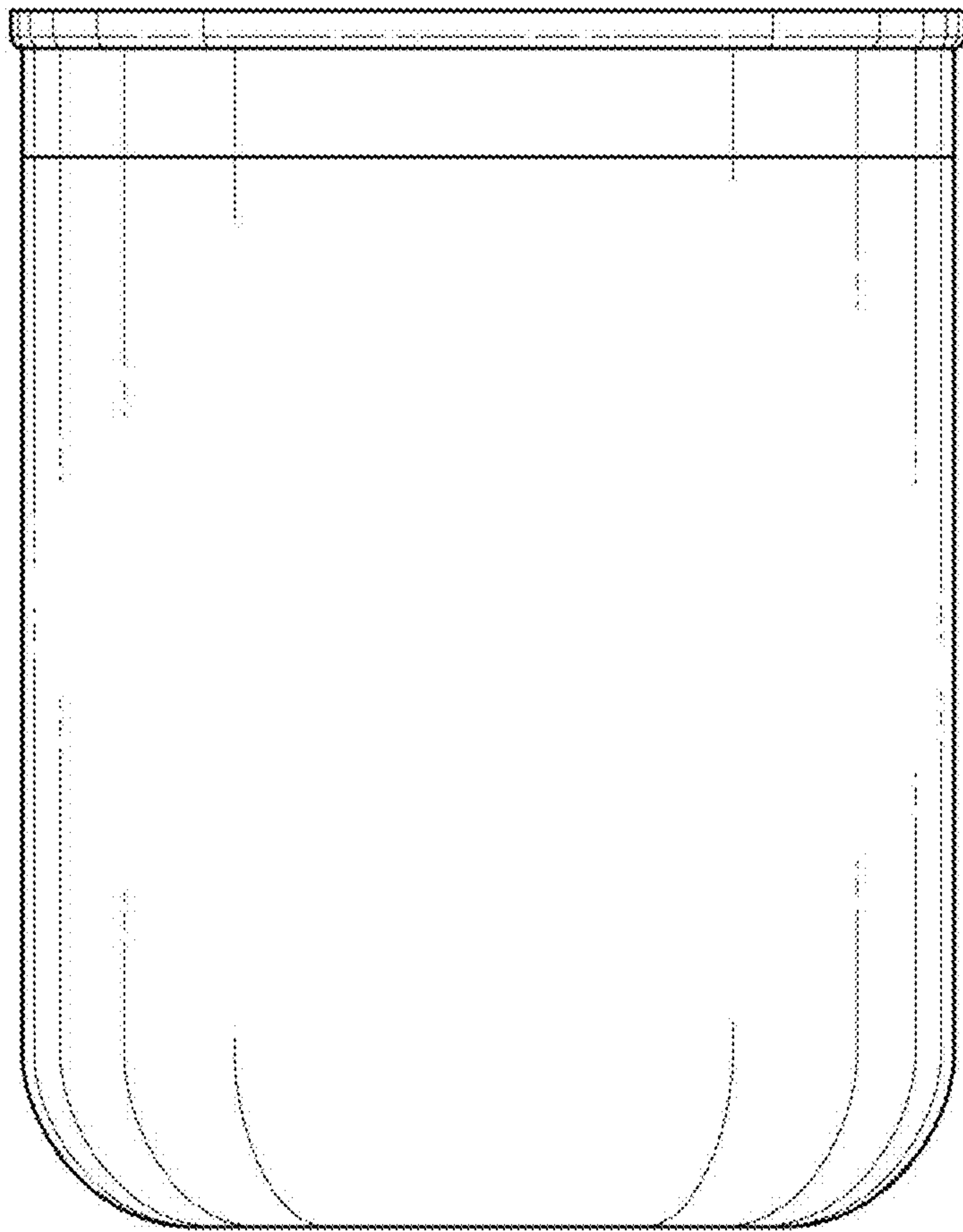


FIG. 4

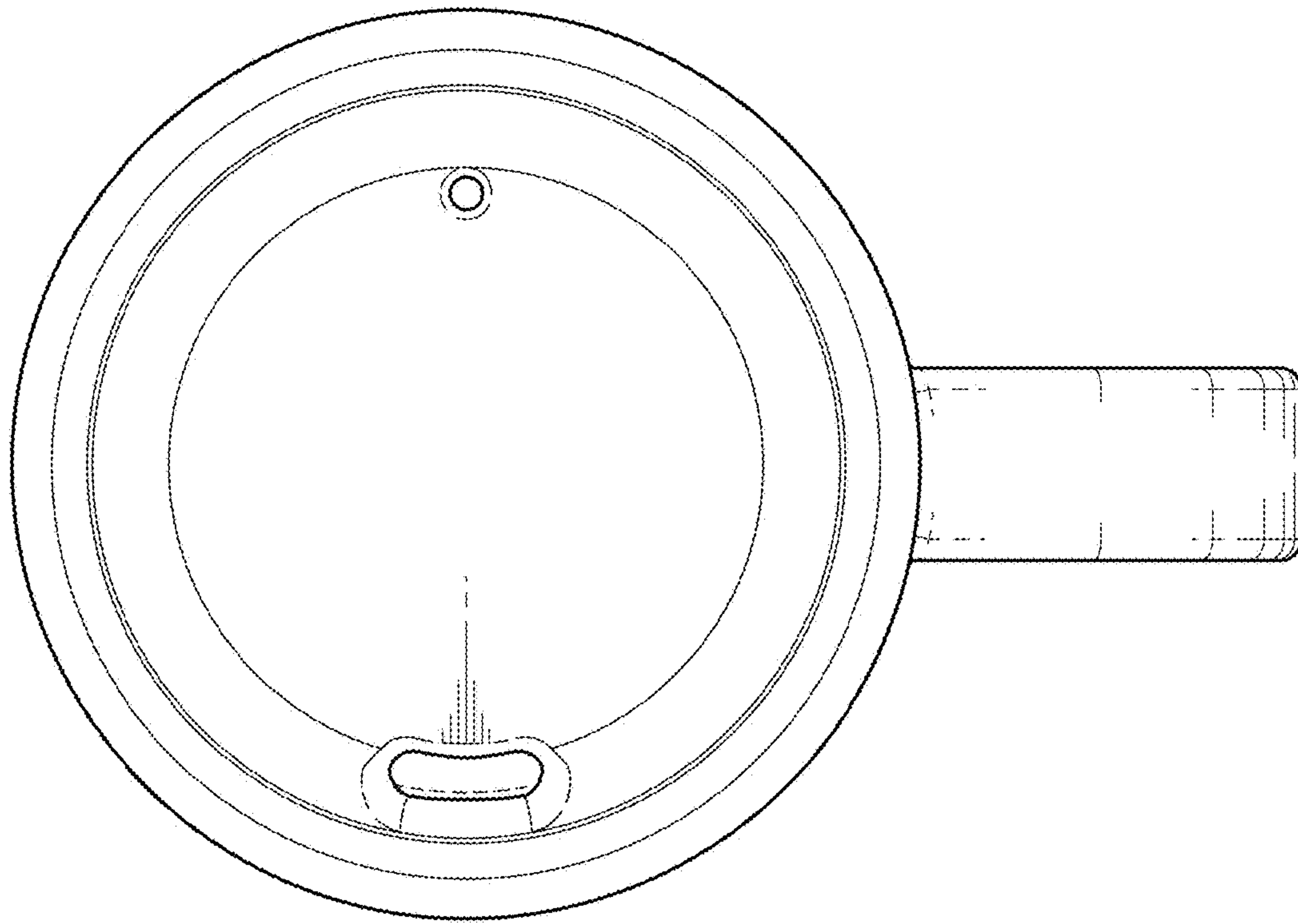


FIG. 5

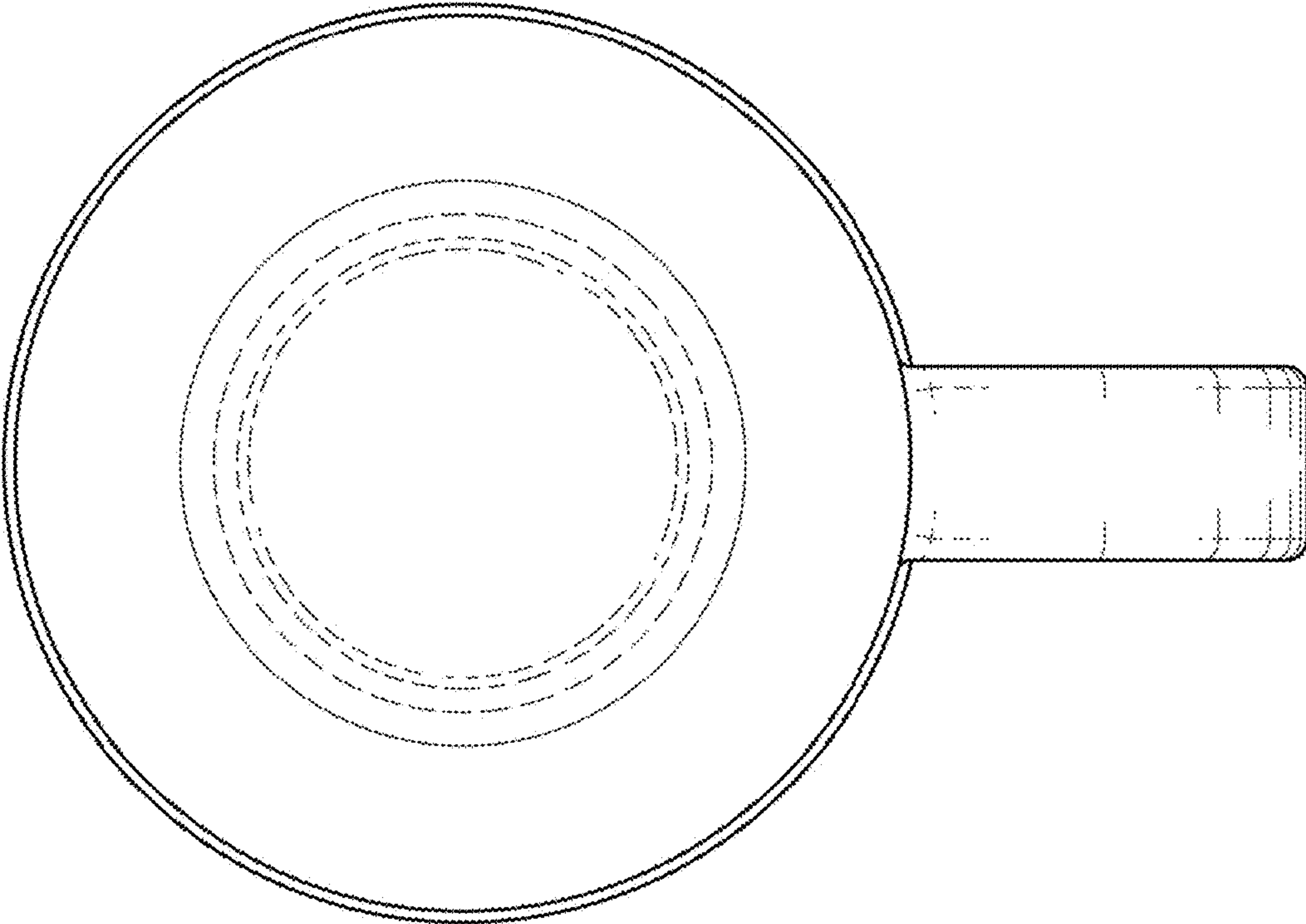


FIG. 6